



US00D513426S

(12) **United States Design Patent**
Chen

(10) **Patent No.:** **US D513,426 S**
(45) **Date of Patent:** **** Jan. 3, 2006**

(54) **WATER SPRAY GUN**

6,540,163 B1 * 4/2003 Huang 239/587.5
D479,302 S * 9/2003 Chen D23/213
D499,790 S * 12/2004 Chen D23/223

(75) Inventor: **Chin-Yuan Chen**, Changhua Hsien
(TW)

* cited by examiner

(73) Assignee: **Shin Tai Spurt Water of the Garden
Tools Co., Ltd.**, Lu Kang Chen (TW)

Primary Examiner—Robin V. Taylor
(74) *Attorney, Agent, or Firm*—Alan D. Kamrath; Nikolai
& Mersereau, P.A.

(**) Term: **14 Years**

(57) **CLAIM**

(21) Appl. No.: **29/211,478**

The ornamental design for a water spray gun, as shown and
described.

(22) Filed: **Aug. 17, 2004**

(51) **LOC (8) Cl.** **23-01**

(52) **U.S. Cl.** **D23/223**

(58) **Field of Classification Search** D23/213,
D23/223, 226; 239/526, 532
See application file for complete search history.

DESCRIPTION

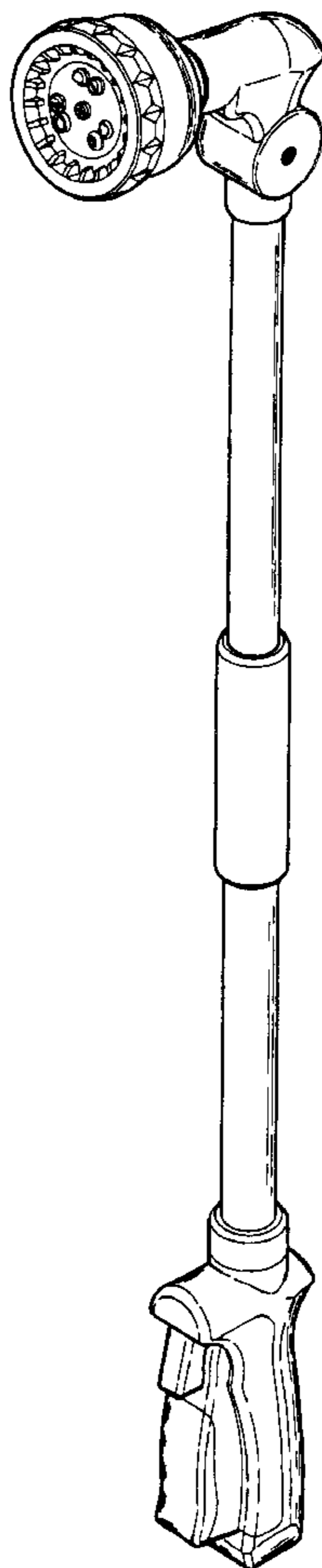
FIG. 1 is a perspective view of a water spray gun showing
my design;
FIG. 2 is a front elevational view thereof;
FIG. 3 is a rear elevational view thereof;
FIG. 4 is a right side elevational view thereof;
FIG. 5 is a left side elevational view thereof;
FIG. 6 is a top plan view thereof; and,
FIG. 7 is a bottom plan view thereof.

(56) **References Cited**

U.S. PATENT DOCUMENTS

D353,874 S * 12/1994 Clivio D23/213
D433,099 S * 10/2000 Chao D23/226
D472,959 S * 4/2003 Alkalay et al. D23/223

1 Claim, 6 Drawing Sheets



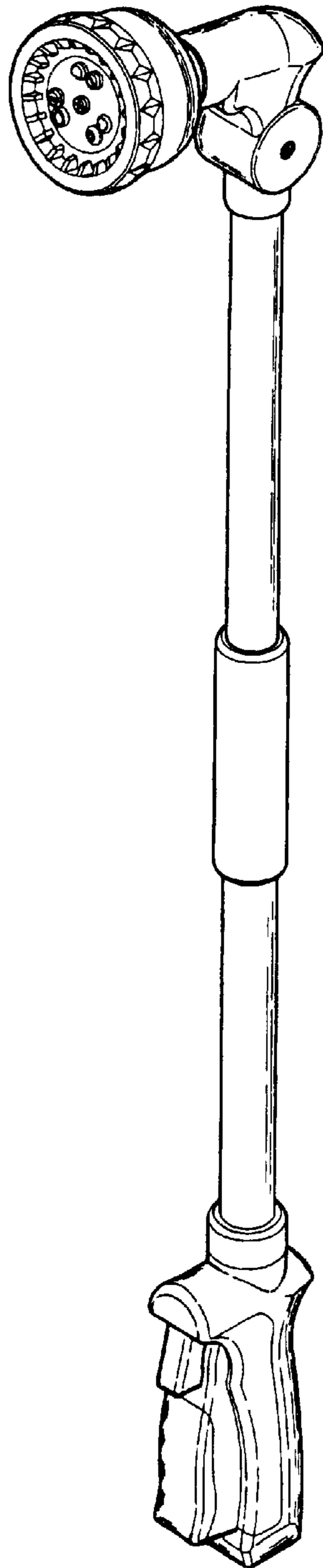


FIG. 1

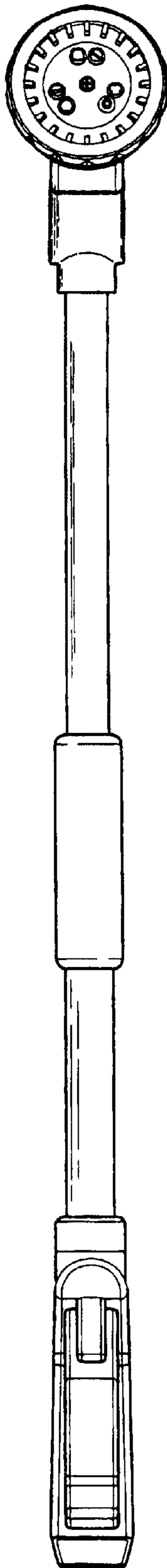


FIG. 2

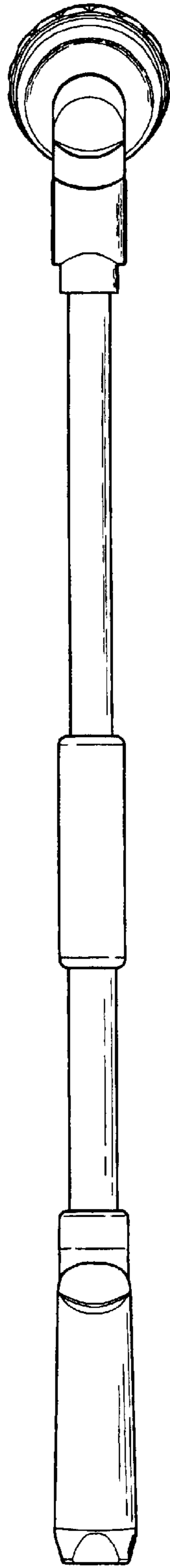


FIG. 3

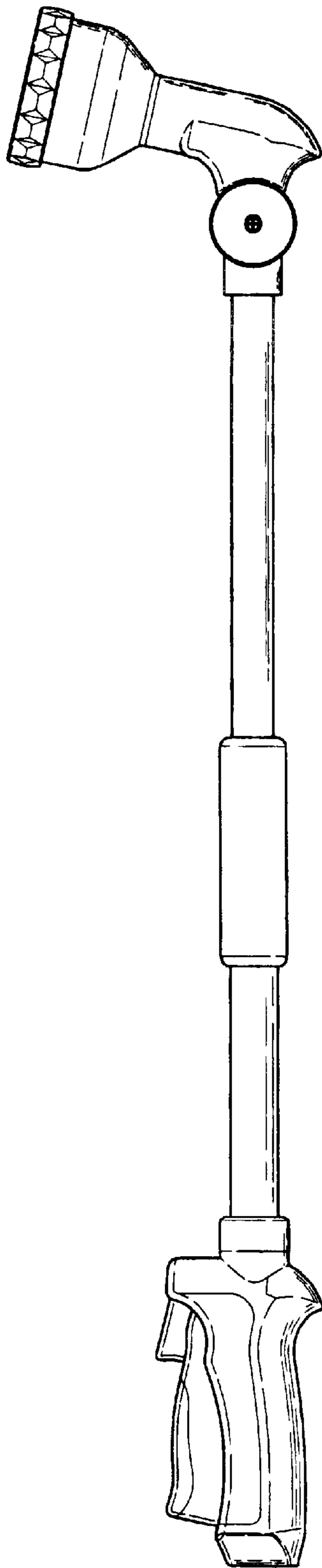


FIG. 4

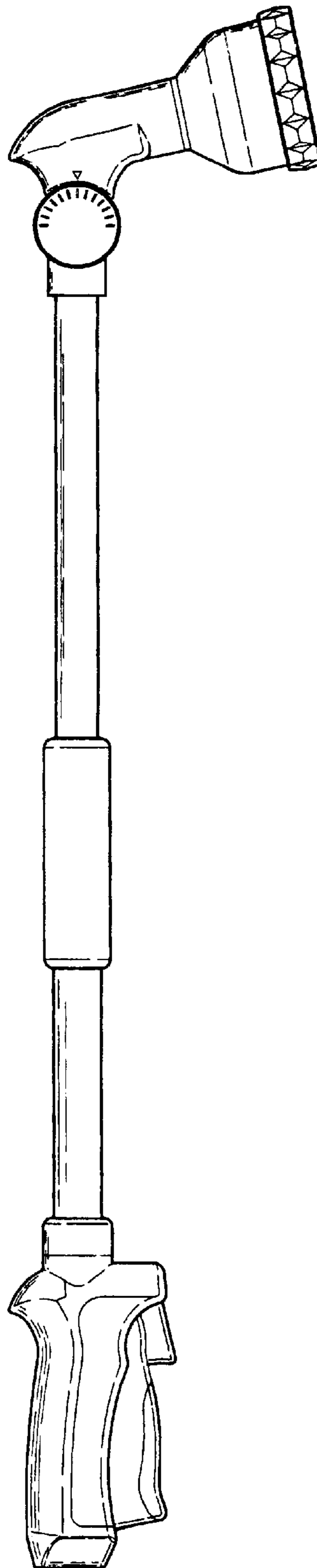


FIG. 5

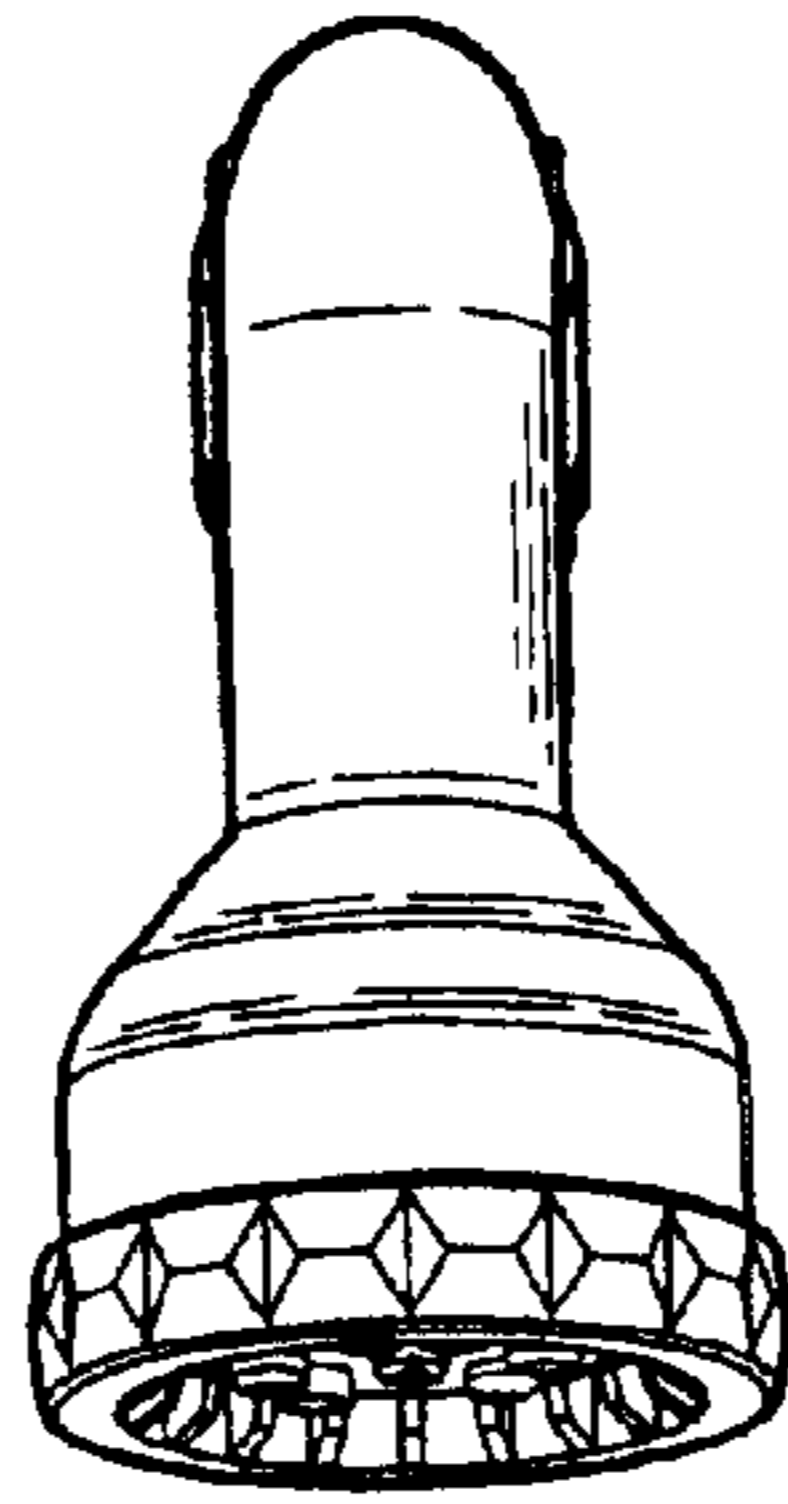


FIG. 6

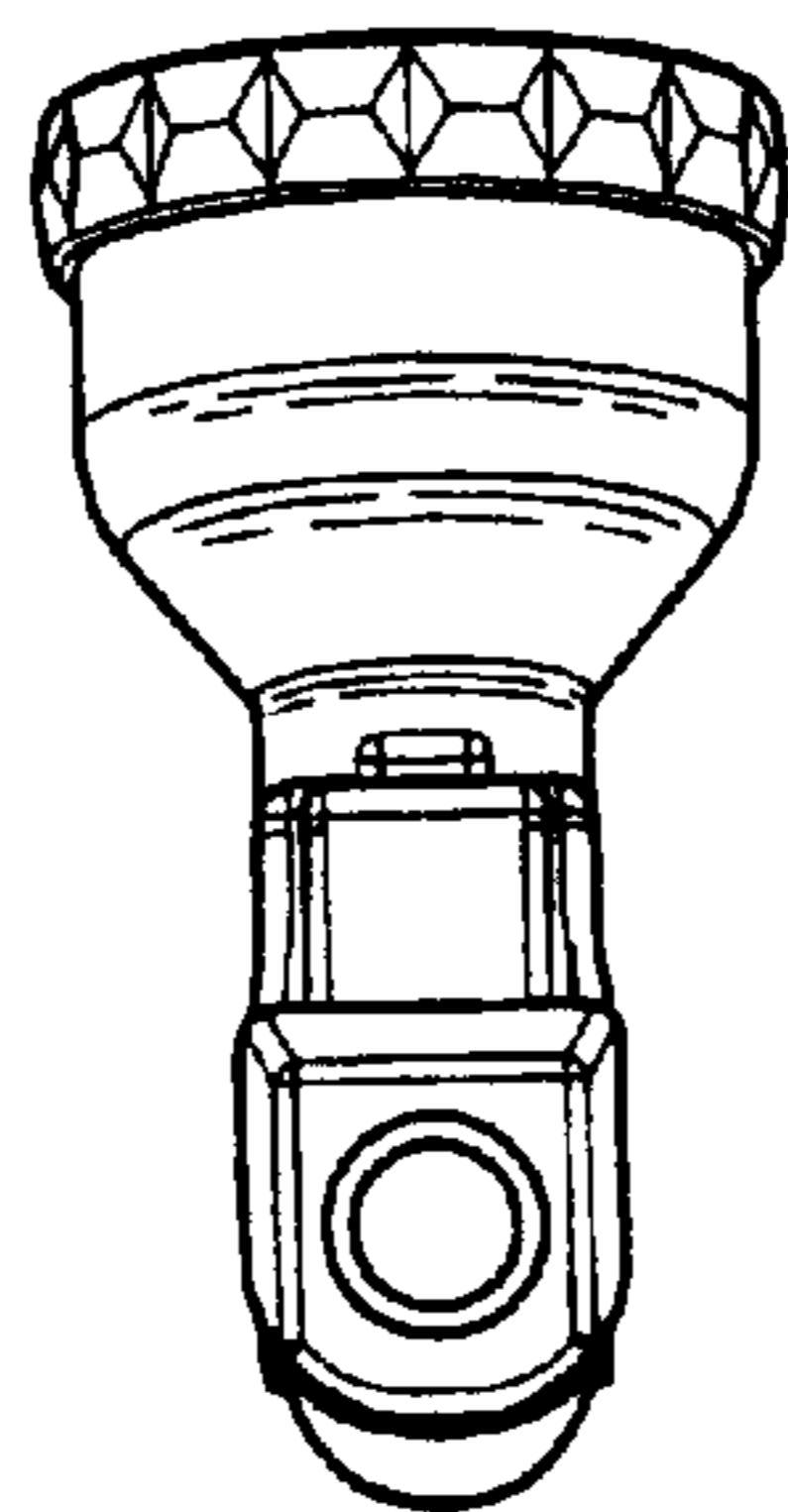


FIG. 7