



US00D513425S

(12) **United States Design Patent**  
**Kohl**

(10) **Patent No.:** **US D513,425 S**

(45) **Date of Patent:** **\*\* Jan. 3, 2006**

(54) **SKATEBOARD**

(76) **Inventor:** **Harald Kohl**, 18 rue du huit mai 1945,  
33560 Carbon Blanc (FR)

(\*\*) **Term:** **14 Years**

(21) **Appl. No.:** **29/220,973**

(22) **Filed:** **Jan. 7, 2005**

(51) **LOC (8) Cl.** ..... **21-02**

(52) **U.S. Cl.** ..... **D21/765**

(58) **Field of Classification Search** ..... D21/760,  
D21/763, 765, 771; D3/261; 280/11.19, 11.27,  
280/11.25, 87.01, 87.021, 87.041–87.043  
See application file for complete search history.

(56) **References Cited**

**U.S. PATENT DOCUMENTS**

5,299,466	A	*	4/1994	Heilbron et al.	.....	74/502.2
D382,617	S	*	8/1997	Oak	.....	D21/765
D407,048	S	*	3/1999	Benktzon et al.	.....	D12/179
D422,661	S	*	4/2000	Edwards et al.	.....	D21/765
6,811,165	B2	*	11/2004	Chang	.....	280/87.041
D505,468	S	*	5/2005	Mejia	.....	D21/765

\* cited by examiner

*Primary Examiner*—Holly Baynham

*Assistant Examiner*—Cynthia M. Chin

(74) *Attorney, Agent, or Firm*—Knobbe, Martens, Olson & Bear, LLP

(57) **CLAIM**

The ornamental design for a skateboard, as shown and described.

**DESCRIPTION**

FIG. 1 is a perspective view of the skateboard showing my new design;

FIG. 2 is a top elevational view of the skateboard shown in FIG. 1;

FIG. 3 is a bottom elevational view of the skateboard shown in FIG. 1;

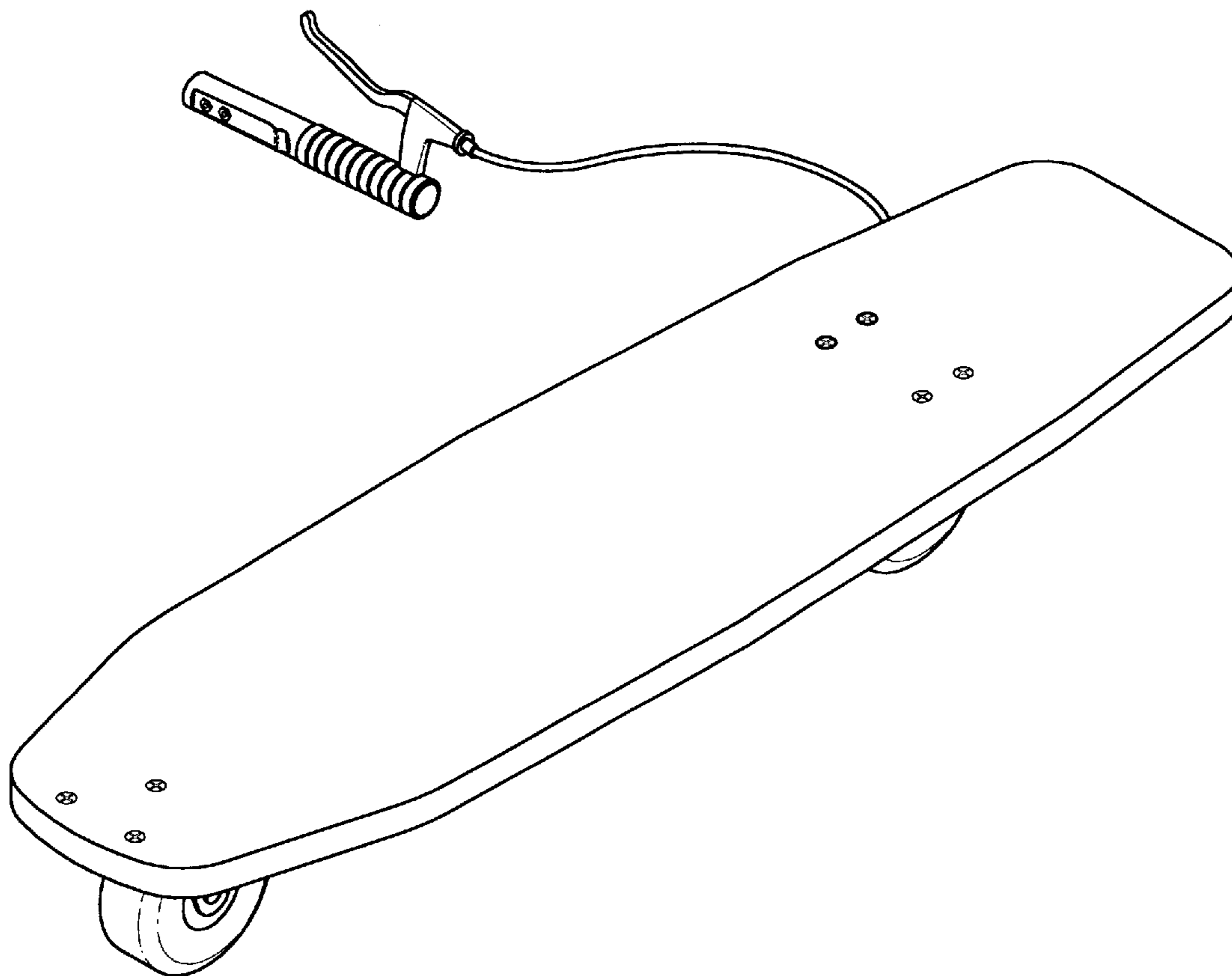
FIG. 4 is a right-side elevational view of the skateboard shown in FIG. 1;

FIG. 5 is a left-side elevational view of the skateboard shown in FIG. 1;

FIG. 6 is a front elevational view of the skateboard shown in FIG. 1; and,

FIG. 7 is a rear elevational view of the skateboard shown in FIG. 1.

**1 Claim, 4 Drawing Sheets**



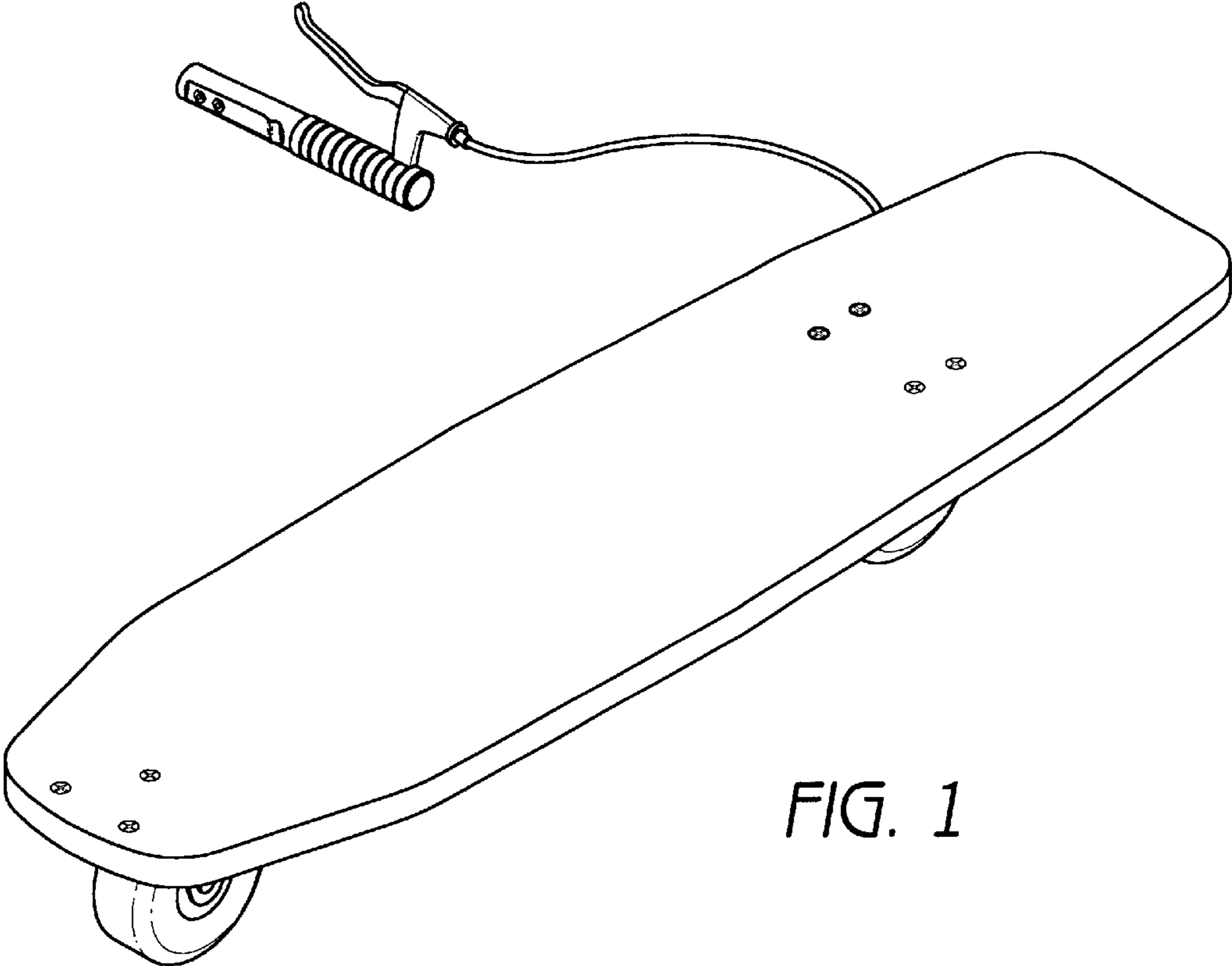


FIG. 1

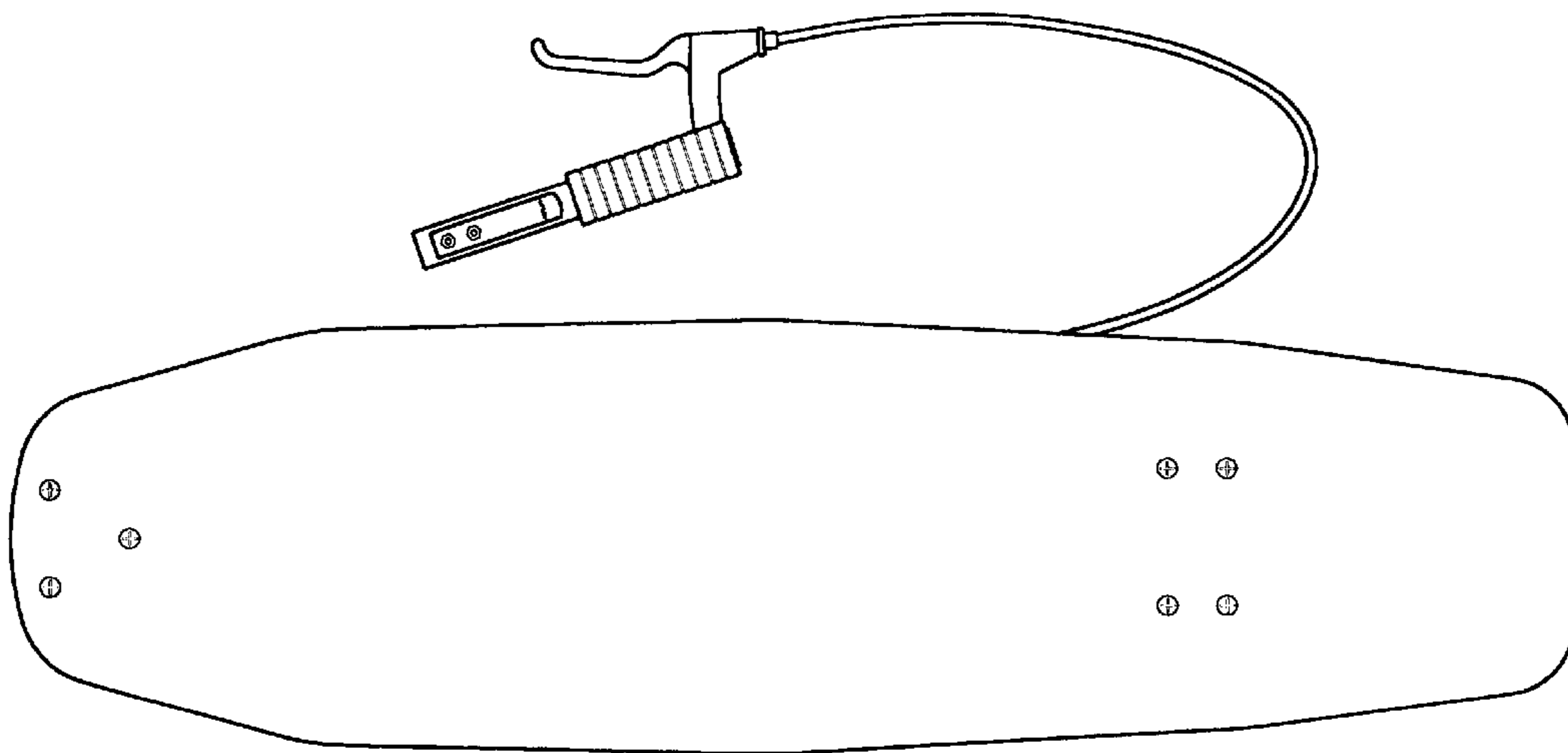


FIG. 2

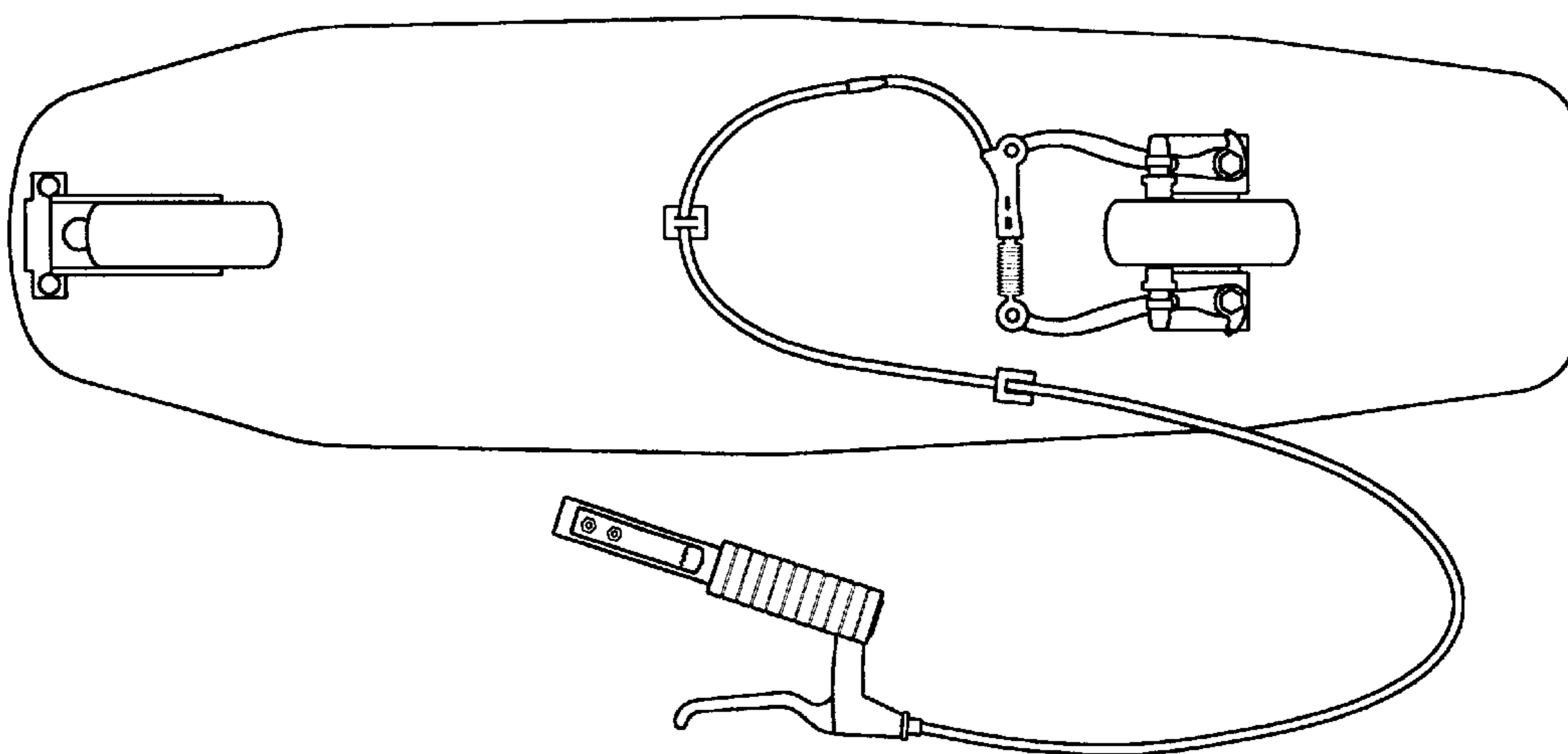


FIG. 3

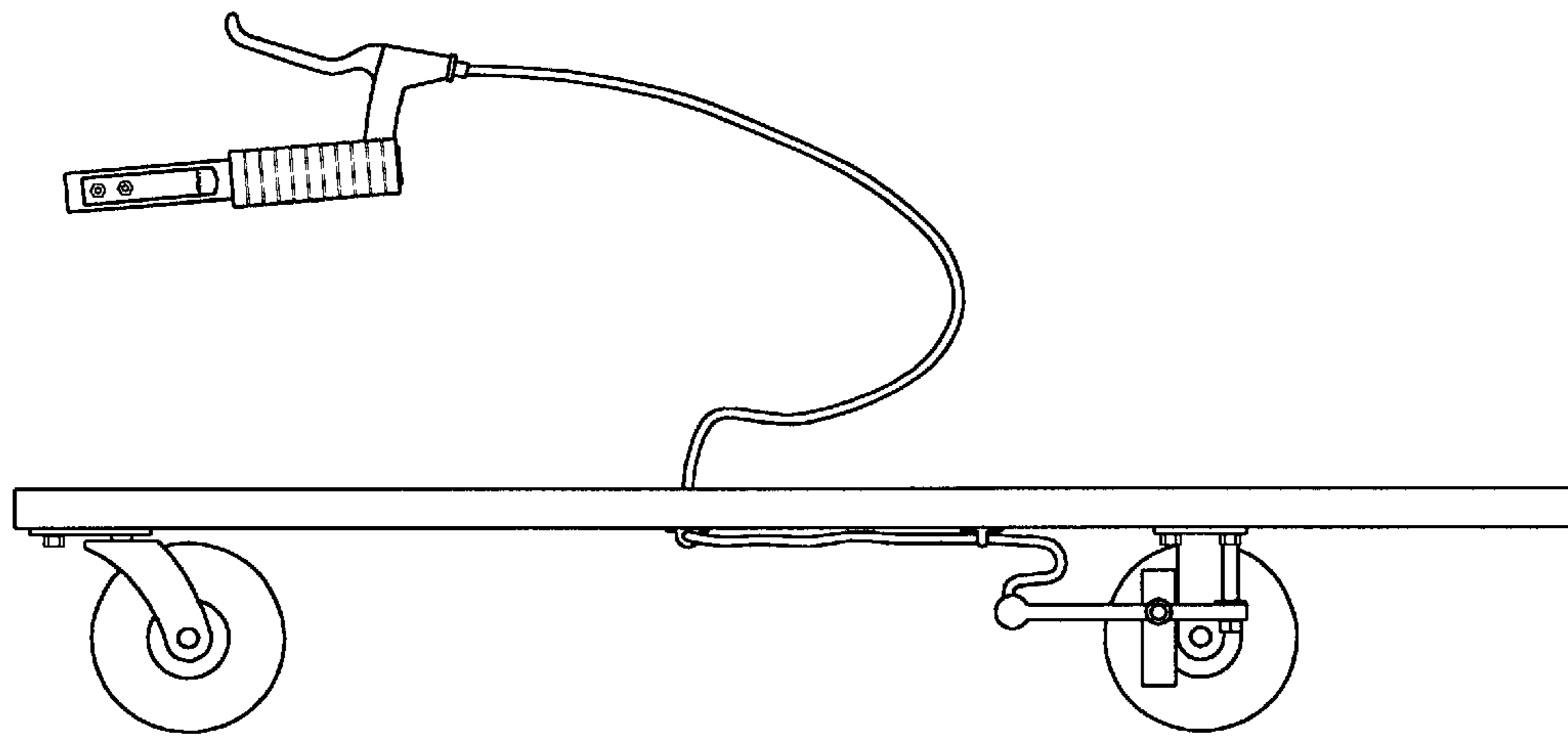


FIG. 4

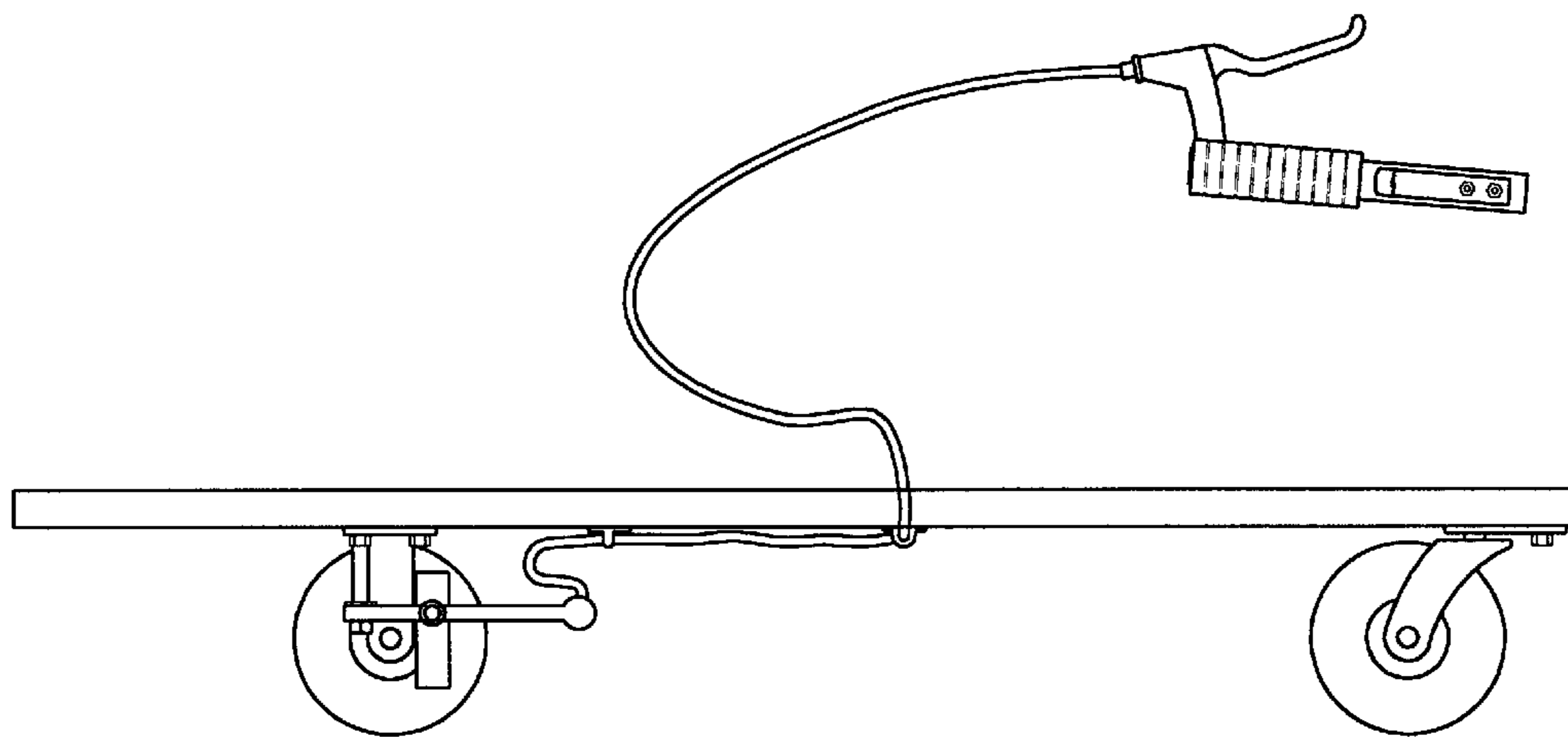


FIG. 5

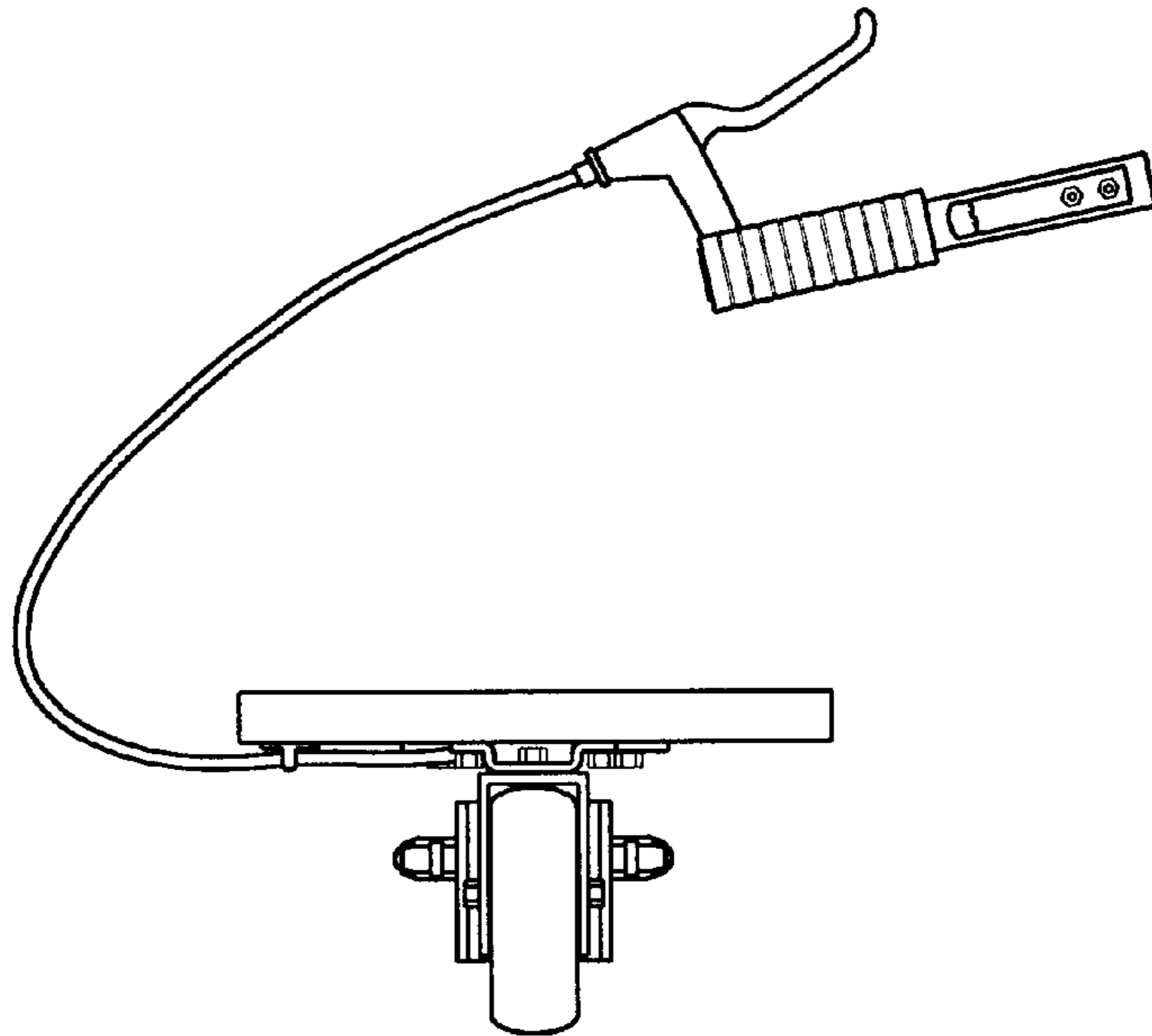


FIG. 6

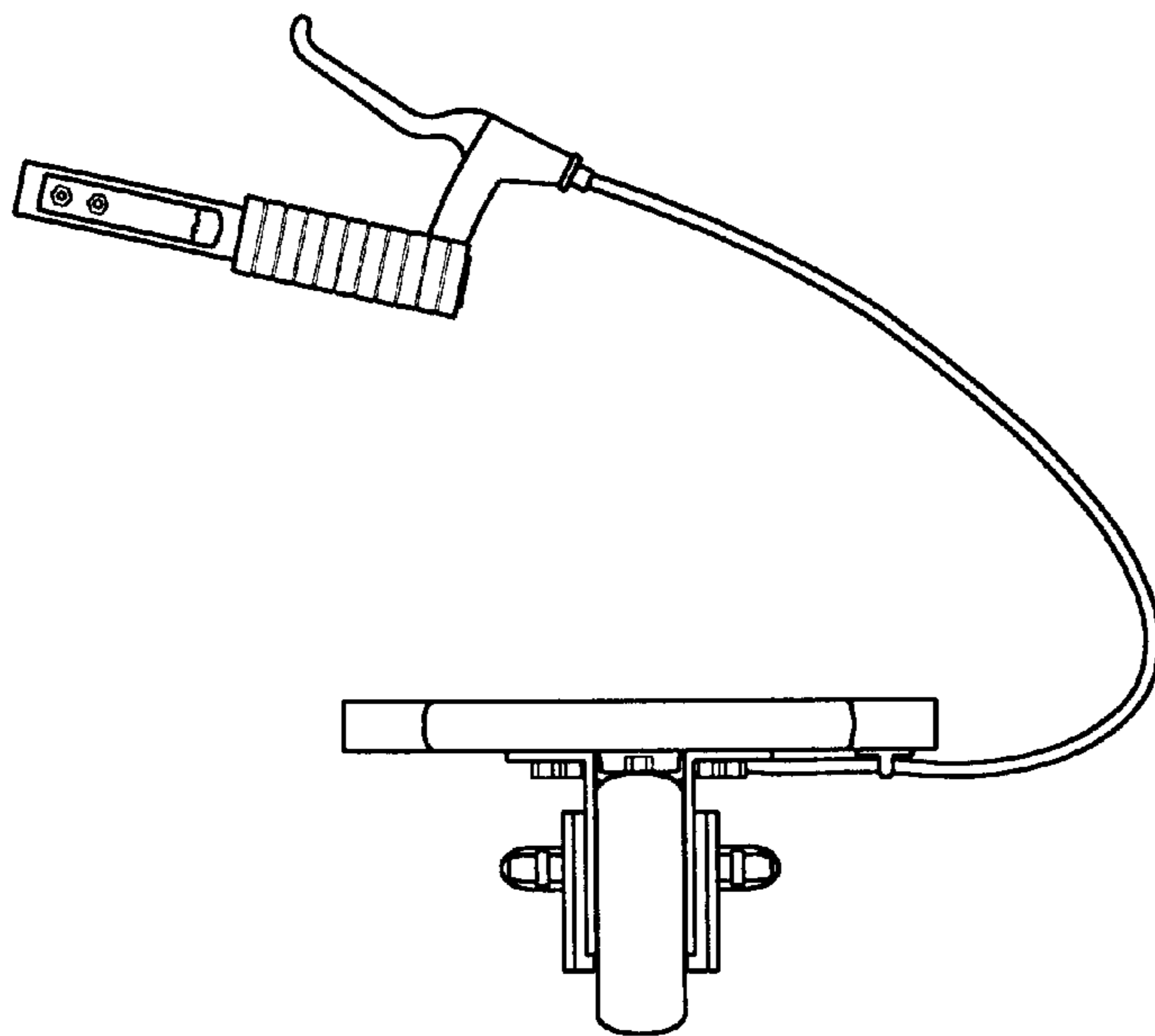


FIG. 7