

US00D513422S

(12) **United States Design Patent**
Cottrell

(10) **Patent No.:** **US D513,422 S**

(45) **Date of Patent:** **** Jan. 3, 2006**

(54) **BATTING TRAINER**

(75) **Inventor:** **James Michael Cottrell**, 5663
Macintosh Dr., Bay City, MI (US)
48706

(73) **Assignee:** **James Michael Cottrell**, Bay City, MI
(US)

(**) **Term:** **14 Years**

(21) **Appl. No.:** **29/219,432**

(22) **Filed:** **Dec. 16, 2004**

(51) **LOC (8) Cl.** **21-02**

(52) **U.S. Cl.** **D21/719; D21/780**

(58) **Field of Classification Search** D21/698,
D21/715, 719, 780, 791, 799.1, 662, 672,
D21/675, 686, 694; 473/415-464

See application file for complete search history.

(56) **References Cited**

U.S. PATENT DOCUMENTS

646,364 A * 3/1900 Donnelly 248/523
3,367,655 A * 2/1968 Navran 473/430
5,060,946 A * 10/1991 Taylor 473/429

5,135,219 A * 8/1992 McKeon et al. 473/430
5,273,277 A * 12/1993 Freese 473/429
D366,679 S * 1/1996 Clements D21/719
6,306,050 B1 * 10/2001 Holder 473/426
D486,544 S * 2/2004 Featherston D21/780

* cited by examiner

Primary Examiner—Catherine Tuttle

(74) *Attorney, Agent, or Firm*—Reising, Ethington, Barnes,
Kisselle & Learman, PC.

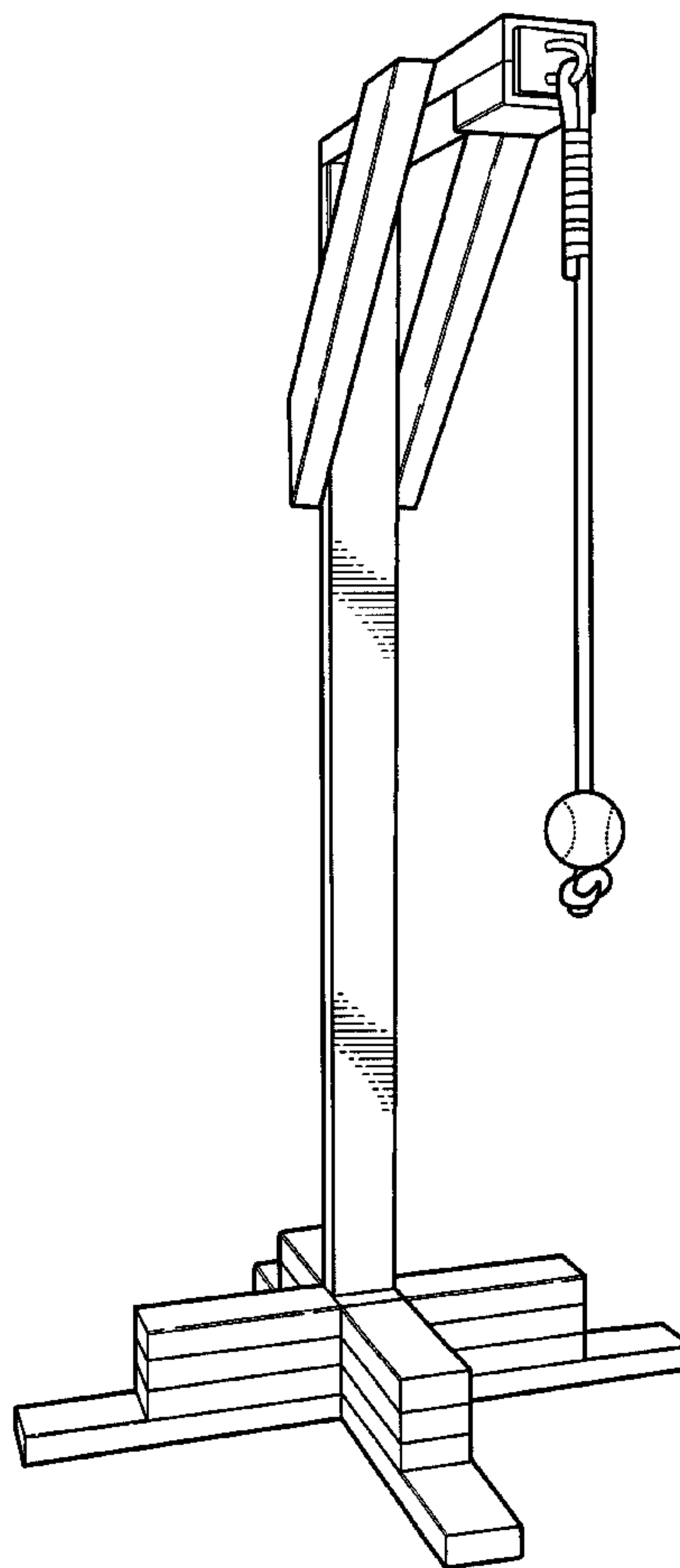
(57) **CLAIM**

The ornamental design for a batting trainer, shown and
described.

DESCRIPTION

FIG. 1 is a perspective view of the batting trainer;
FIG. 2 is a left side elevational view of the batting trainer;
FIG. 3 is a front elevational view of the batting trainer;
FIG. 4 is a rear elevational view of the batting trainer;
FIG. 5 is a top view of the batting trainer; and,
FIG. 6 is a bottom plan view of the batting trainer.
The broken lines shown on the ball portion are for illustra-
tive purposes only and form no part of the claimed design.

1 Claim, 3 Drawing Sheets



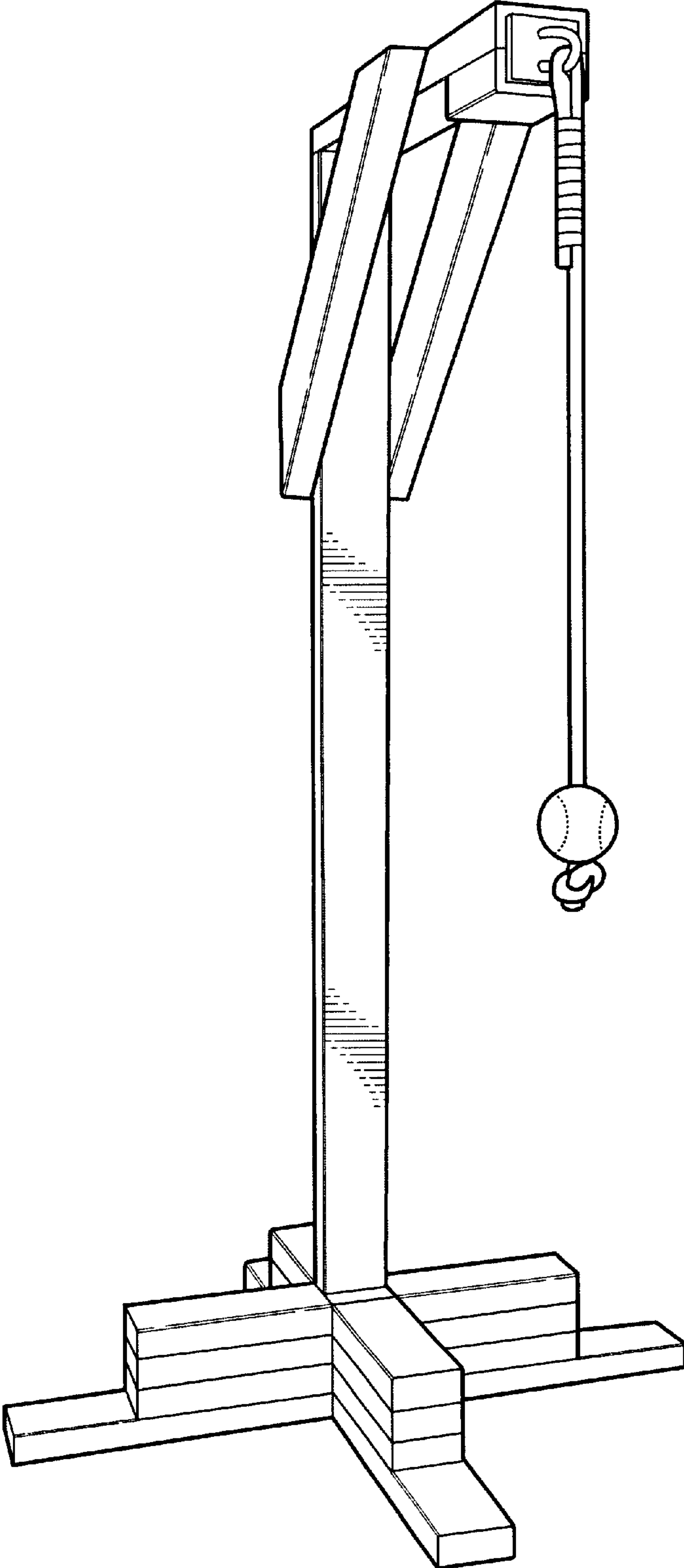


FIG - 1

