



US00D513421S

(12) **United States Design Patent**
Nagano

(10) **Patent No.:** **US D513,421 S**
(45) **Date of Patent:** **** Jan. 3, 2006**

(54) **EXERCISING MACHINE**
(75) **Inventor:** **Toshiyuki Nagano, Takarazuka (JP)**
(73) **Assignee:** **Cateye Co., Ltd., Osaka (JP)**
(**) **Term:** **14 Years**

D353,422 S * 12/1994 Bostic et al. D21/666
D362,699 S * 9/1995 Heaton et al. D21/666
D372,060 S * 7/1996 Wang et al. D21/666
D403,032 S * 12/1998 Huang D21/666
D437,369 S * 2/2001 Tsushi D21/666
D439,289 S * 3/2001 Moran et al. D21/666
D479,865 S * 9/2003 Arai et al. D21/666

(21) **Appl. No.:** **29/205,927**
(22) **Filed:** **May 21, 2004**
(30) **Foreign Application Priority Data**

Nov. 28, 2003 (JP) 2003-035543
(51) **LOC (8) Cl.** **21-02**
(52) **U.S. Cl.** **D21/666**
(58) **Field of Classification Search** D21/662,
D21/663, 664, 665, 666, 667; 482/51, 52,
482/53, 54, 57, 58
See application file for complete search history.

(56) **References Cited**
U.S. PATENT DOCUMENTS

4,932,650 A * 6/1990 Bingham et al. 482/59
D340,758 S * 10/1993 Ueda D21/666
D342,299 S * 12/1993 Birrell et al. D21/666

* cited by examiner
Primary Examiner—Philip S. Hyder
(74) *Attorney, Agent, or Firm*—Olson & Hierl, Ltd.

(57) **CLAIM**

The ornamental design for an exercising machine, as shown.

DESCRIPTION

FIG. 1 is a front view of an exercising machine showing my new design;
FIG. 2 is a rear view thereof;
FIG. 3 is a top plan view thereof;
FIG. 4 is a bottom plan view thereof;
FIG. 5 is a right side view thereof;
FIG. 6 is a left side view thereof; and,
FIG. 7 is a perspective view thereof.

1 Claim, 3 Drawing Sheets

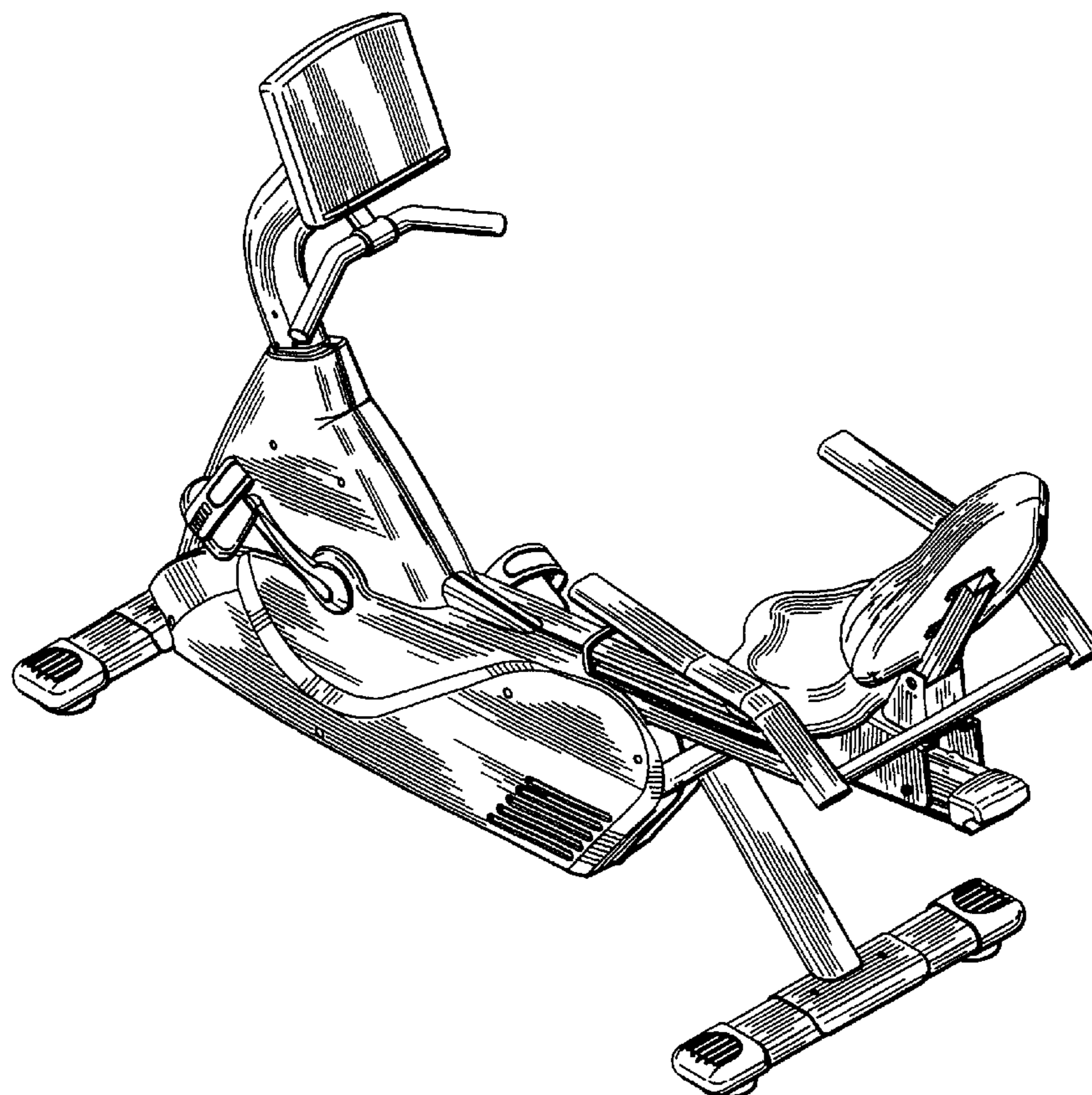


FIG.1

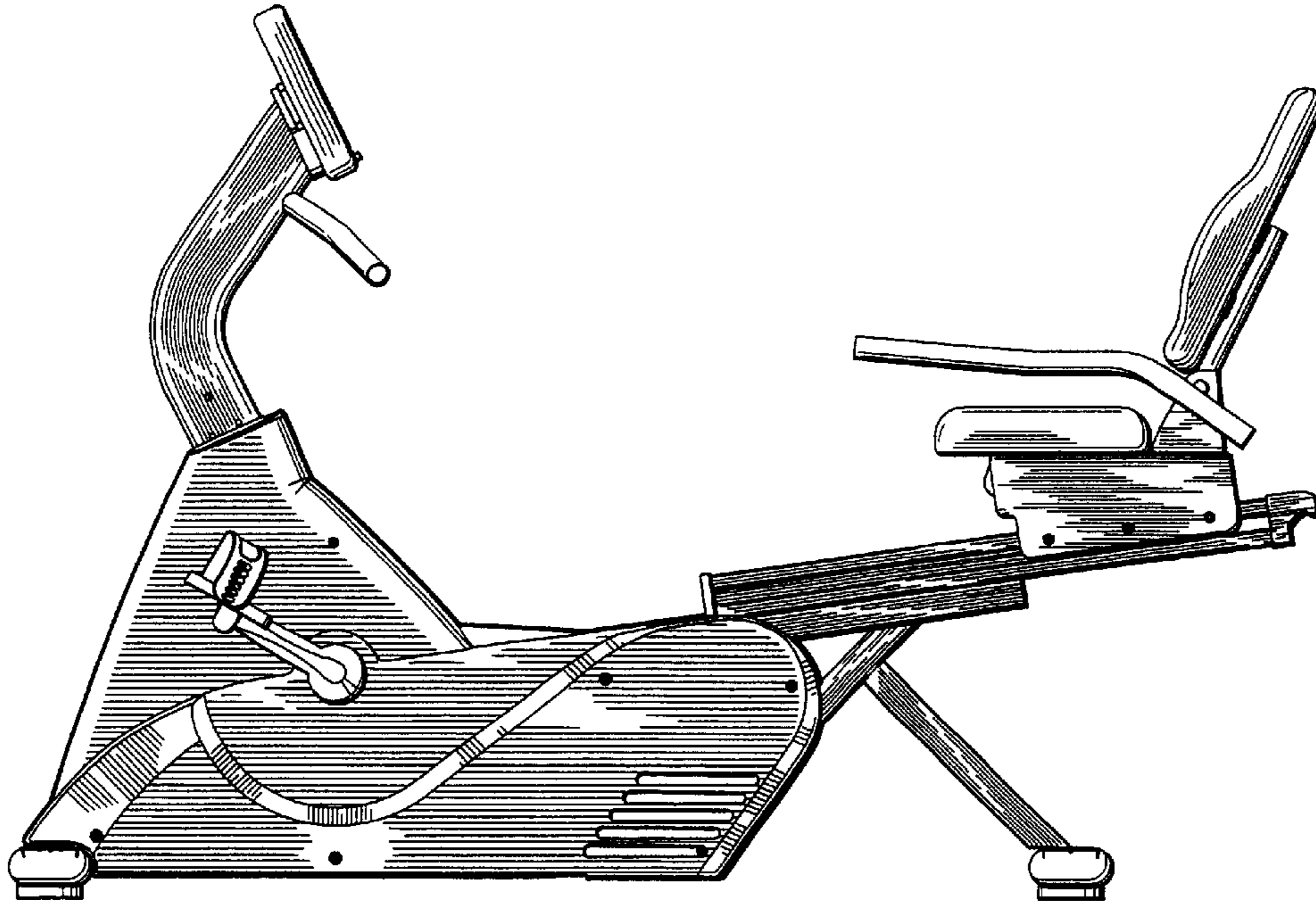


FIG.2

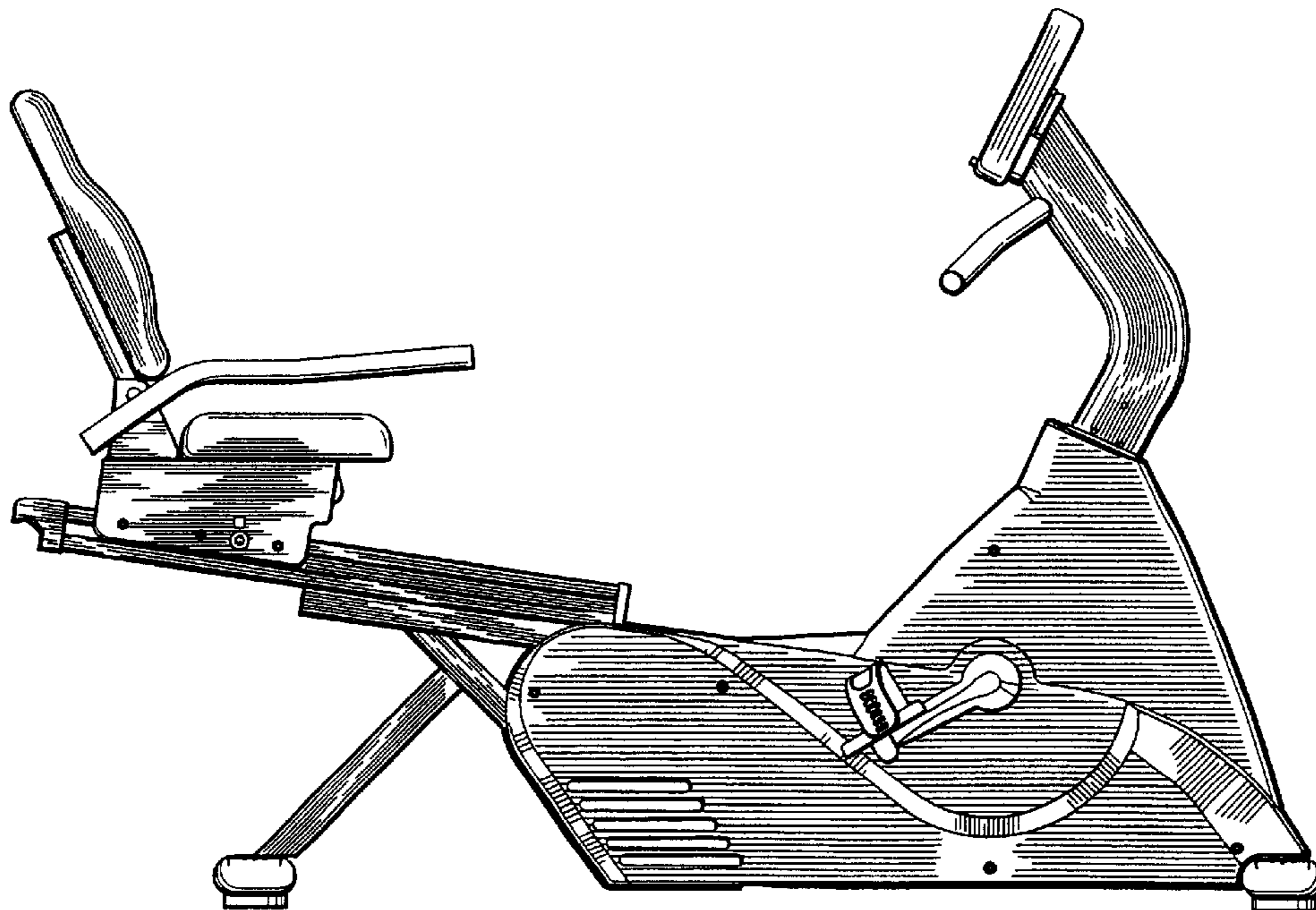


FIG.3

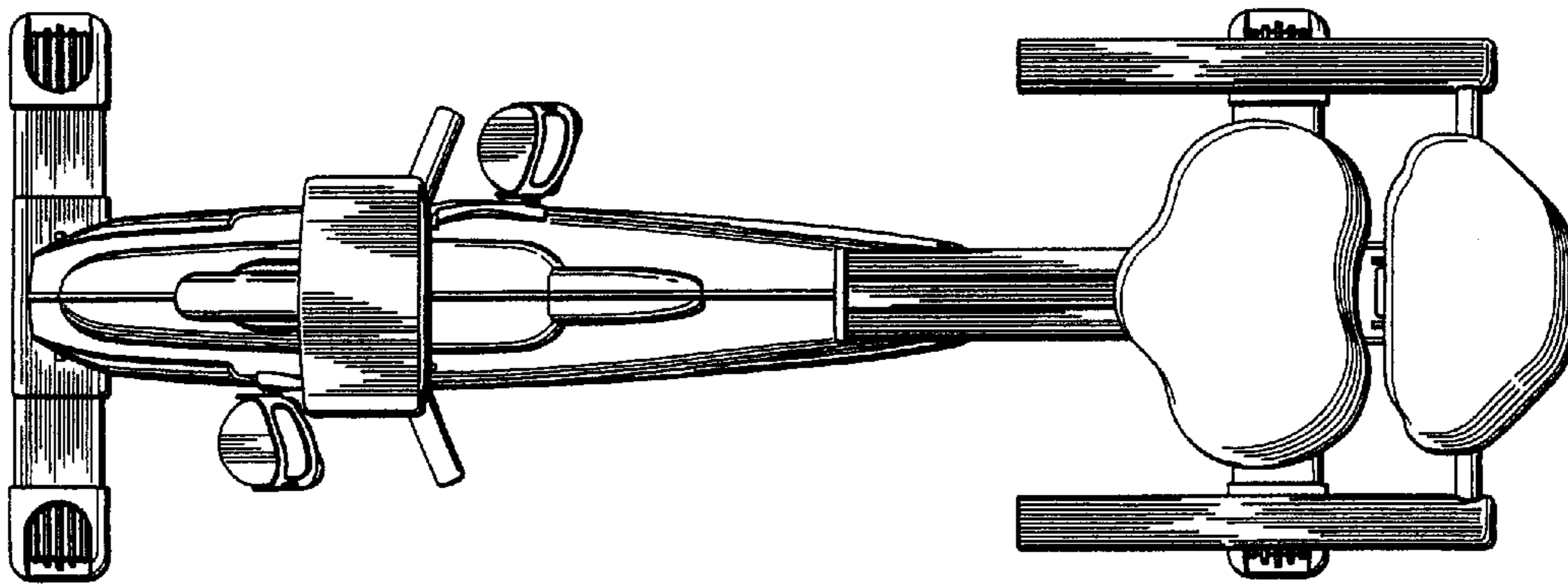


FIG.4

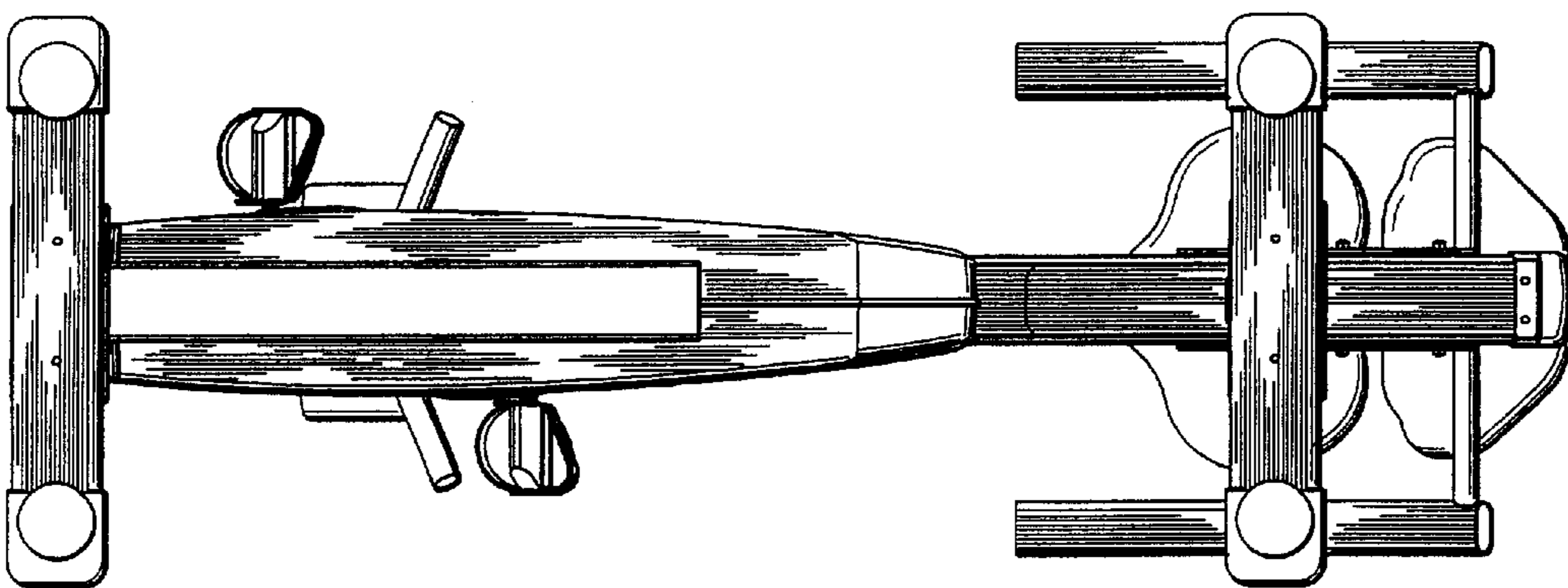


FIG.5

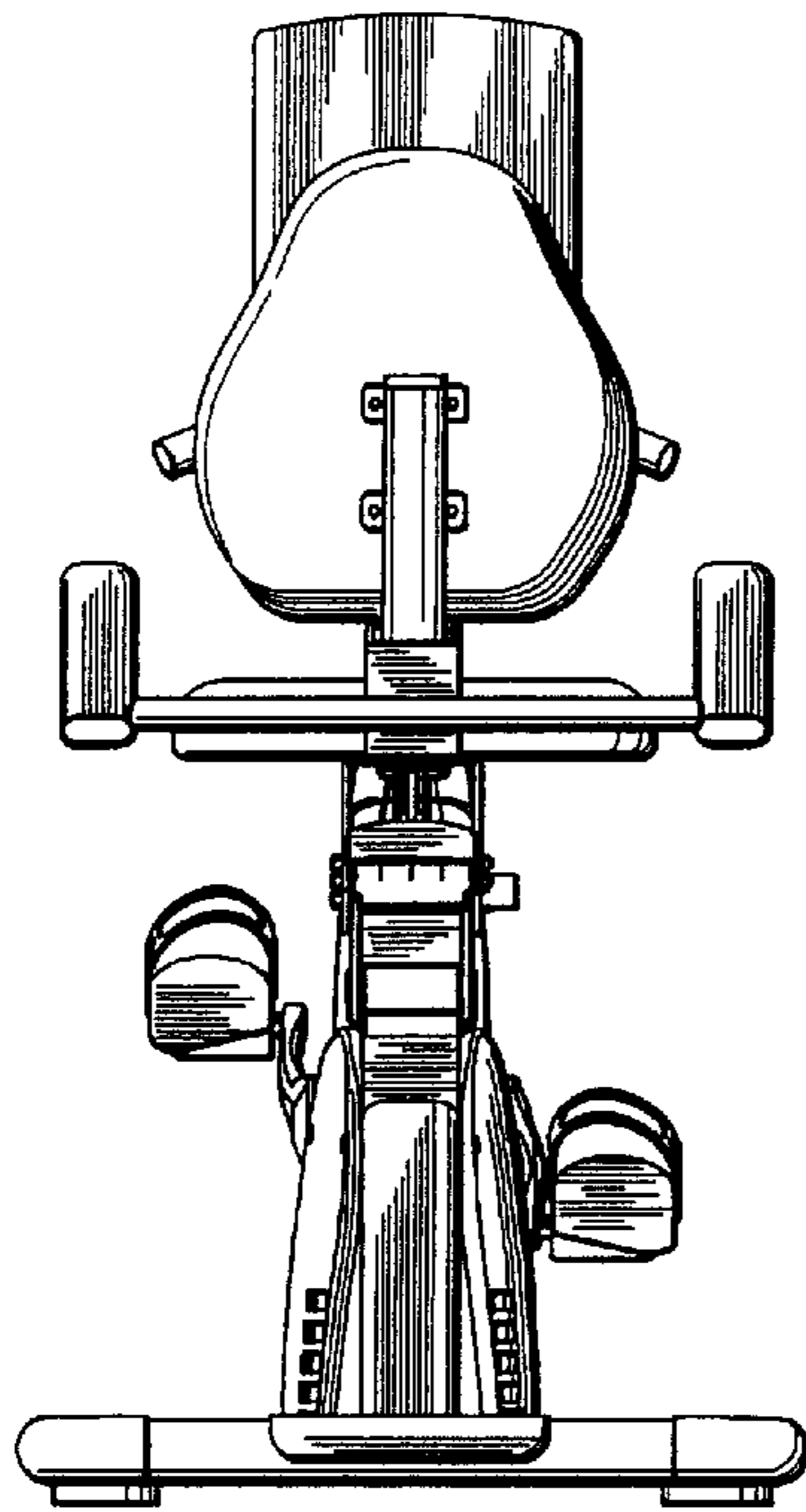


FIG.6

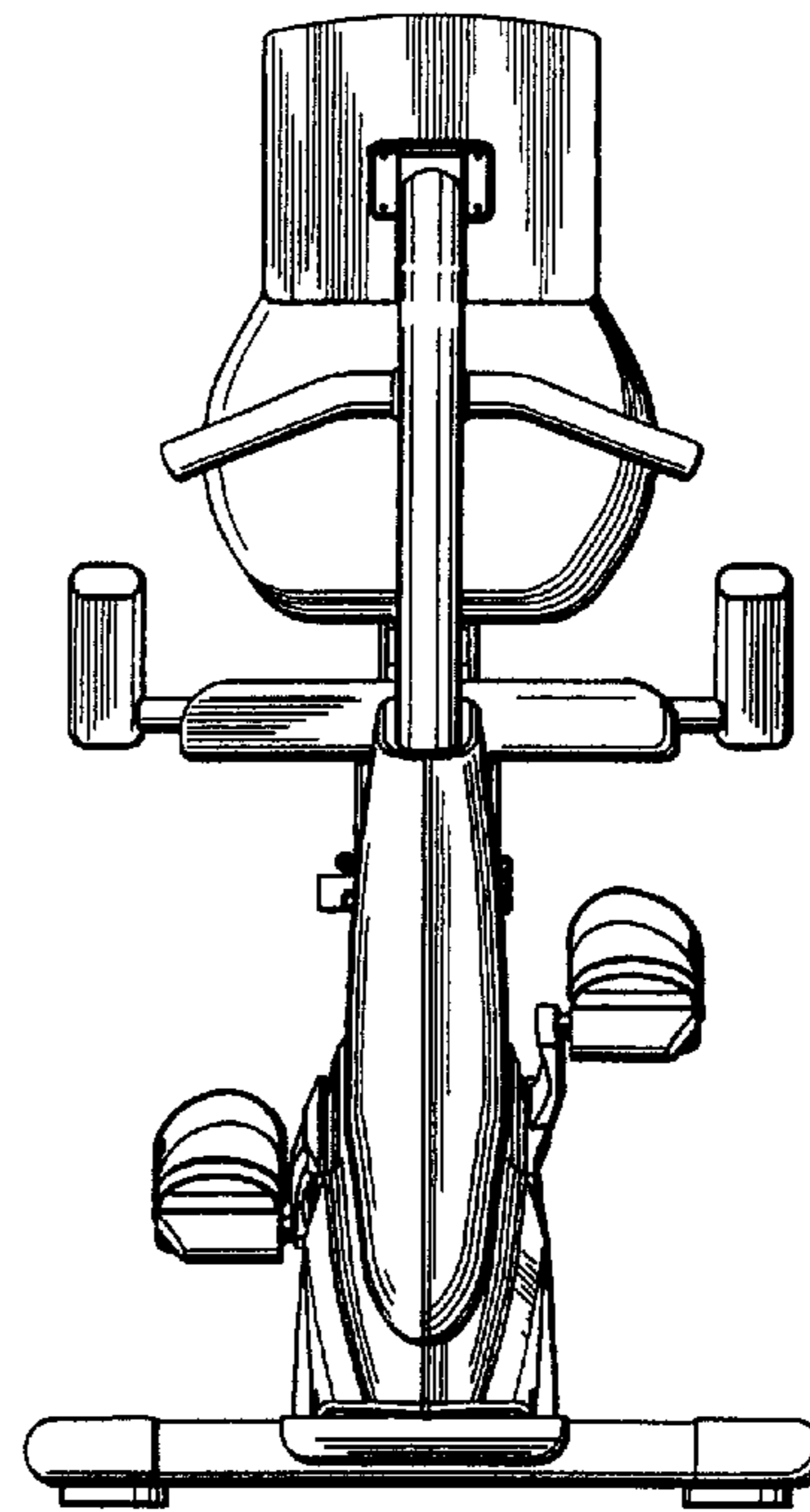


FIG.7

