



US00D513419S

(12) **United States Design Patent** (10) **Patent No.:** **US D513,419 S**
Morrison et al. (45) **Date of Patent:** **** Jan. 3, 2006**

(54) **ASSET TAG**

(75) **Inventors:** **Christopher S. Morrison**, Scottsdale, AZ (US); **Adam A. Studnicki**, Scottsdale, AZ (US)

(73) **Assignee:** **Nuvo Hodings, LLC**, Scottsdale, AZ (US)

(**) **Term:** **14 Years**

(21) **Appl. No.:** **29/201,901**

(22) **Filed:** **Mar. 23, 2004**

(51) **LOC (8) Cl.** **19-08**

(52) **U.S. Cl.** **D20/28**

(58) **Field of Classification Search** D20/10, D20/22, 23, 28, 40, 41, 42, 99; 40/1.5, 1.6, 40/5, 6, 124.01, 299.01, 301, 315, 331, 630, 40/633, 634, 669; D11/61, 99, 116, 204, 223, D11/238, 221; D9/434, 438

See application file for complete search history.

(56) **References Cited**

U.S. PATENT DOCUMENTS

1,063,577	A	*	6/1913	Moran	40/492
2,256,637	A	*	9/1941	Anderson	439/877
3,546,023	A	*	12/1970	Halter et al.	429/73
3,779,610	A	*	12/1973	Pansky et al.	301/35.631
4,070,775	A	*	1/1978	Brooks	40/492
D322,816	S	*	12/1991	Immerman	D20/28
D333,109	S	*	2/1993	Franklin	D11/221
5,188,424	A	*	2/1993	Herron	297/195.1
5,663,009	A	*	9/1997	Stocchiero	429/65
D422,213	S	*	4/2000	Sedgeley	D9/434
D431,469	S	*	10/2000	Solland et al.	D9/518
6,411,731	B1	*	6/2002	Saito	382/173
D476,889	S	*	7/2003	Fields	D9/438

* cited by examiner

Primary Examiner—Robert M. Spear

(74) *Attorney, Agent, or Firm*—Lowell W. Gresham; Jordon M. Meschow; Meschow & Gresham, P.L.C.

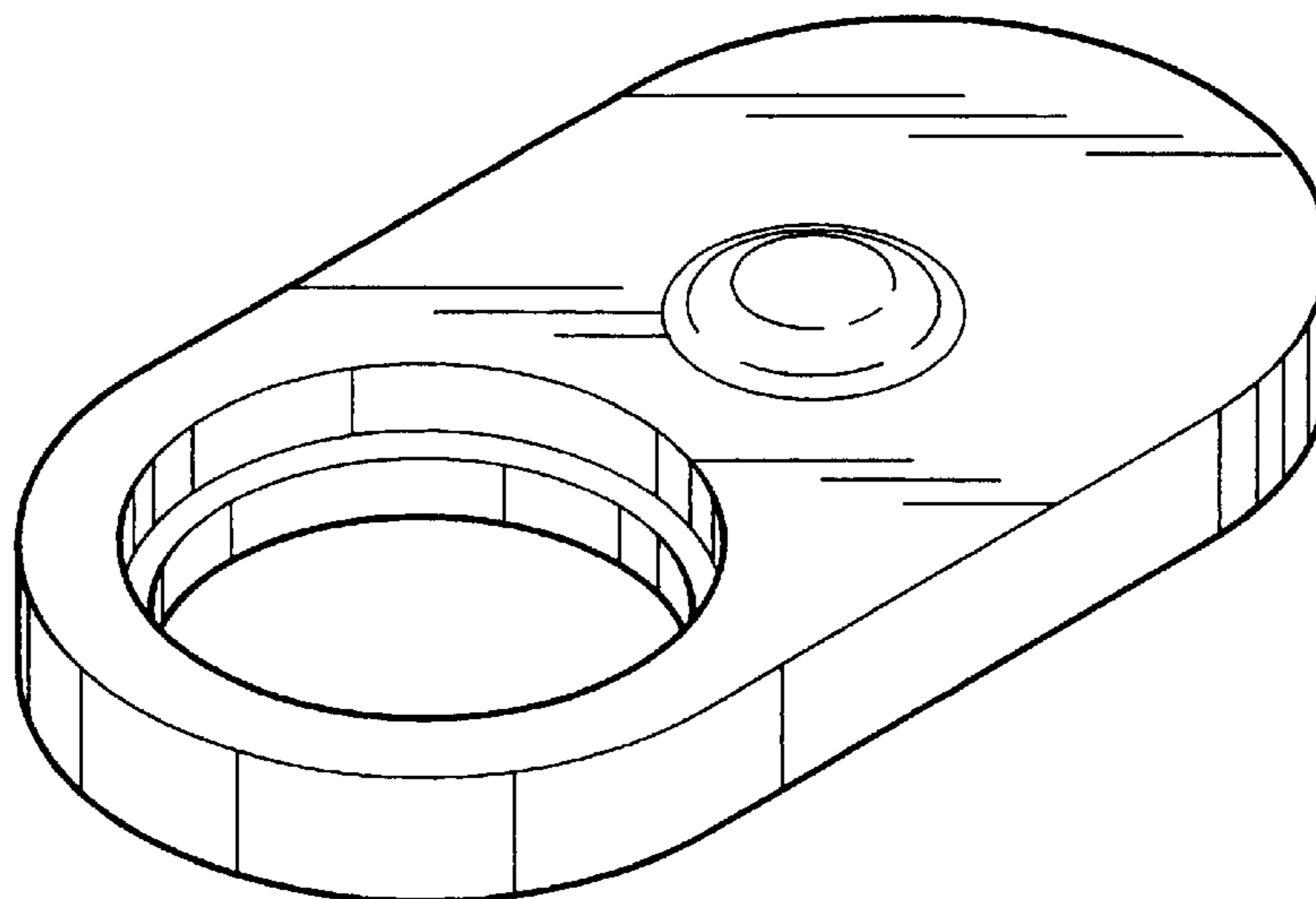
(57) **CLAIM**

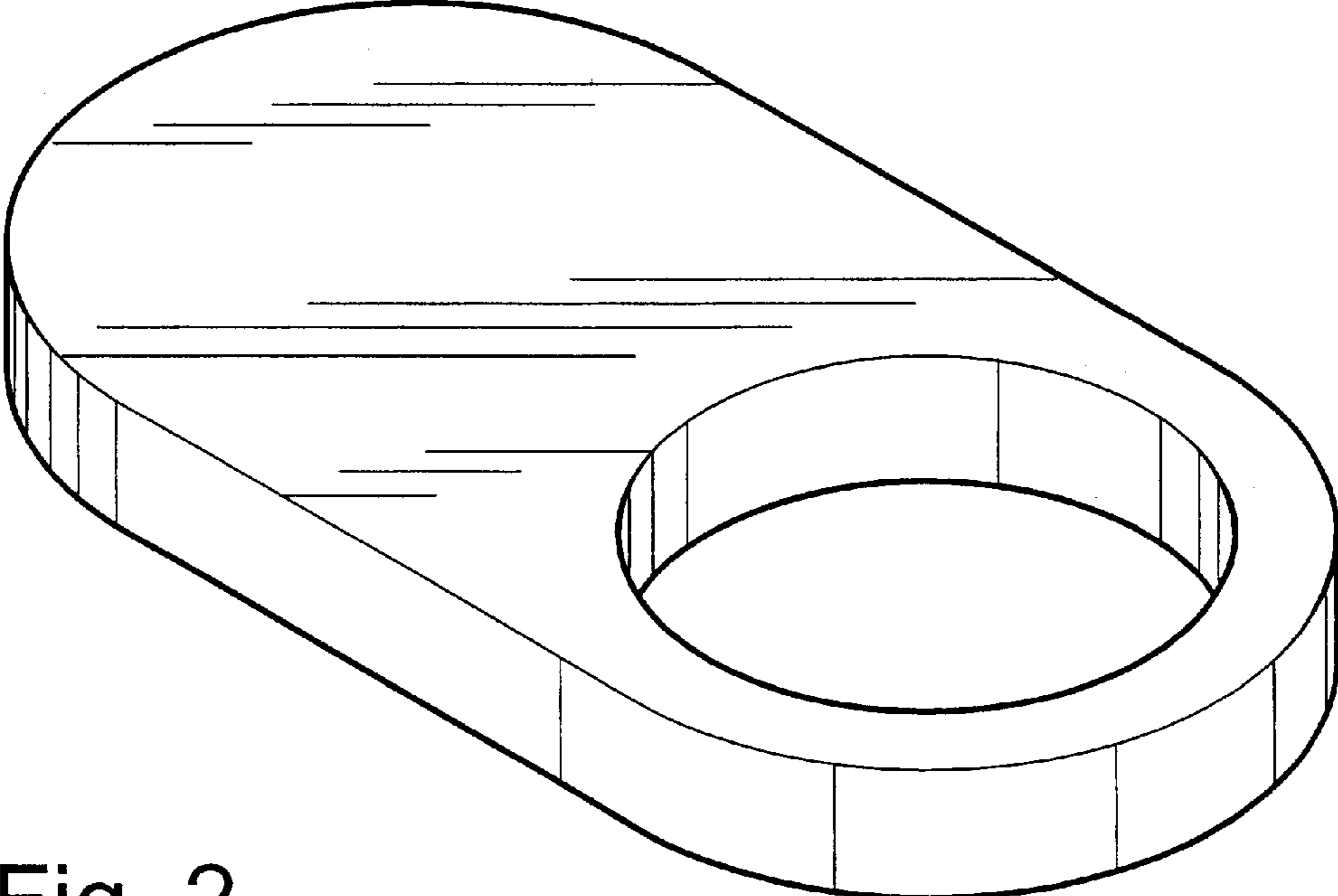
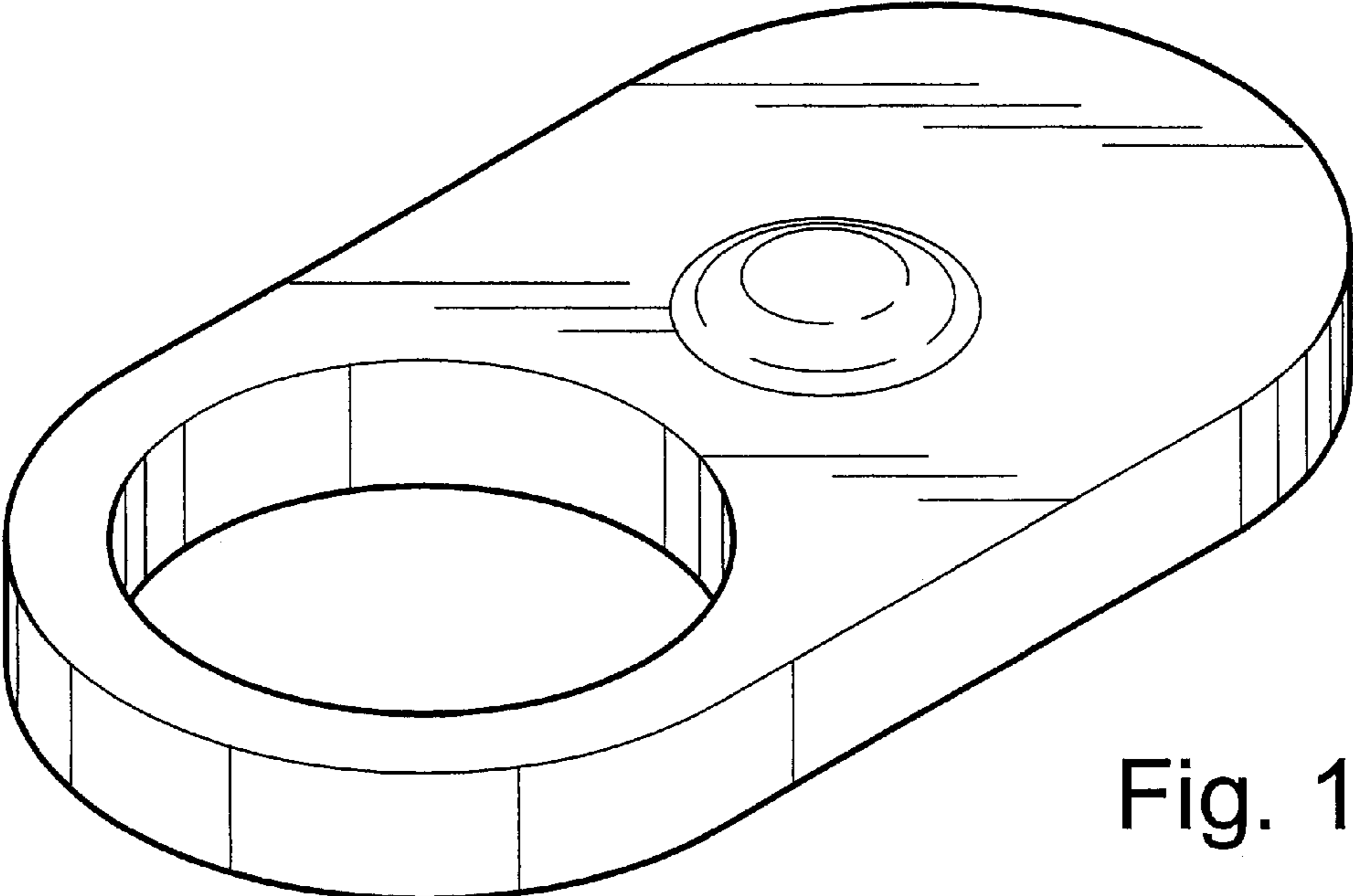
The ornamental design for an asset tag, as shown and described.

DESCRIPTION

FIG. 1 is a perspective view of a first embodiment of the asset tag according to the present invention; FIG. 2 is a second perspective of the first embodiment of the asset tag according to the present invention; FIG. 3 is an end view of the first embodiment of the asset tag according to the present invention; FIG. 4 is a side view of the first embodiment of the asset tag according to the present invention; FIG. 5 is a top view of the first embodiment of the asset tag according to the present invention; FIG. 6 is a second side view of the first embodiment of the asset tag according to the present invention; FIG. 7 is a second end view of the first embodiment of the asset tag according to the present invention; FIG. 8 is a perspective view of a second embodiment of the asset tag according to the present invention; FIG. 9 is a second perspective view of the second embodiment of the asset tag according to the present invention; FIG. 10 is an end view of the second embodiment of the asset tag according to the present invention; FIG. 11 is a side view of the second embodiment of the asset tag according to the present invention; FIG. 12 is a top view of the second embodiment of the asset tag according to the present invention; FIG. 13 is a bottom view of the second embodiment of the asset tag according to the present invention; FIG. 14 is a second side view of the second embodiment of the asset tag according to the present invention; and, FIG. 15 is a second end view of the second embodiment of the asset tag according to the present invention.

1 Claim, 4 Drawing Sheets





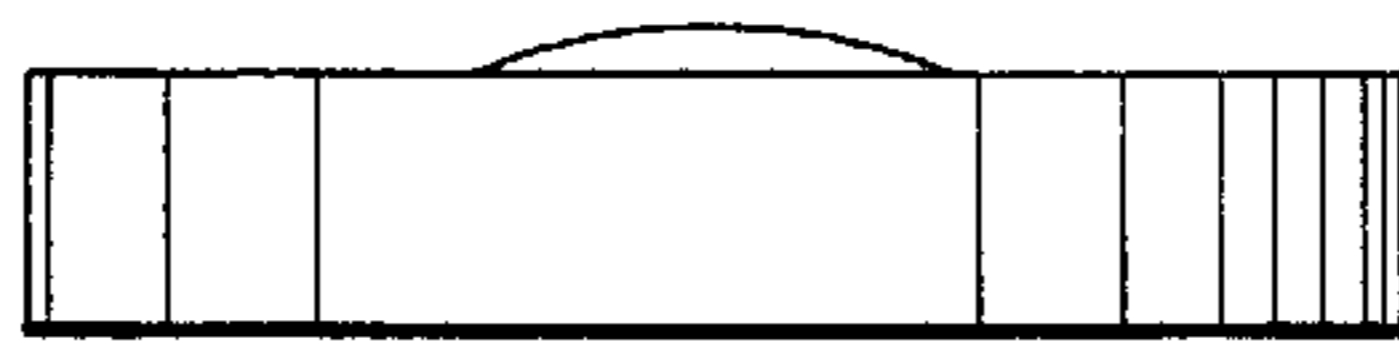


Fig. 3



Fig. 4

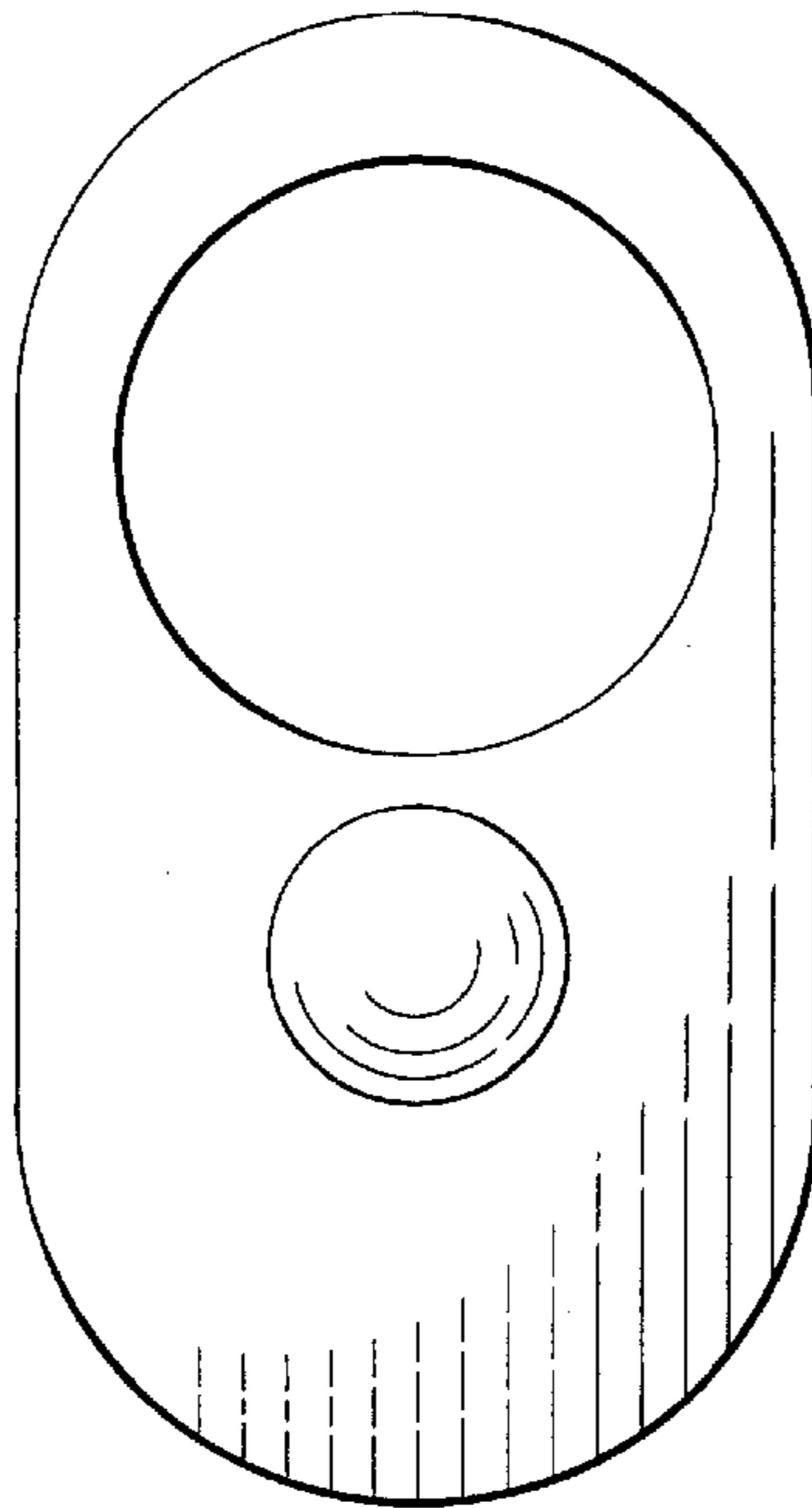


Fig. 5



Fig. 6

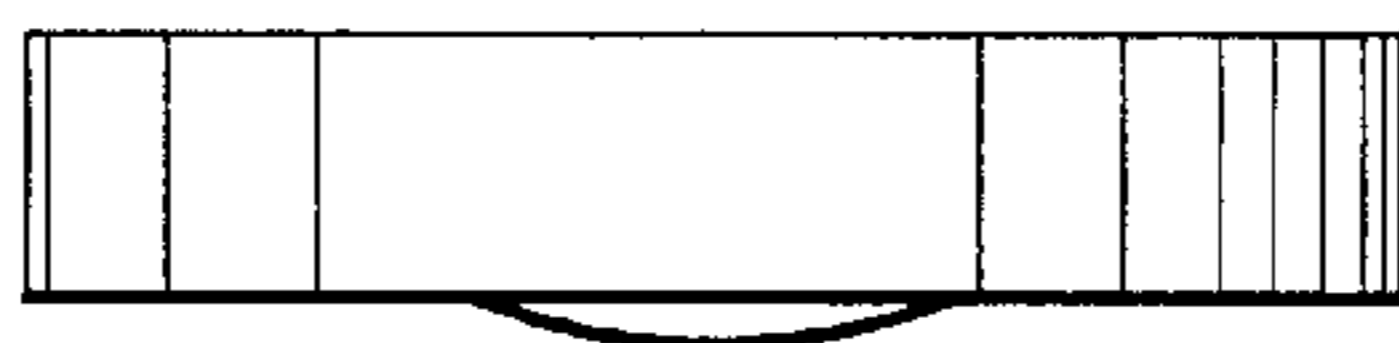


Fig. 7

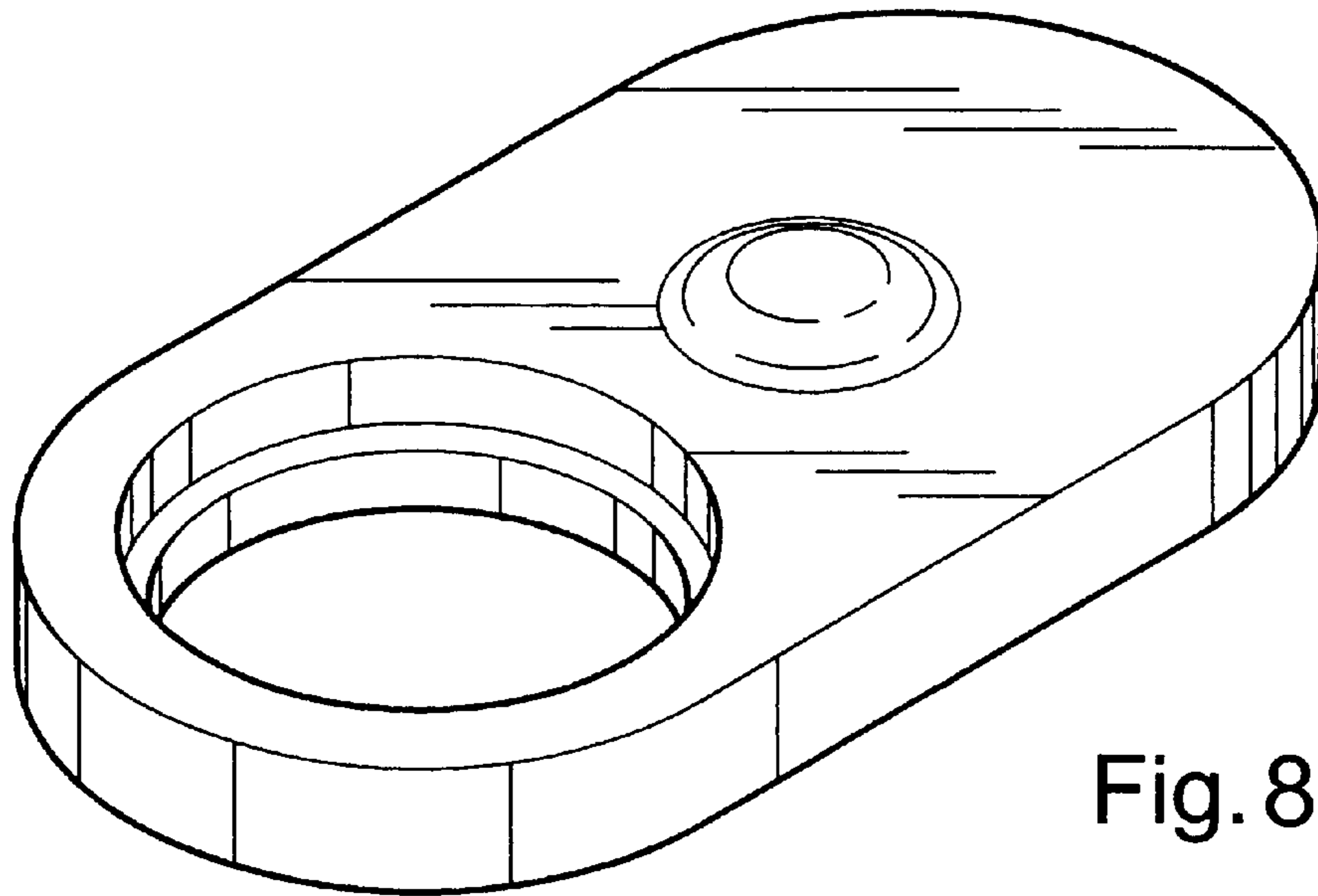


Fig. 8

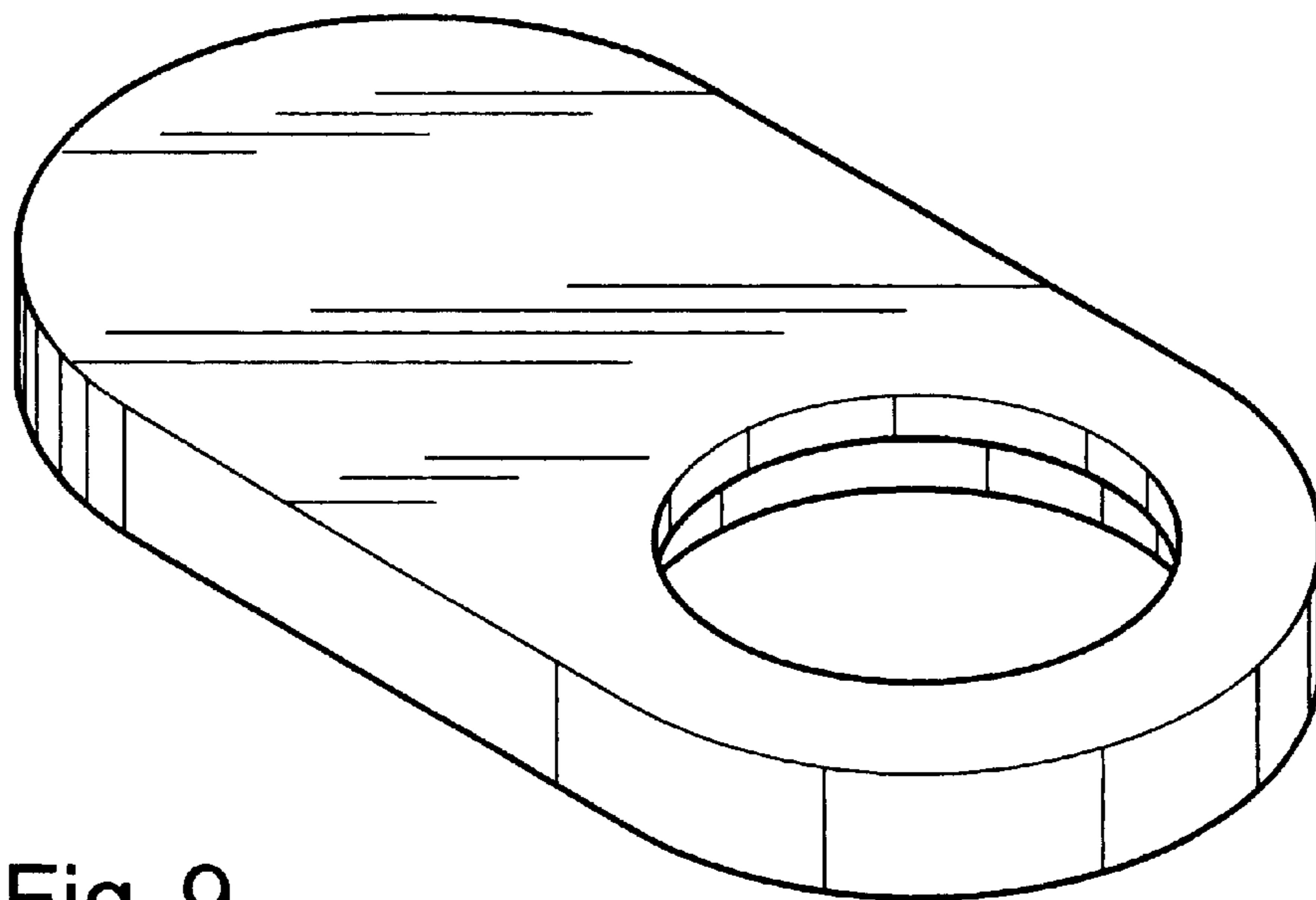


Fig. 9

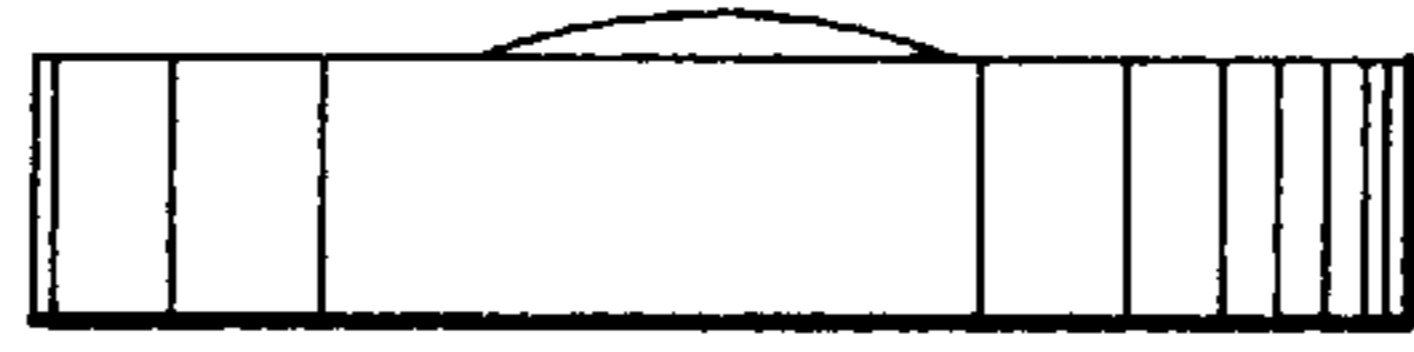


Fig. 10



Fig. 11

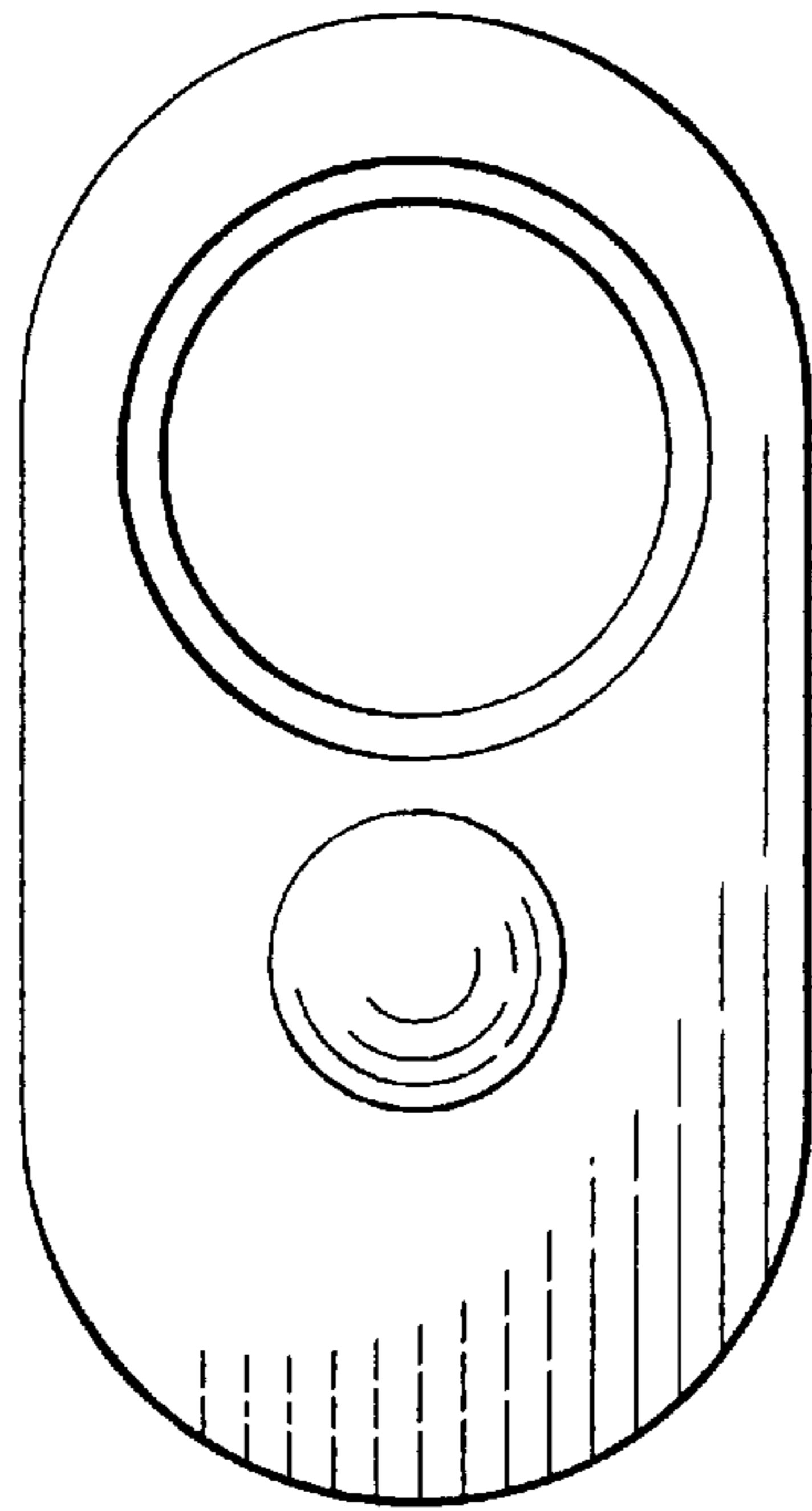


Fig. 12

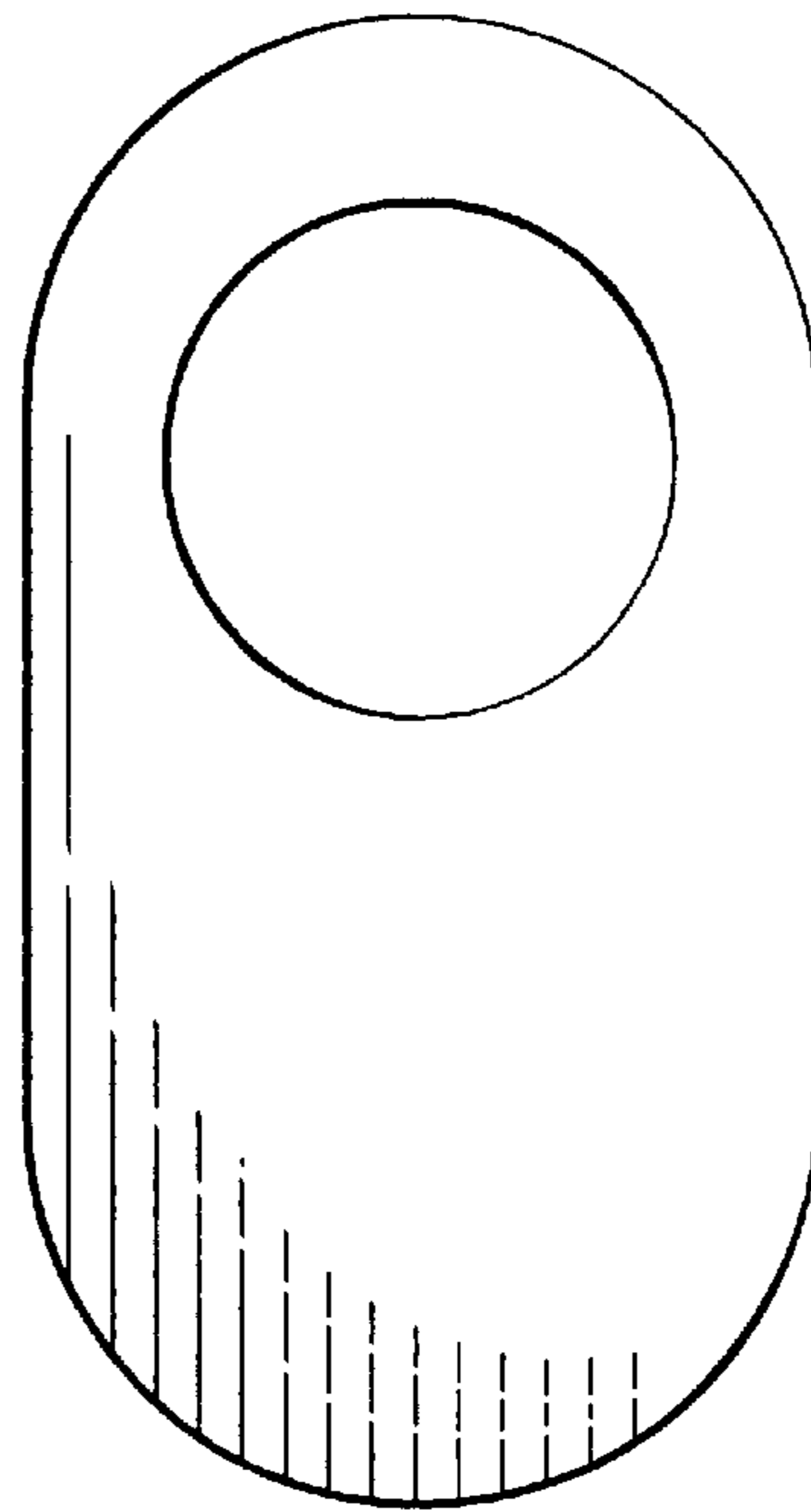


Fig. 13



Fig. 14



Fig. 15

UNITED STATES PATENT AND TRADEMARK OFFICE
CERTIFICATE OF CORRECTION

PATENT NO. : Des. 513,419 S
DATED : January 3, 2006
INVENTOR(S) : Christopher S. Morrison et al.

Page 1 of 1

It is certified that error appears in the above-identified patent and that said Letters Patent is hereby corrected as shown below:

Title page.
Item [73], Assignee, should be -- **Nuvo Holdings, LLC** --.

Signed and Sealed this

Twenty-eighth Day of March, 2006

A handwritten signature in black ink on a dotted background. The signature reads "Jon W. Dudas" in a cursive style.

JON W. DUDAS

Director of the United States Patent and Trademark Office