

US00D513418S

(12) **United States Design Patent**
Jackson

(10) **Patent No.:** **US D513,418 S**

(45) **Date of Patent:** **** Jan. 3, 2006**

(54) **PHOTO ALBUM**

(76) **Inventor:** **Pauline E. Jackson**, 6895 May Basket Ave., Las Vegas, NV (US) 89131

(**) **Term:** **14 Years**

(21) **Appl. No.:** **29/200,902**

(22) **Filed:** **Mar. 5, 2004**

(51) **LOC (8) Cl.** **19-04**

(52) **U.S. Cl.** **D19/26**

(58) **Field of Classification Search** D19/26,
D19/27, 28, 29, 30, 31, 32, 33, 86; 206/425,
206/472; 281/3.1, 15.1, 19.1, 21.1, 22, 29,
281/34, 38, 51; 283/63.1; D3/303, 900, 201,
D3/206, 247; 402/73, 80 R; 40/530, 536,
40/537, 773

See application file for complete search history.

(56) **References Cited**

U.S. PATENT DOCUMENTS

702,027 A * 6/1902 Oberteuffer 40/530
D292,597 S * 11/1987 Gifford et al. D19/27

5,704,646 A * 1/1998 Tzeng 281/29
D417,704 S * 12/1999 McGowan D21/405
6,213,669 B1 * 4/2001 Yamamoto 402/73
6,419,543 B1 * 7/2002 Burrows 446/219
6,431,606 B1 * 8/2002 Lowe et al. 281/38
D477,361 S * 7/2003 Park D19/26

* cited by examiner

Primary Examiner—Caron D. Veynar

Assistant Examiner—Elizabeth Albert

(74) *Attorney, Agent, or Firm*—James E. Brunton, Esq.

(57) **CLAIM**

The ornamental design for a “photo album,” as shown.

DESCRIPTION

FIG. 1 is a top plan view of a photo album showing my new design;

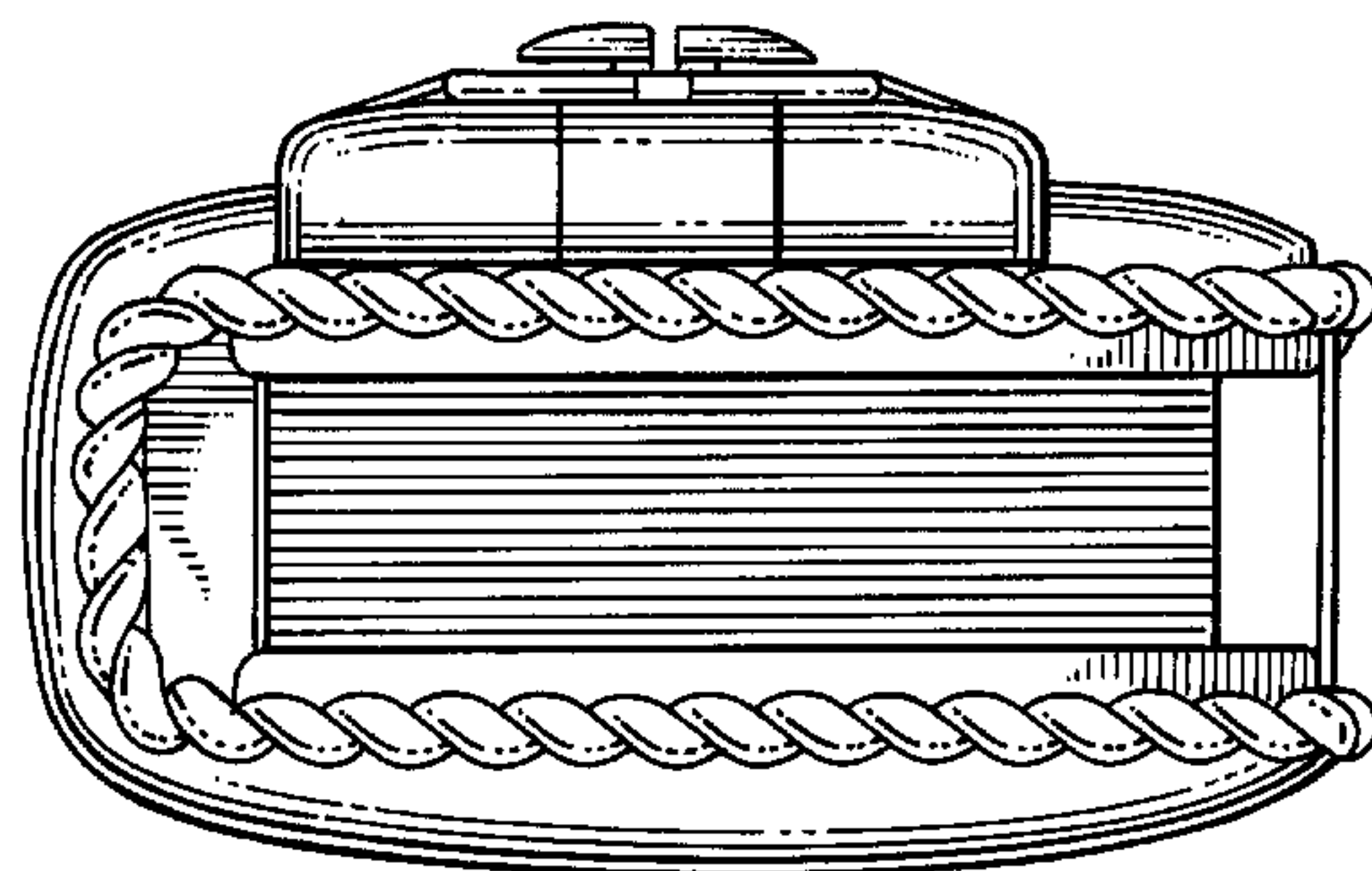
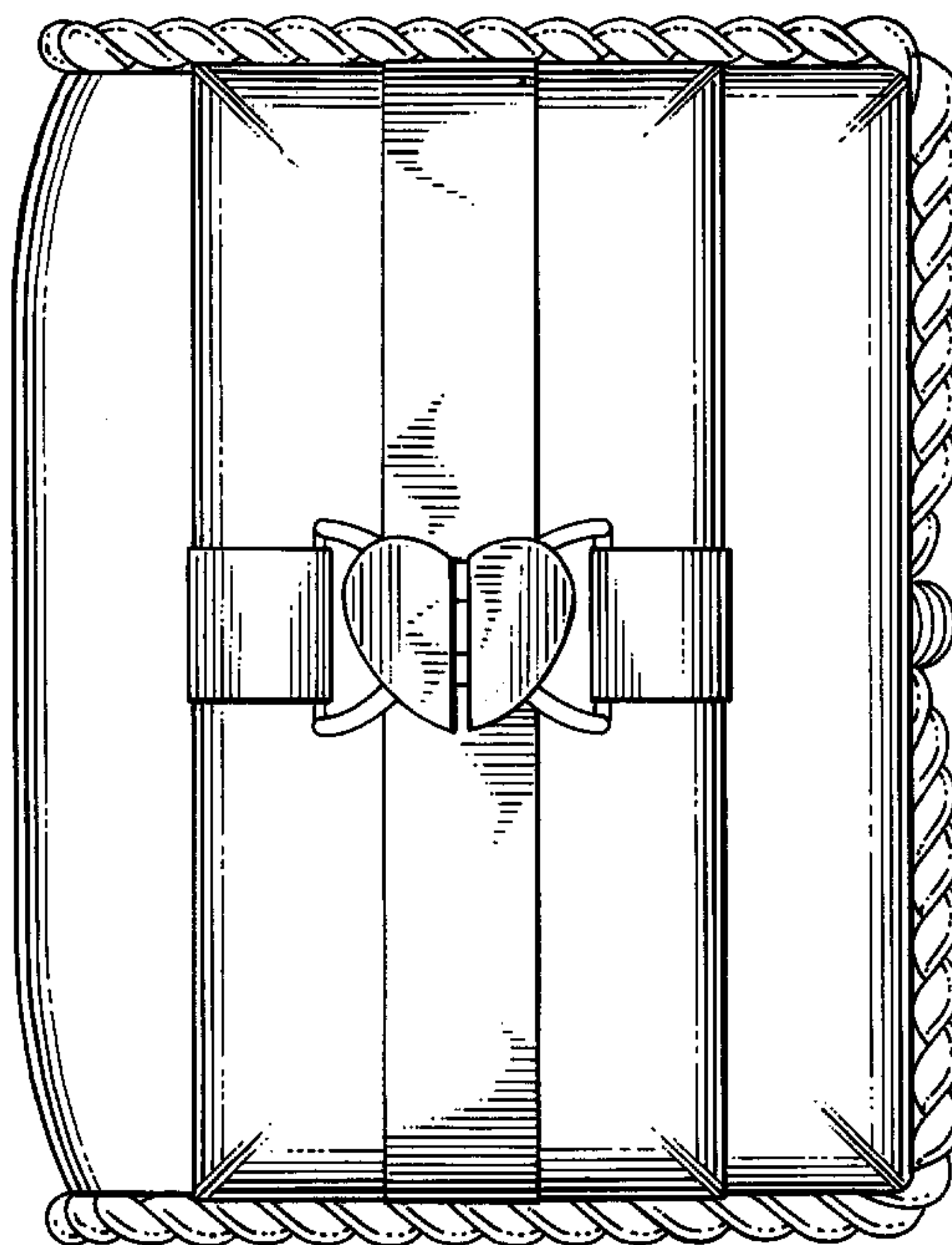
FIG. 2 is a front view thereof;

FIG. 3 is a side view thereof;

FIG. 4 is a rear view thereof; and,

FIG. 5 is a bottom view thereof.

1 Claim, 3 Drawing Sheets



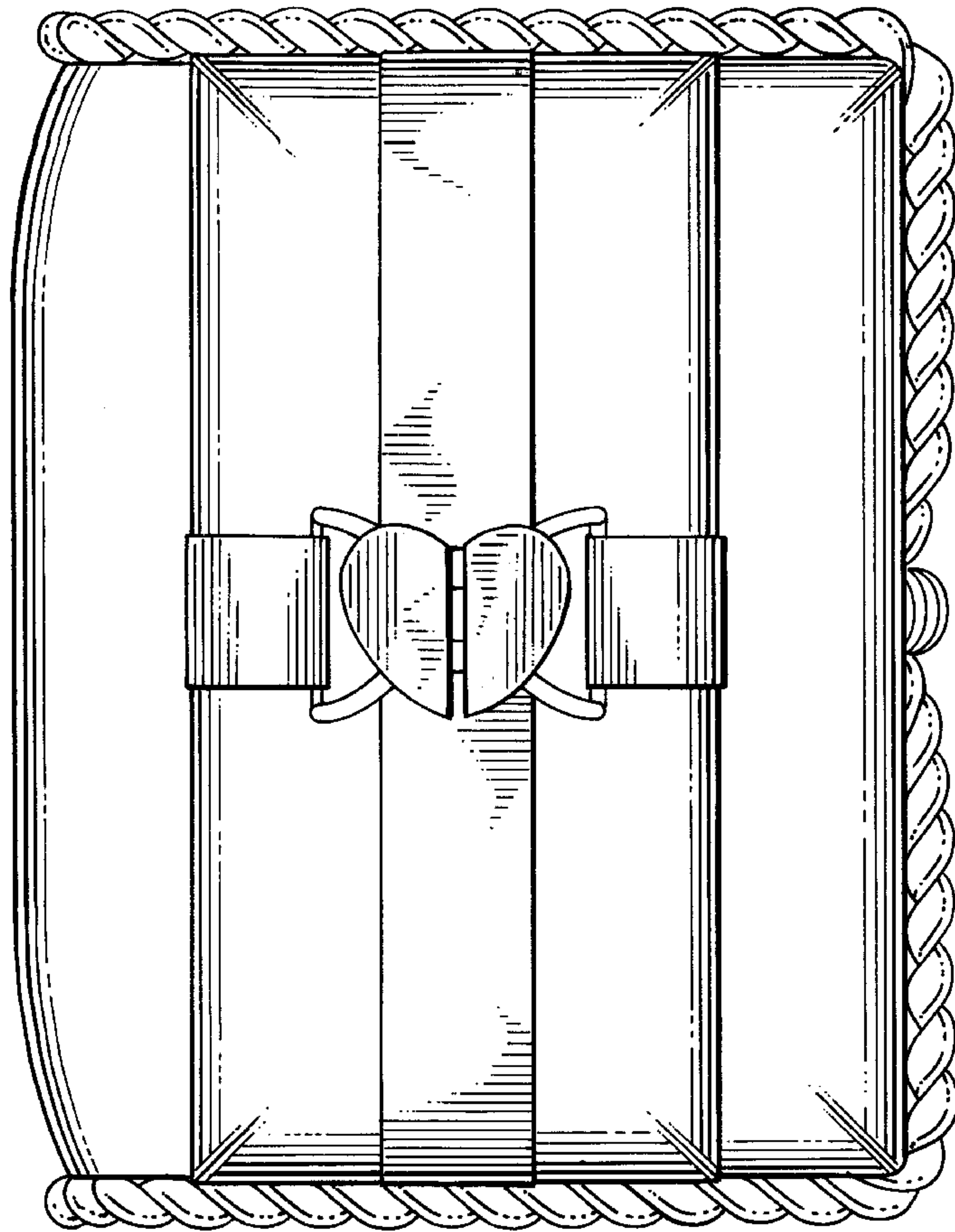


FIG. 1

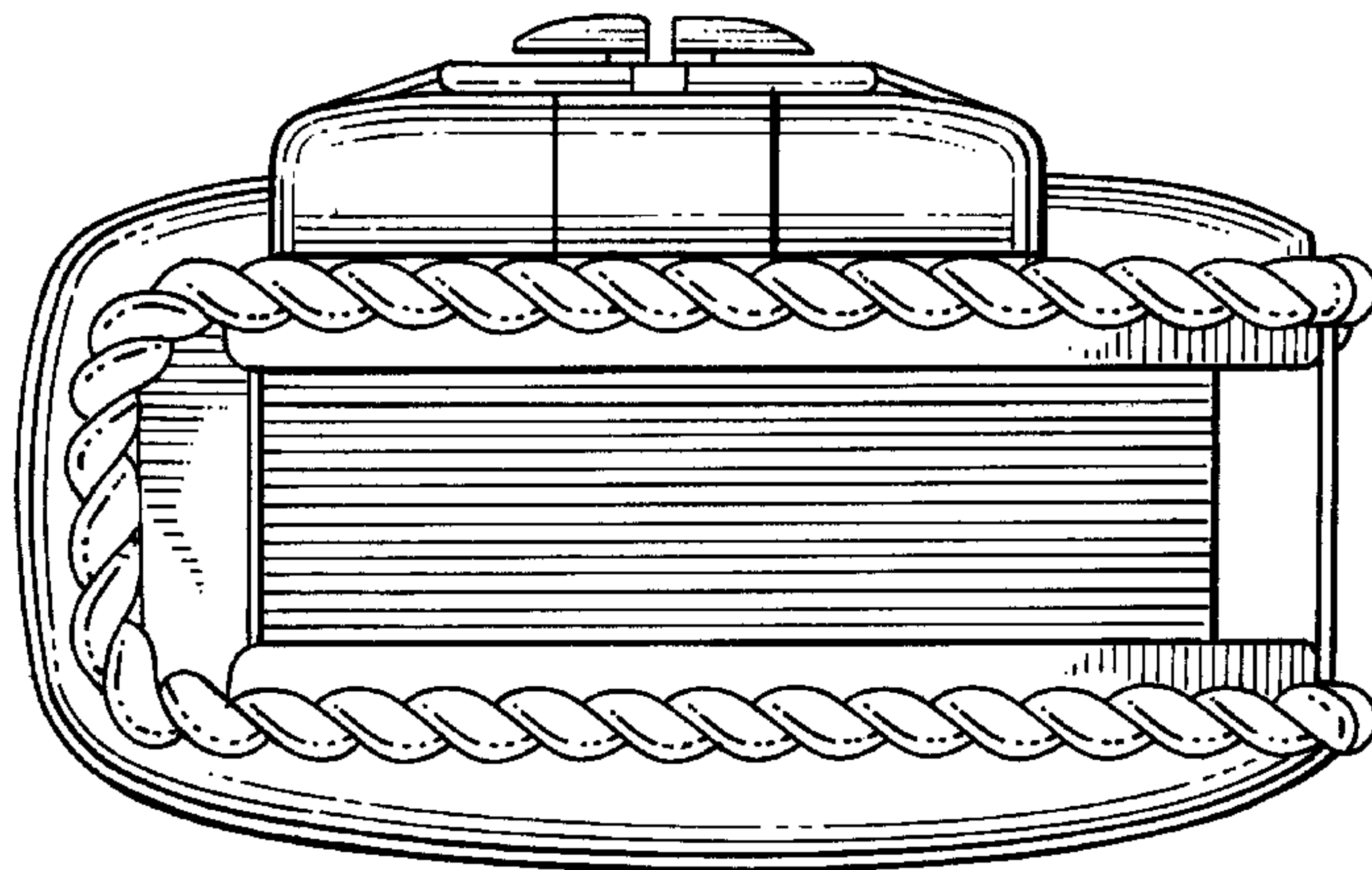


FIG. 3

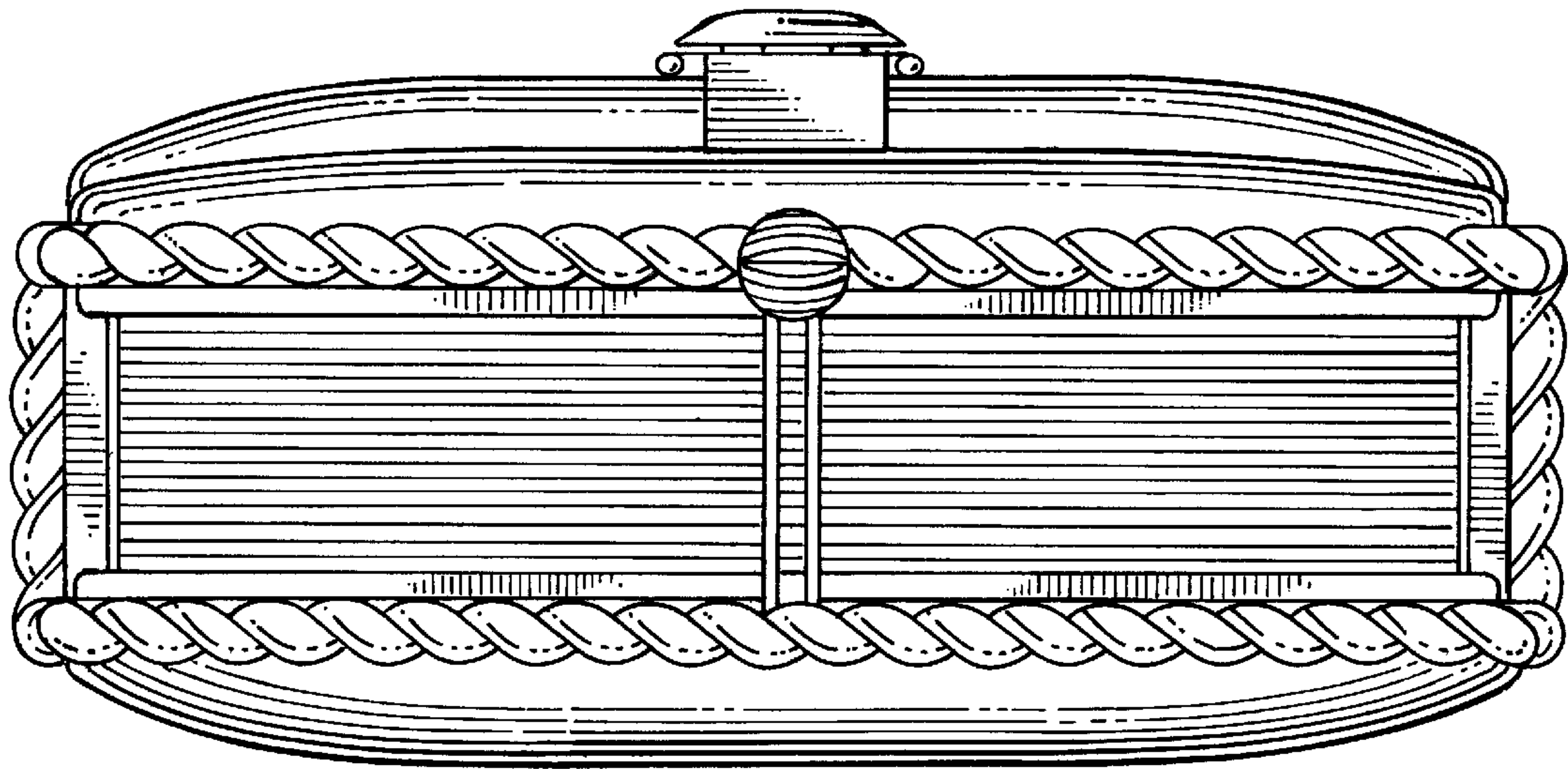


FIG. 2

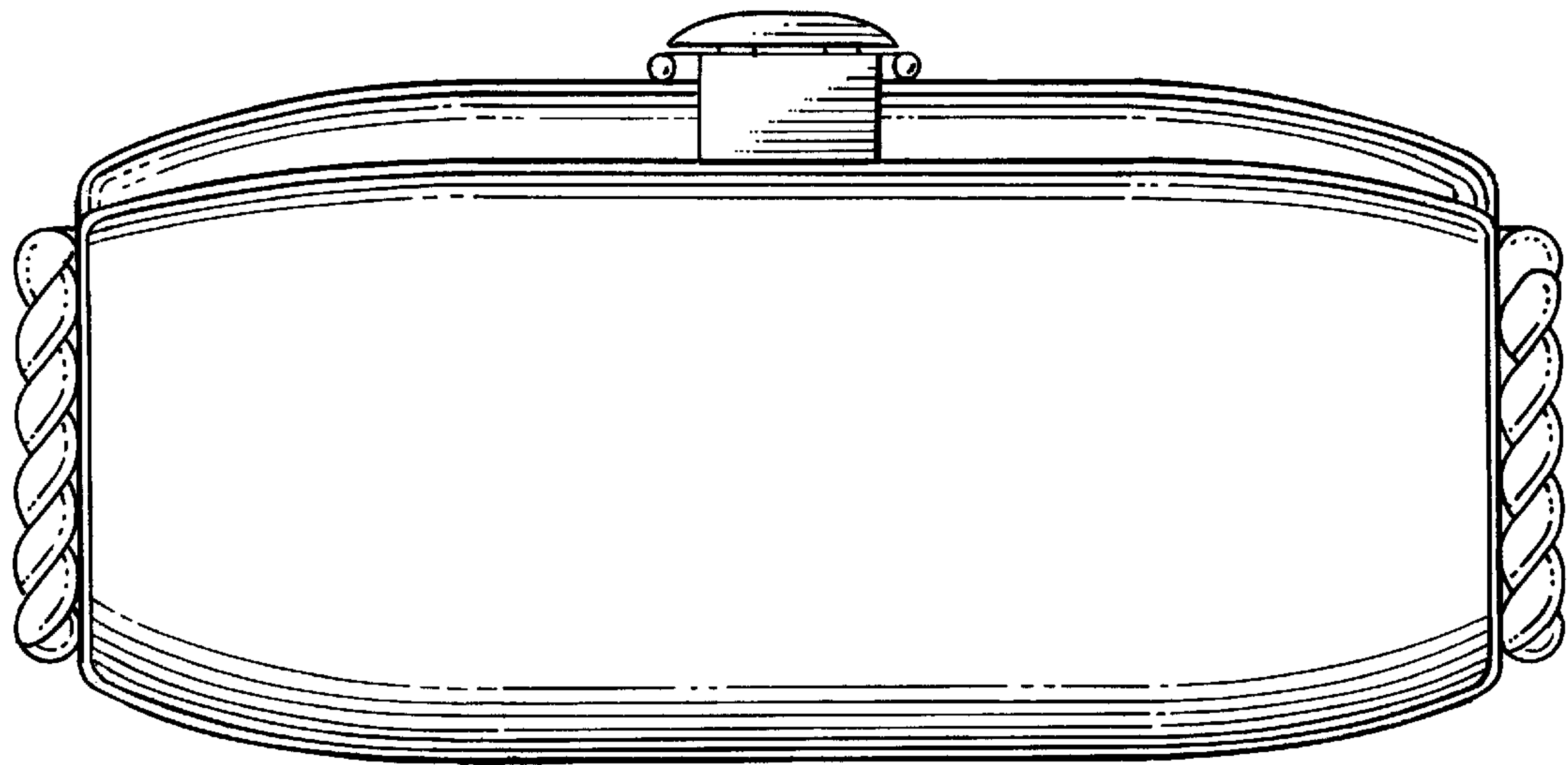


FIG. 4

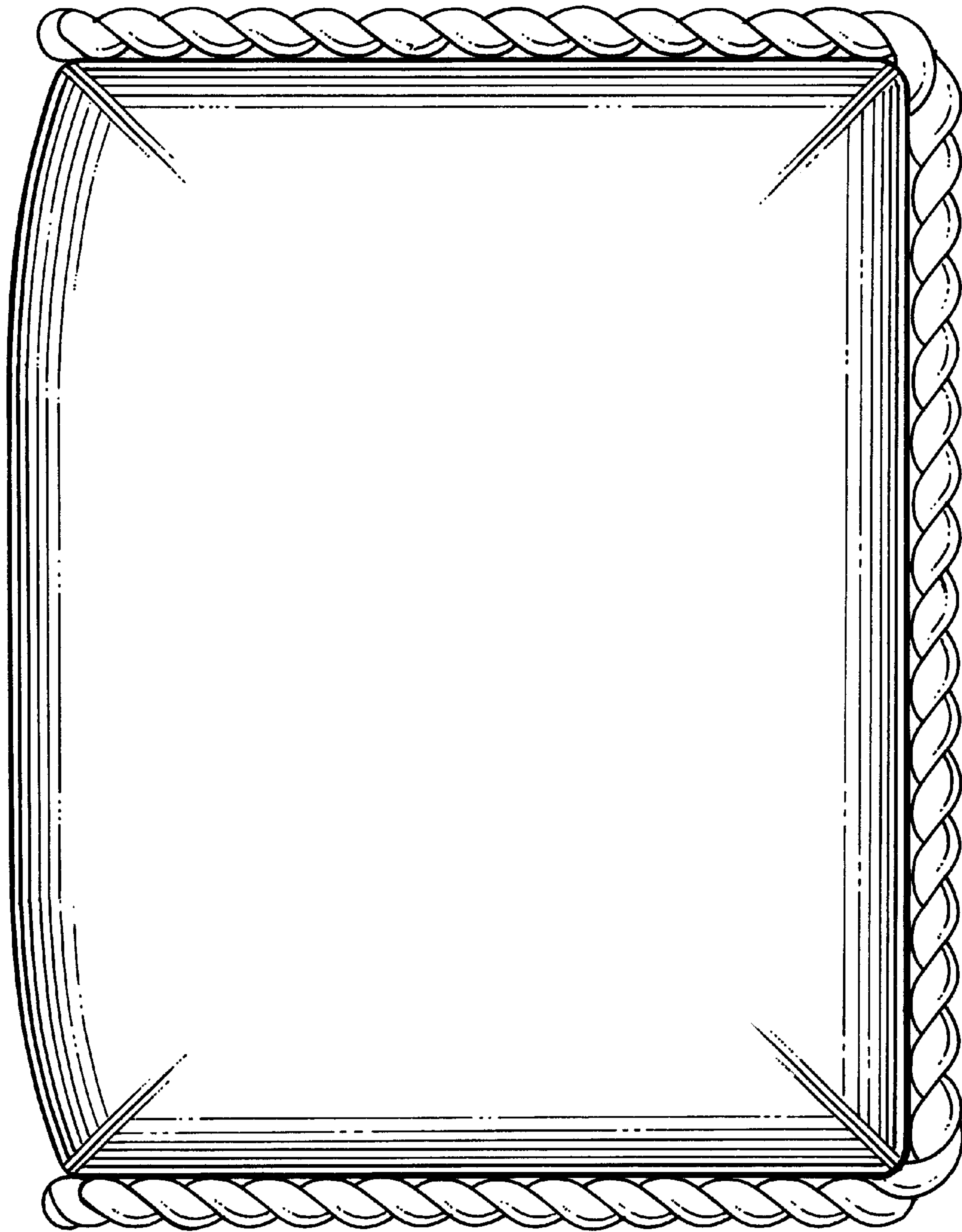


FIG. 5