



US00D513410S

(12) **United States Design Patent** (10) **Patent No.:** **US D513,410 S**  
**Moriya et al.** (45) **Date of Patent:** **\*\* Jan. 3, 2006**

(54) **COMBINED DIGITAL VIDEO DISC RECORDER AND HARD DISK RECORDER**

(75) Inventors: **Toshiyuki Moriya**, Tokorozawa (JP); **Minoru Ikeda**, Inagi (JP); **Yoshihiro Iwama**, Kokubunji (JP); **Yasunori Kawauchi**, Mito (JP)

(73) Assignee: **Hitachi, Ltd.**, Tokyo (JP)

(\*\*) Term: **14 Years**

(21) Appl. No.: **29/208,231**

(22) Filed: **Jun. 28, 2004**

(30) **Foreign Application Priority Data**

Dec. 26, 2003 (JP) ..... 2003-038528

(51) **LOC (8) Cl.** ..... **14-01**

(52) **U.S. Cl.** ..... **D14/136**

(58) **Field of Classification Search** ..... D14/135-136, D14/156-157, 160-165, 167-168, 192-198, D14/188, 217, 257, 258, 445; 360/99.02, 360/99.07; 369/75.11, 75.21, 77.21, 77.11; 720/612, 619, 647, 655; 455/344, 347-351

See application file for complete search history.

(56) **References Cited**

**U.S. PATENT DOCUMENTS**

D312,826 S	*	12/1990	Hong	.....	D14/135
D356,083 S	*	3/1995	Ogawa et al.	.....	D14/135
D429,706 S	*	8/2000	Miyazaki	.....	D14/135
D472,534 S	*	4/2003	Ueno et al.	.....	D14/136

\* cited by examiner

*Primary Examiner*—Nanda Bondade

(74) *Attorney, Agent, or Firm*—Antonelli, Terry, Stout and Kraus, L.L.P.

(57) **CLAIM**

We claim the ornamental design for a combined digital video disc recorder and hard disk recorder, as shown.

**DESCRIPTION**

FIG. 1 is a front, top and right side perspective view of a combined digital video disc recorder and hard disk recorder showing our new design;

FIG. 2 is a front elevational view thereof;

FIG. 3 is a rear elevational view thereof;

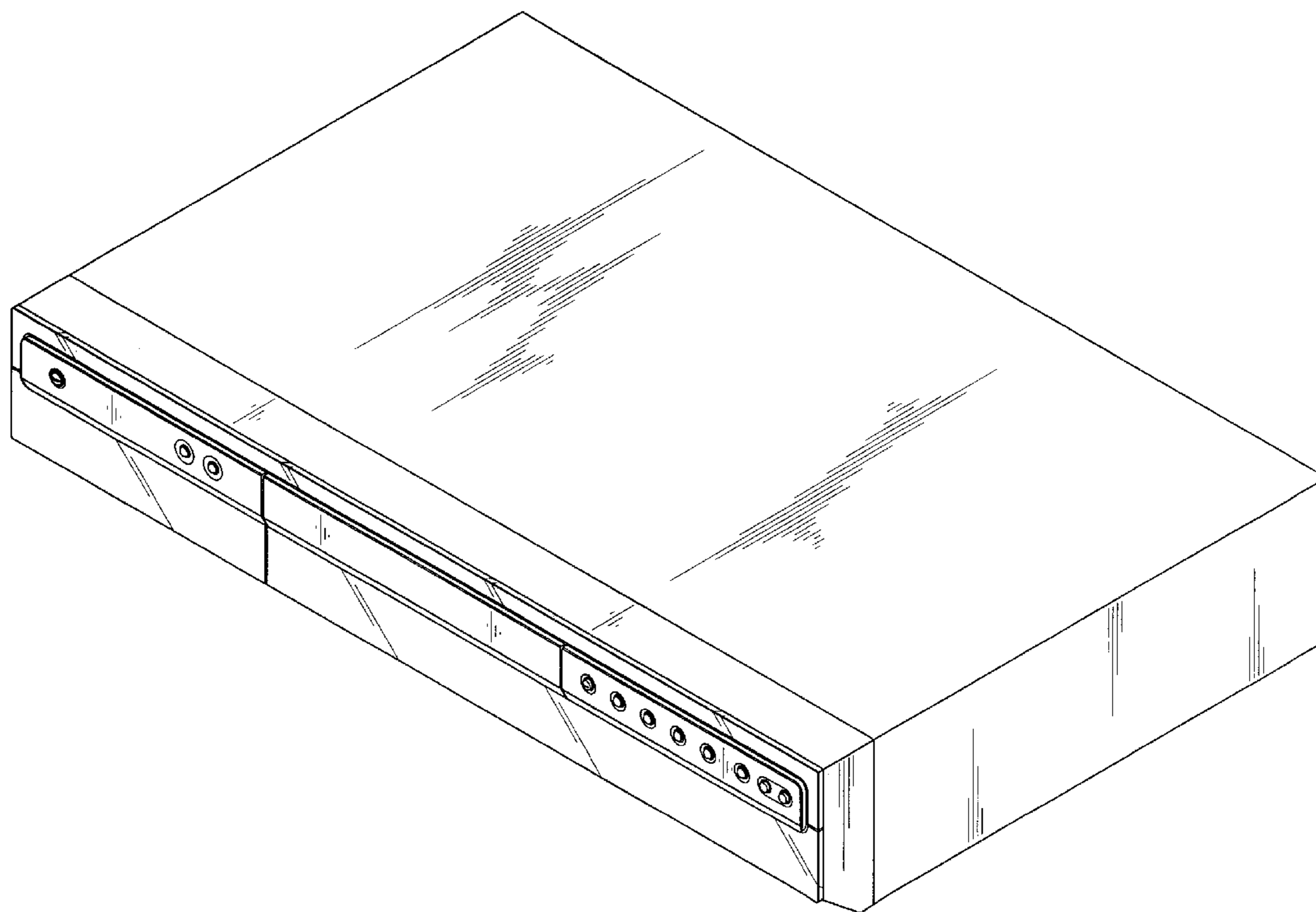
FIG. 4 is a right side elevational view thereof;

FIG. 5 is a left side elevational view thereof;

FIG. 6 is a top plan elevational view thereof; and,

FIG. 7 is a bottom plan elevational view thereof.

**1 Claim, 5 Drawing Sheets**



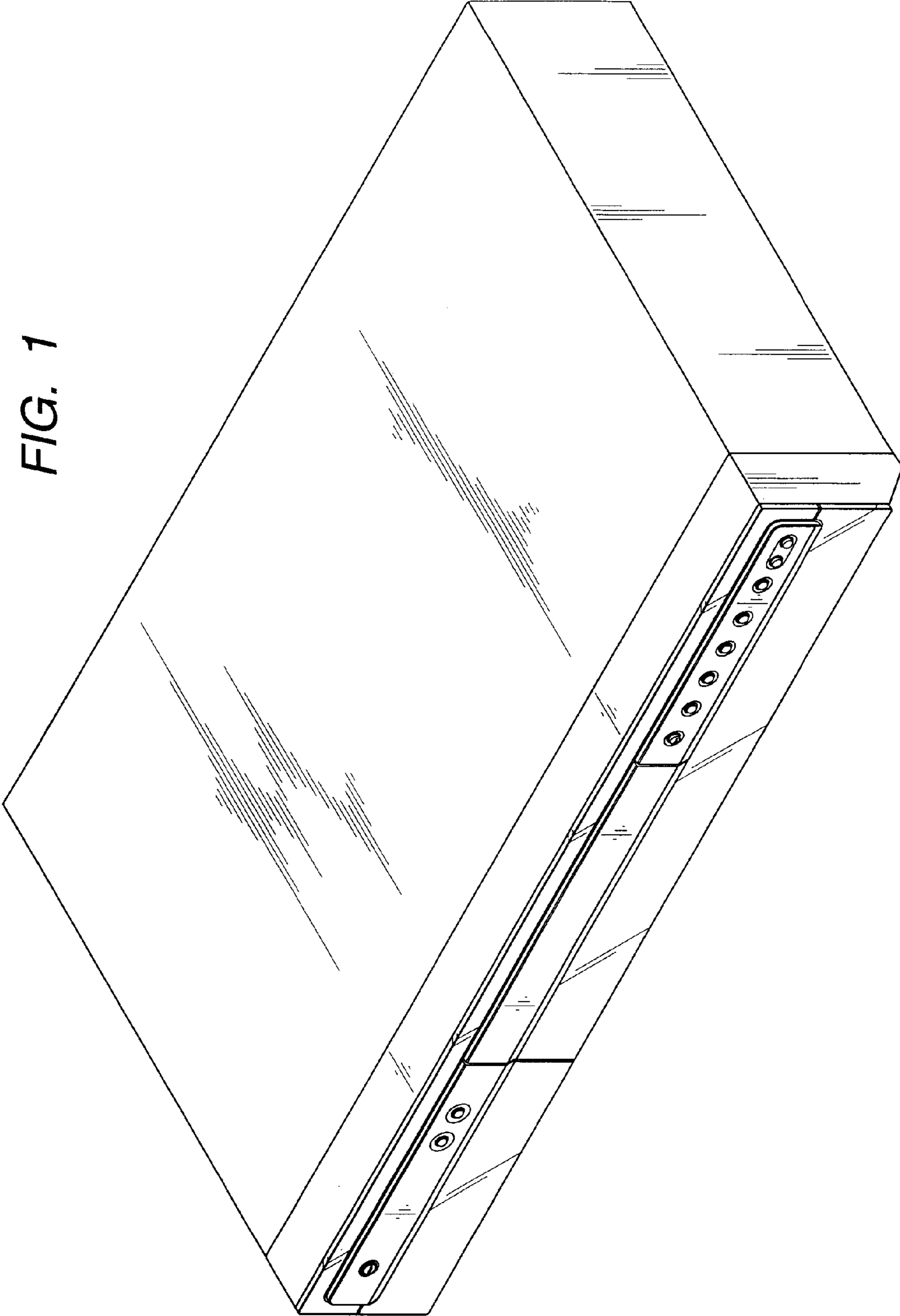


FIG. 1

FIG. 2

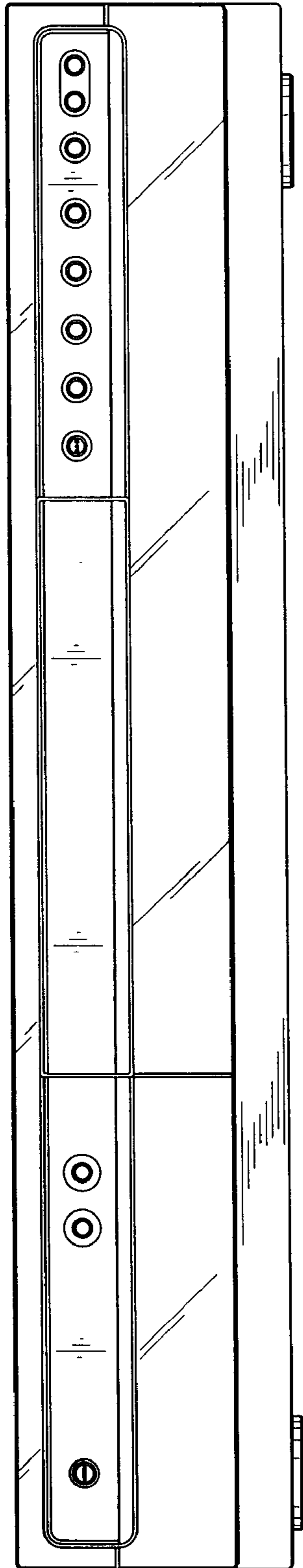
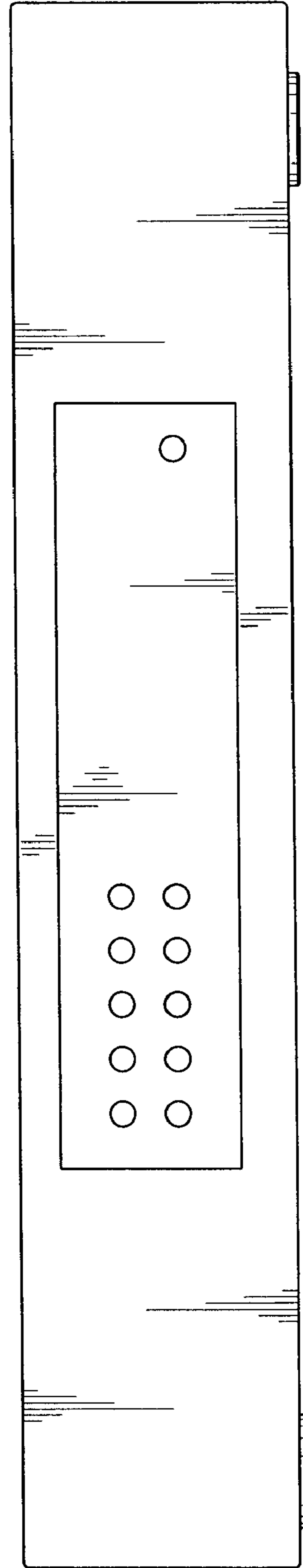
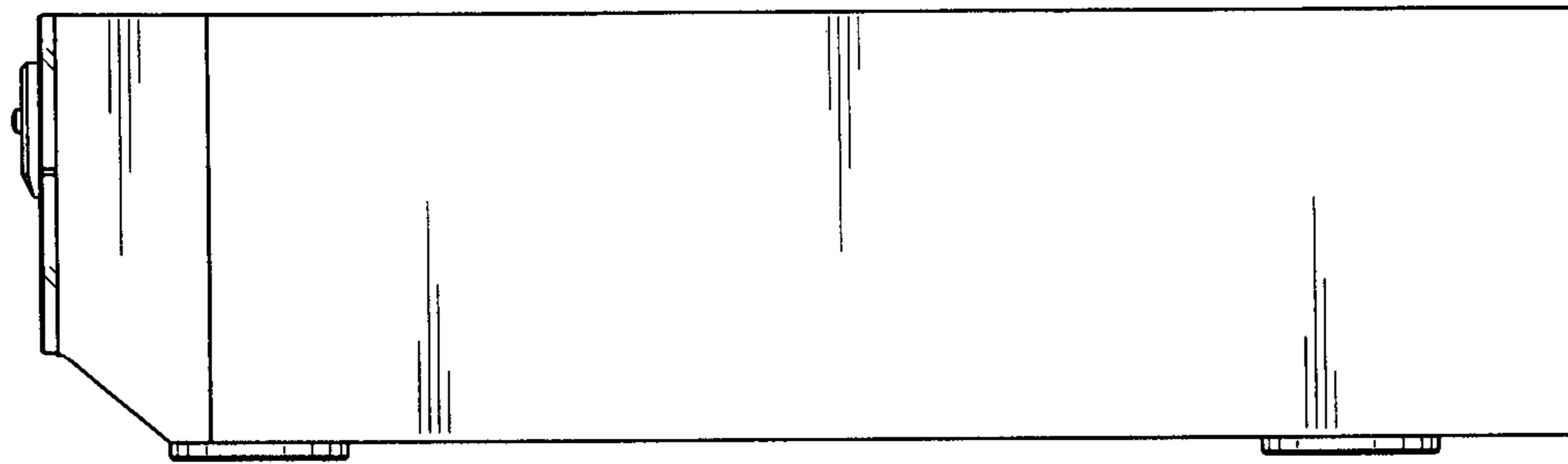


FIG. 3



*FIG. 4*



*FIG. 5*

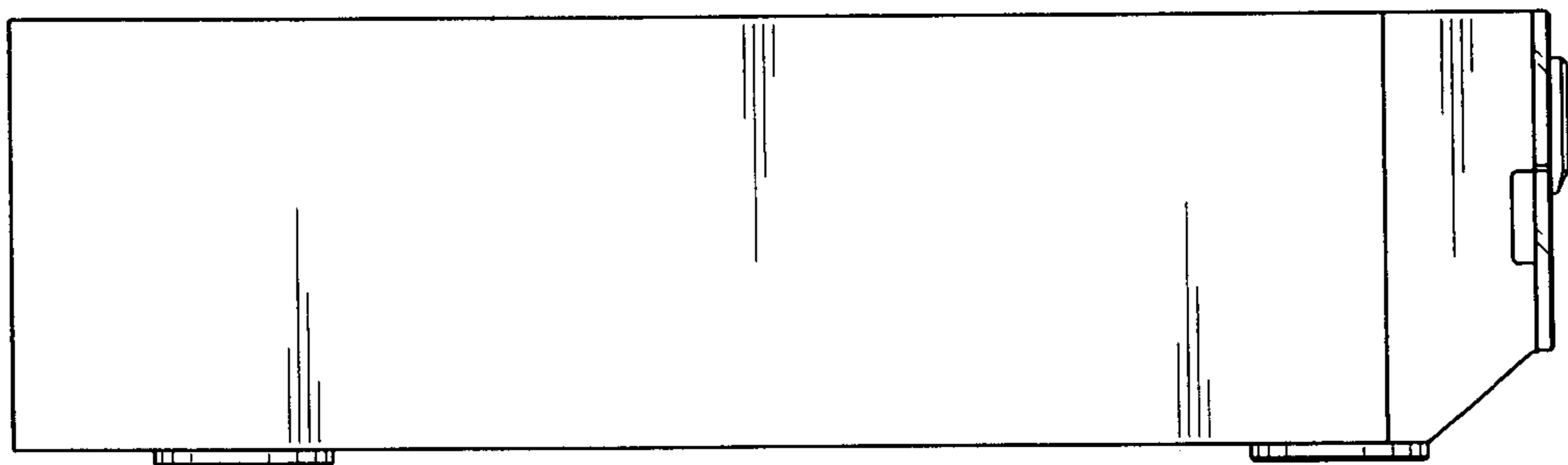


FIG. 6

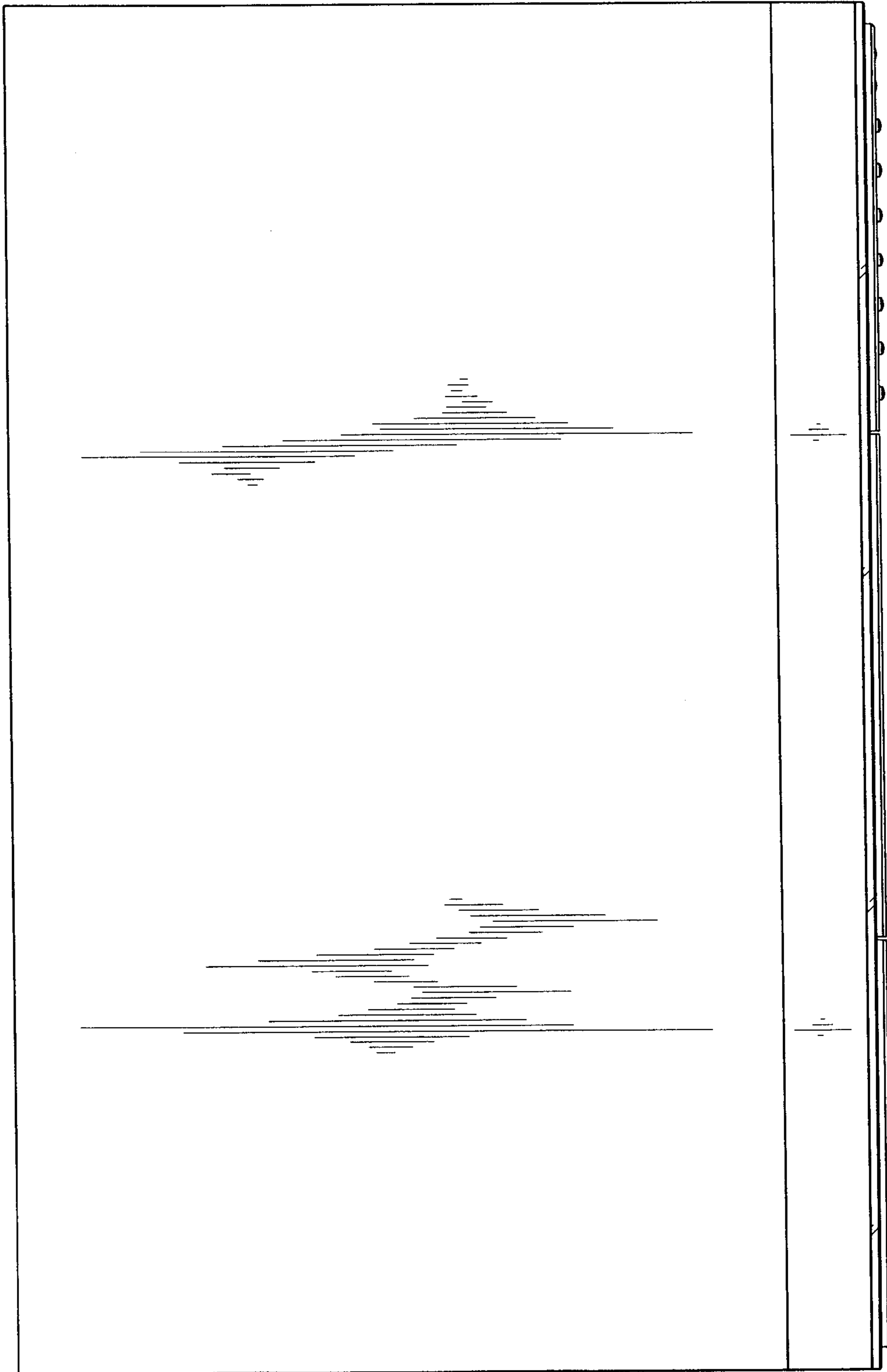


FIG. 7

