



US00D513409S

(12) **United States Design Patent**
Suckle

(10) **Patent No.:** **US D513,409 S**
(45) **Date of Patent:** **** Jan. 3, 2006**

- (54) **STRAIGHT SCART CABLE HEAD**
- (75) Inventor: **Mitchell Suckle**, Long Beach, CA (US)
- (73) Assignee: **Belkin Corporation**, Compton, CA (US)
- (**) Term: **14 Years**
- (21) Appl. No.: **29/217,877**
- (22) Filed: **Nov. 22, 2004**
- (51) **LOC (8) Cl.** **13-03**
- (52) **U.S. Cl.** **D13/156**
- (58) **Field of Classification Search** D13/133,
D13/147, 154, 156; 439/372, 358, 362, 610,
439/460; D14/256, 433
See application file for complete search history.

- 6,290,530 B1 * 9/2001 Chang 439/378
- D461,452 S * 8/2002 Yeh D13/147
- 2004/0097133 A1 * 5/2004 Liu 439/606
- 2004/0121647 A1 * 6/2004 Chang 439/460

* cited by examiner
Primary Examiner—Holly Baynham
Assistant Examiner—Cynthia M. Chin
 (74) *Attorney, Agent, or Firm*—Bryan Cave LLP

(57) **CLAIM**

The ornamental design for a straight scart cable head, as shown and described.

DESCRIPTION

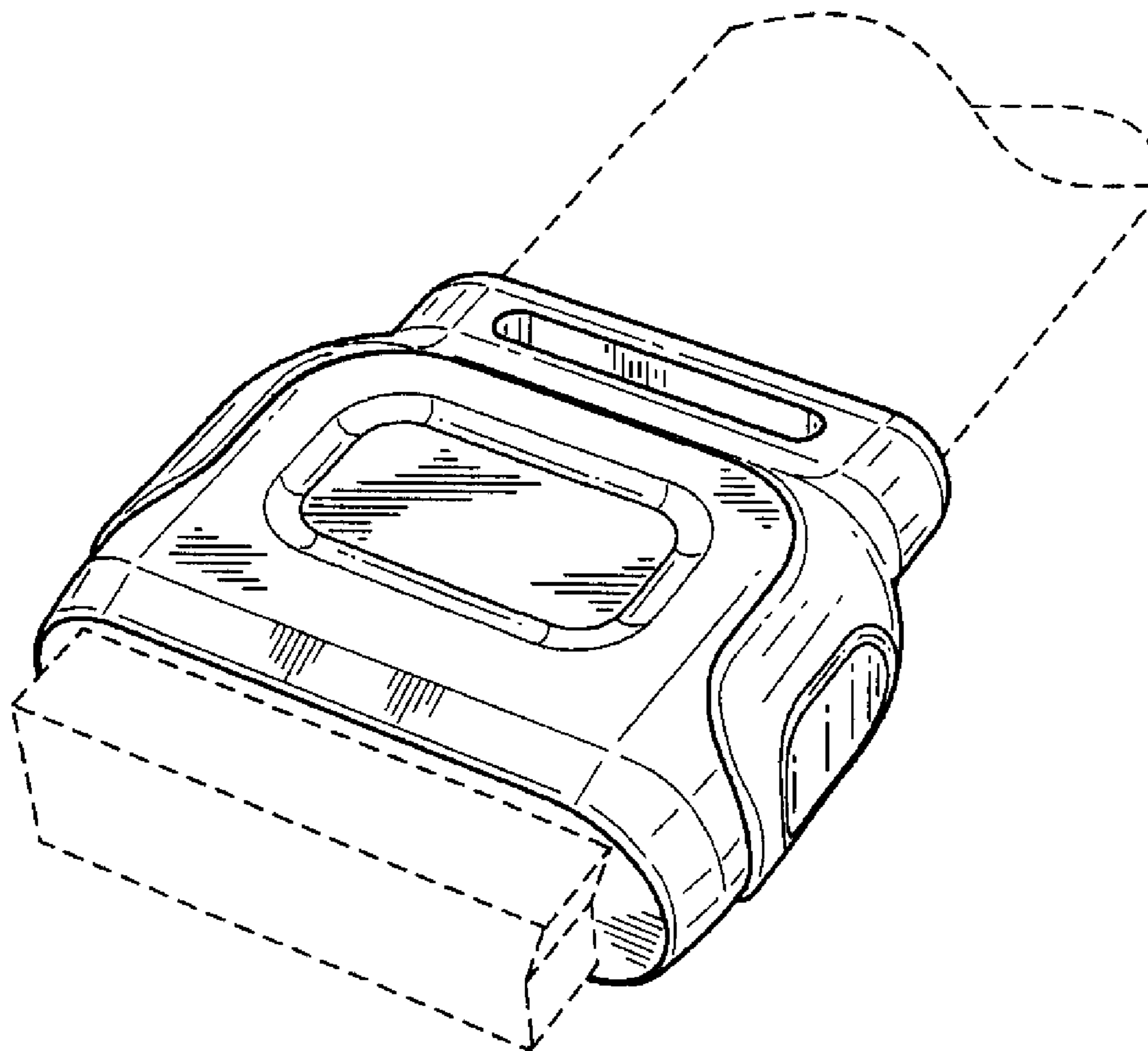
FIG. 1 is a front view of a straight scart cable head;
 FIG. 2 is a rear elevational view thereof;
 FIG. 3 is a left side elevational view thereof;
 FIG. 4 is a right side elevational view thereof;
 FIG. 5 is a top plan view thereof;
 FIG. 6 is a bottom plan view thereof;
 FIG. 7 is a rear, left, bottom perspective view thereof; and,
 FIG. 8 is a front, left, bottom perspective view thereof.
 The broken lines in the drawings are for illustrative purposes only and form no part of the claimed design.

(56) **References Cited**

U.S. PATENT DOCUMENTS

- D368,696 S * 4/1996 Nagele et al. D13/133
- 5,776,646 A * 7/1998 Hagi et al. 430/108.6
- 6,139,365 A * 10/2000 Lok 439/607
- D442,556 S * 5/2001 Milan D13/154
- D442,919 S * 5/2001 Milan D13/154

1 Claim, 2 Drawing Sheets



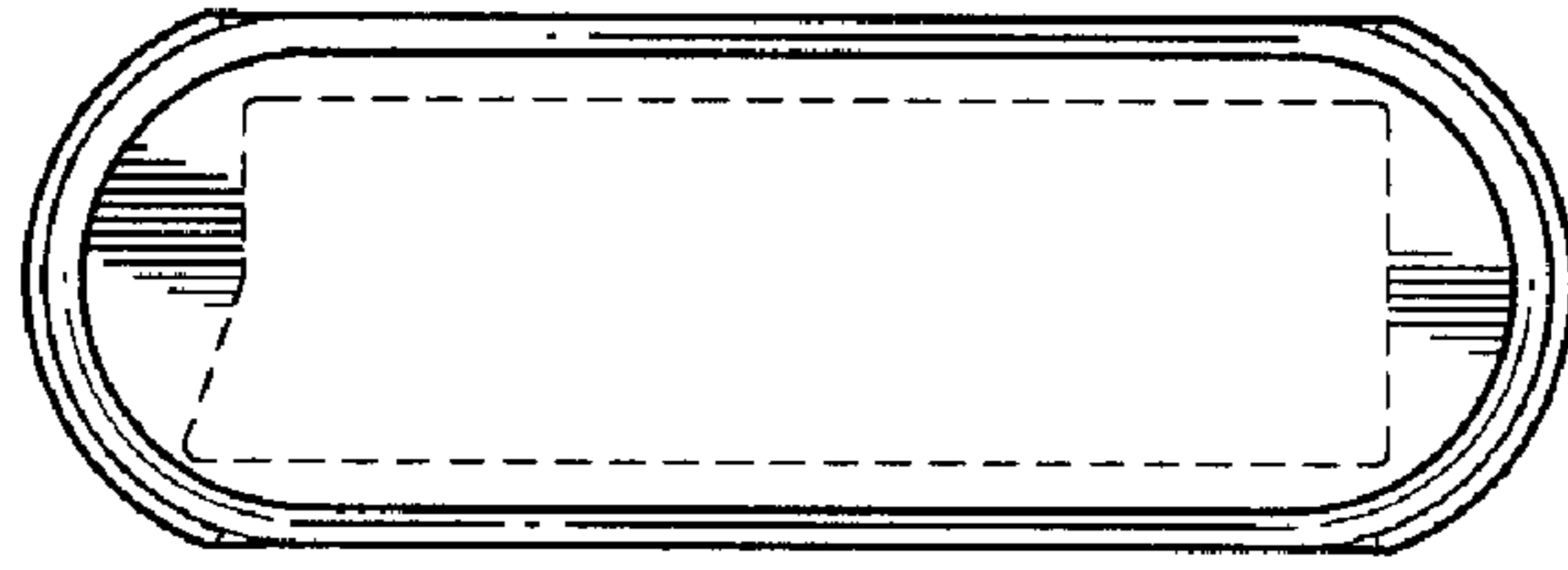


FIG. 1

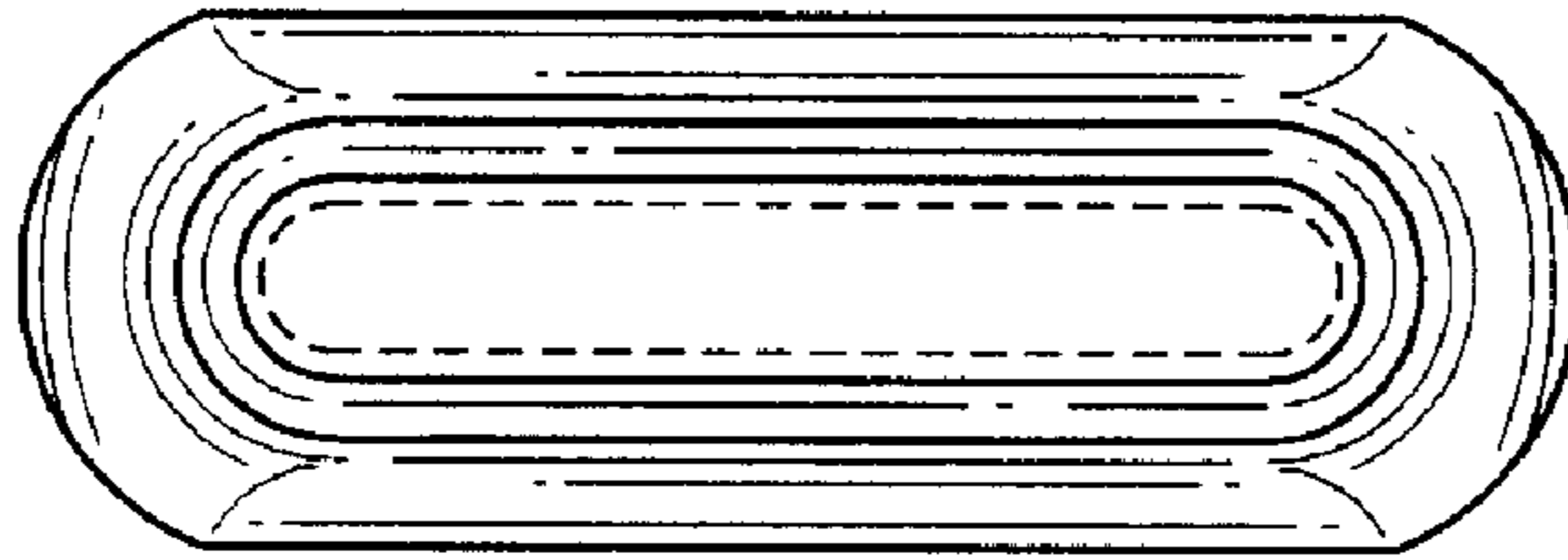


FIG. 2

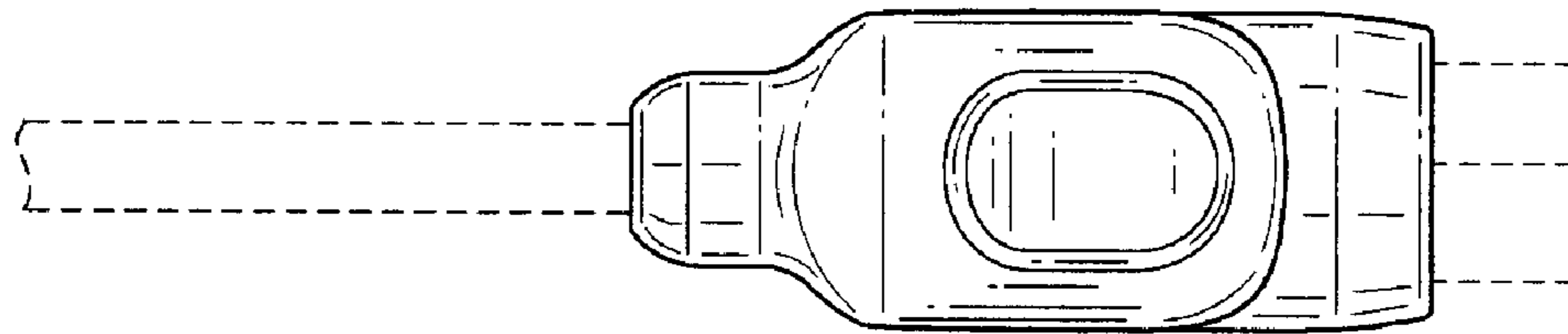


FIG. 3

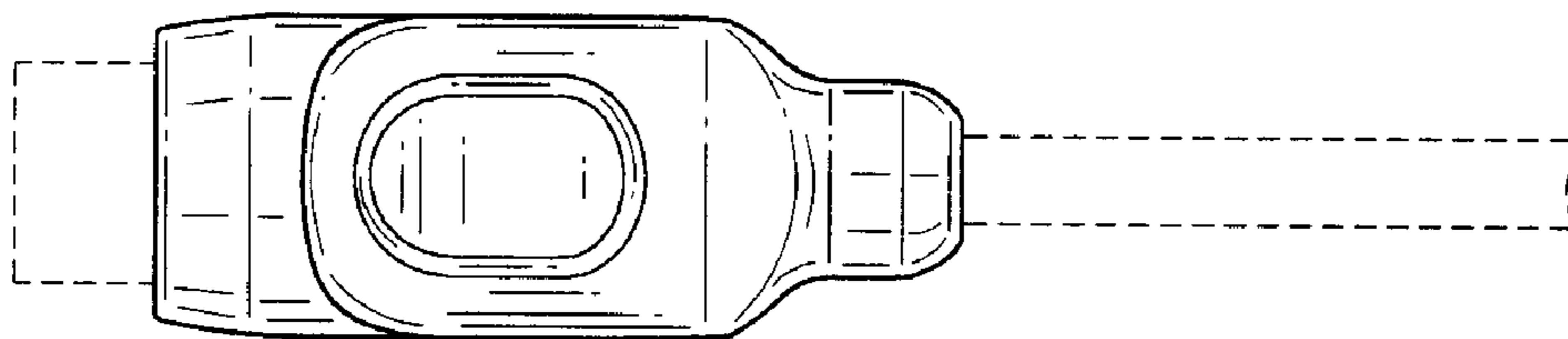


FIG. 4

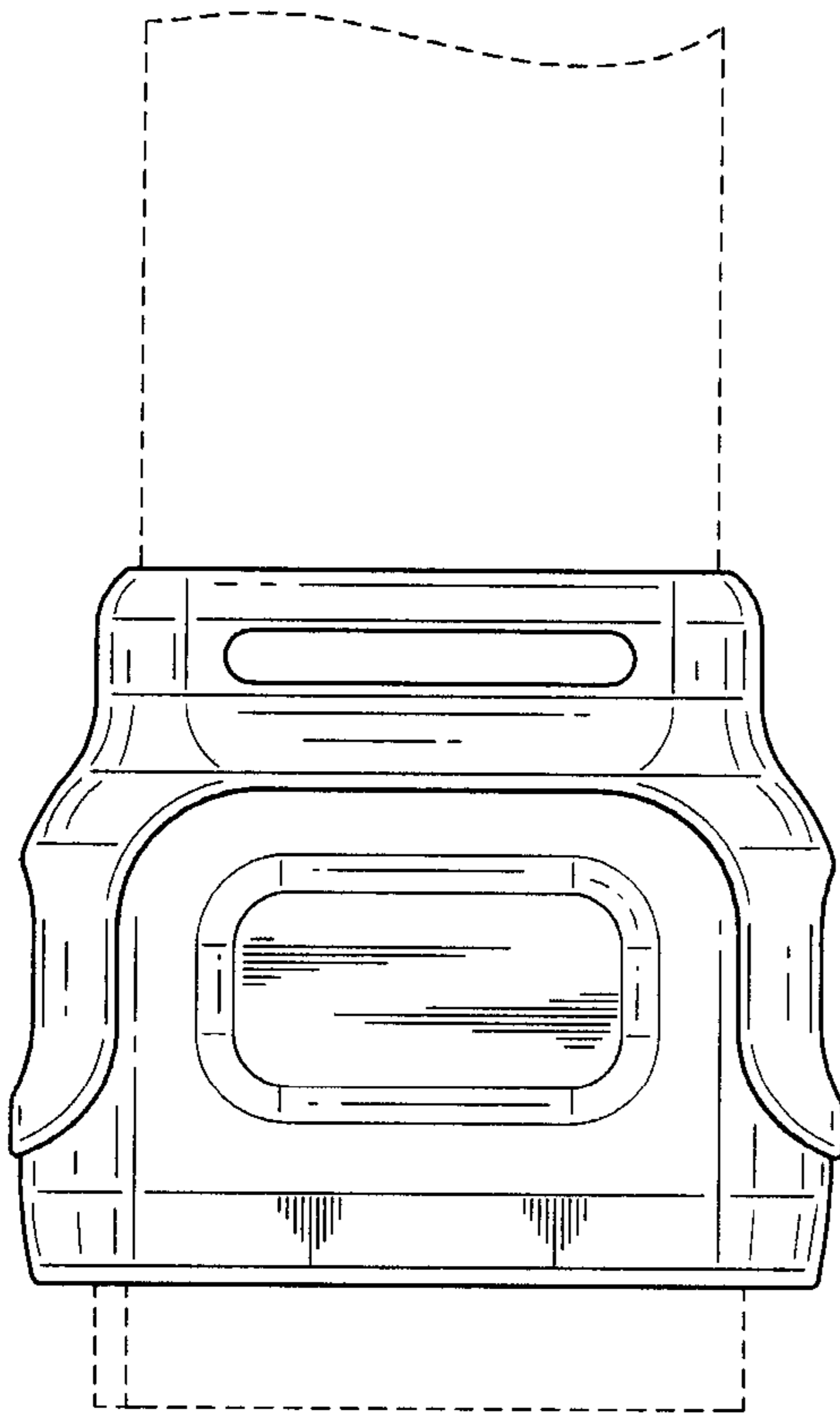


FIG. 5

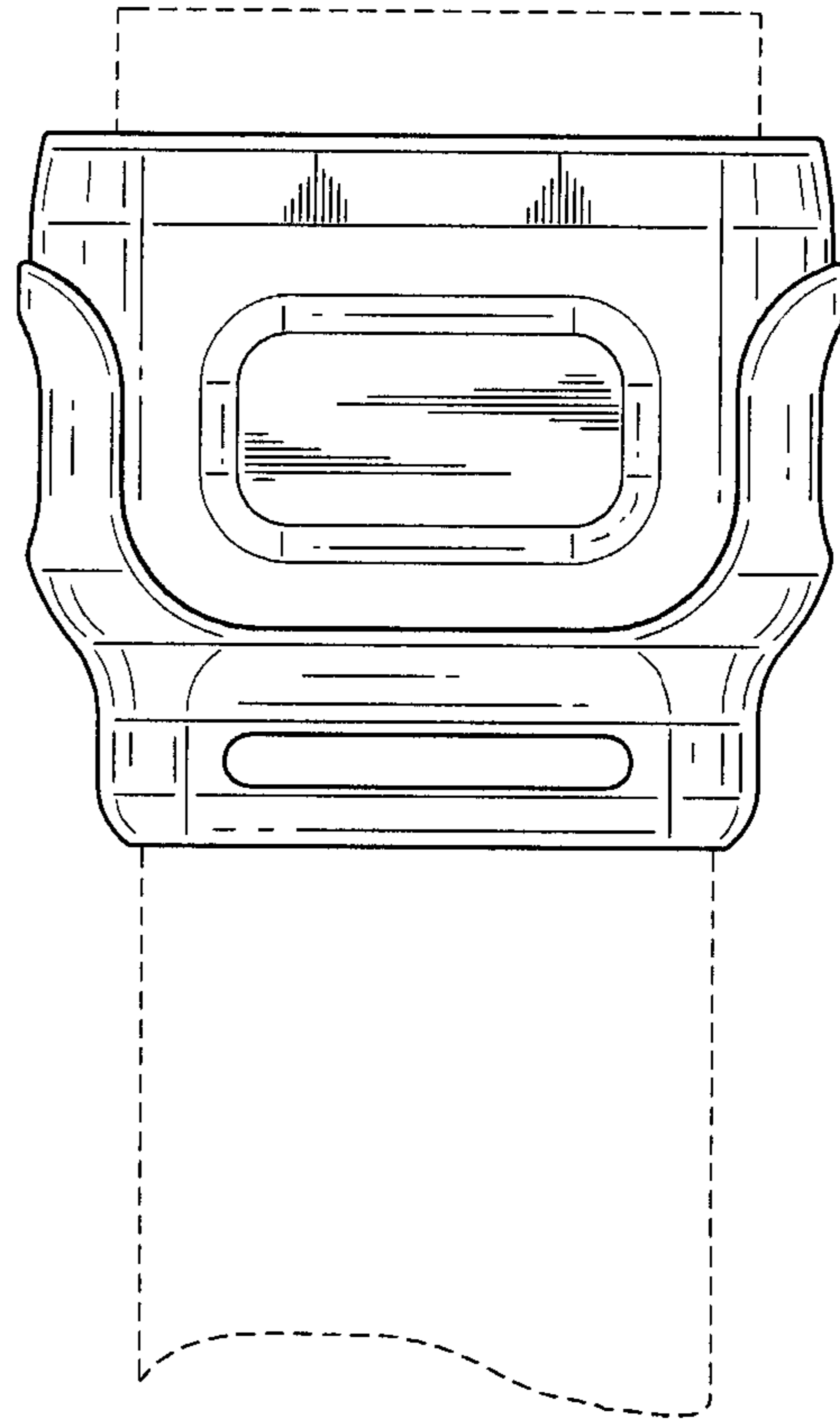


FIG. 6

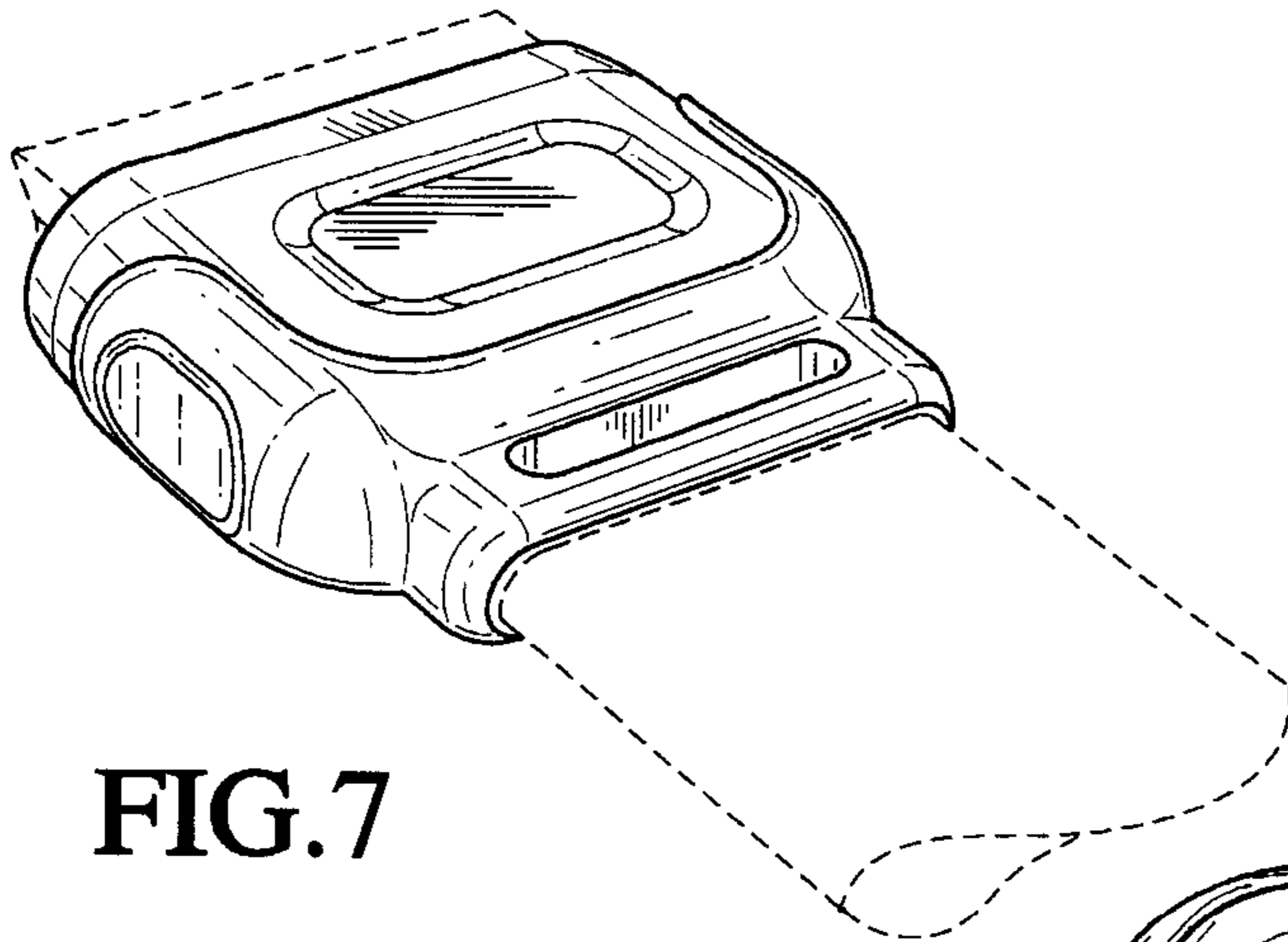


FIG. 7

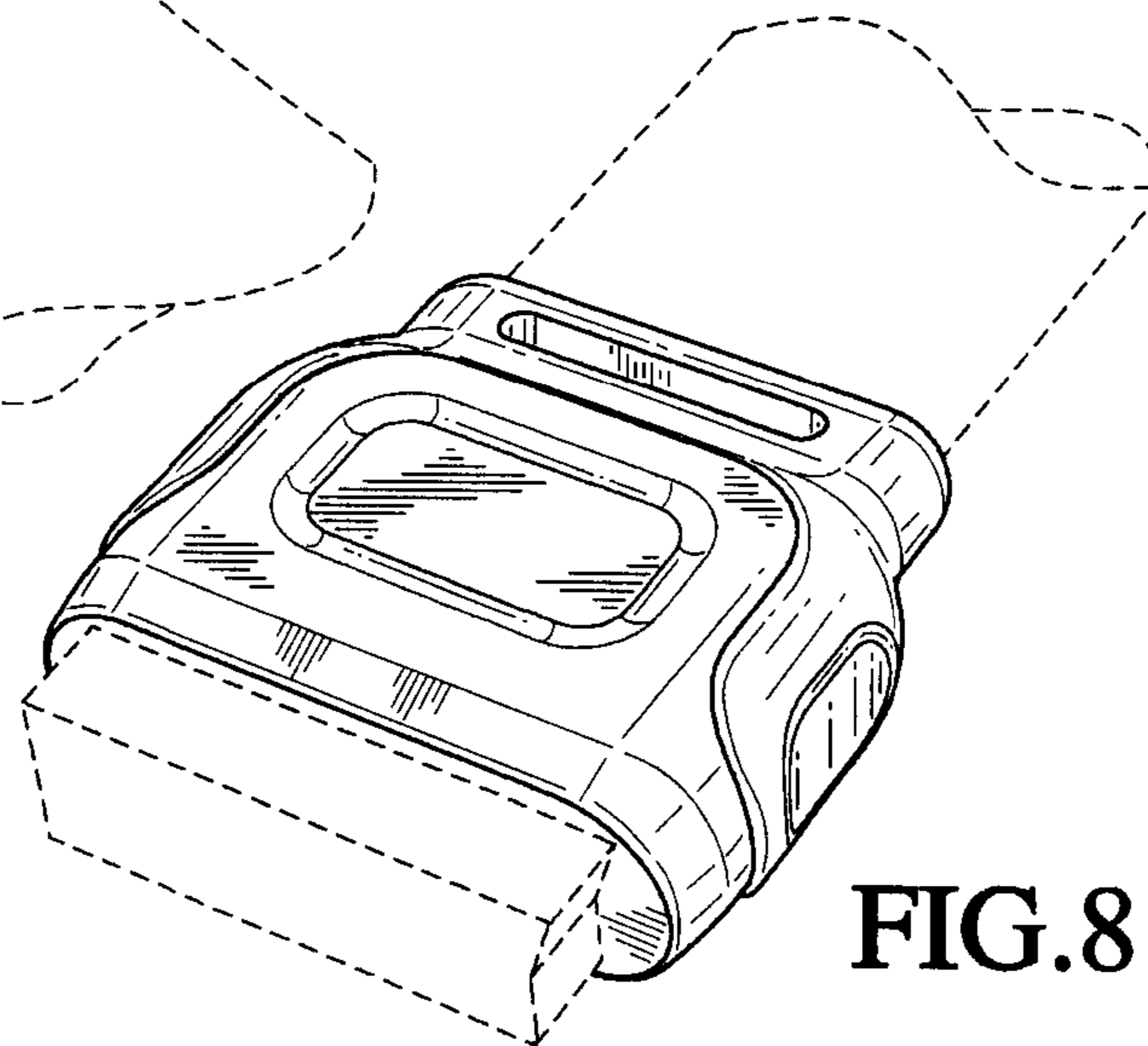


FIG. 8