



US00D513407S

(12) **United States Design Patent**  
**Meister**

(10) **Patent No.:** **US D513,407 S**

(45) **Date of Patent:** **\*\* Jan. 3, 2006**

(54) **CONNECTOR INSERT**

(75) **Inventor:** **Douglas L. Meister**, Loganville, GA (US)

(73) **Assignee:** **Scientific-Atlanta, Inc**, Lawrenceville, GA (US)

(\*\*) **Term:** **14 Years**

(21) **Appl. No.:** **29/219,518**

(22) **Filed:** **Dec. 17, 2004**

(51) **LOC (8) Cl.** ..... **13-03**

(52) **U.S. Cl.** ..... **D13/133; D13/149; D13/147**

(58) **Field of Classification Search** ..... D13/133, D13/146, 147, 153–154, 184, 199; 439/76.1, 439/135, 148–150, 350, 357–358, 606–610  
See application file for complete search history.

(56) **References Cited**

**U.S. PATENT DOCUMENTS**

5,344,335	A	*	9/1994	Scholz et al.	.....	439/357
D417,655	S	*	12/1999	Lin et al.	.....	D13/147
D430,542	S	*	9/2000	Hoferitza et al.	.....	D13/154
D449,820	S	*	10/2001	Lee	.....	D13/147
6,341,986	B1	*	1/2002	Ko	.....	439/610
6,383,003	B1	*	5/2002	Corona	.....	439/278
6,508,671	B2	*	1/2003	Ko	.....	439/610
6,554,650	B2	*	4/2003	Kayworth et al.	.....	439/638

D482,330	S	*	11/2003	Suzuki et al.	.....	D13/147
2001/0031579	A1	*	10/2001	Fujino et al.	.....	439/610
2004/0097133	A1	*	5/2004	Liu	.....	439/606
2005/0085128	A1	*	4/2005	Chai et al.	.....	439/607

\* cited by examiner

*Primary Examiner*—Stella Reid  
*Assistant Examiner*—Daniel Bui

(57) **CLAIM**

The ornamental design of a connector insert, as shown and described.

**DESCRIPTION**

This design application is related to U.S. utility application Ser. No. 11/015,403 filed Dec. 17, 2004, entitled “Connector Insert for Preventing Contamination”, to the same inventors, which is incorporated herein by reference, and having been filed concurrently with the present design application.

FIG. 1 is a perspective view of a connector insert according to the present invention;

FIG. 2 is a left side view thereof;

FIG. 3 is a front view thereof;

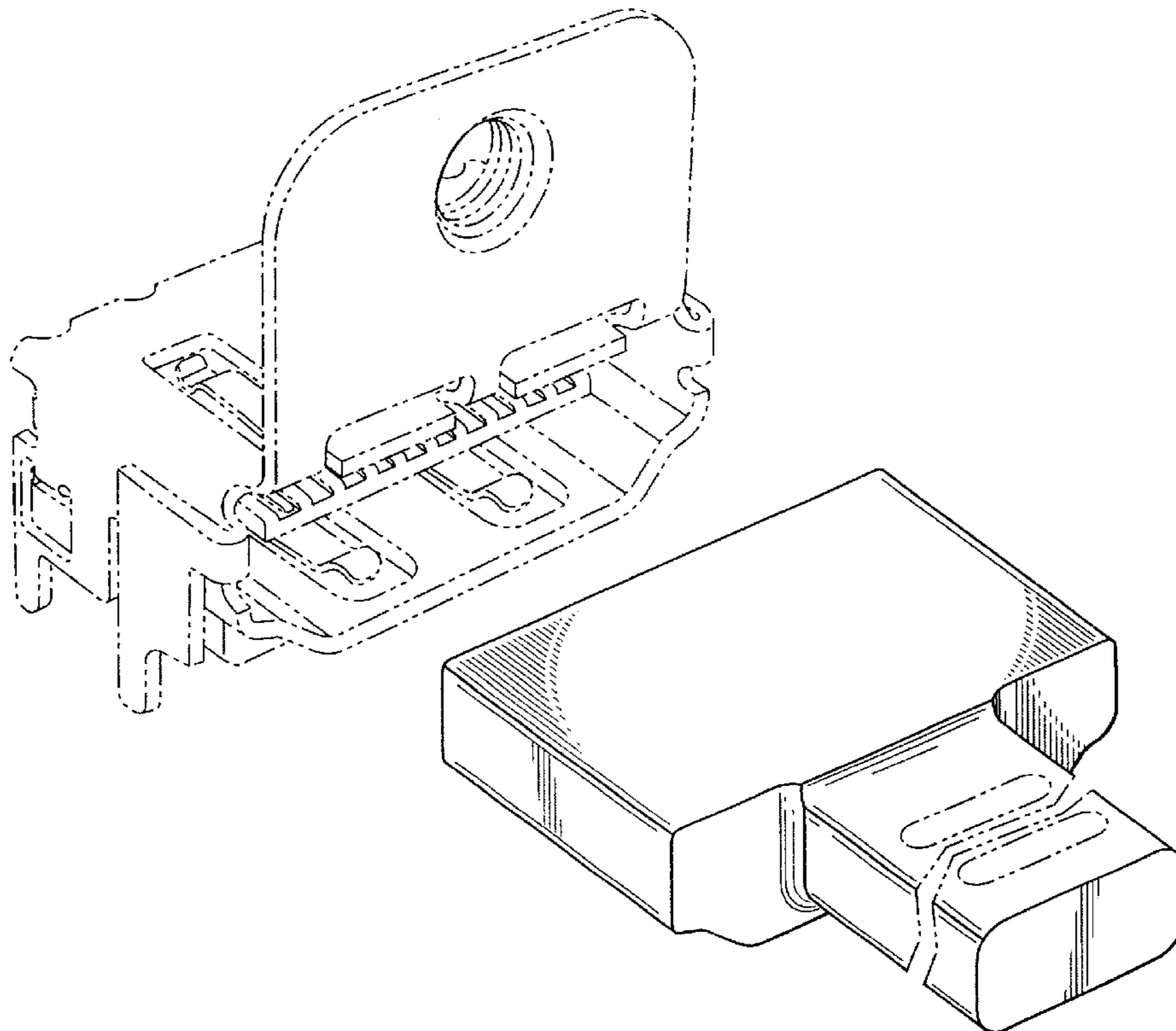
FIG. 4 is a back view thereof;

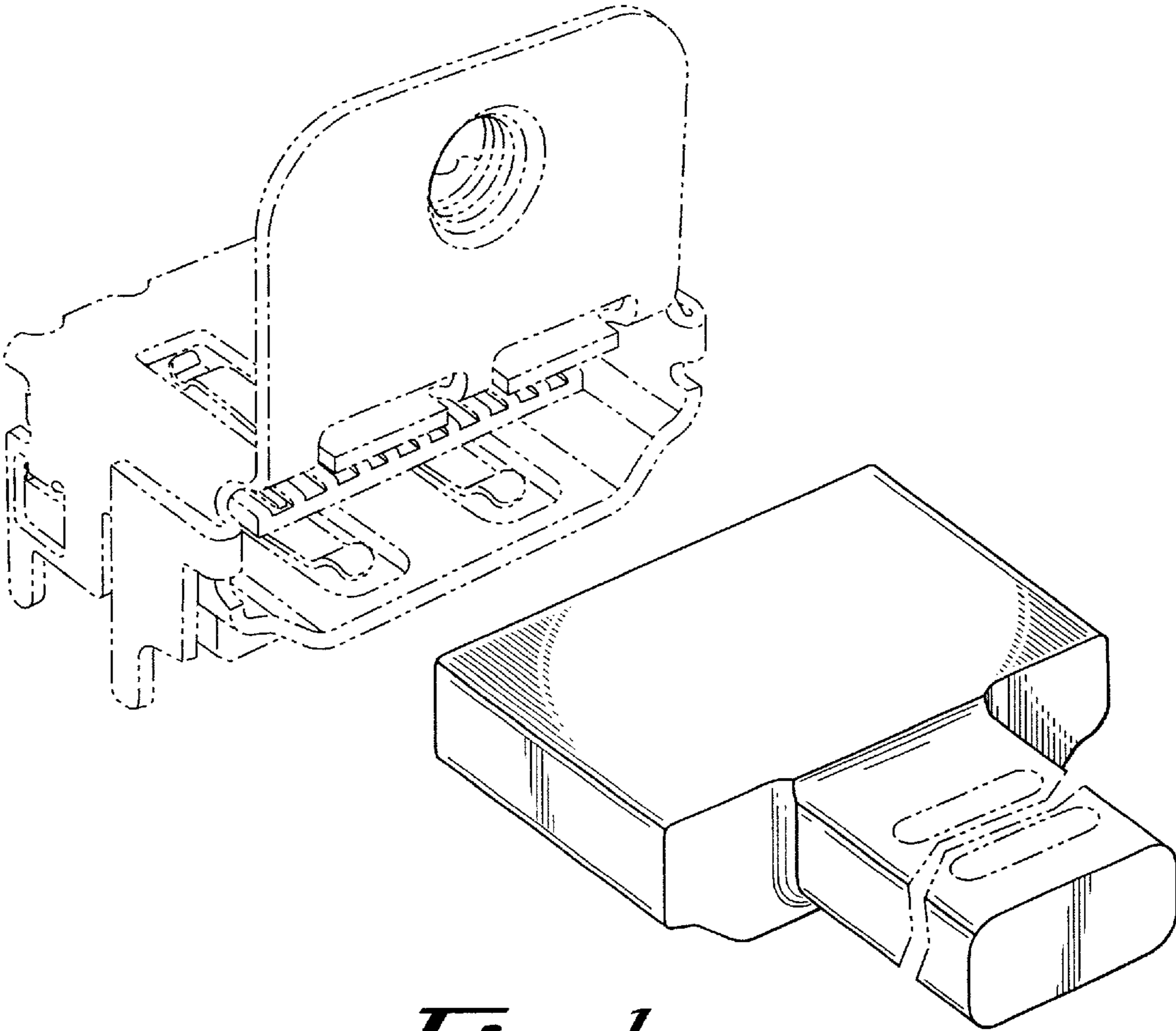
FIG. 5 is a top view thereof; and,

FIG. 6 is a bottom view thereof.

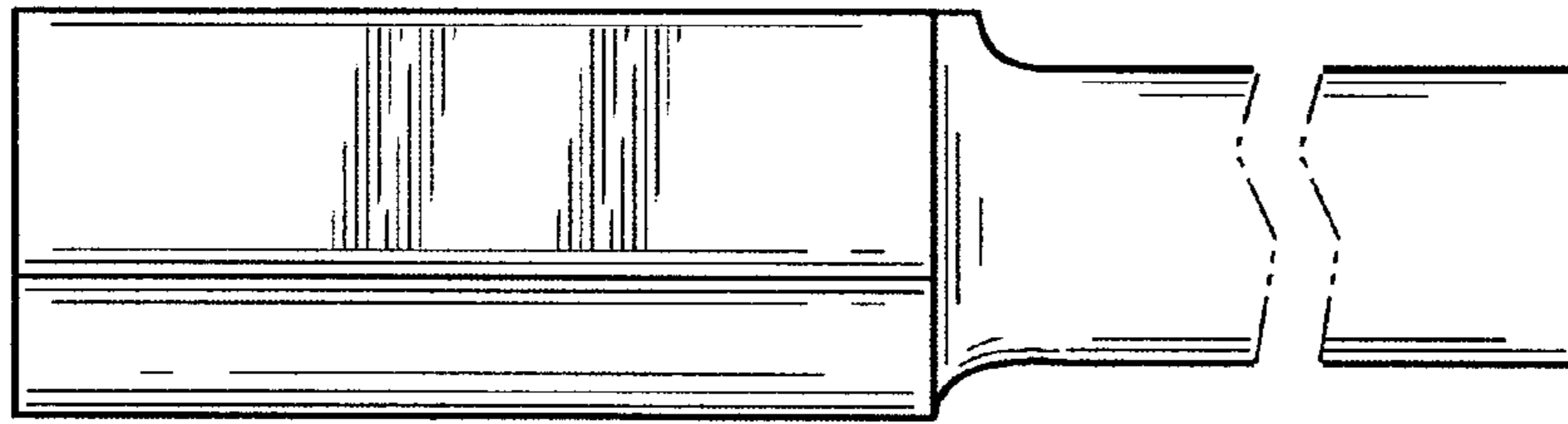
The broken lines in the drawings are for illustrative purposes only and form no part of the claimed design.

**1 Claim, 3 Drawing Sheets**

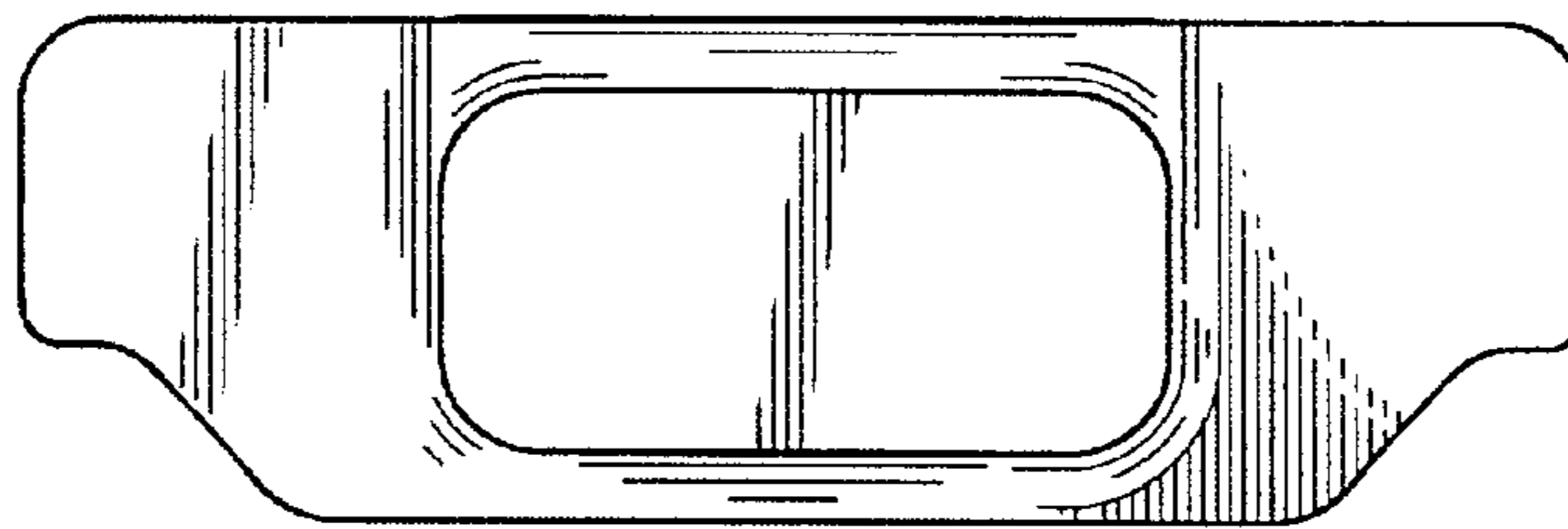




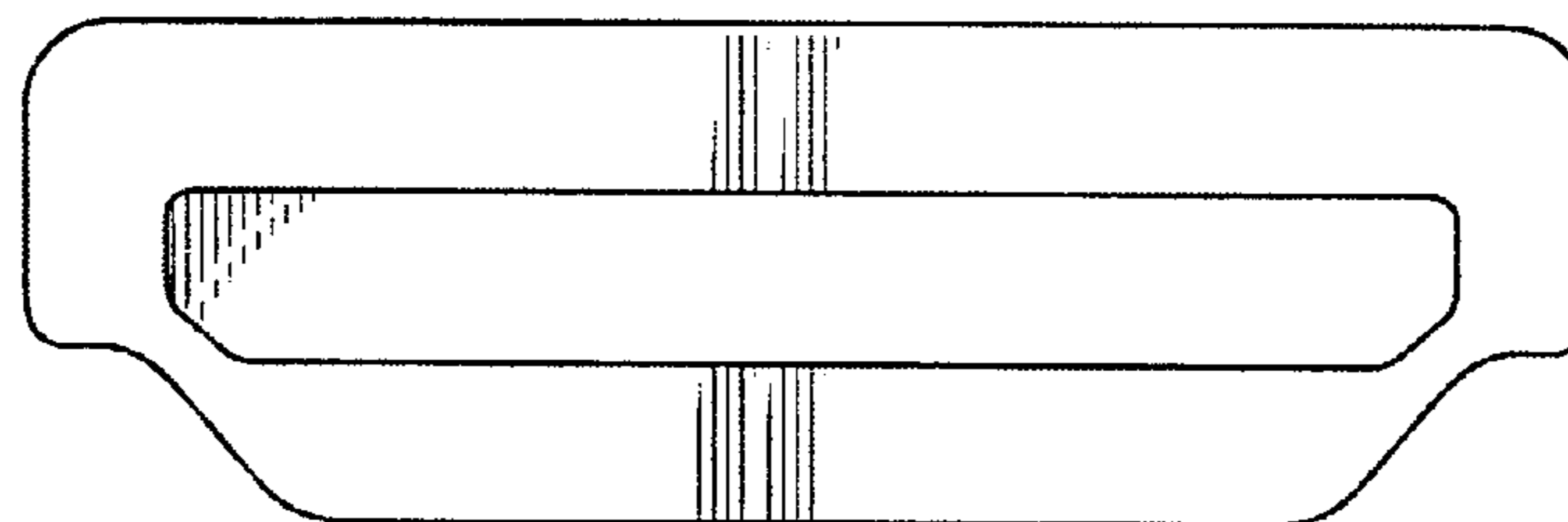
*Fig. 1*



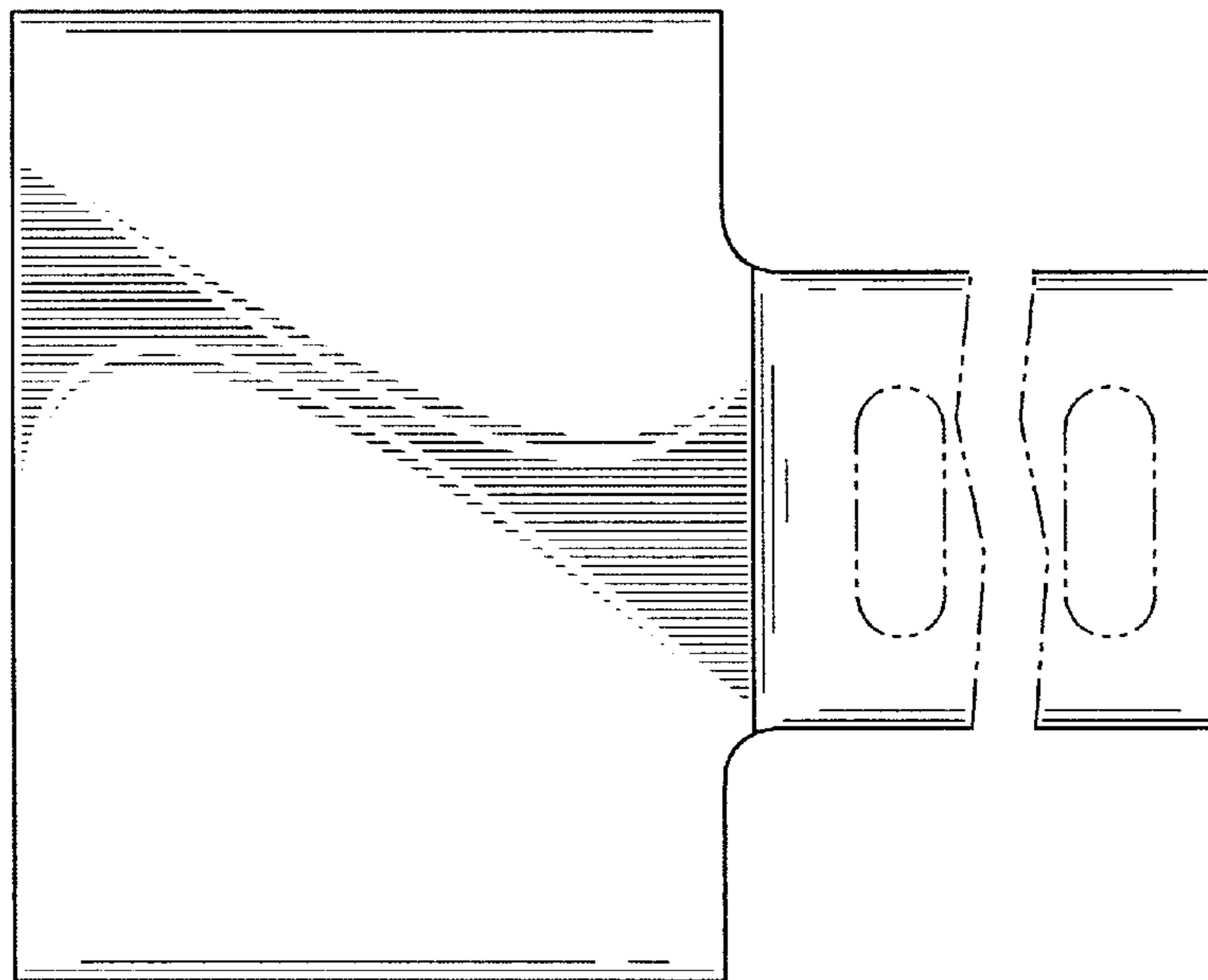
*Fig. 2*



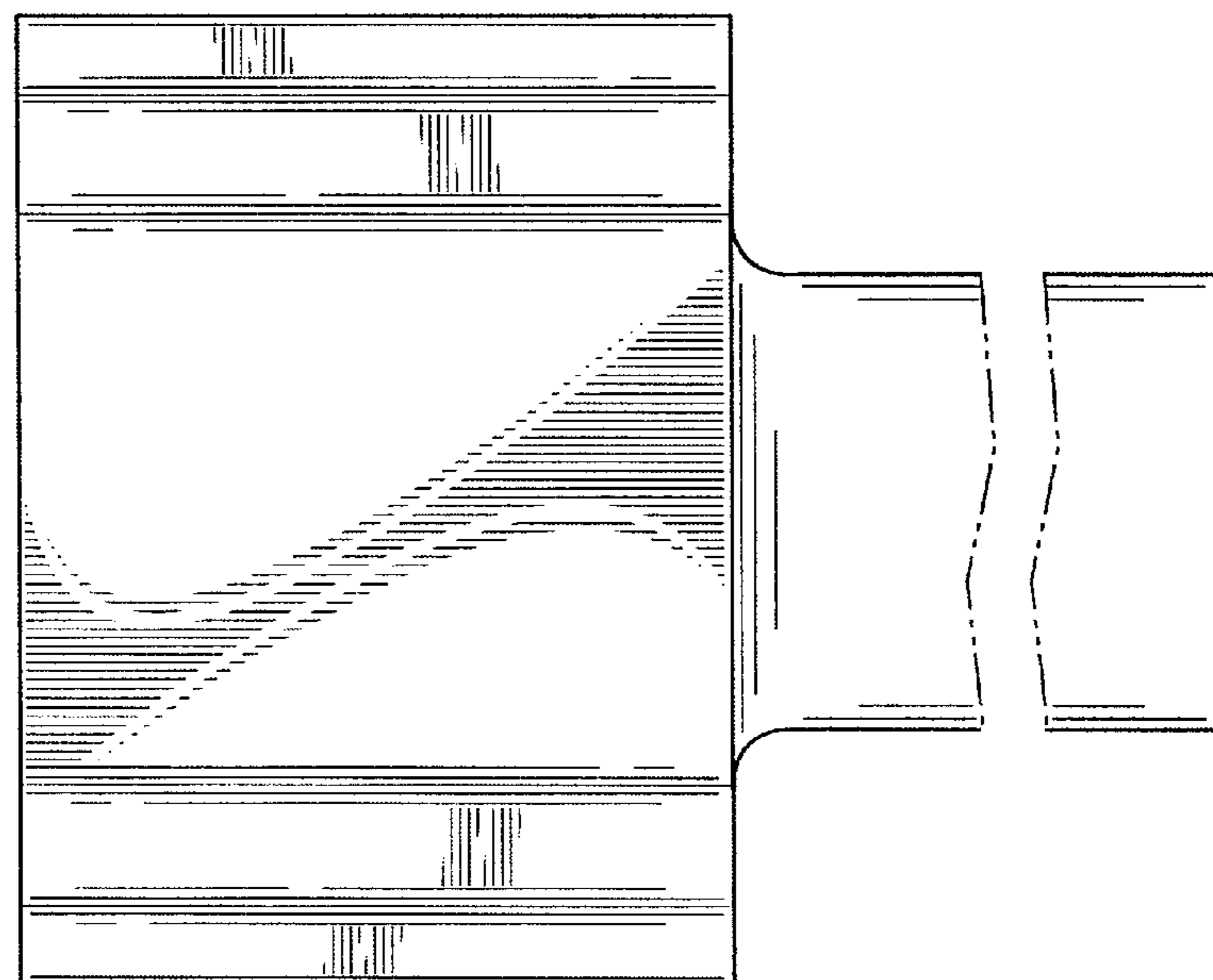
*Fig. 3*



*Fig. 4*



*Fig. 5*



*Fig. 6*