



US00D513406S

(12) **United States Design Patent** (10) **Patent No.:** **US D513,406 S**
Rodrigues et al. (45) **Date of Patent:** **** Jan. 3, 2006**

(54) **SLEEVELESS COAXIAL CABLE CONNECTOR IN SHIPPING POSITION**

(75) Inventors: **Julio Rodrigues**, Collierville, TN (US);
Randy Ward, Cordova, TN (US)

(73) Assignee: **Thomas & Betts International, Inc.**,
Wilmington, DE (US)

(**) Term: **14 Years**

(21) Appl. No.: **29/207,557**

(22) Filed: **Jun. 15, 2004**

(51) **LOC (8) Cl.** **13-03**

(52) **U.S. Cl.** **D13/133**

(58) **Field of Classification Search** D13/133,
D13/149, 151, 154, 184, 199; 439/13, 20,
439/22, 135, 246, 306, 380, 476.1, 578, 583-585,
439/805

See application file for complete search history.

(56) **References Cited**

U.S. PATENT DOCUMENTS

4,046,052 A *	9/1977	Nordstrom	411/1
4,875,864 A *	10/1989	Campbell	439/100
4,902,246 A *	2/1990	Samchisen	439/578
D411,983 S *	7/1999	Awbrey	D13/148
6,077,087 A *	6/2000	Endres et al.	439/63
D436,076 S	1/2001	Montena	D13/133
D437,826 S *	2/2001	Montena	D13/133
D458,904 S	6/2002	Montena	D13/154

D460,739 S	7/2002	Fox	D13/154
D460,740 S	7/2002	Montena	D13/154
D460,946 S	7/2002	Montena	D13/154
D460,947 S	7/2002	Montena	D13/154
D460,948 S	7/2002	Montena	D13/154
D461,166 S	8/2002	Montena	D13/151
D461,167 S	8/2002	Montena	D13/154
D461,778 S	8/2002	Fox	D13/154
D462,058 S	8/2002	Montena	D13/151
D462,060 S	8/2002	Fox	D13/154
D462,327 S	9/2002	Montena	D13/151
6,530,807 B2	3/2003	Rodrigues et al.	439/578
6,618,945 B2 *	9/2003	Holland et al.	30/90.1
D505,391 S *	5/2005	Rodrigues et al.	D13/151

* cited by examiner

Primary Examiner—Stella Reid
Assistant Examiner—Daniel Bui
(74) *Attorney, Agent, or Firm*—G. Andrew Barger

(57) **CLAIM**

The ornamental design for a sleeveless coaxial cable connector in shipping position, as shown and described.

DESCRIPTION

FIG. 1 is a top perspective view of a sleeveless coaxial cable connector in shipping position showing our new design; FIG. 2 is a side elevation view thereof; FIG. 3 is a front elevation view thereof; and, FIG. 4 is a rear elevation view thereof.

1 Claim, 4 Drawing Sheets

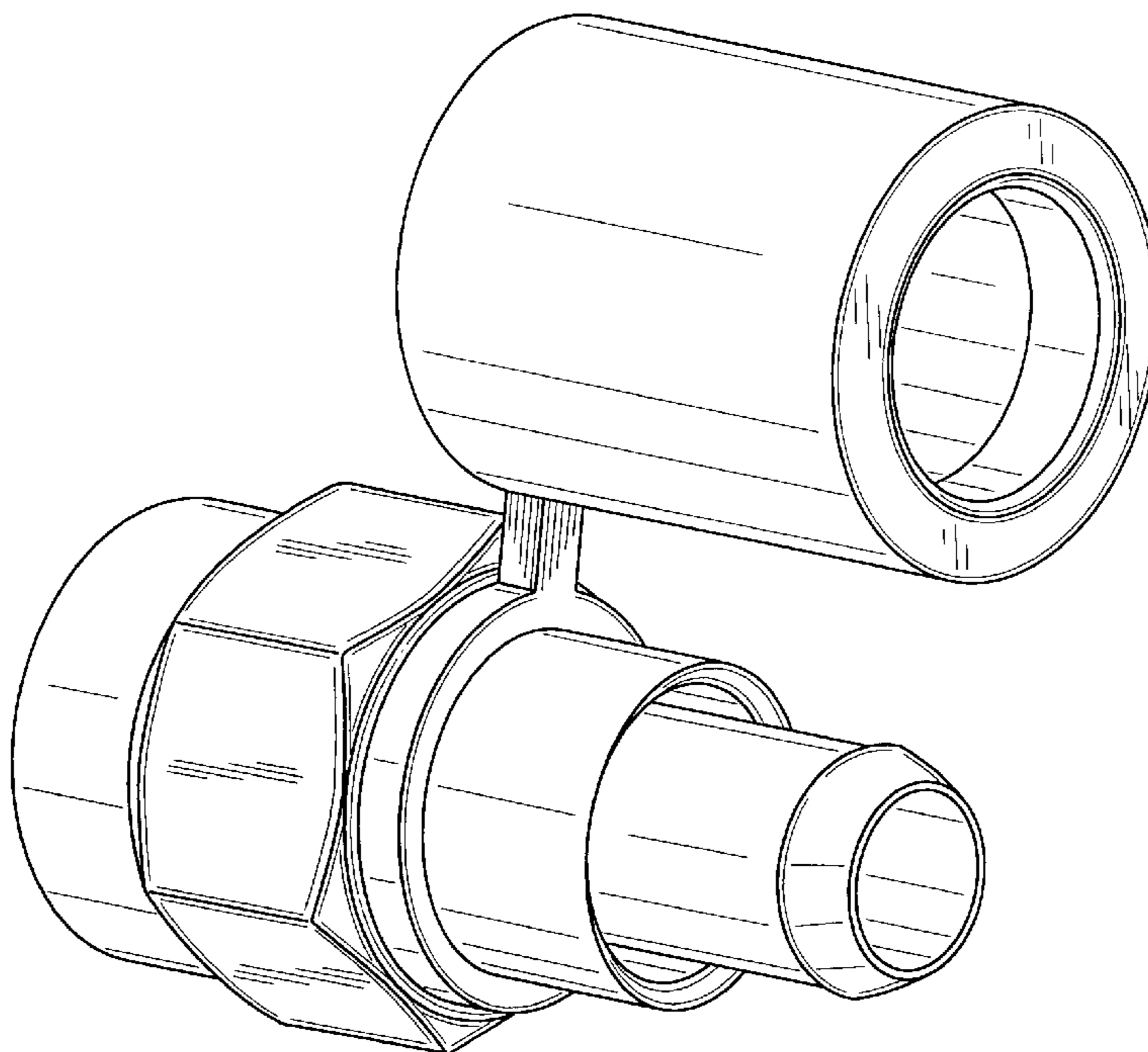


FIG. 1

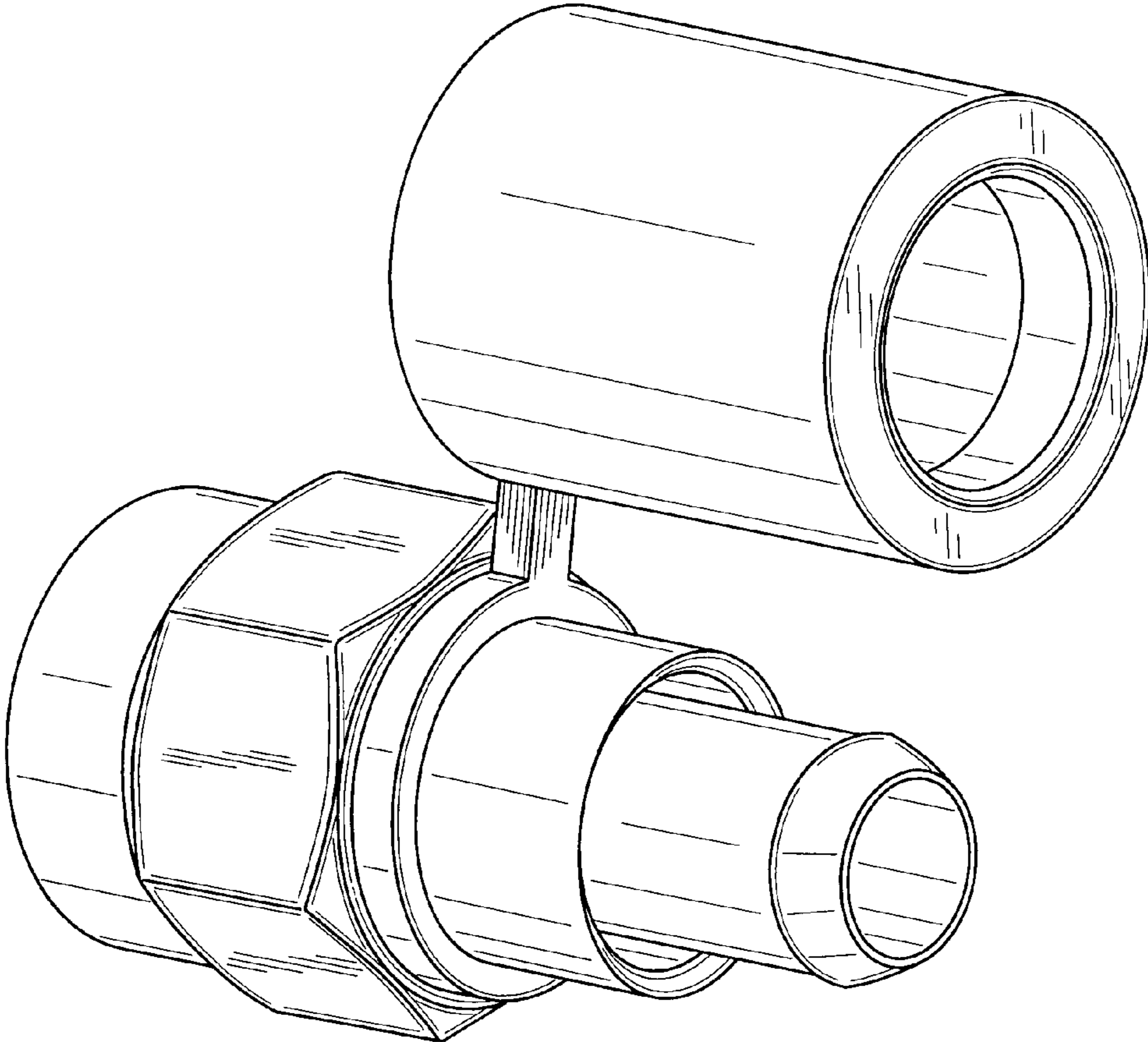


FIG. 2

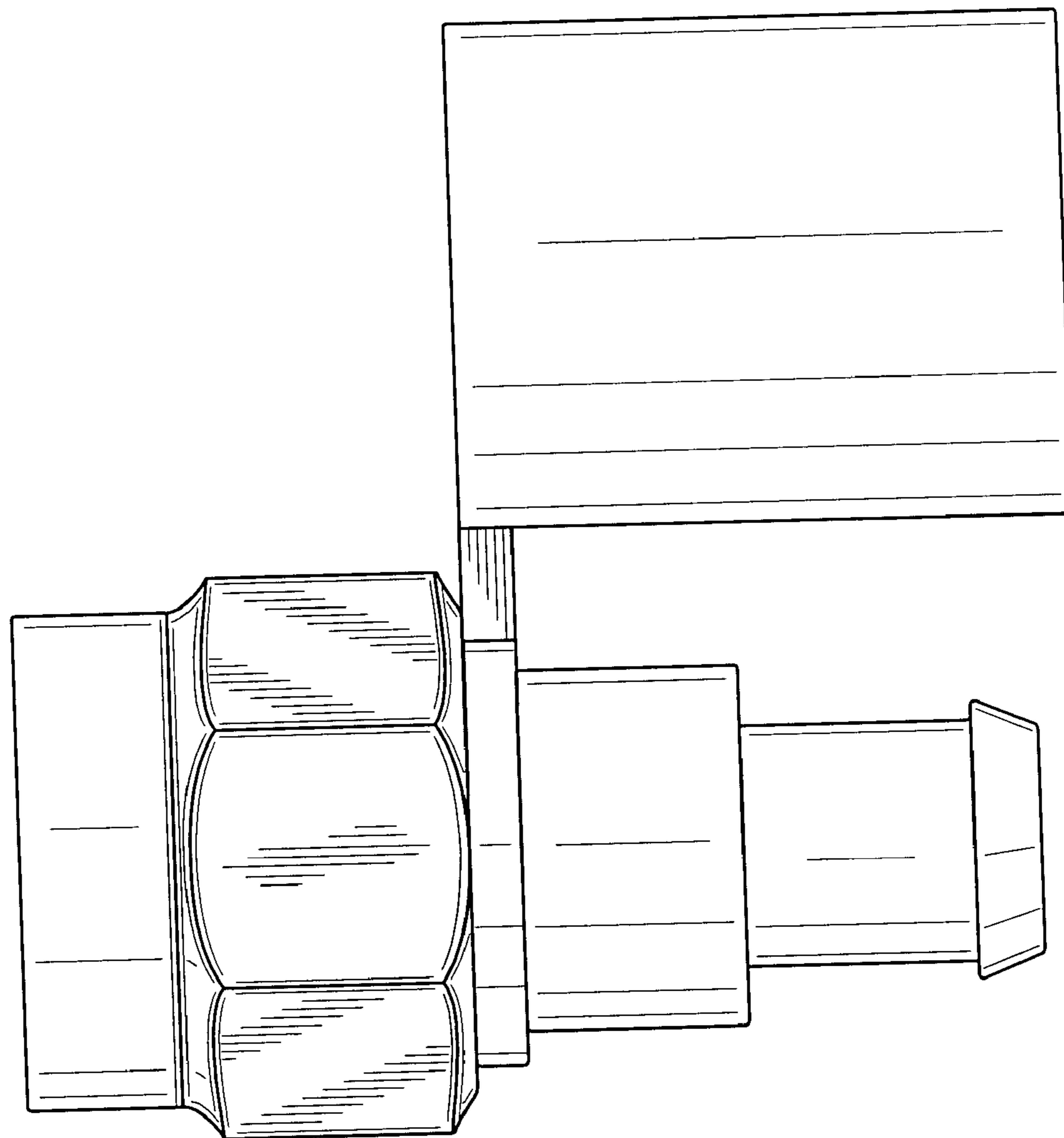


FIG. 3

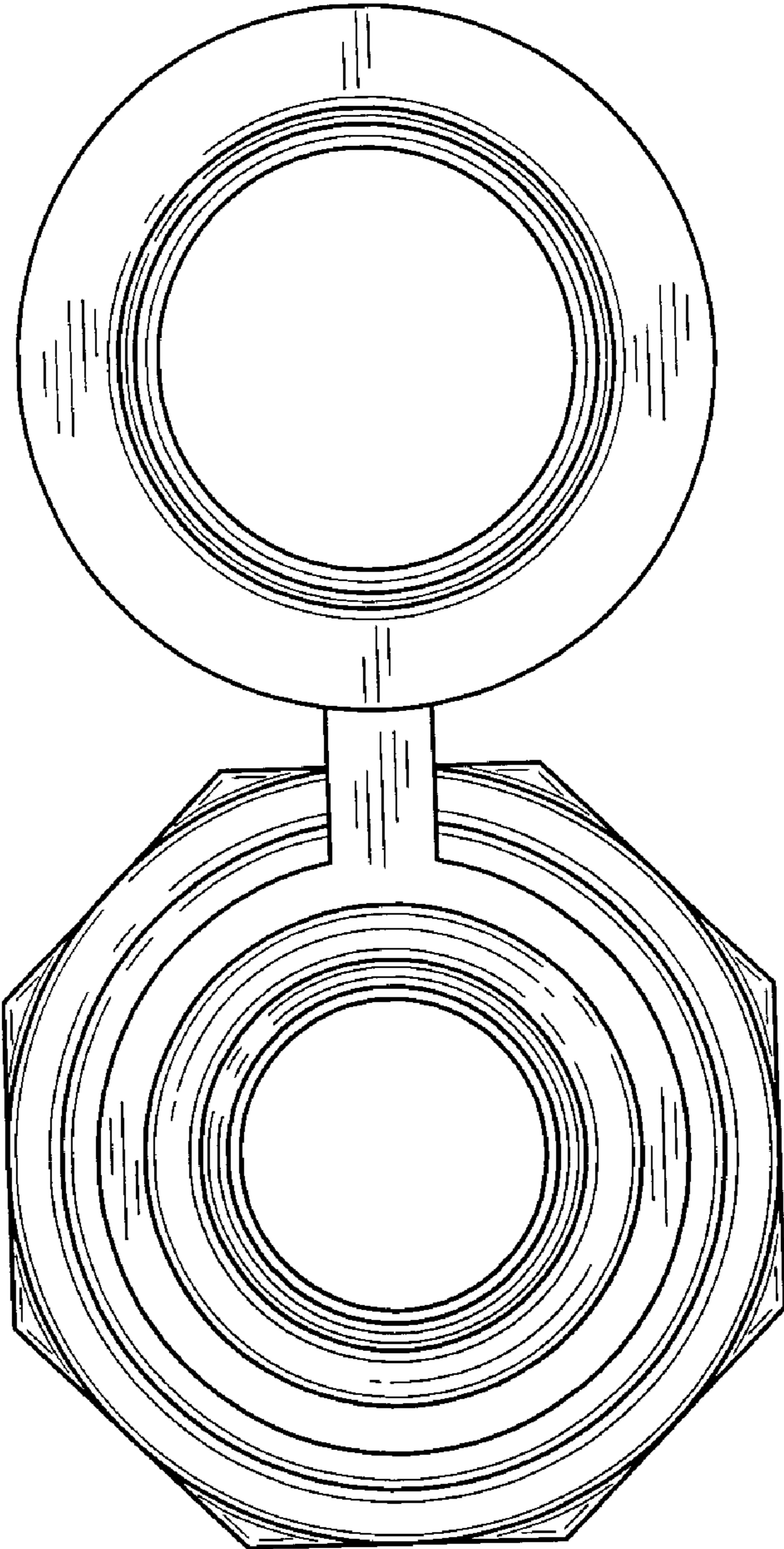


FIG. 4

