

US00D513405S

(12) **United States Design Patent**
Rohr et al.

(10) **Patent No.:** **US D513,405 S**
(45) **Date of Patent:** **** Jan. 3, 2006**

(54) **MEDI SNAP CONNECTOR**

(75) Inventors: **Günter Rohr**, Schwindegg (DE); **Josef Weigand**, Heidenstein (DE); **Frank Braun**, Töging/Inn (DE)

(73) Assignee: **ODU-Steckverbindingssysteme GmbH & Co. KG**, Muehldorf/Inn

(**) Term: **14 Years**

(21) Appl. No.: **29/190,964**

(22) Filed: **Oct. 1, 2003**

(30) **Foreign Application Priority Data**

Apr. 1, 2003 (EM) 00009105

(51) **LOC (8) Cl.** **13-03**

(52) **U.S. Cl.** **D13/133; D13/149**

(58) **Field of Classification Search** D13/133,
D13/149, 151, 154, 184, 199; 439/13, 20,
439/22, 135, 246, 306, 480, 476.1, 578, 583-585,
439/805

See application file for complete search history.

(56) **References Cited**

U.S. PATENT DOCUMENTS

4,762,388	A	*	8/1988	Tanaka et al.	385/58
D339,568	S	*	9/1993	Salz	D13/151
5,276,755	A	*	1/1994	Longhurst	385/88
5,685,730	A	*	11/1997	Cameron et al.	439/335
D395,016	S	*	6/1998	Kornowski et al.	D10/80
D399,185	S	*	10/1998	Lin	D13/133
D411,983	S	*	7/1999	Awbrey	D13/148
D424,020	S	*	5/2000	Fischer	D13/146
D434,376	S	*	11/2000	Connelly	D13/133
D434,377	S	*	11/2000	Bussett et al.	D13/133

D461,166	S	*	8/2002	Montena	D13/151
6,752,650	B1	*	6/2004	Lin	439/491
6,808,407	B1	*	10/2004	Cannon	439/314

* cited by examiner

Primary Examiner—Stella Reid

Assistant Examiner—Daniel Bui

(74) *Attorney, Agent, or Firm*—Jacobson Holman PLLC

(57) **CLAIM**

The ornamental design for a medi snap connector, as shown and described.

DESCRIPTION

FIG. 1 is an exploded perspective view of the medi snap connector including a receptacle and a straight plug showing our new design.

FIG. 2 is a perspective view of the receptacle;

FIG. 3 is a perspective view of the straight plug;

FIG. 4 is a front view of the receptacle;

FIG. 5 is a rear view thereof;

FIG. 6 is a top view thereof;

FIG. 7 is a bottom view thereof;

FIG. 8 is a right side view thereof;

FIG. 9 is a left side view thereof;

FIG. 10 is a front view of the straight plug;

FIG. 11 is a rear view thereof;

FIG. 12 is a top view thereof;

FIG. 13 is a bottom view thereof;

FIG. 14 is a right side view thereof; and,

FIG. 15 is a left side view thereof.

FIGS. 2 through 15 show the receptacle and the straight plug separately are for convenience of illustration. The broken line showing of the environment is for illustrative purposes only and forms no part of the claimed design.

1 Claim, 4 Drawing Sheets

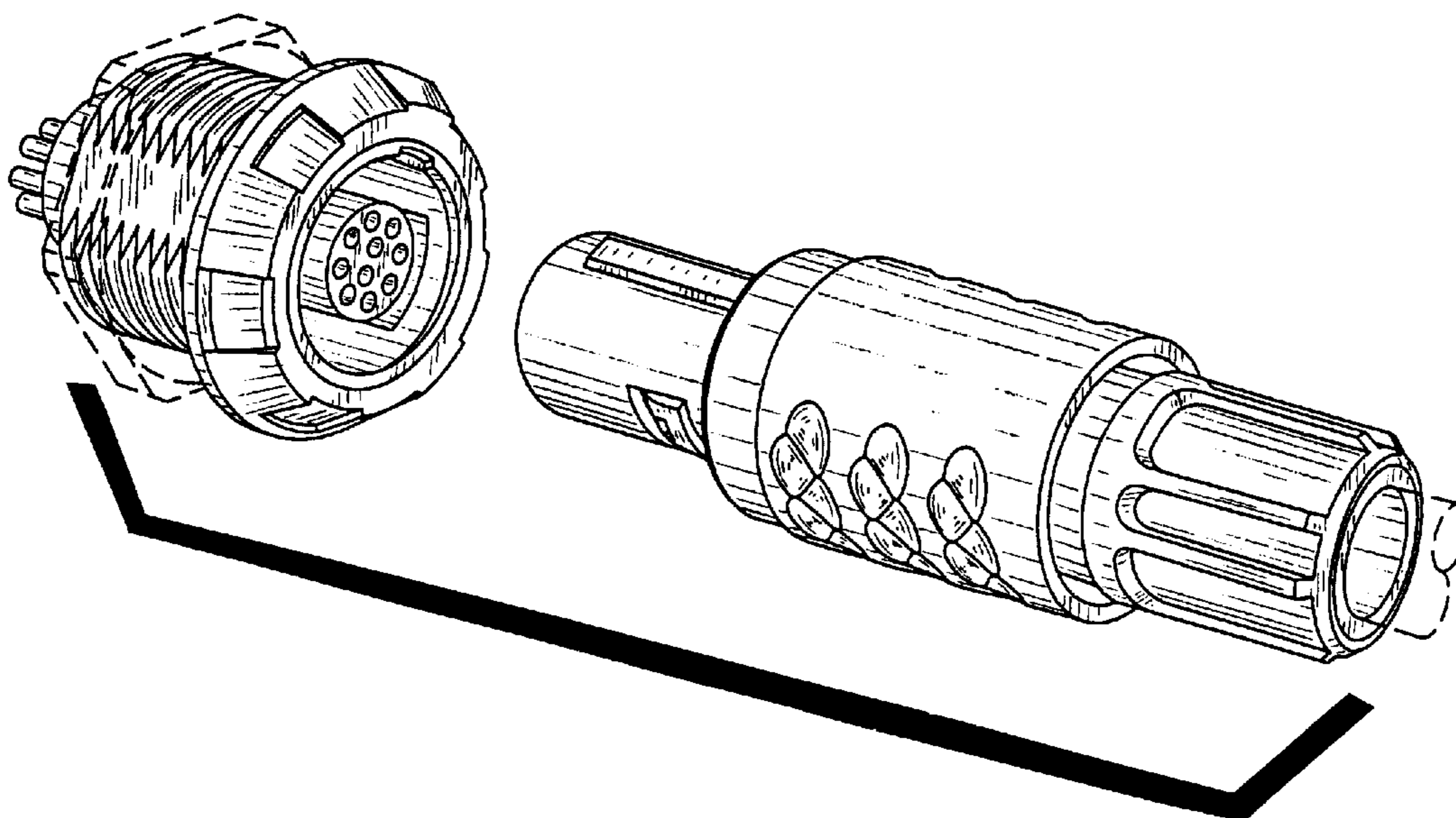


FIG. 1

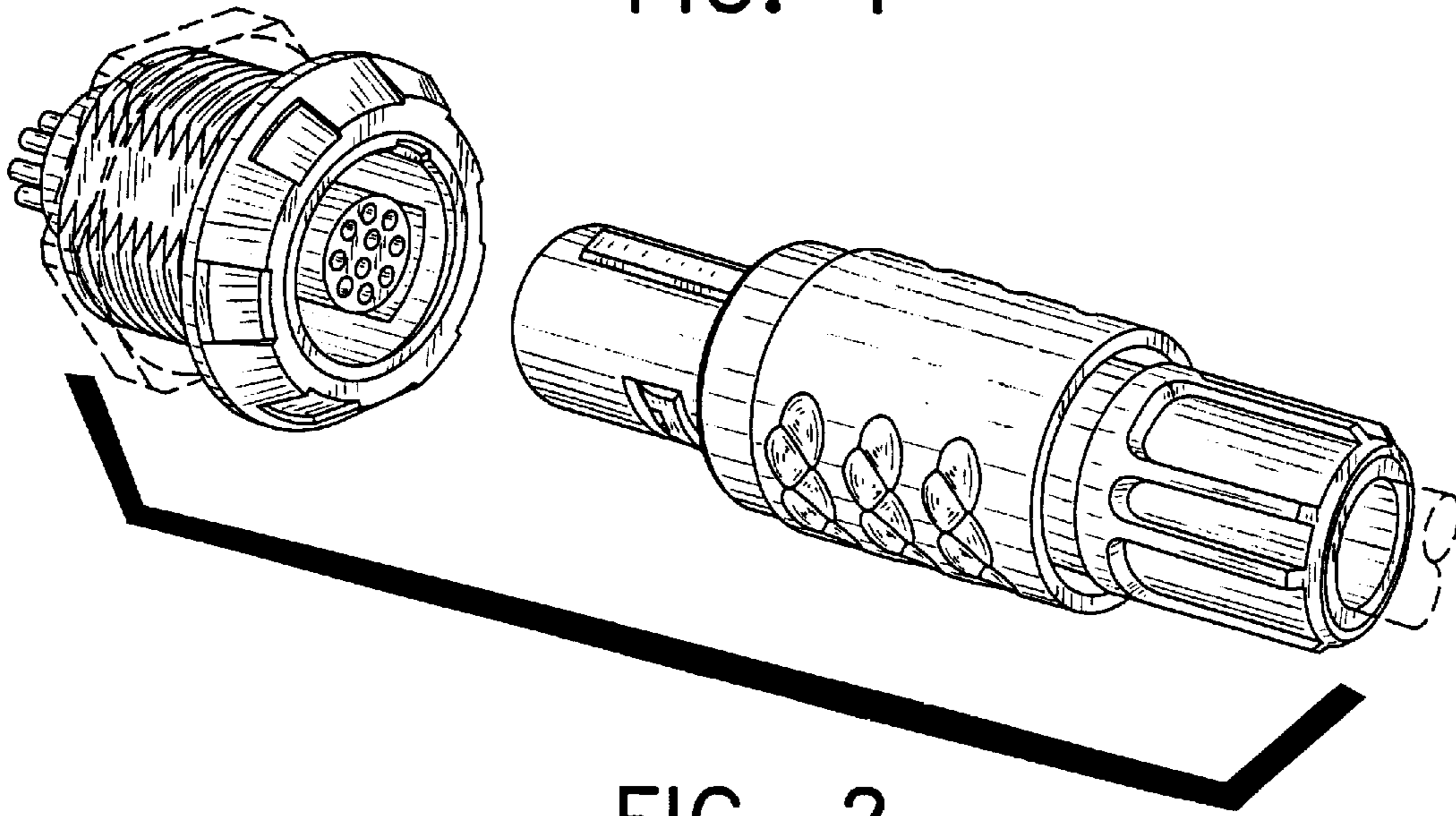


FIG. 2

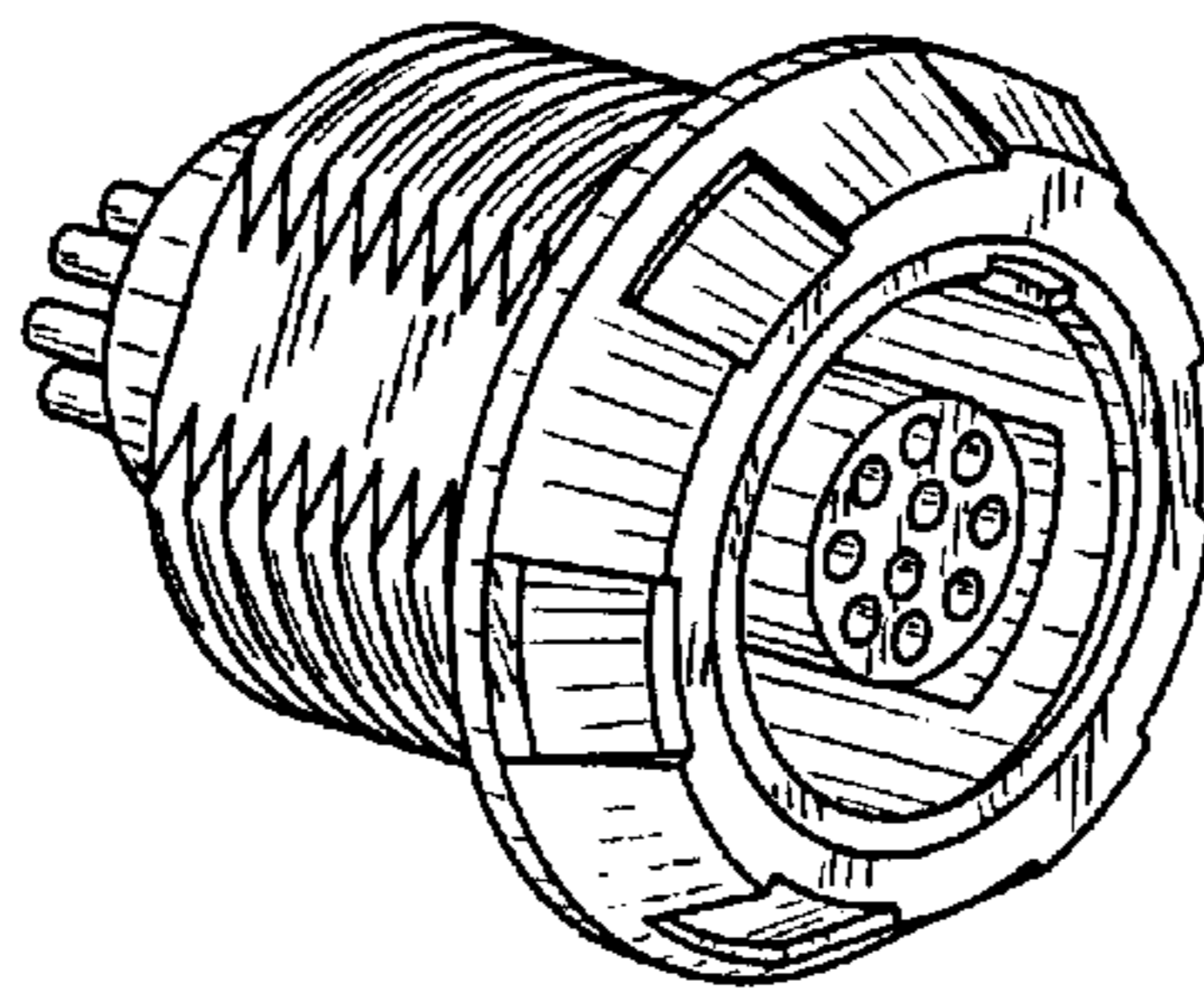


FIG. 3

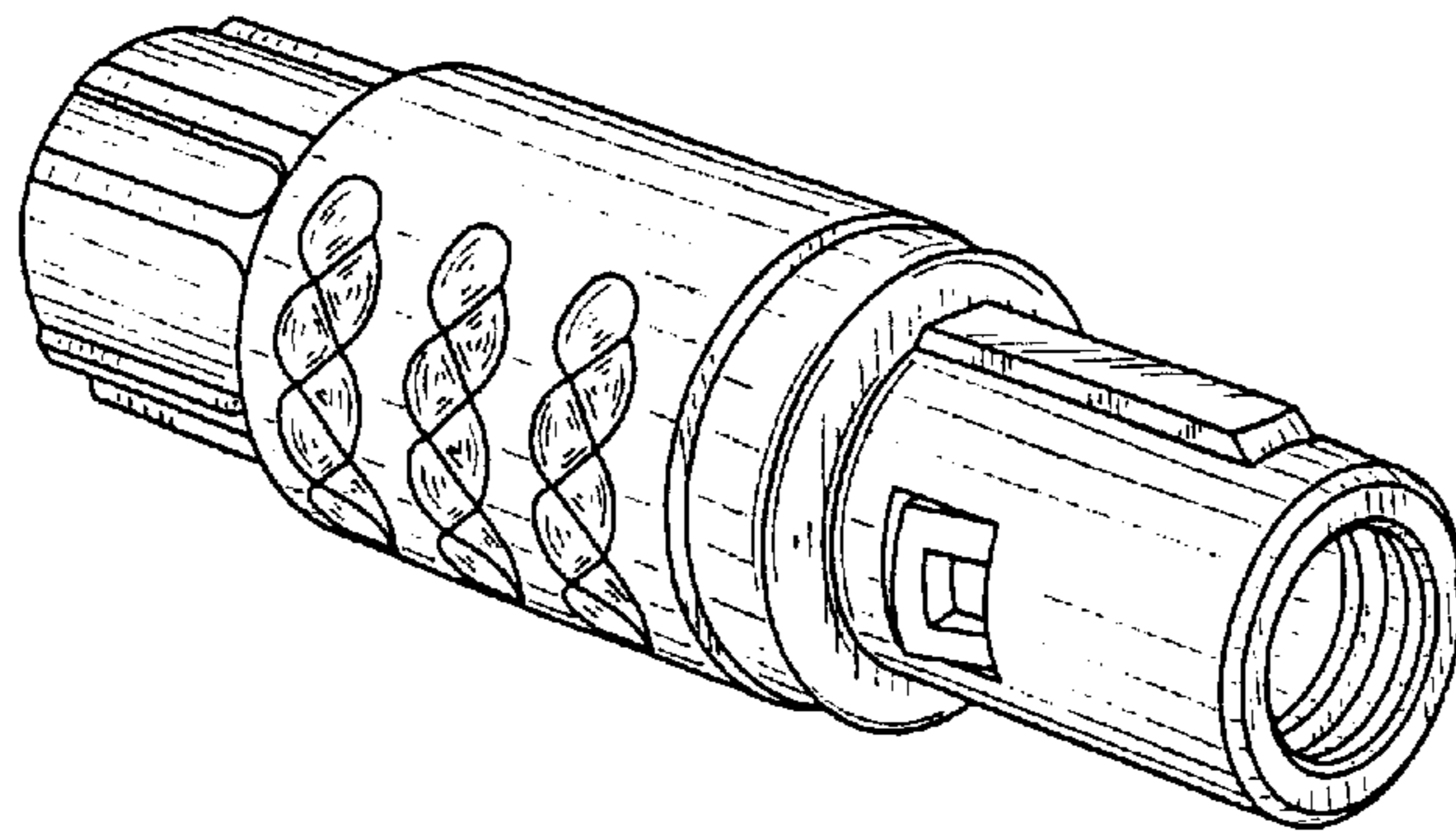


FIG. 4

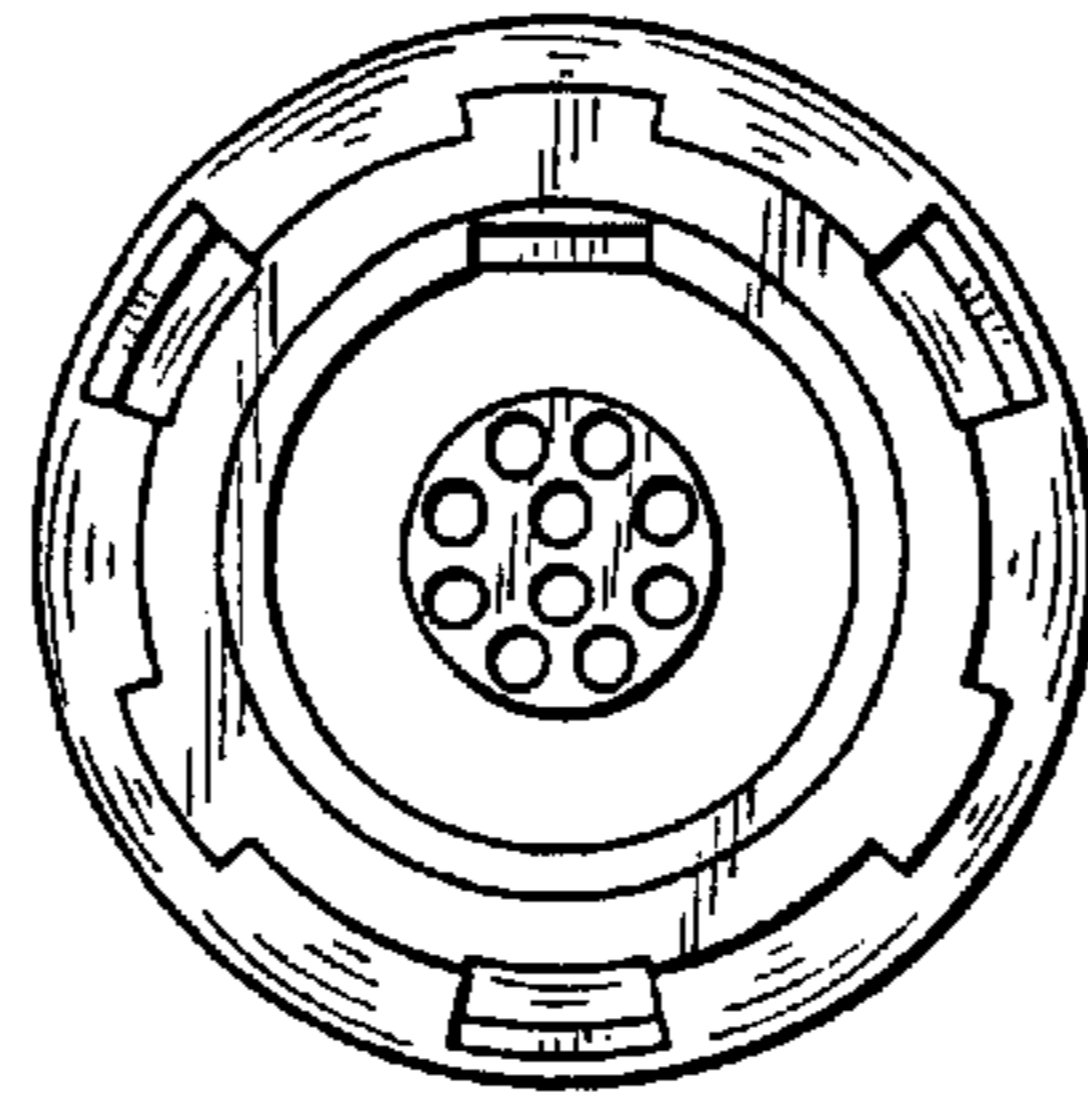


FIG. 5

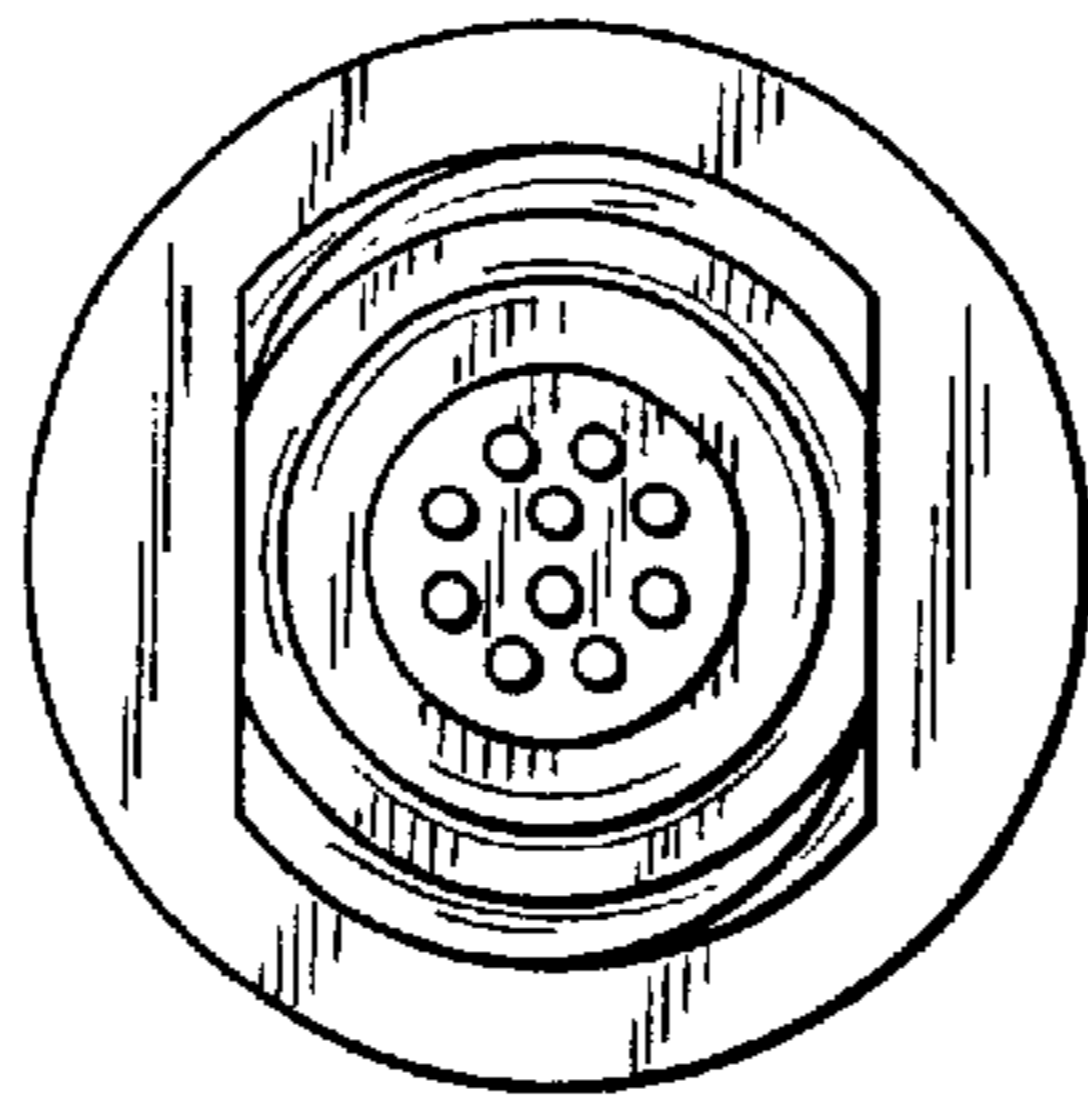


FIG. 6

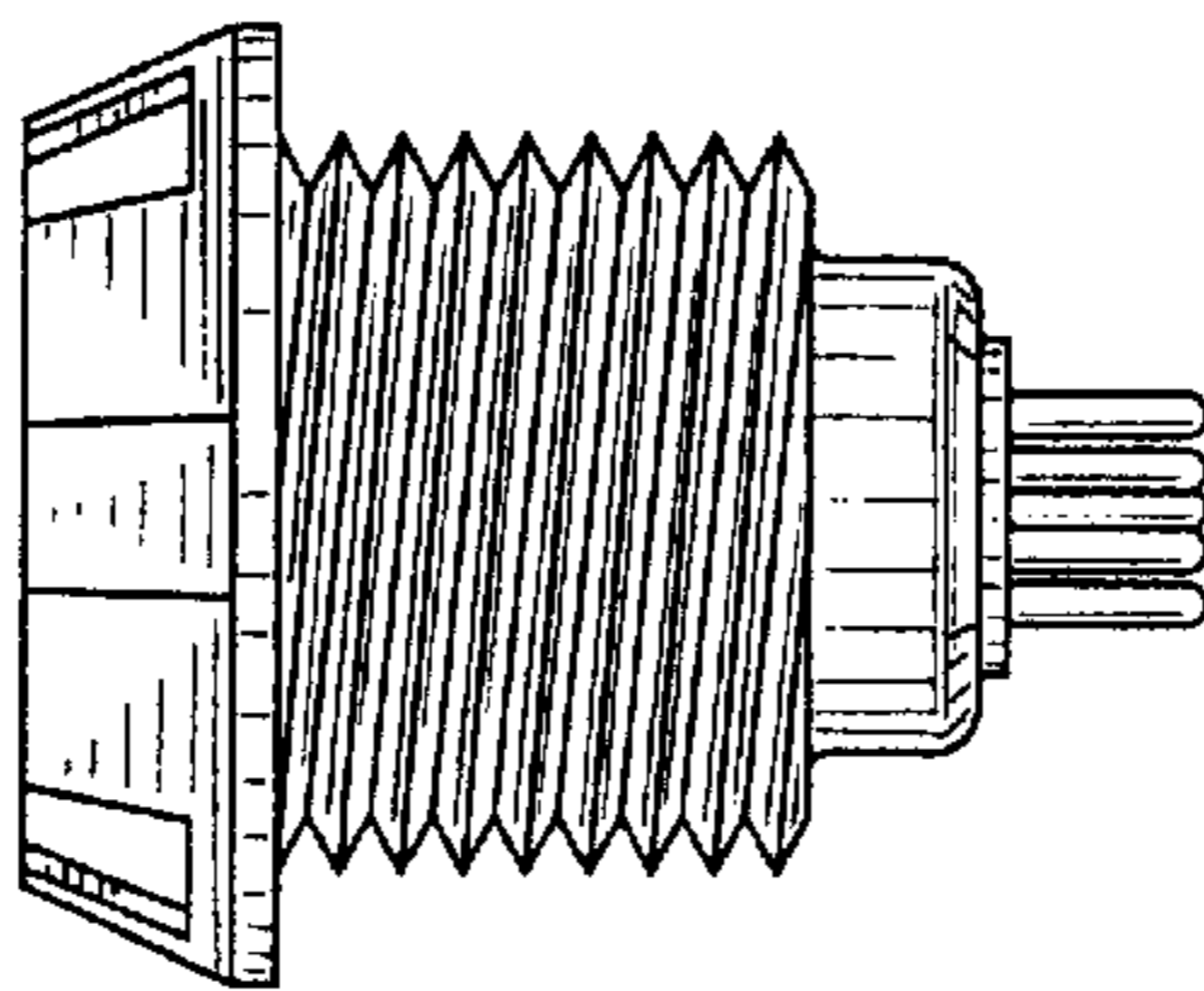


FIG. 7

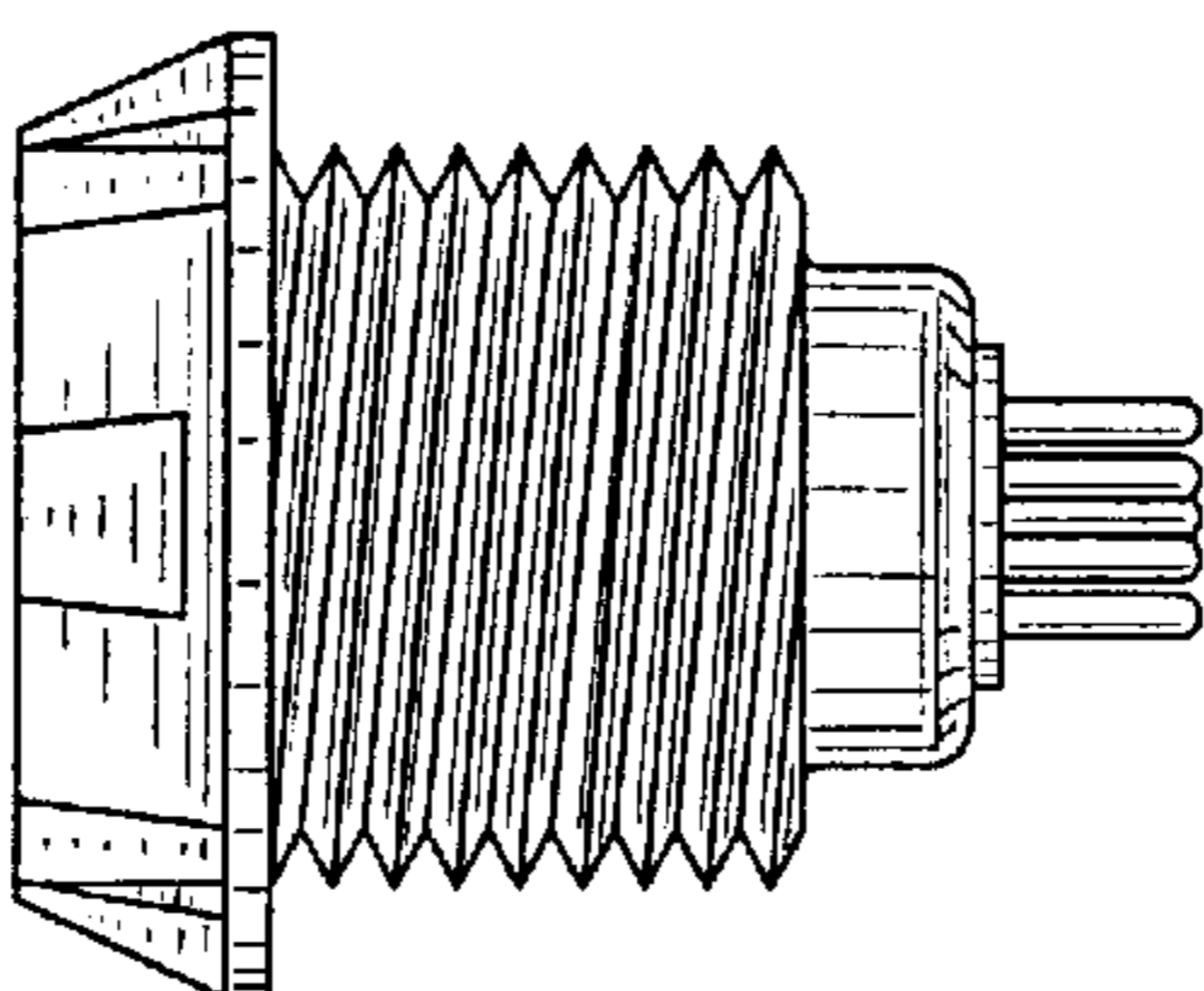


FIG. 8

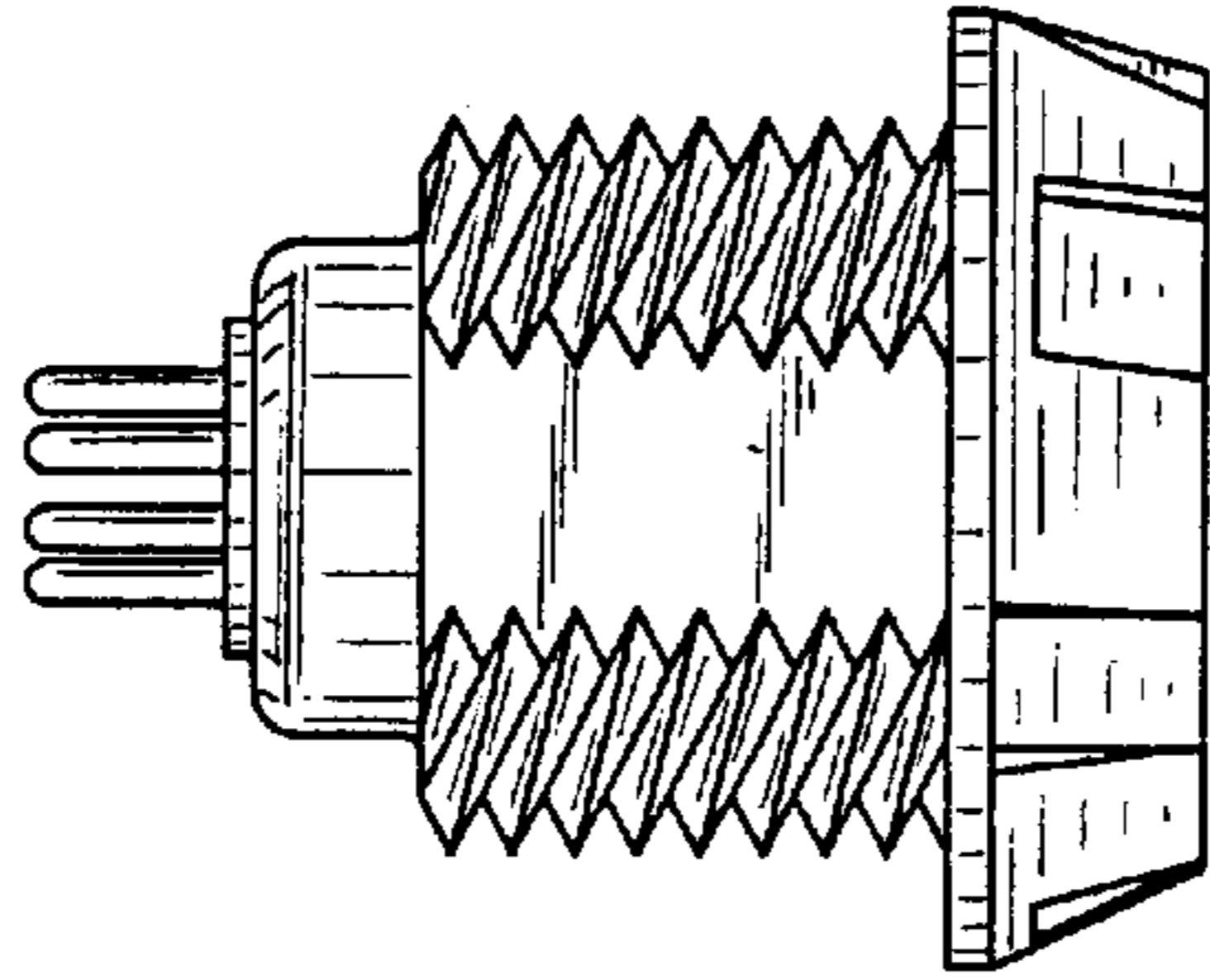


FIG. 9

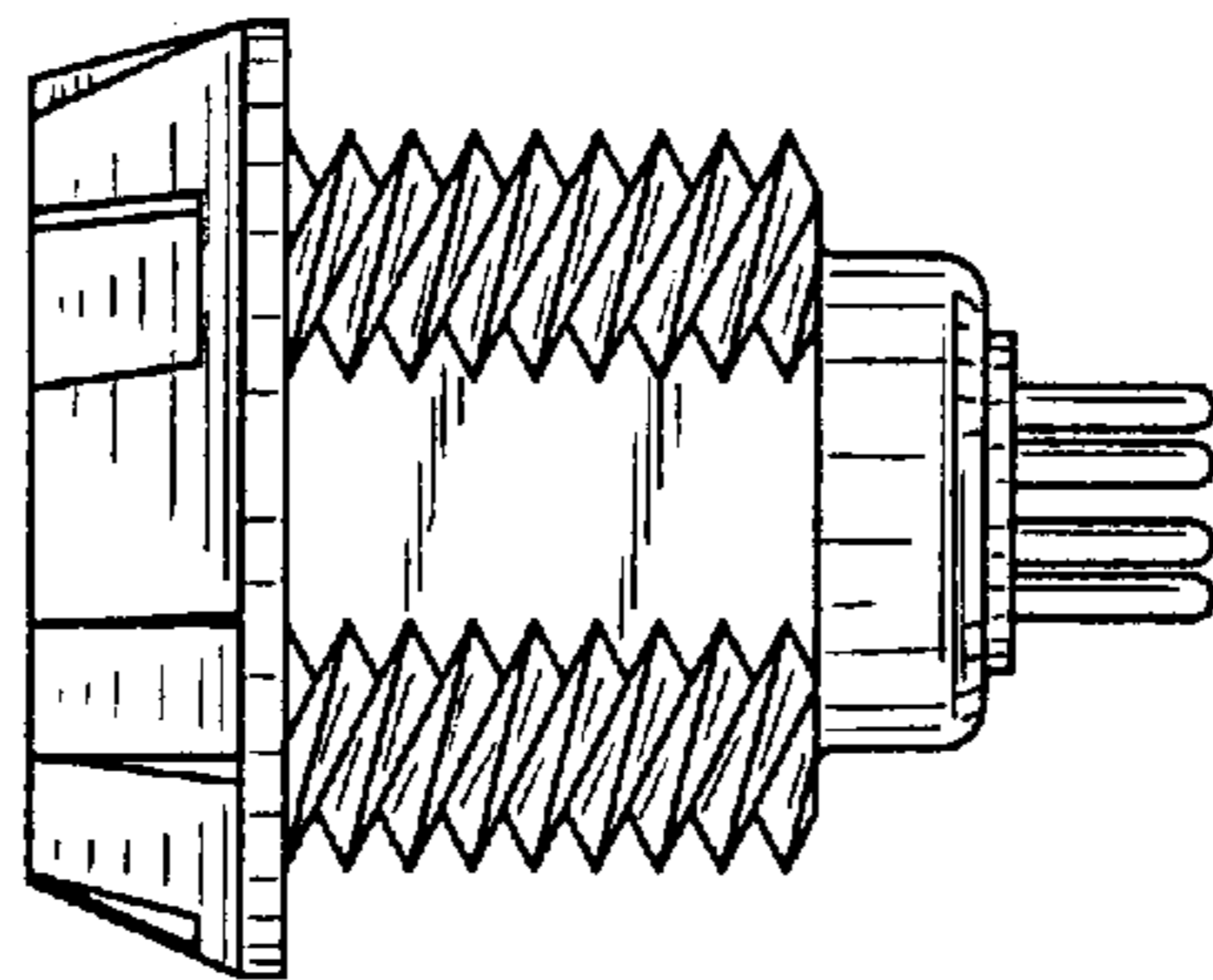


FIG. 10

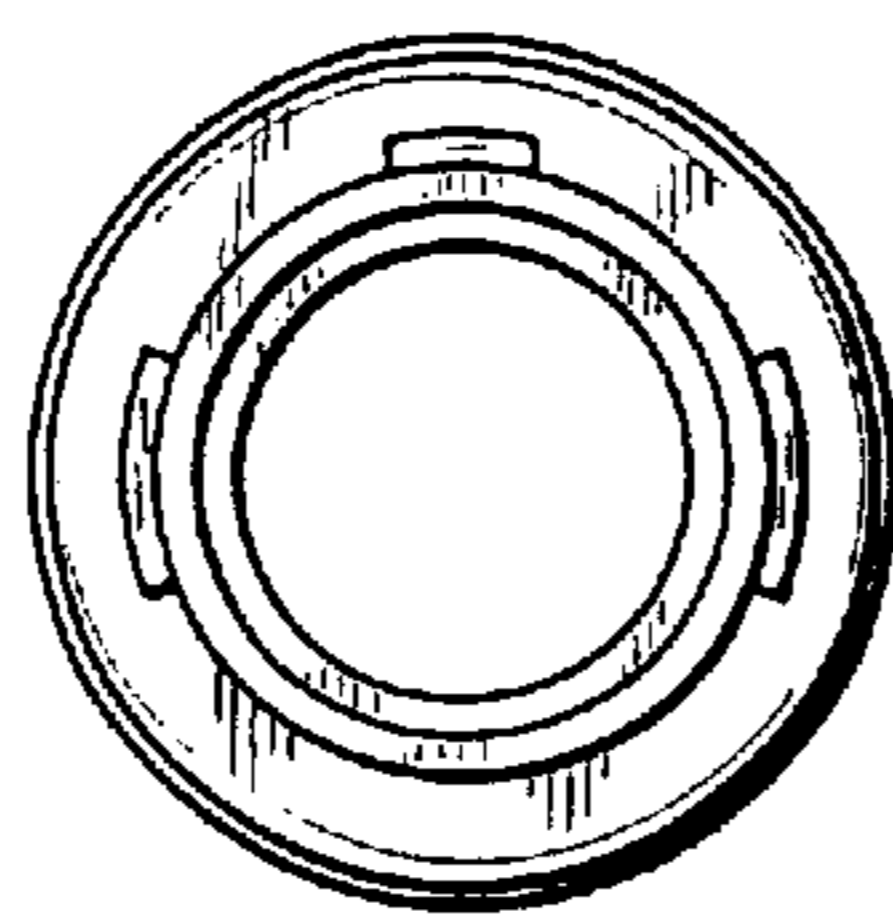


FIG. 11

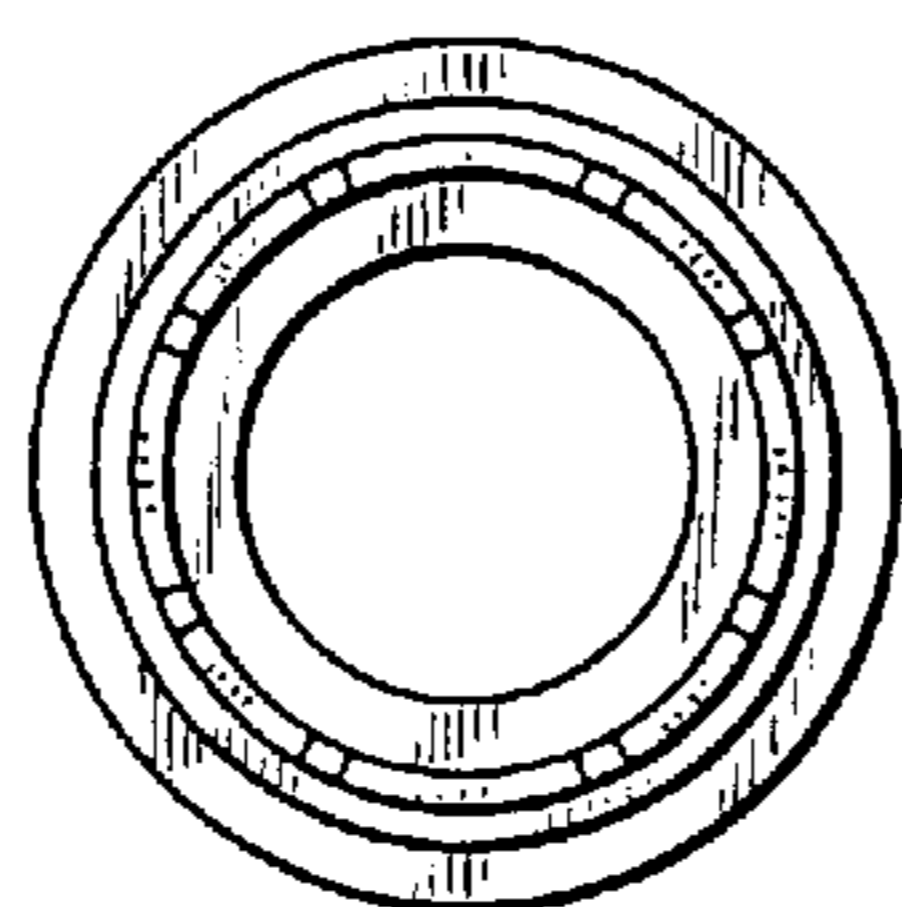


FIG. 12

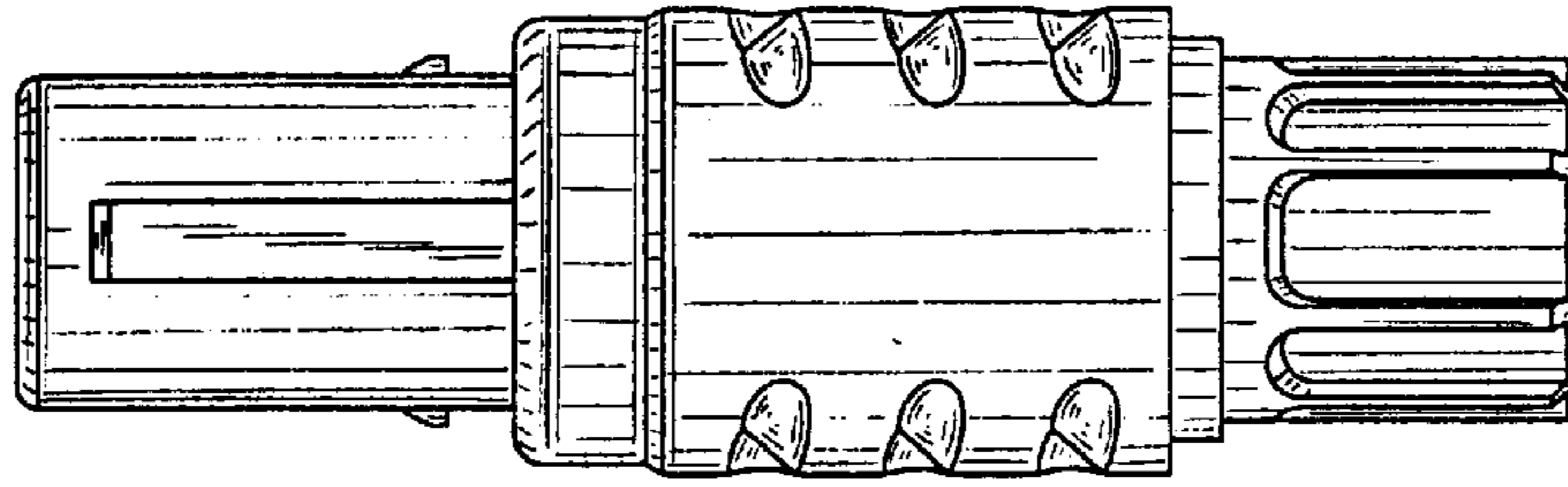


FIG. 13

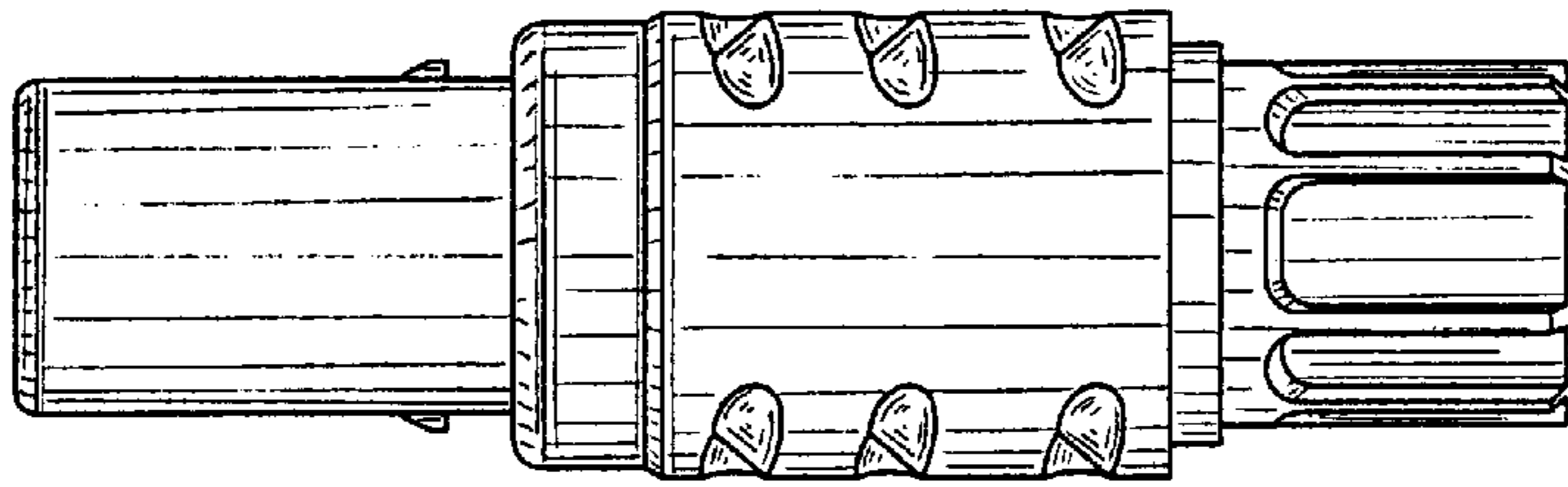


FIG. 14

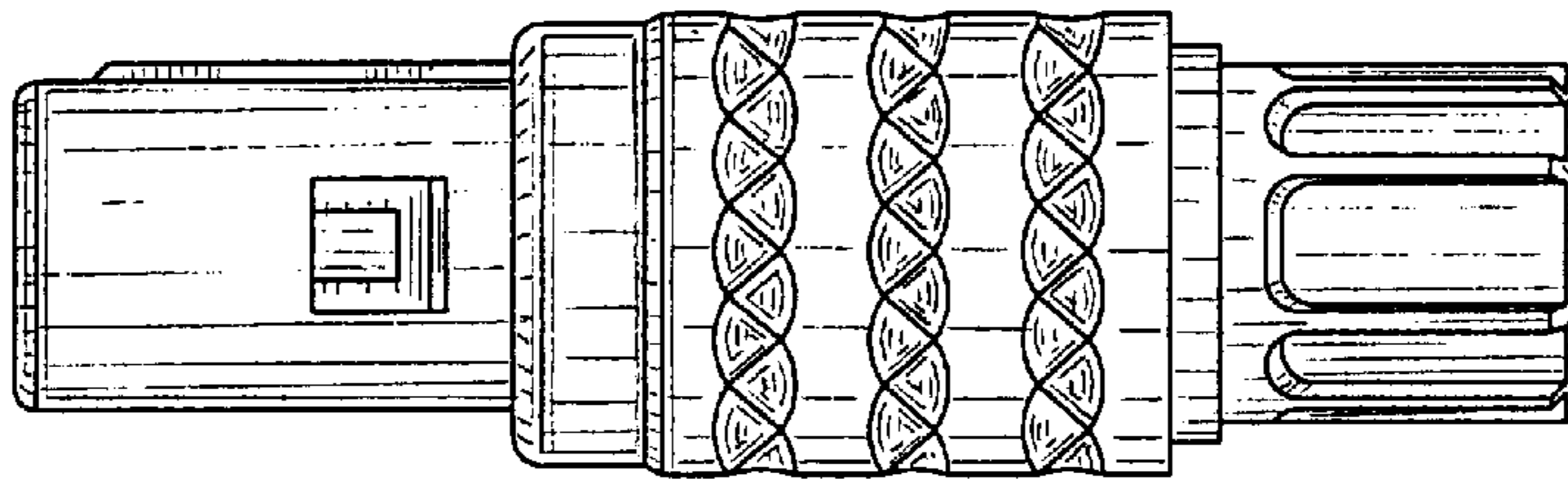


FIG. 15

