



US00D513399S

(12) **United States Design Patent**
Plumb

(10) **Patent No.:** **US D513,399 S**
(45) **Date of Patent:** **** Jan. 3, 2006**

(54) **BOAT HULL**

D401,546 S * 11/1998 Boris et al. D12/304
D438,506 S * 3/2001 Munson D12/300
D482,648 S * 11/2003 Eck et al. D12/300

(75) Inventor: **Eric Plumb**, Bellerive, IL (US)

(73) Assignee: **Bombardier Recreational Products Inc.**, Verdun (CA)

(**) Term: **14 Years**

* cited by examiner

Primary Examiner—Holly Baynham
Assistant Examiner—Cynthia M. Chin

(74) *Attorney, Agent, or Firm*—BRP Legal Services

(21) Appl. No.: **29/228,822**

(57) **CLAIM**

(22) Filed: **Apr. 29, 2005**

The ornamental design for a boat hull, as shown and described.

Related U.S. Application Data

DESCRIPTION

(62) Division of application No. 29/185,555, filed on Jul. 1, 2003.

(51) **LOC (8) Cl.** **12-06**

(52) **U.S. Cl.** **D12/300**

(58) **Field of Classification Search** D12/300,
D12/304, 310, 317, 318; 114/61.1, 283, 288–292,
114/343, 355; 440/27, 35
See application file for complete search history.

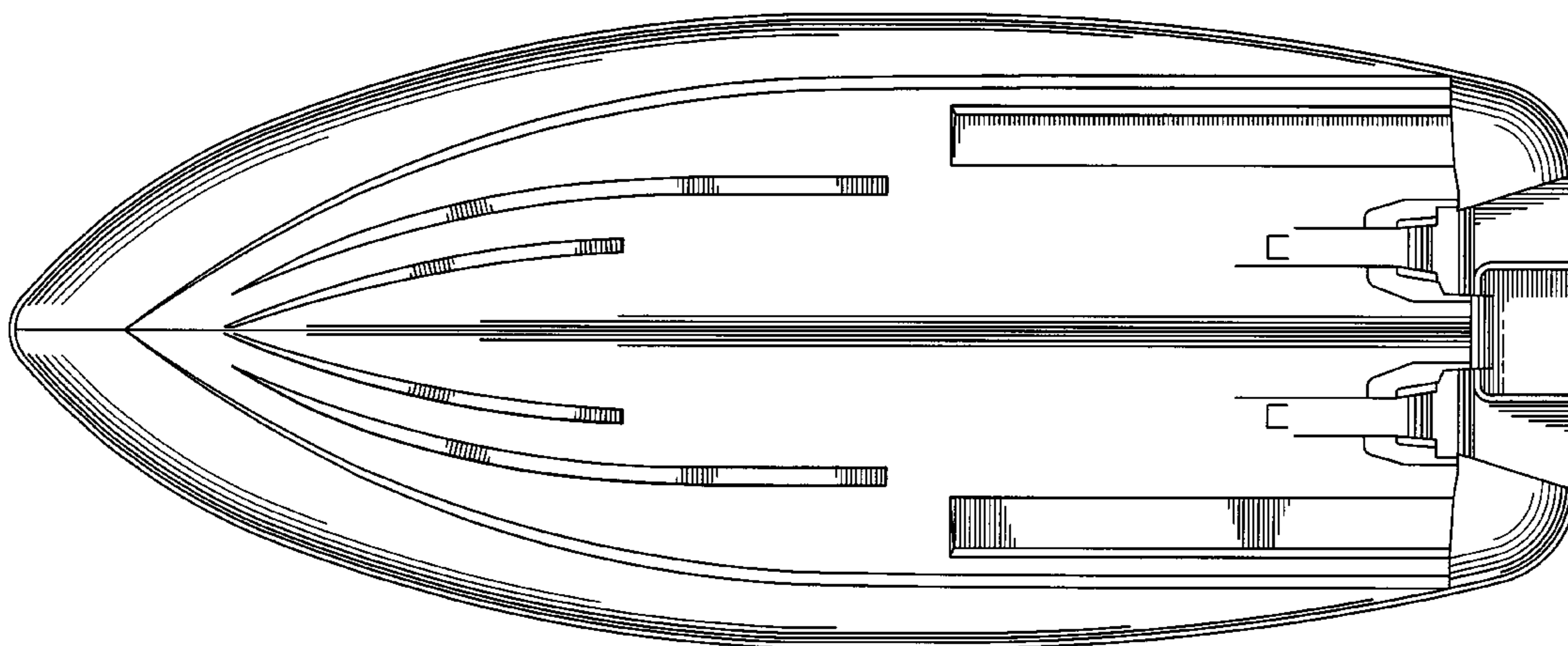
FIG. 1 is a perspective illustration, from the front and left side, of a boat hull of the present invention;
FIG. 2 is a top plan view of the boat hull of FIG. 1;
FIG. 3 is a left side elevational view of the boat hull of FIG. 1;
FIG. 4 is a right side elevational view of the boat hull of FIG. 1;
FIG. 5 is a front elevational view of the boat hull of FIG. 1;
FIG. 6 is a rear elevational view of the boat hull of FIG. 1;
and,
FIG. 7 is a bottom plan view of the boat hull of FIG. 1.
Where included, broken lines showing environment or structure are for illustrative purposes only and form no part of the claimed design.

(56) **References Cited**

U.S. PATENT DOCUMENTS

4,128,072 A * 12/1978 Wood, Jr. 114/291
4,924,792 A * 5/1990 Sapp et al. 114/290
D310,656 S * 9/1990 Paine, Jr. D12/300
D322,240 S * 12/1991 Carlson D12/300
D348,039 S * 6/1994 Kline D12/314

1 Claim, 6 Drawing Sheets



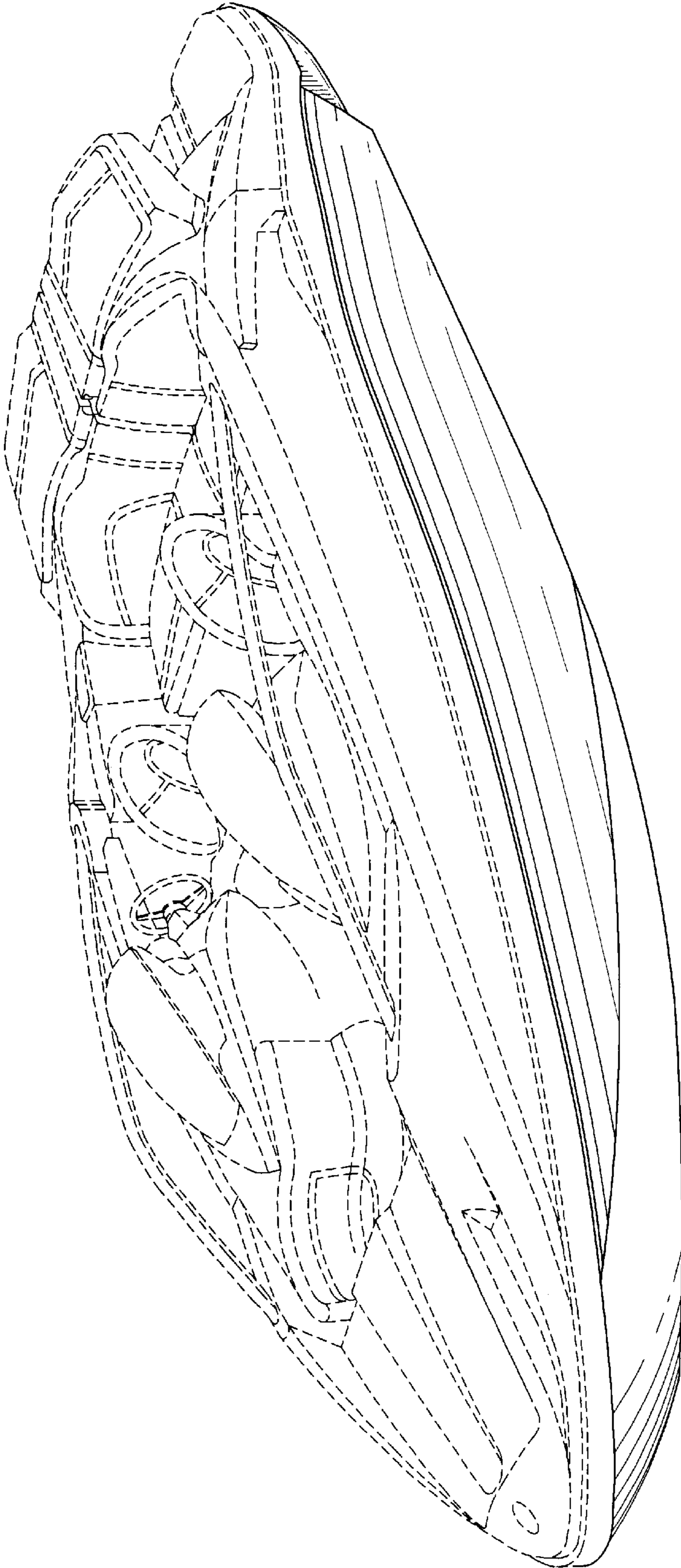


FIG. 1

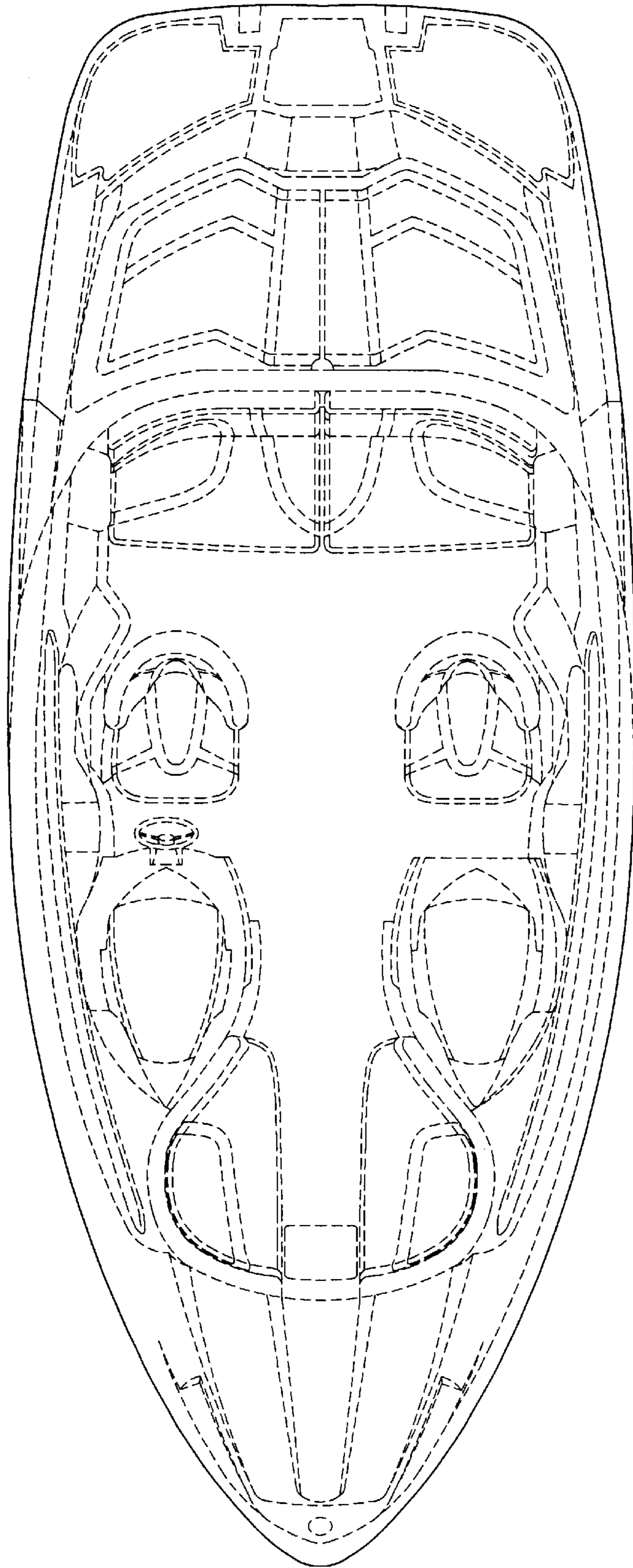


FIG. 2

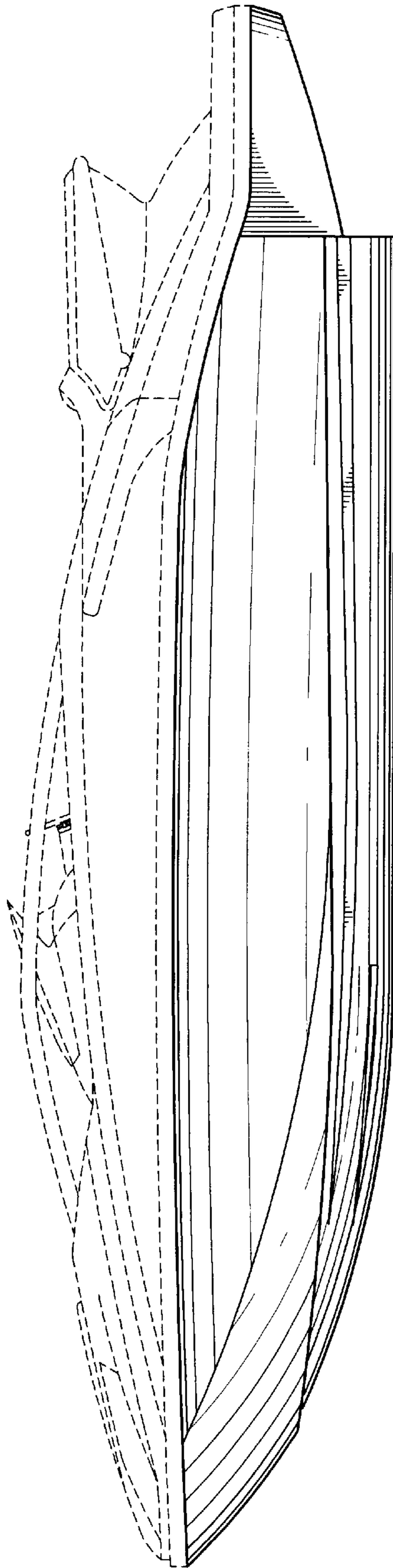


FIG. 3

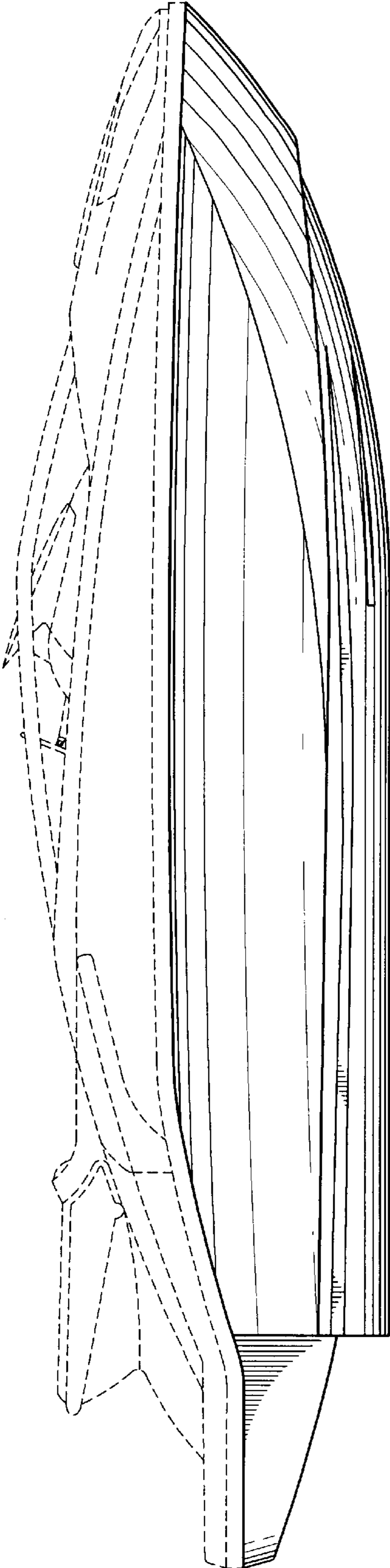


FIG. 4

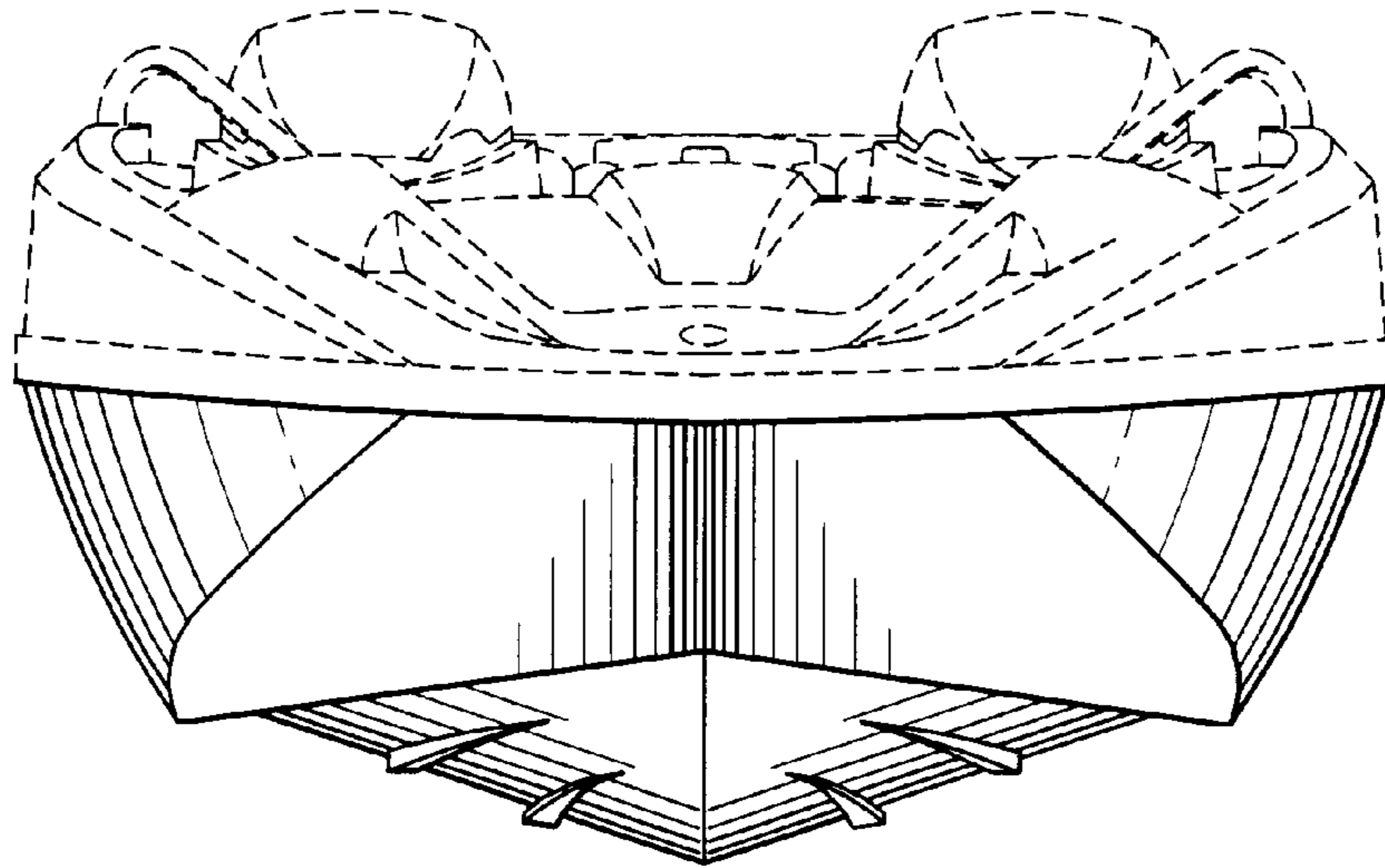


FIG. 5

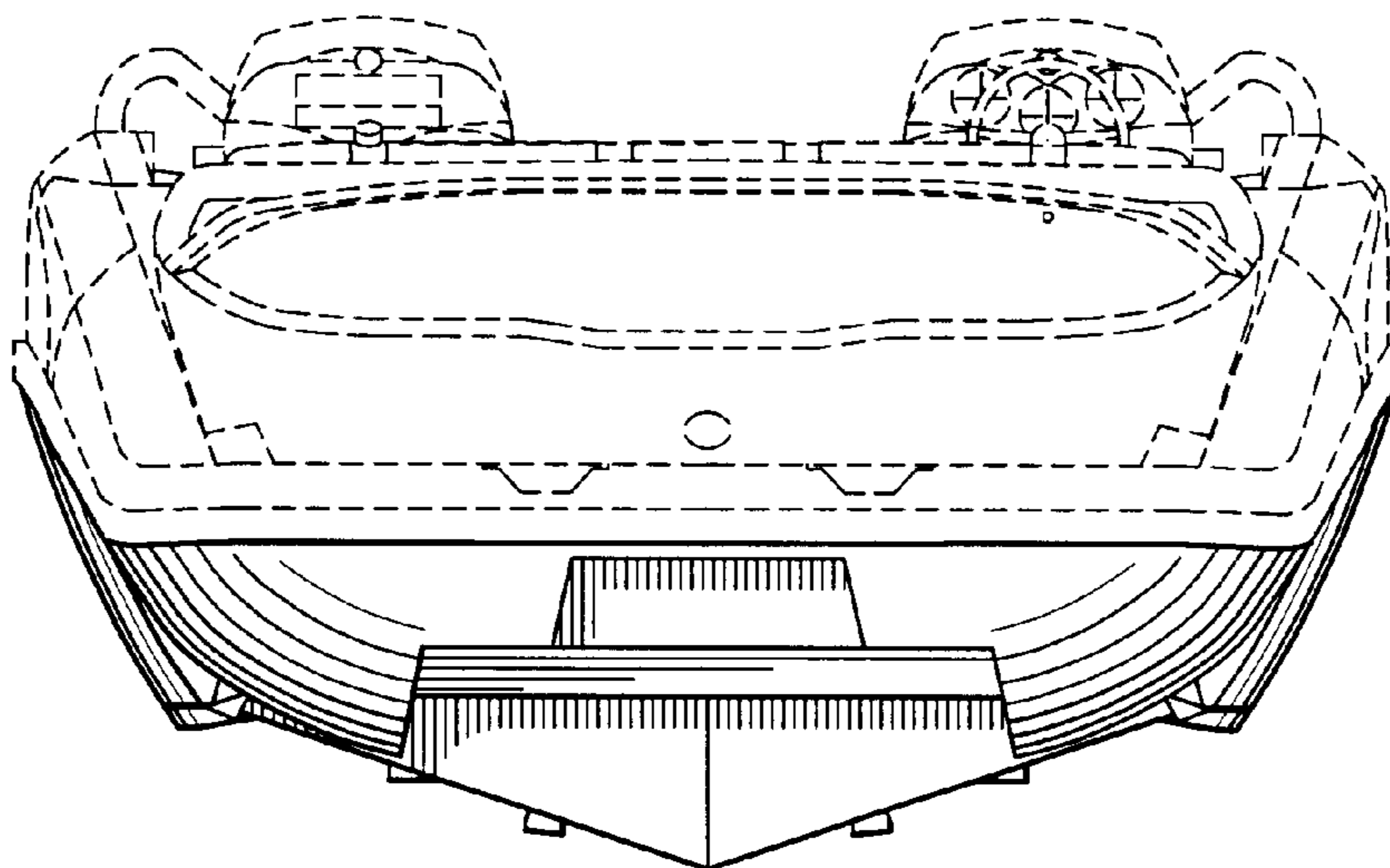


FIG. 6

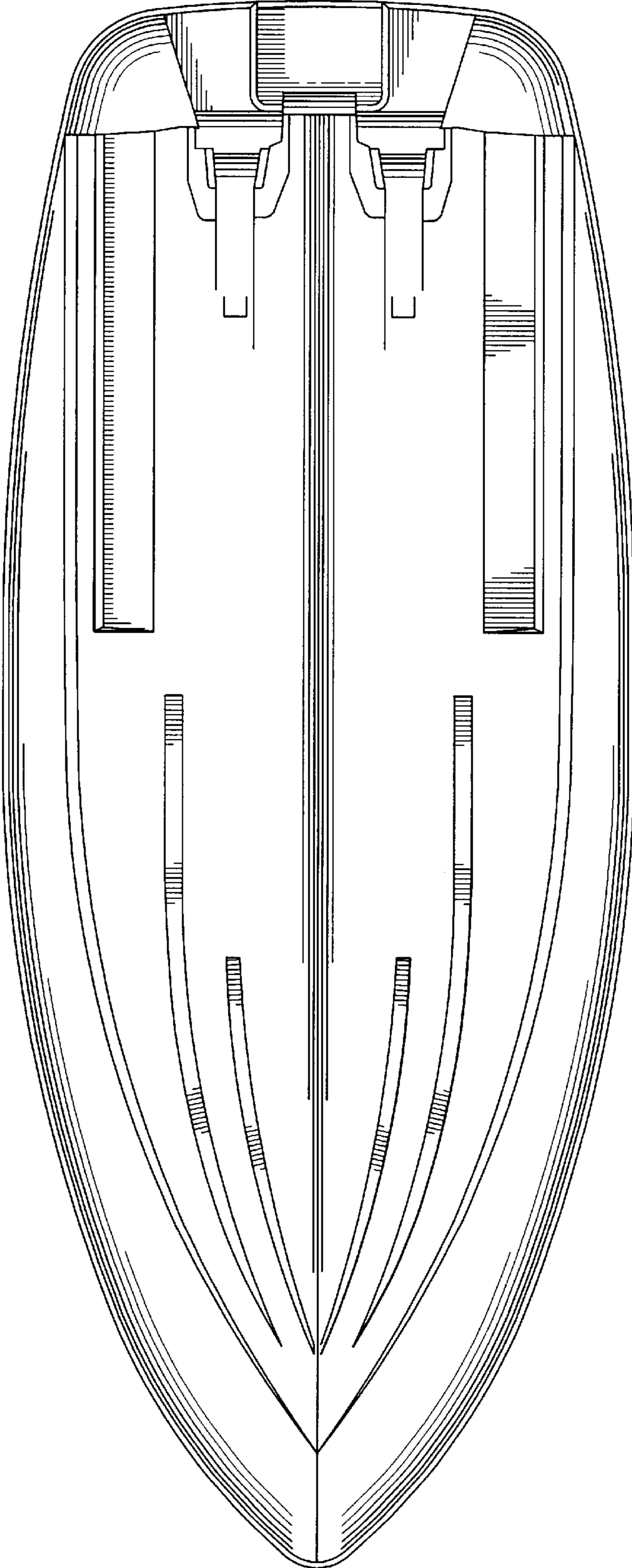


FIG. 7