



US00D513395S

(12) **United States Design Patent**
Pizzuti et al.

(10) **Patent No.:** **US D513,395 S**
(45) **Date of Patent:** **** Jan. 3, 2006**

(54) **AUTOMOBILE BODY**
(75) Inventors: **Aaron D Pizzuti**, Royal Oak, MI (US);
John P Sgalia, Farmington Hills, MI (US)

(73) Assignee: **DaimlerChrysler Corporation**, Auburn Hills, MI (US)

(**) Term: **14 Years**

(21) Appl. No.: **29/217,274**

(22) Filed: **Nov. 15, 2004**

(51) **LOC (8) Cl.** **12-08**

(52) **U.S. Cl.** **D12/91**

(58) **Field of Classification Search** D12/90-92,
D12/86; D21/548, 549; 296/181.1, 181.5
See application file for complete search history.

(56) **References Cited**

U.S. PATENT DOCUMENTS

D350,504 S	9/1994	Nixon	
D391,520 S	3/1998	Laster	
D391,900 S	* 3/1998	Skoog D12/91
D401,186 S	11/1998	Abbott et al.	
D408,329 S	4/1999	Anness et al.	
D416,519 S	11/1999	Won et al.	

D420,939 S	2/2000	Faurote et al.	
D424,992 S	5/2000	Faurote	
D454,813 S	* 3/2002	Boniface et al. D12/91
D466,444 S	* 12/2002	Meadows D12/91
D476,268 S	6/2003	Castiglione et al.	
D495,275 S	8/2004	Castiglione et al.	
D497,572 S	10/2004	Widmann et al.	

* cited by examiner

Primary Examiner—Melody N. Brown

(74) *Attorney, Agent, or Firm*—Ralph E. Smith

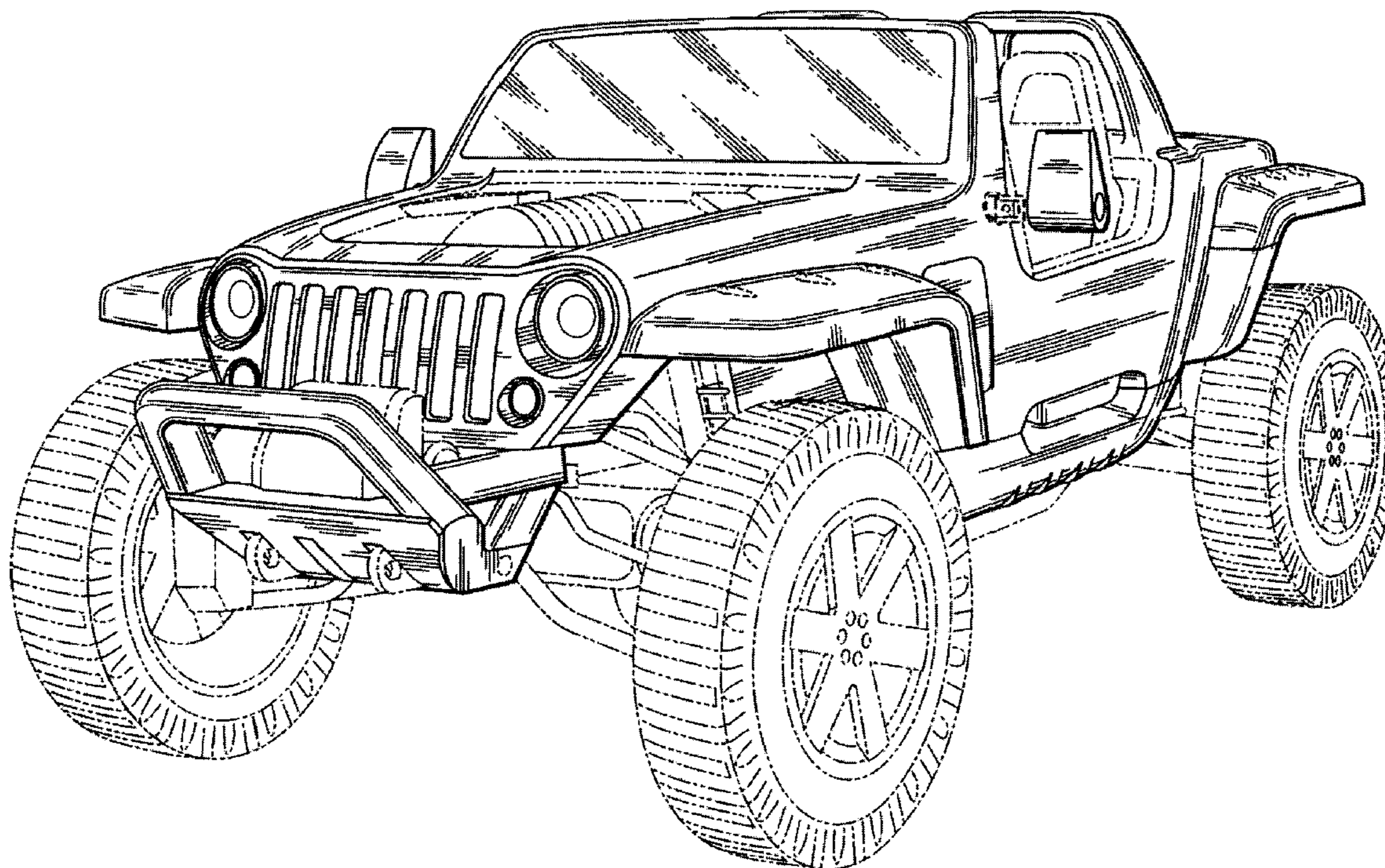
(57) **CLAIM**

The ornamental design for an automobile body, as shown and described.

DESCRIPTION

FIG. 1 is a front perspective view of an automobile body showing our new design;
FIG. 2 is a side view thereof;
FIG. 3 is a front view thereof;
FIG. 4 is a rear view thereof;
FIG. 5 is a rear perspective view thereof; and,
FIG. 6 is a top plan view thereof.
It will be understood that the dashed lines presented in the drawings are for illustration only, and do not form a part of the claimed design.

1 Claim, 5 Drawing Sheets



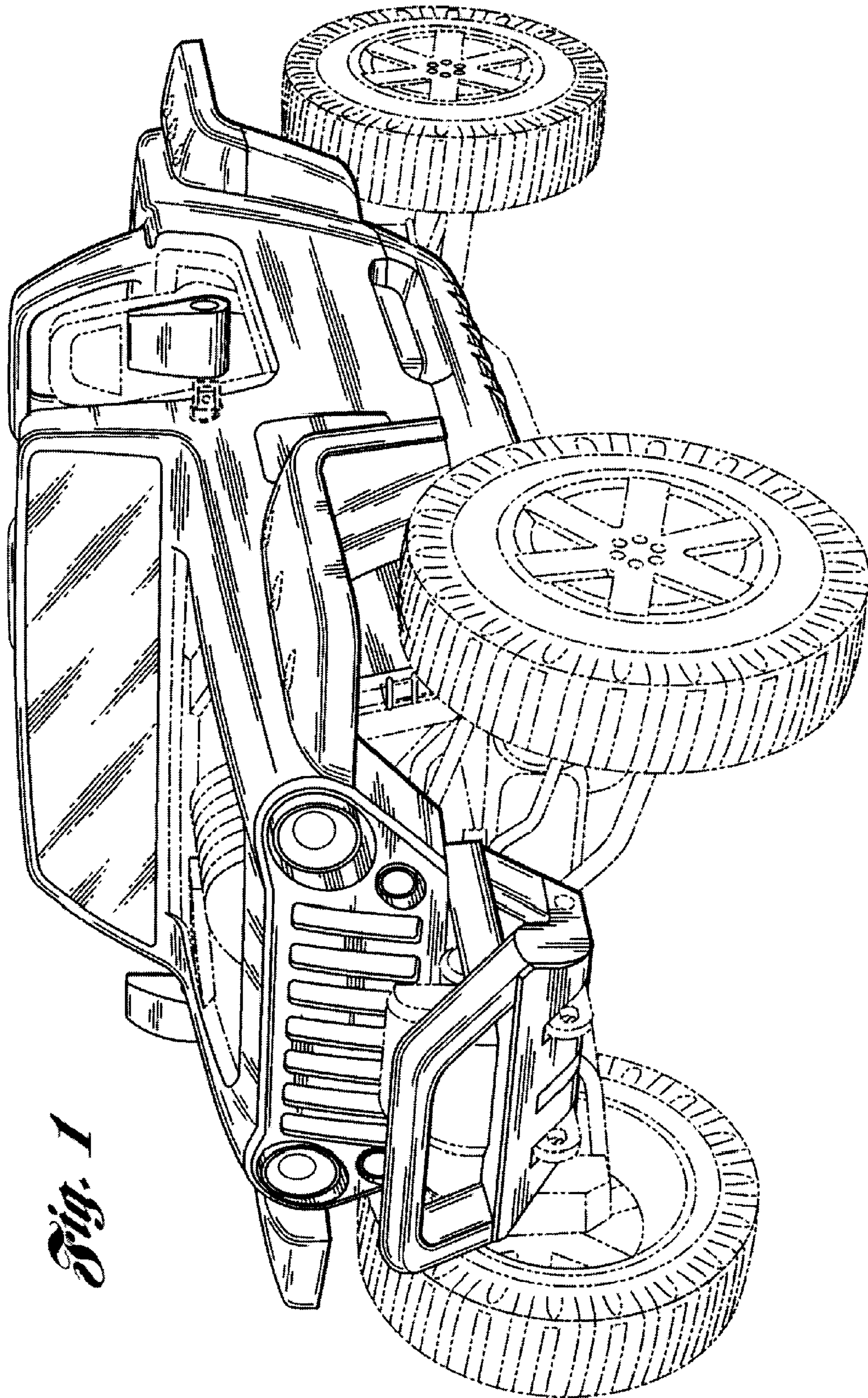


Fig. 1

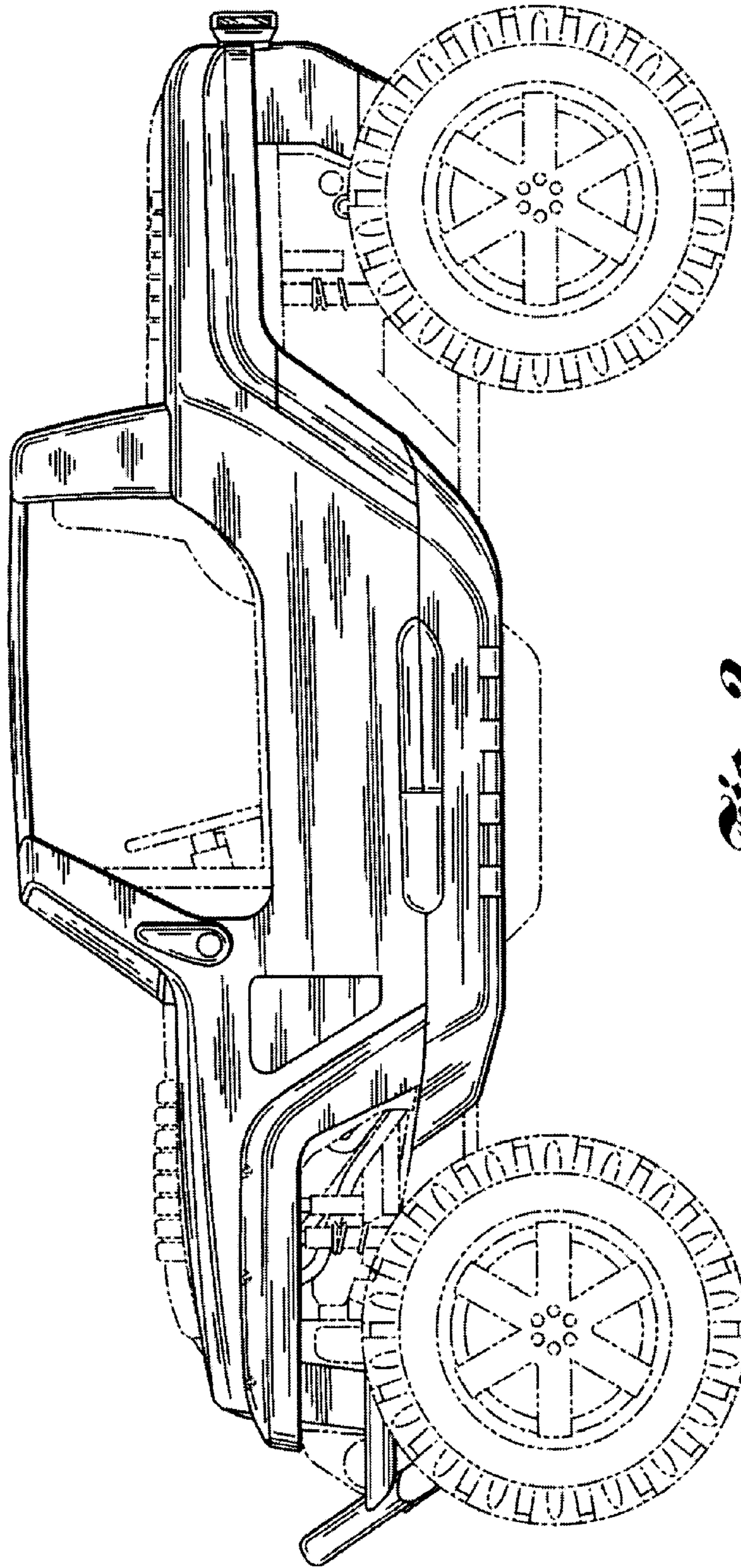


Fig. 2

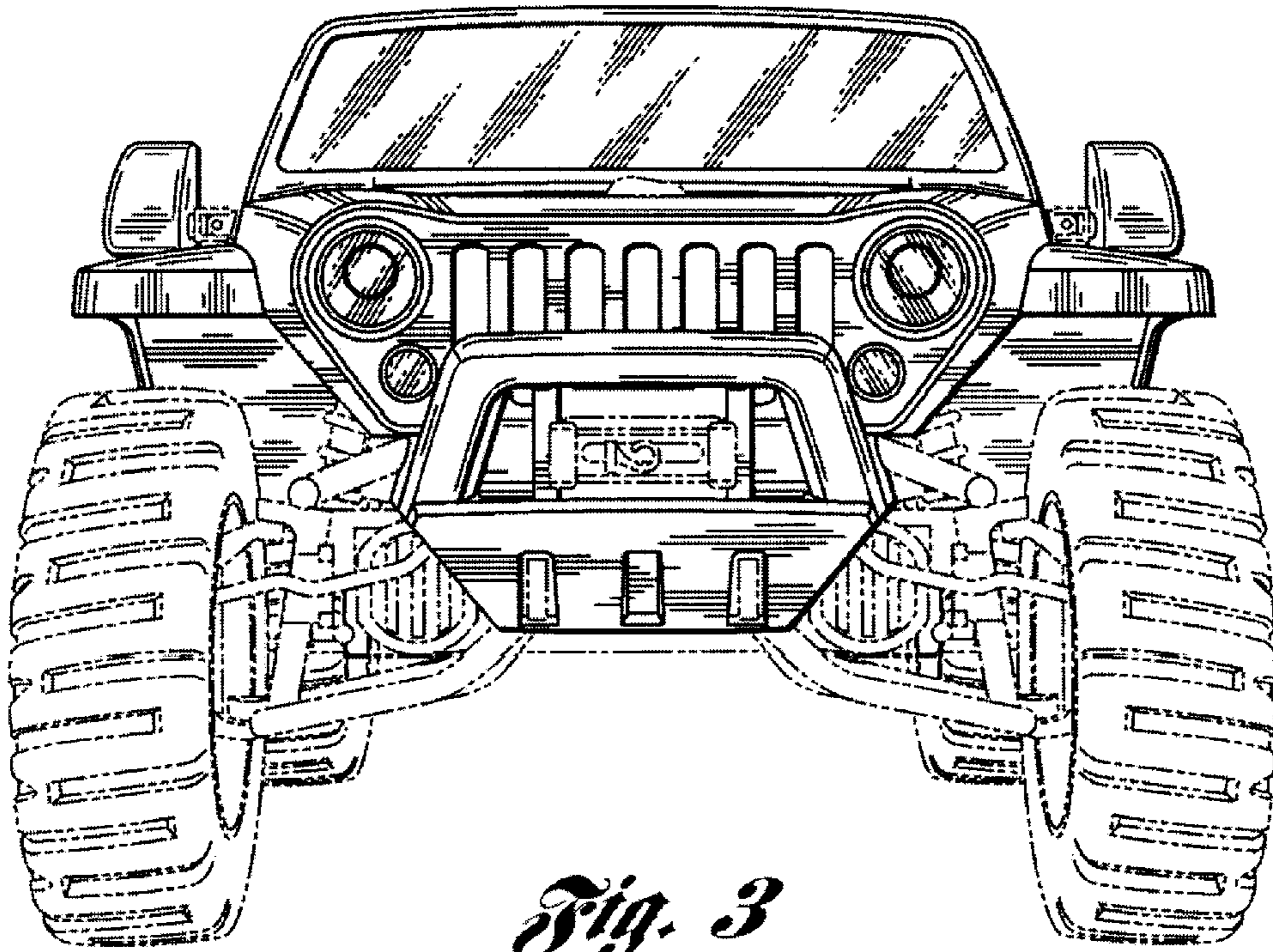


Fig. 3

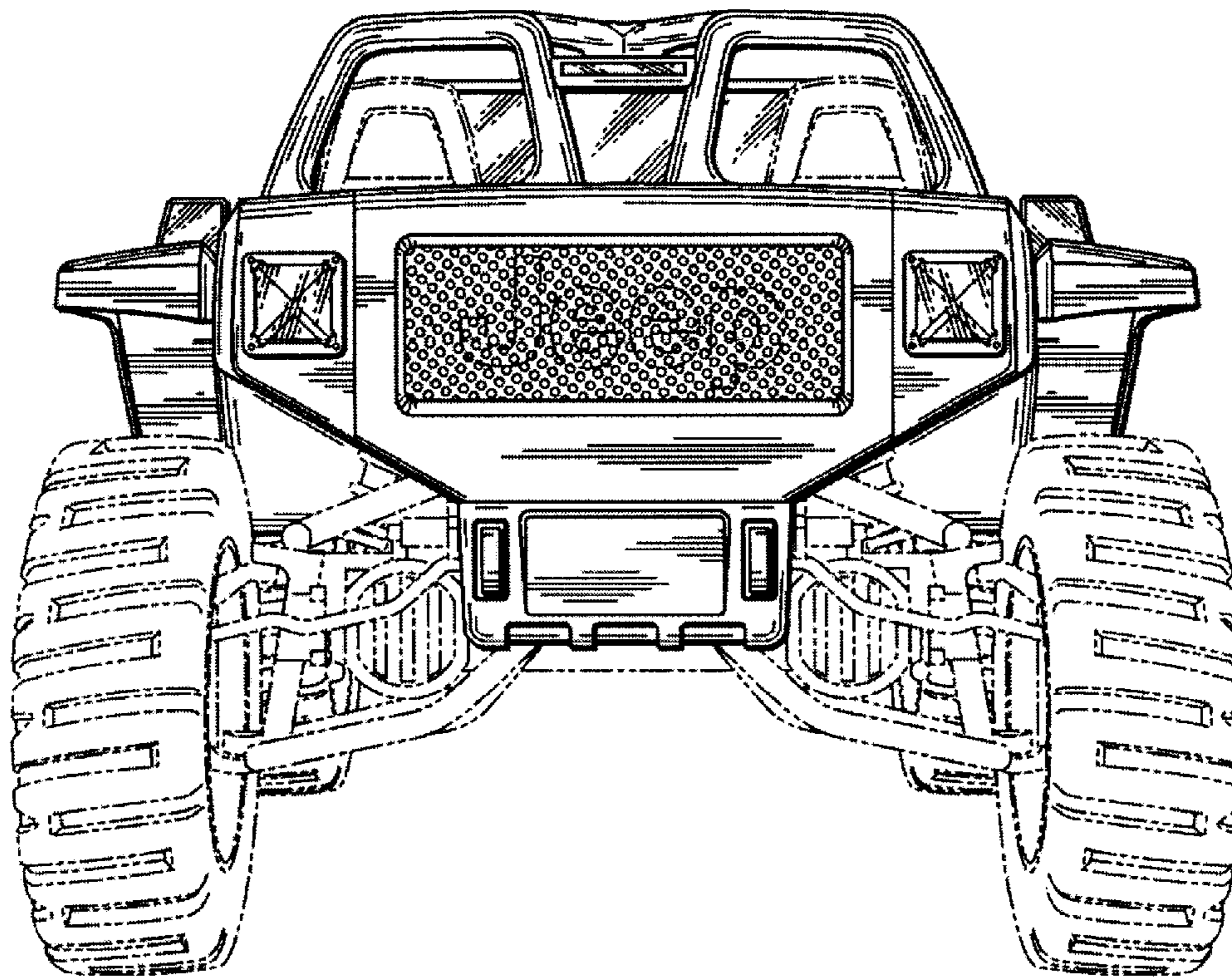


Fig. 4

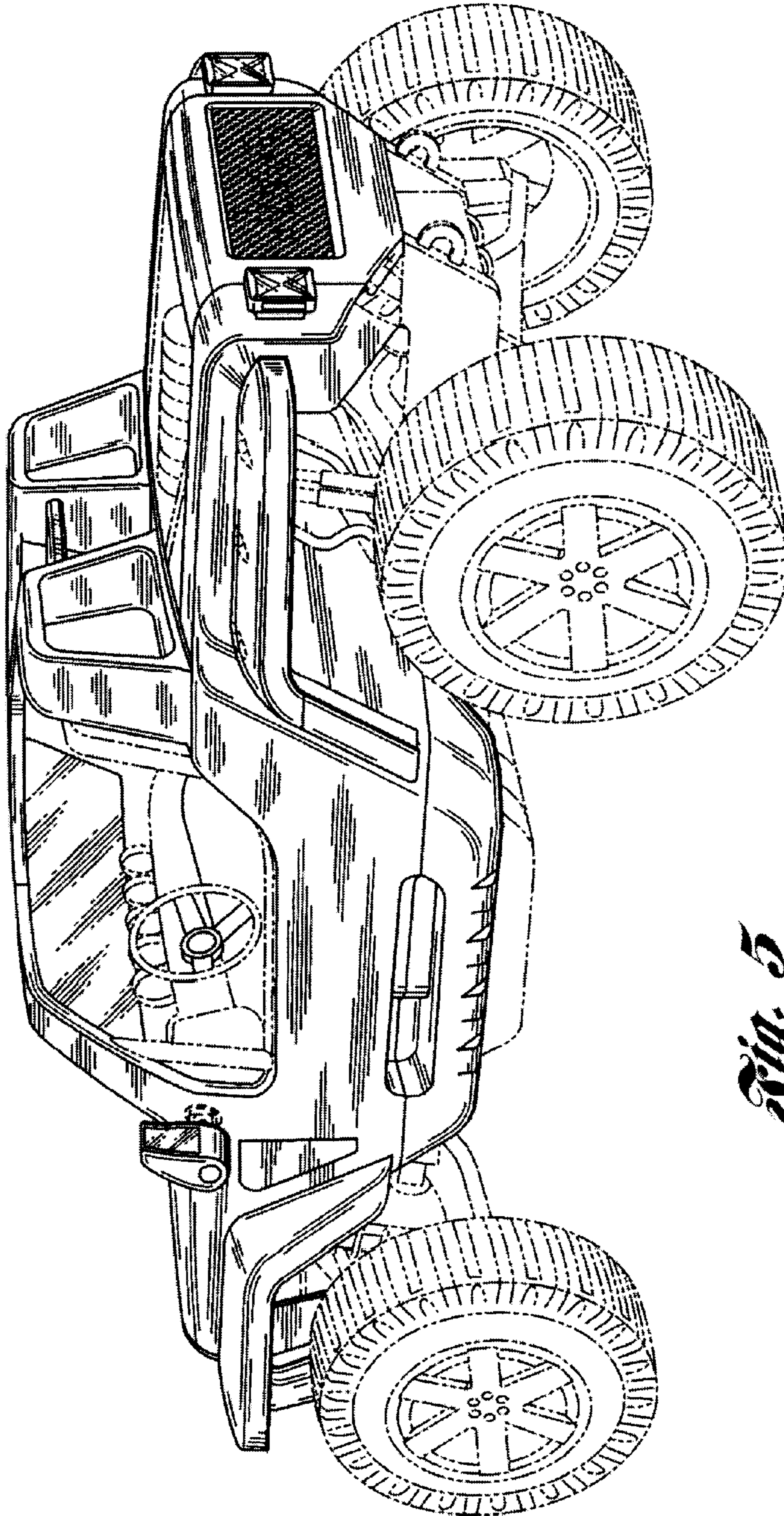


Fig. 5

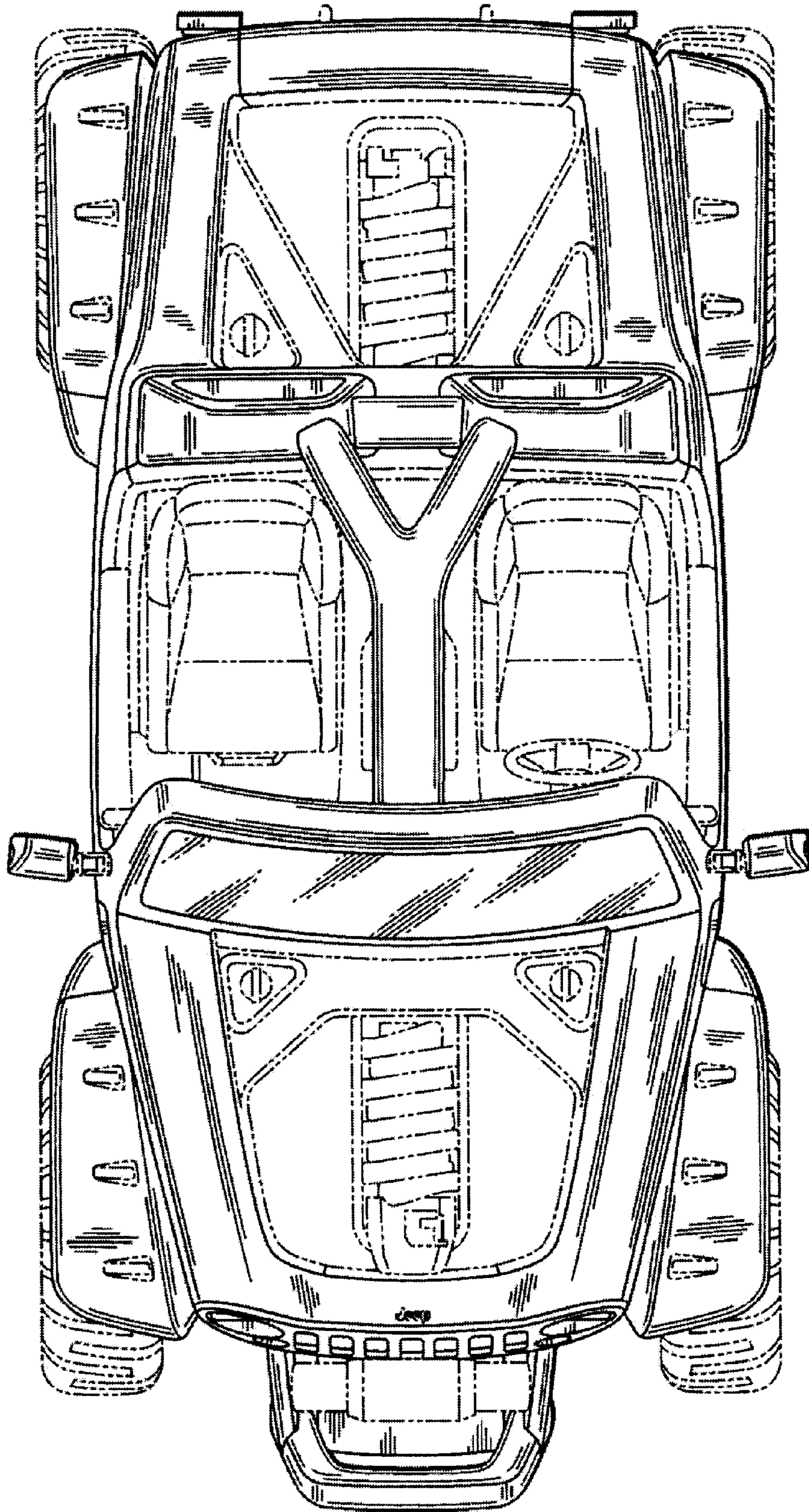


Fig. 6