



US00D513390S

(12) **United States Design Patent**
Gueit

(10) **Patent No.:** **US D513,390 S**
(45) **Date of Patent:** **** Jan. 3, 2006**

- (54) **WATCHCASE WITH DIAL**
- (75) **Inventor:** **Jean-Claude Gueit, Perly (CH)**
- (73) **Assignee:** **Richemont International S.A.,
Villars-sur-Glane (CH)**
- (**) **Term:** **14 Years**

- D400,446 S * 11/1998 Mouawad D10/32
- D402,567 S * 12/1998 Gueit D10/32
- D420,922 S * 2/2000 Gueit D10/32
- D434,676 S * 12/2000 Pequignet D10/32
- D454,310 S * 3/2002 Dostourian D10/30
- D487,404 S * 3/2004 Dubarry D10/39
- D498,683 S * 11/2004 Arabov D10/39
- D500,684 S * 1/2005 Peraldi D10/39

* cited by examiner

- (21) **Appl. No.:** **29/215,215**
- (22) **Filed:** **Oct. 18, 2004**

Primary Examiner—Lucy Lieberman
(74) *Attorney, Agent, or Firm*—Young & Thompson

(30) **Foreign Application Priority Data**

Apr. 16, 2004 (WO) DM/065 483

- (51) **LOC (8) Cl.** **10-02**
- (52) **U.S. Cl.** **D10/39**
- (58) **Field of Classification Search** D10/30-39,
D10/122-132; 368/281, 282, 82-84, 28-30,
368/239-242, 276, 277, 278, 285, 223, 228,
368/294-295; 63/1.13; 224/164, 168
See application file for complete search history.

(57) **CLAIM**

The ornamental design for a watchcase with dial, as shown and described.

DESCRIPTION

FIG. 1 is a bottom view of the watchcase with dial.
FIG. 2 is a top view of the watchcase with dial.
FIG. 3 is a side view from the left of FIG. 2.
FIG. 4 is a side view from the right of FIG. 2.
FIG. 5 is a side view from the top of FIG. 2.
FIG. 6 is a side view from the bottom of FIG. 2; and,
FIG. 7 is a perspective view of the watchcase with dial.

(56) **References Cited**

U.S. PATENT DOCUMENTS

D303,635 S * 9/1989 Kurzina D10/32

1 Claim, 2 Drawing Sheets

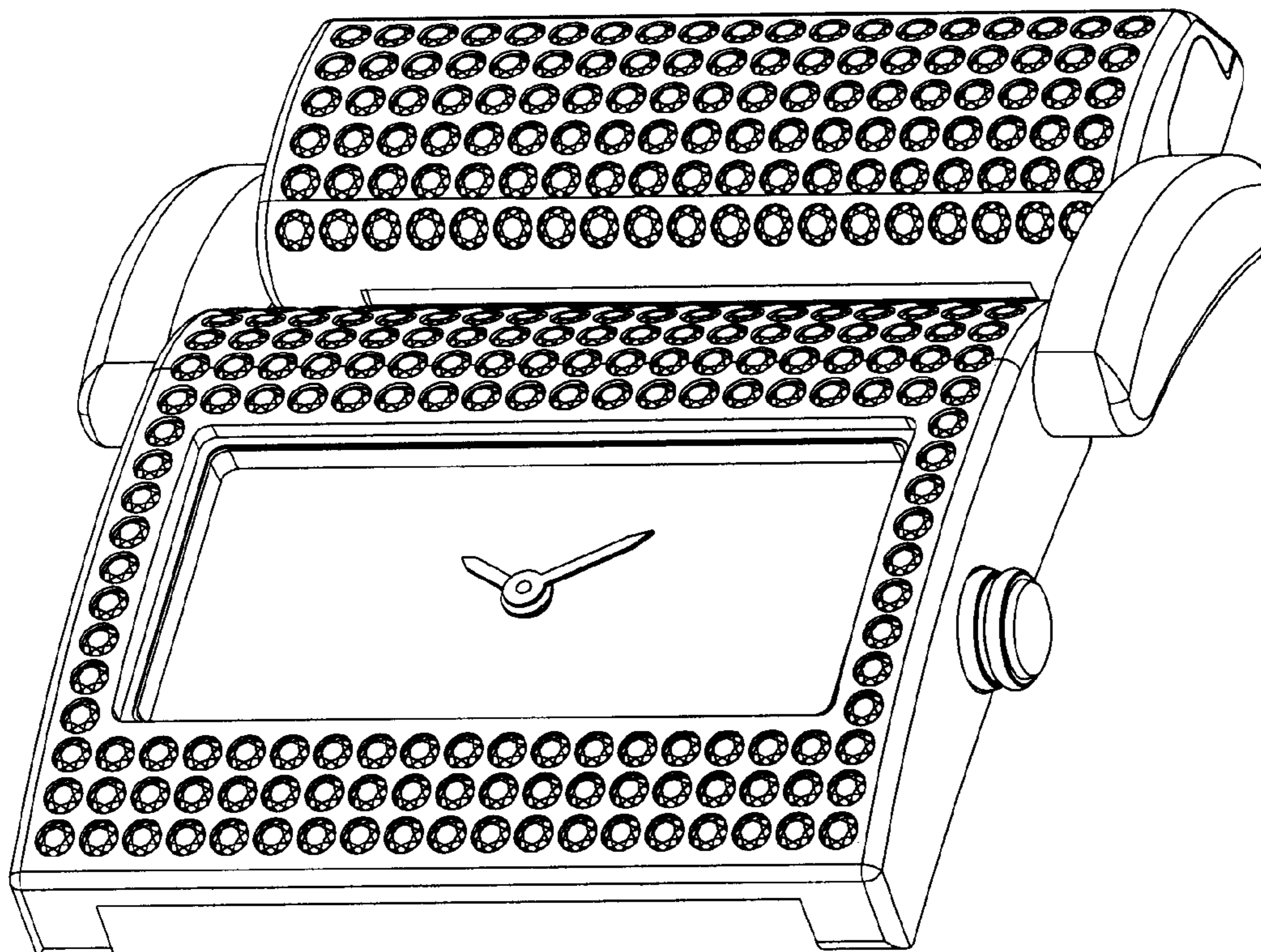


Fig. 1

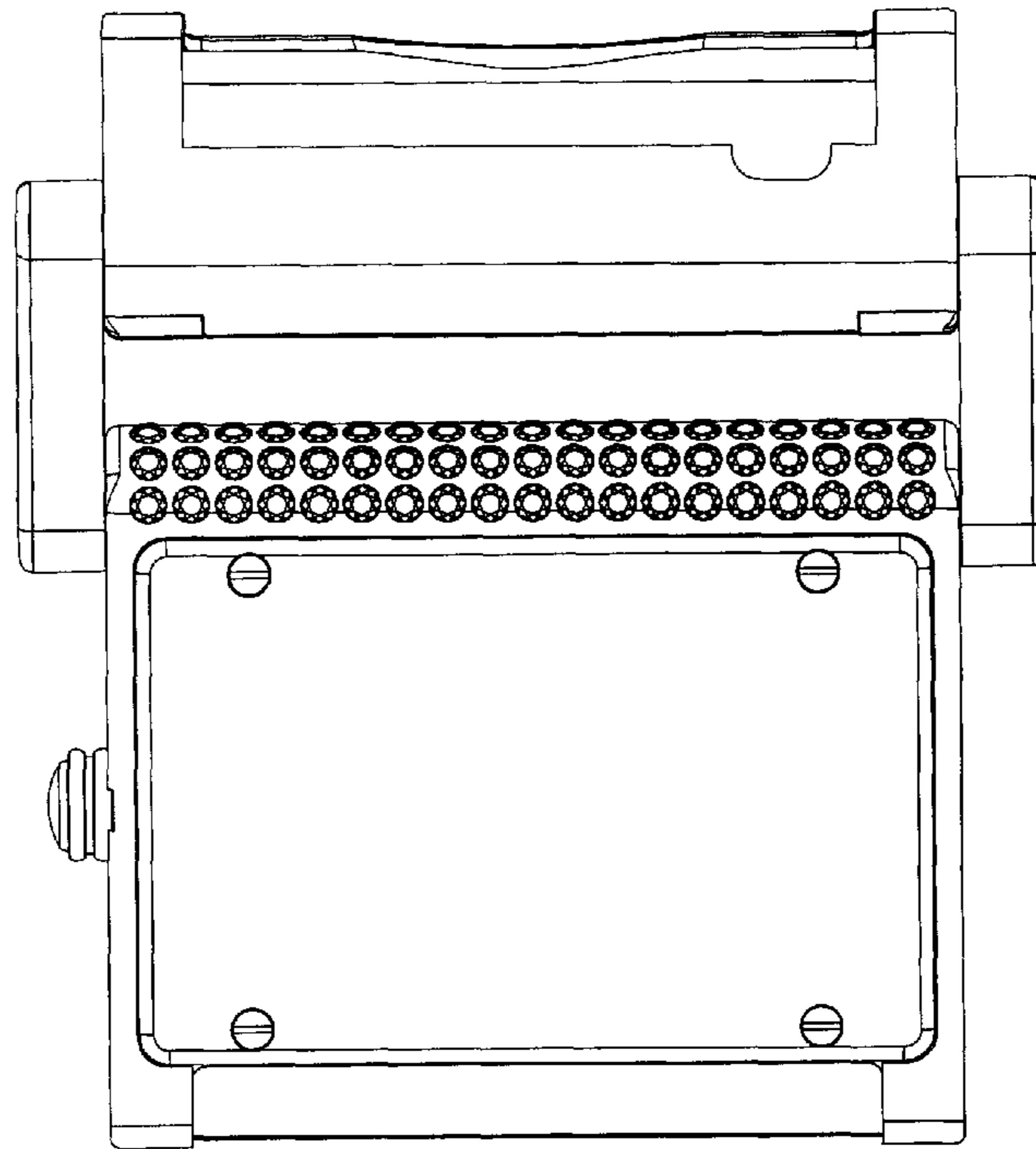


Fig. 2

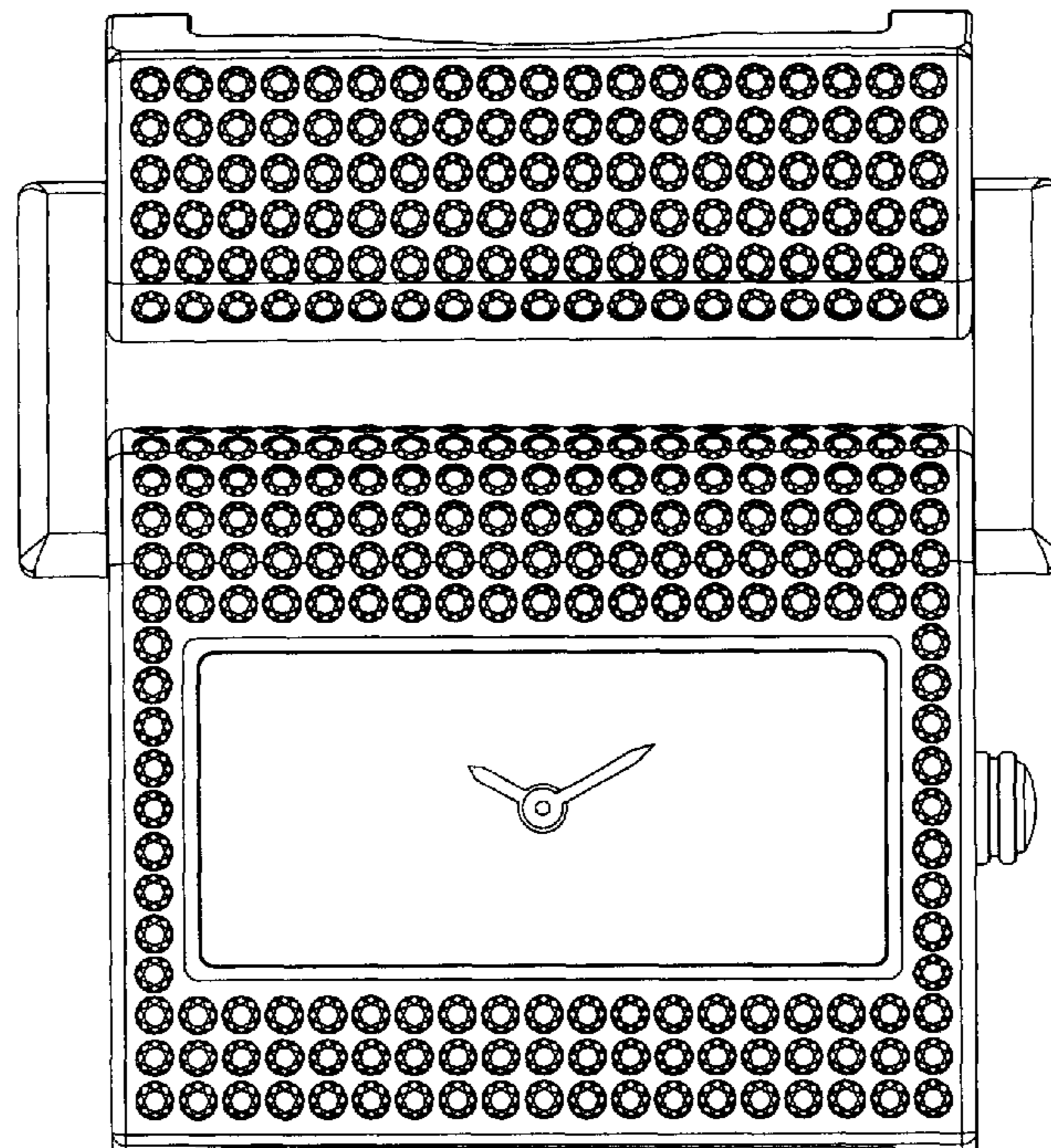


Fig. 3

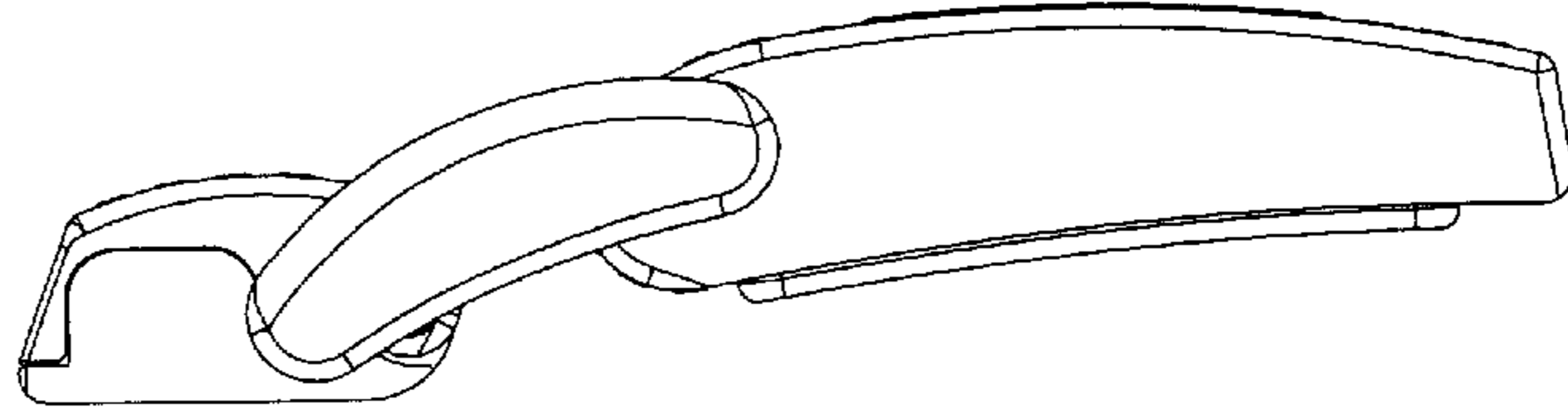


Fig. 4

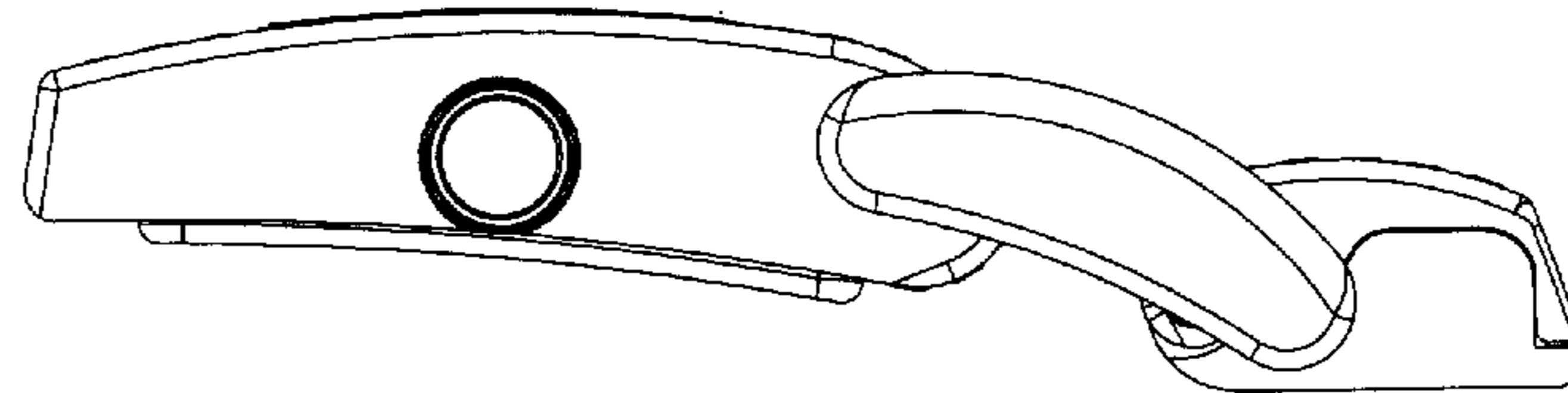


Fig. 5

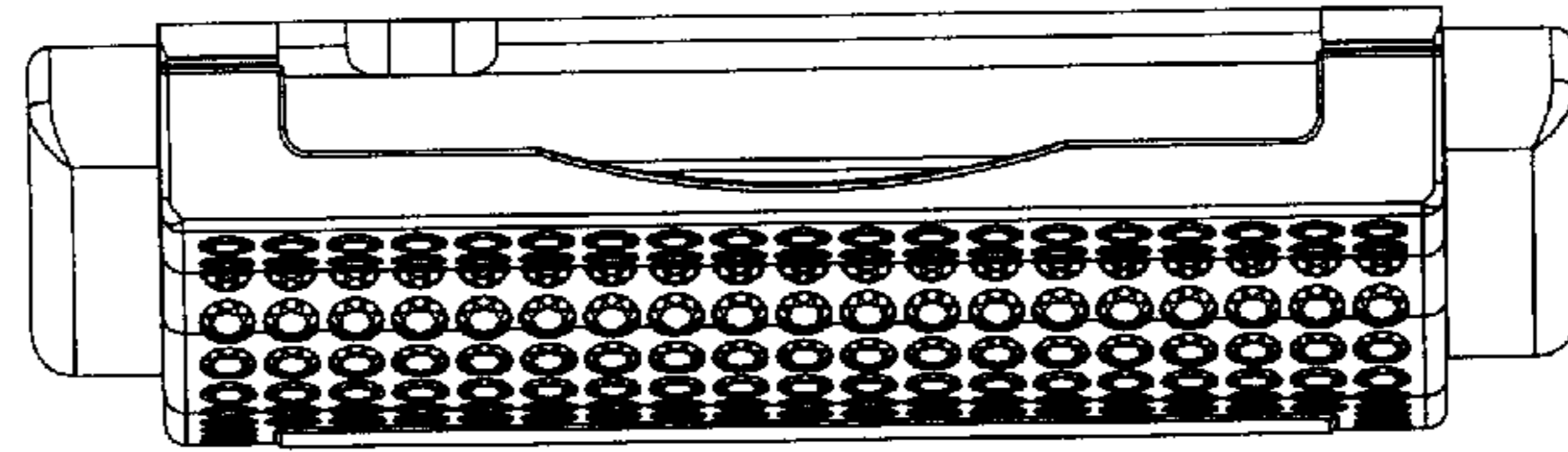


Fig. 6

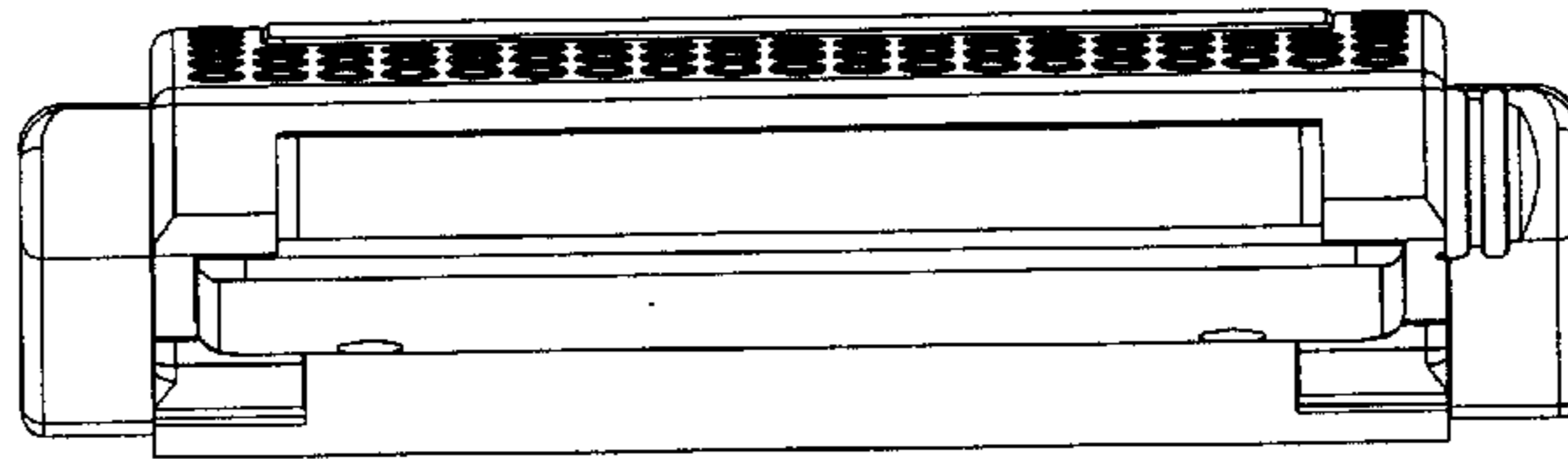


Fig. 7

