



US00D513386S

(12) **United States Design Patent** (10) **Patent No.:** **US D513,386 S**  
**Pace et al.** (45) **Date of Patent:** **\*\* Jan. 3, 2006**

(54) **CONTAINER WITH LID**  
(75) Inventors: **Gregory A. Pace**, Nunnely, TN (US);  
**James E. Dillard, III**, Cos Cob, CT  
(US); **Charles H. Keltz**, Joliet, IL (US)  
(73) Assignee: **U.S. Smokeless Tobacco Company**,  
Greenwich, CT (US)  
(\*\*) Term: **14 Years**  
(21) Appl. No.: **29/222,463**  
(22) Filed: **Jan. 31, 2005**  
(51) **LOC (8) Cl.** ..... **09-03**  
(52) **U.S. Cl.** ..... **D9/504**  
(58) **Field of Classification Search** ..... D9/503,  
D9/504, 529, 537, 539, 549, 558, 563, 428,  
D9/435, 454, 719; 15/244.1; 132/298; D28/77,  
D28/82, 91; D27/190; 220/4.27, 212, 281,  
220/284, 780-796; 215/317; 206/1.5, 229,  
206/525, 823  
See application file for complete search history.

D273,766 S 5/1984 Lampe  
D281,764 S 12/1985 Legrottaglie  
4,646,933 A 3/1987 Jurczenia et al.  
D291,971 S 9/1987 Smith  
4,765,501 A 8/1988 Kao  
D303,584 S 9/1989 Bakic  
4,866,952 A 9/1989 Hight et al.  
5,246,133 A 9/1993 James  
D352,896 S \* 11/1994 Jones ..... D9/428  
5,377,860 A 1/1995 Littlejohn et al.  
5,427,266 A 6/1995 Yun  
5,632,971 A 5/1997 Yang  
5,660,303 A 8/1997 Hirose  
5,752,599 A 5/1998 Veltman  
5,769,267 A 6/1998 Duynslager et al.  
5,791,473 A 8/1998 Decker et al.  
5,794,814 A 8/1998 Baerenwald  
5,806,710 A 9/1998 Shiffer et al.  
D400,787 S 11/1998 Keener

(Continued)

*Primary Examiner*—Nanda Bondade  
*Assistant Examiner*—Shanda C. Hill  
(74) *Attorney, Agent, or Firm*—Fitch, Even, Tabin &  
Flannery

(56) **References Cited**

**U.S. PATENT DOCUMENTS**

216,831 A 6/1879 Collings  
411,773 A 10/1889 Atkinson  
D28,413 S 3/1898 Taite  
660,739 A 10/1900 Taylor  
663,415 A 12/1900 Charles  
1,214,899 A 2/1917 Curran  
1,616,381 A \* 2/1927 MacDougall ..... 132/298  
1,975,703 A 10/1934 Vitale  
2,047,951 A 7/1936 Eberhart  
2,493,086 A 1/1950 Reifsnyder  
2,789,607 A 4/1957 Tupper  
D184,789 S 3/1959 Zehntner et al.  
2,878,848 A 3/1959 Coltman, Jr.  
3,122,990 A 3/1964 Fried  
3,206,016 A 9/1965 Fowle et al.  
4,098,421 A 7/1978 Foster  
4,124,135 A 11/1978 Weder et al.  
4,165,815 A \* 8/1979 Vetter ..... 220/4.27  
4,190,170 A 2/1980 Boyd

(57) **CLAIM**

The ornamental design for a container with lid, as shown and described.

**DESCRIPTION**

FIG. 1 is a top perspective view of a container with lid showing our new design;  
FIG. 2 is a bottom perspective view thereof;  
FIG. 3 is an exploded perspective view thereof;  
FIG. 4 is another exploded perspective view thereof;  
FIG. 5 is a top plan view thereof;  
FIG. 6 is a front elevational view thereof, the rear, left and right views being identical thereto;  
FIG. 7 is an exploded front elevational view thereof, the rear, left and right views being identical thereto; and,  
FIG. 8 is another exploded front elevational view thereof, the rear, left and right views being identical thereto.

**1 Claim, 8 Drawing Sheets**



# US D513,386 S

Page 2

---

## U.S. PATENT DOCUMENTS

5,833,088	A	11/1998	Kladders et al.				
D403,470	S	* 12/1998	Litton et al. ....	D28/82	6,119,890	A	9/2000 Kawamata
5,894,952	A	4/1999	Mendenhall et al.		D431,458	S	10/2000 Bried et al.
5,894,953	A	4/1999	Ramirez		6,158,607	A	12/2000 Wallberg
5,960,985	A	10/1999	Barrett		6,164,484	A	12/2000 Fiore et al.
6,015,061	A	1/2000	Lowry		D476,233	S	6/2003 Versace
H1855	H	* 8/2000	Litton et al. ....	D28/82	D494,474	S	* 8/2004 Hauk et al. .... D9/504
					D498,678	S	* 11/2004 Ames ..... D9/529

\* cited by examiner



FIG. 1

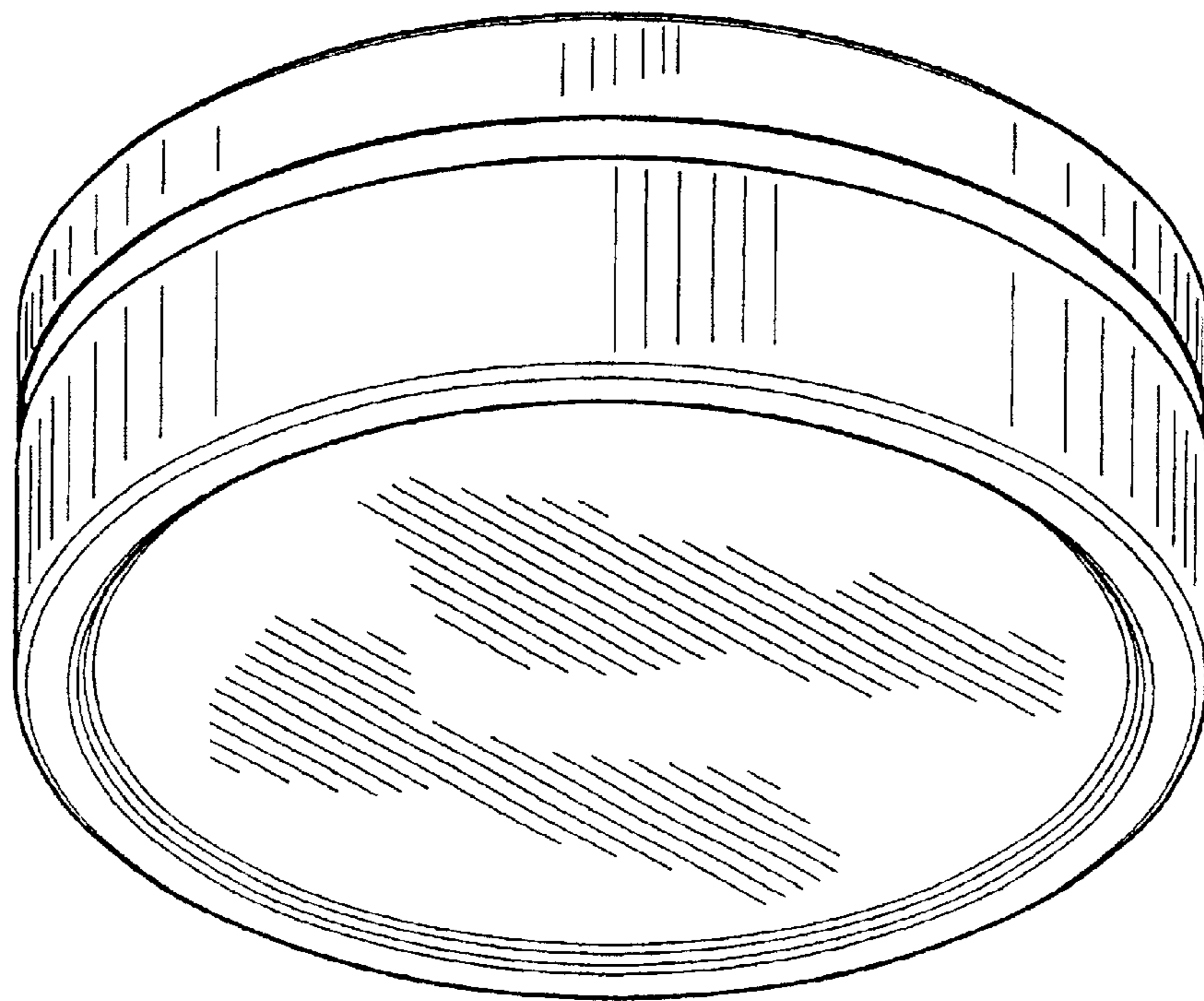


FIG. 2

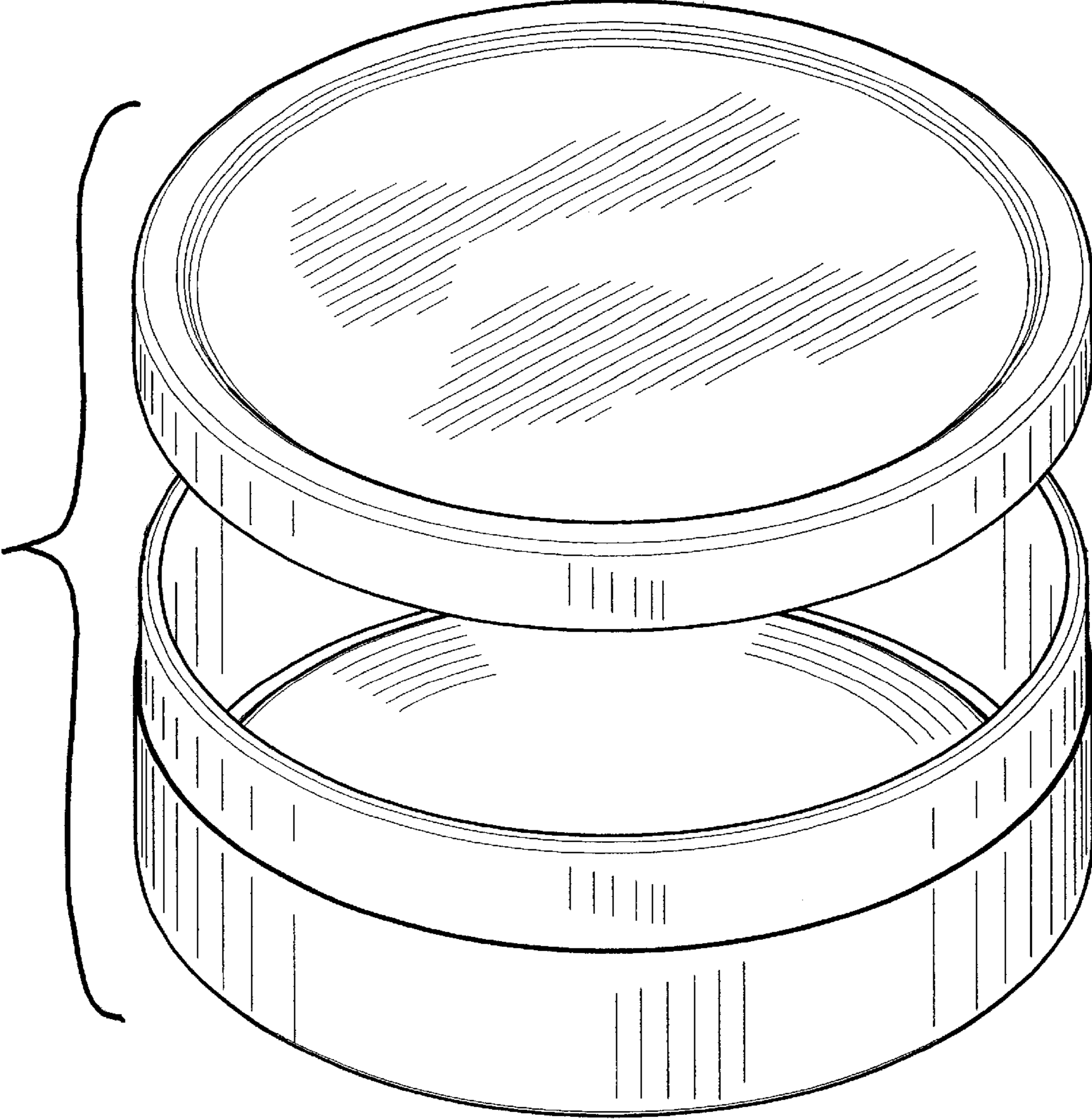


FIG. 3

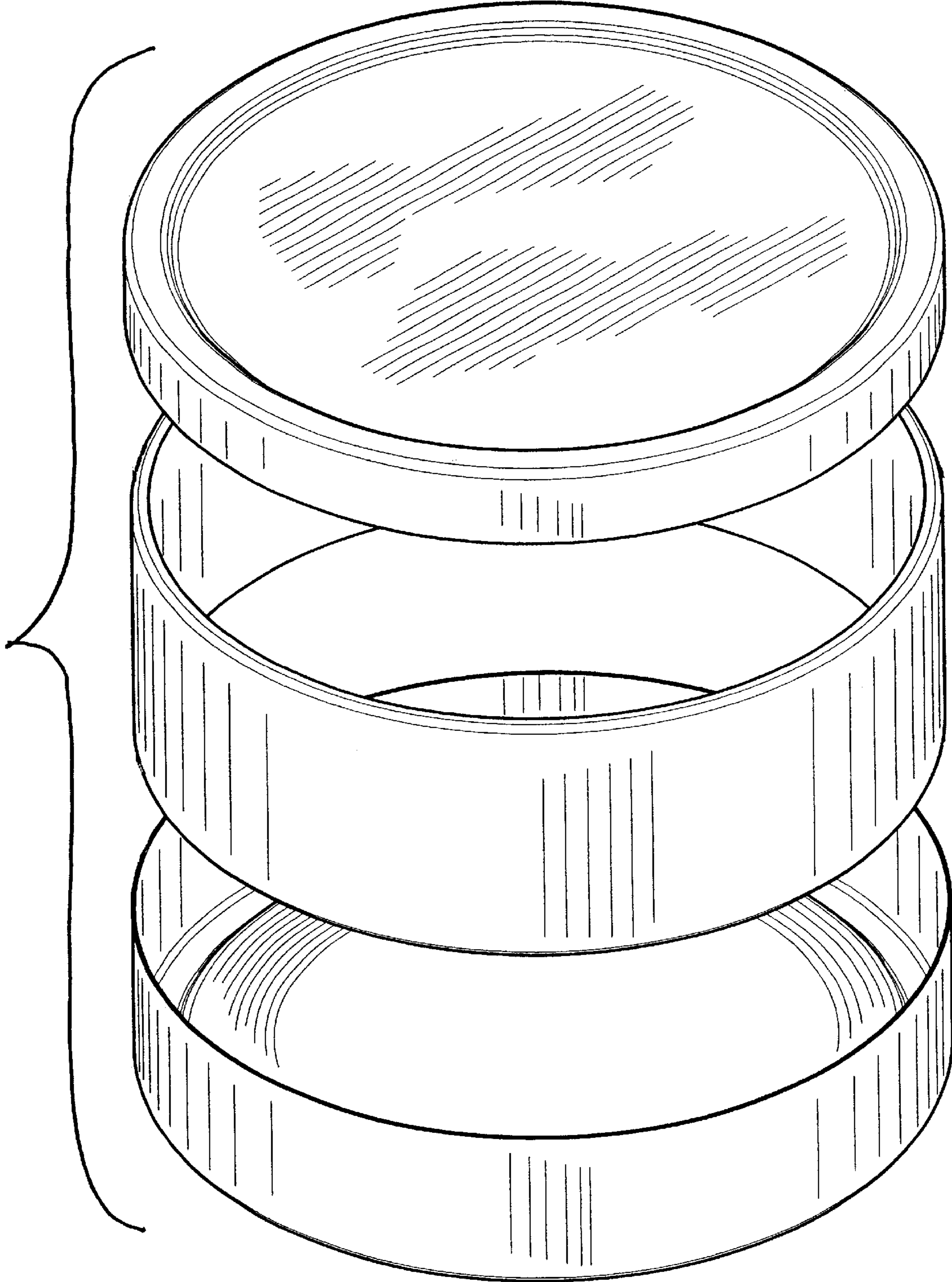


FIG. 4

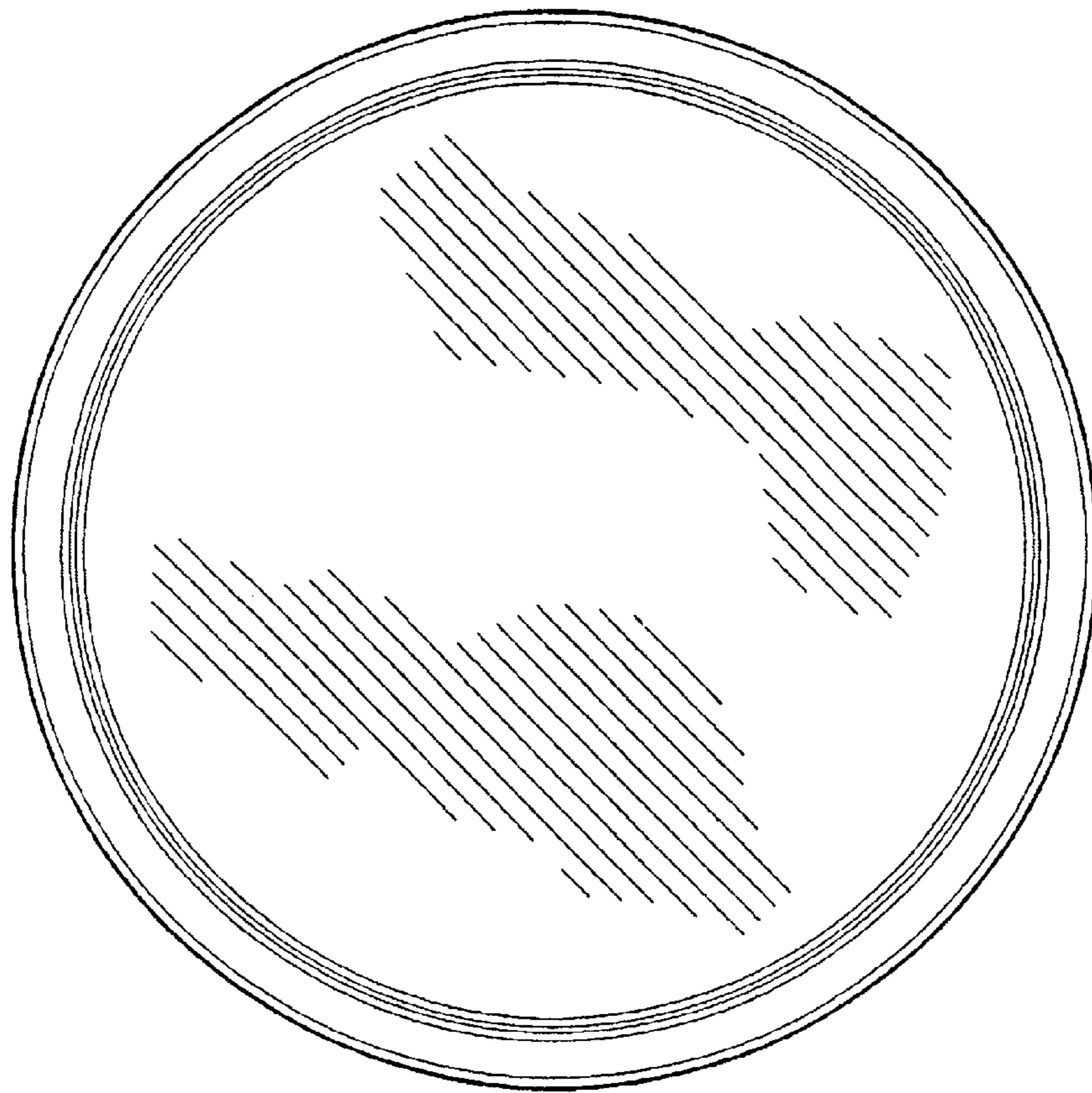


FIG. 5

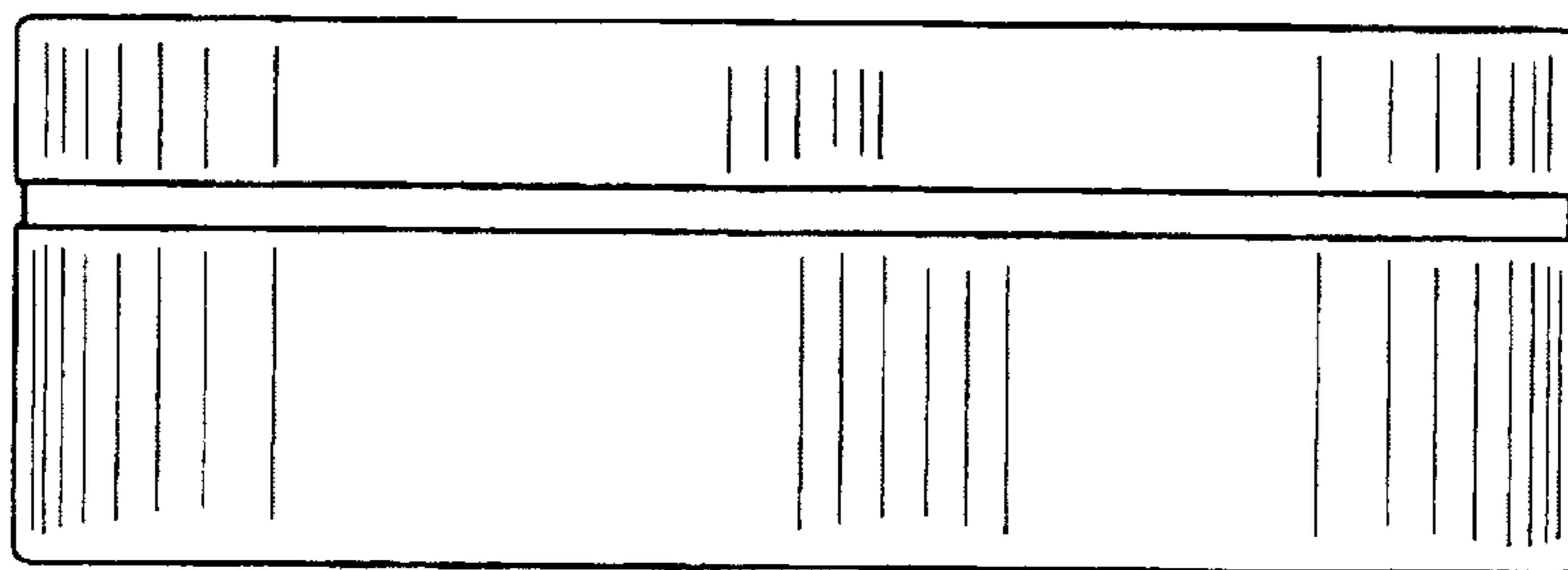


FIG. 6



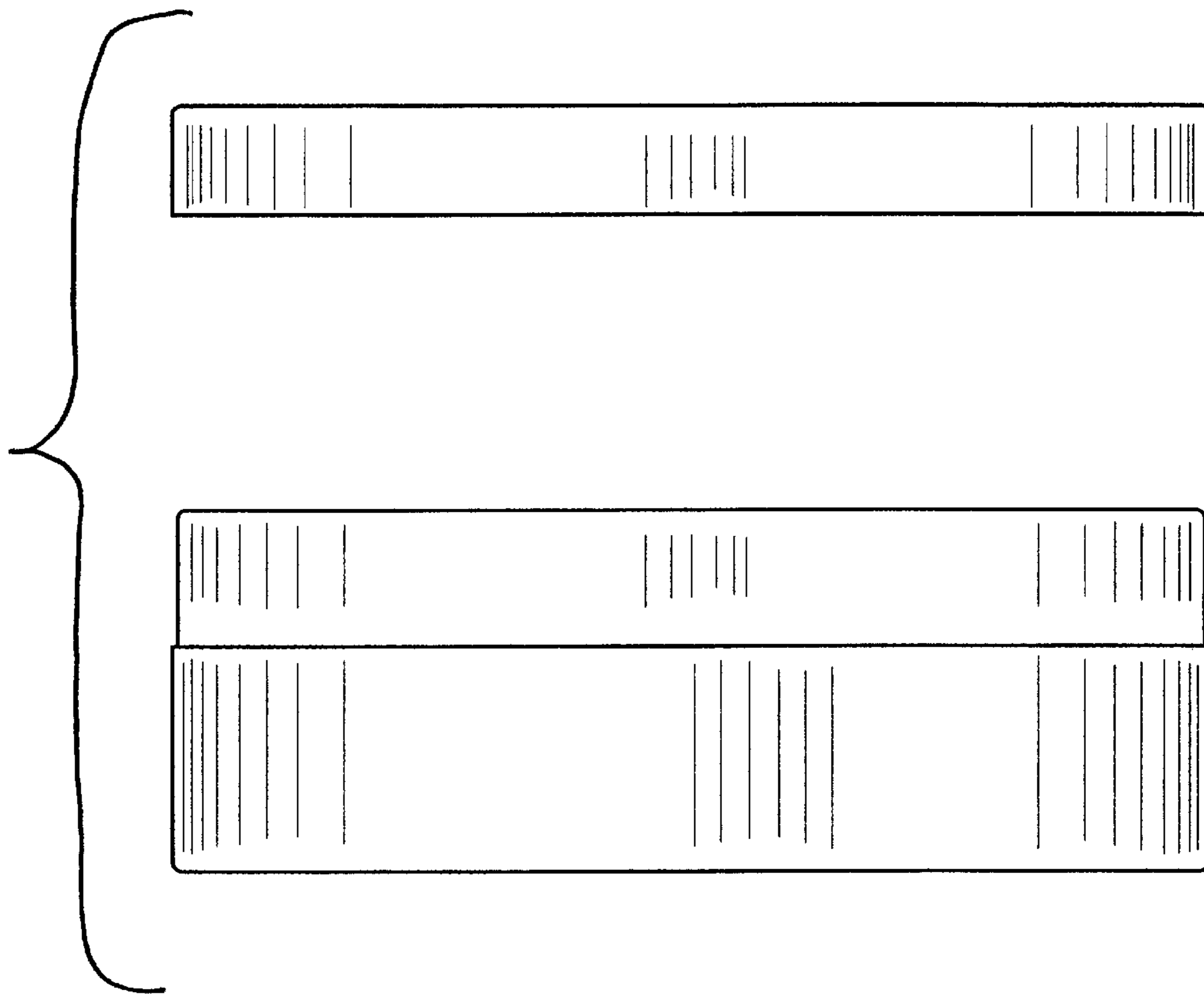


FIG. 7

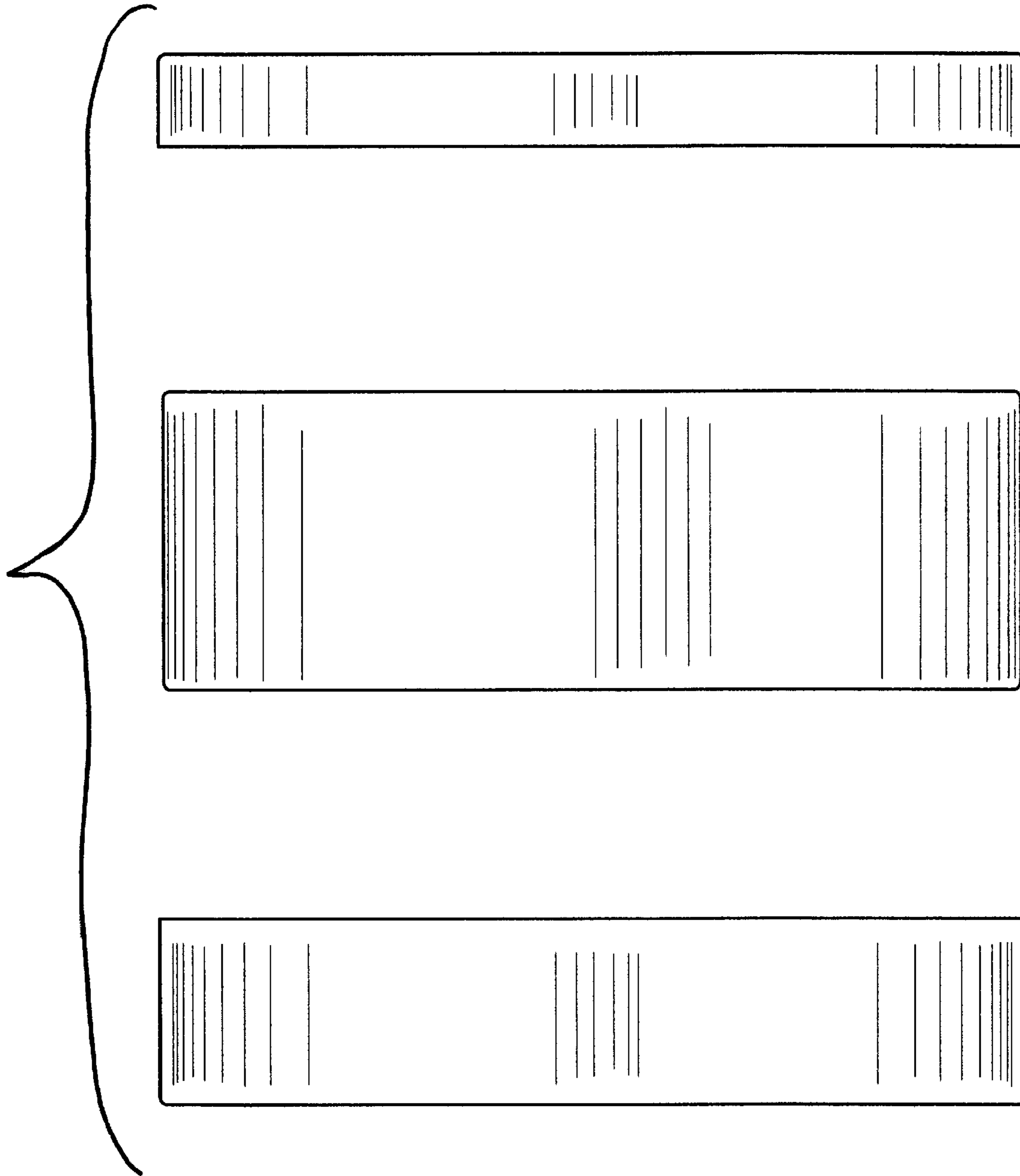


FIG. 8