



US00D513384S

(12) **United States Design Patent**
Perry

(10) **Patent No.:** **US D513,384 S**
(45) **Date of Patent:** **** Jan. 3, 2006**

(54) **DISPENSING DEVICE**

(75) Inventor: **Timothy Perry**, Ealing (GB)

(73) Assignee: **Boots Healthcare International Limited**, Nottingham (GB)

(**) Term: **14 Years**

(21) Appl. No.: **29/183,068**

(22) Filed: **Jun. 6, 2003**

(30) **Foreign Application Priority Data**

Dec. 6, 2002 (GB) 3009231

(51) **LOC (8) Cl.** **09-07**

(52) **U.S. Cl.** **D9/447; D9/445**

(58) **Field of Classification Search** D9/300,
D9/302, 350, 435, 436, 440, 442, 445, 452,
D9/447-450, 454, 520, 503-505, 529, 537,
D9/542, 545, 550, 682, 688, 689; 222/402,
222/321; 215/11.1, 10; D24/197

See application file for complete search history.

(56) **References Cited**

U.S. PATENT DOCUMENTS

2,619,245 A * 11/1952 Levi 215/10
D198,761 S * 7/1964 Roe D9/447
D325,783 S * 4/1992 Anderson D9/447

D360,807 S * 8/1995 Scholfield D7/511
D422,179 S * 4/2000 Stephenson D7/511
D476,890 S * 7/2003 Hirose D9/447

* cited by examiner

Primary Examiner—Robert M. Spear

Assistant Examiner—Susan Bennett Hattan

(74) *Attorney, Agent, or Firm*—Rothwell, Figg, Ernst & Manbeck, P.C.

(57) **CLAIM**

The ornamental design for a dispensing device, as shown and described.

DESCRIPTION

FIG. 1 is a front view, the back view being identical, of an embodiment of the dispensing device of this invention; FIG. 2 is a plan or top view of the device of FIG. 1; FIG. 3 is a bottom view of the device of FIG. 1; FIG. 4 is a side view, the opposite side being identical, of the device of FIG. 1; FIG. 5 is a part sectional view along 5—5 of FIG. 2; FIG. 6 is a part sectional view along 6—6 of FIG. 2; and, FIG. 7 is a front view of the device of FIG. 1 on a container (which is not claimed).

The broken line showing of a bottle is for illustrative purposes only and forms no part of the claimed design.

1 Claim, 3 Drawing Sheets

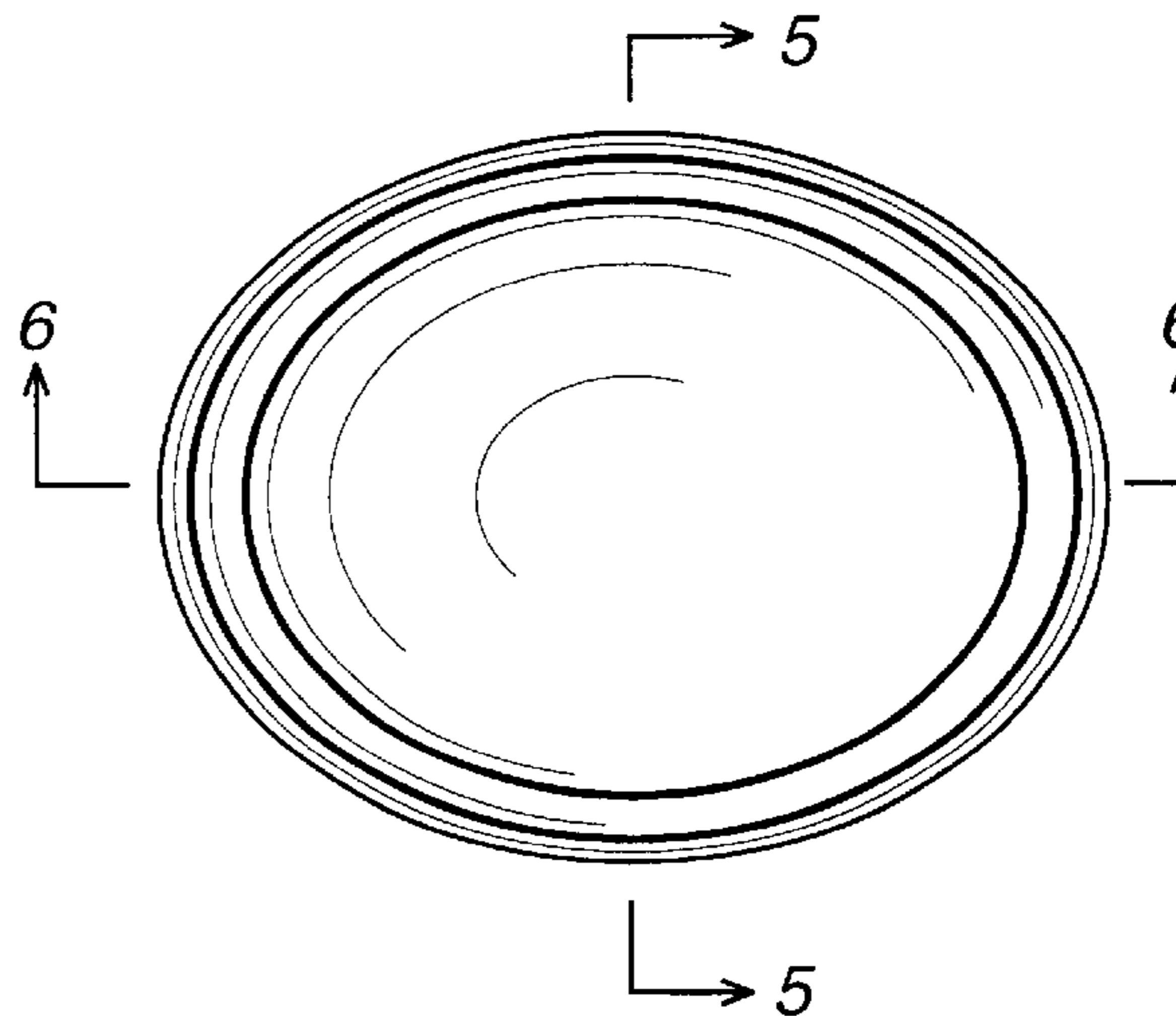
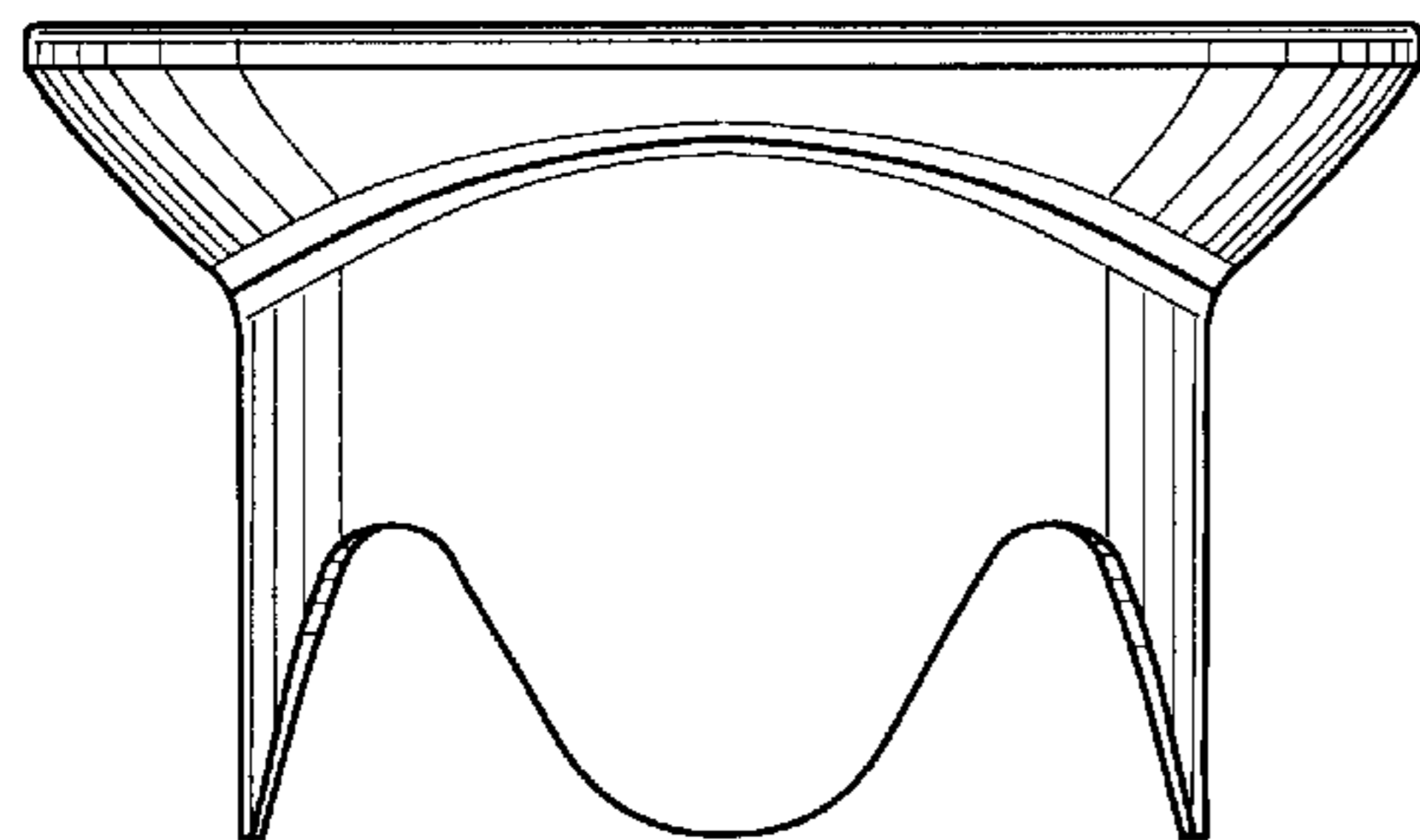


FIG. 1

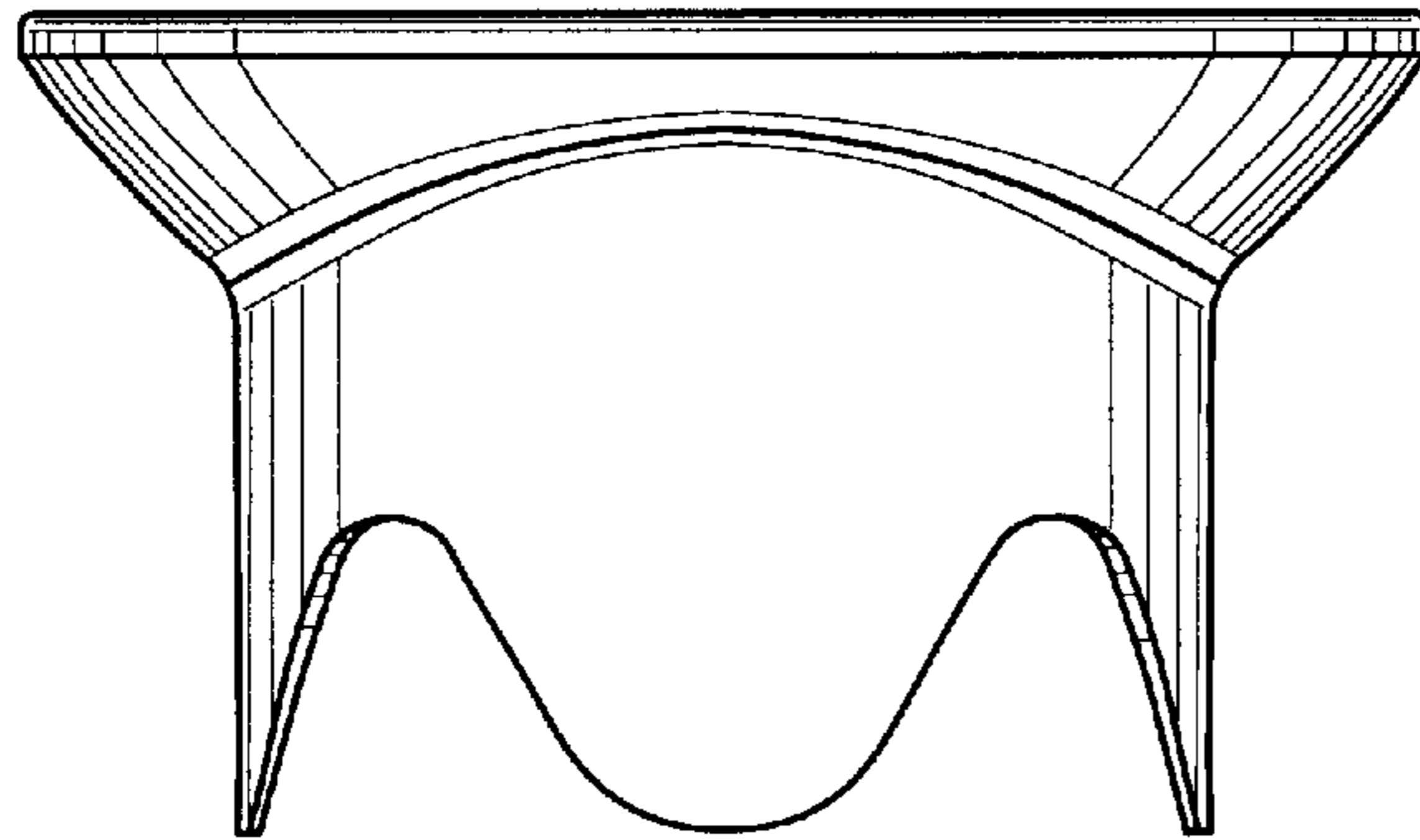


FIG. 2

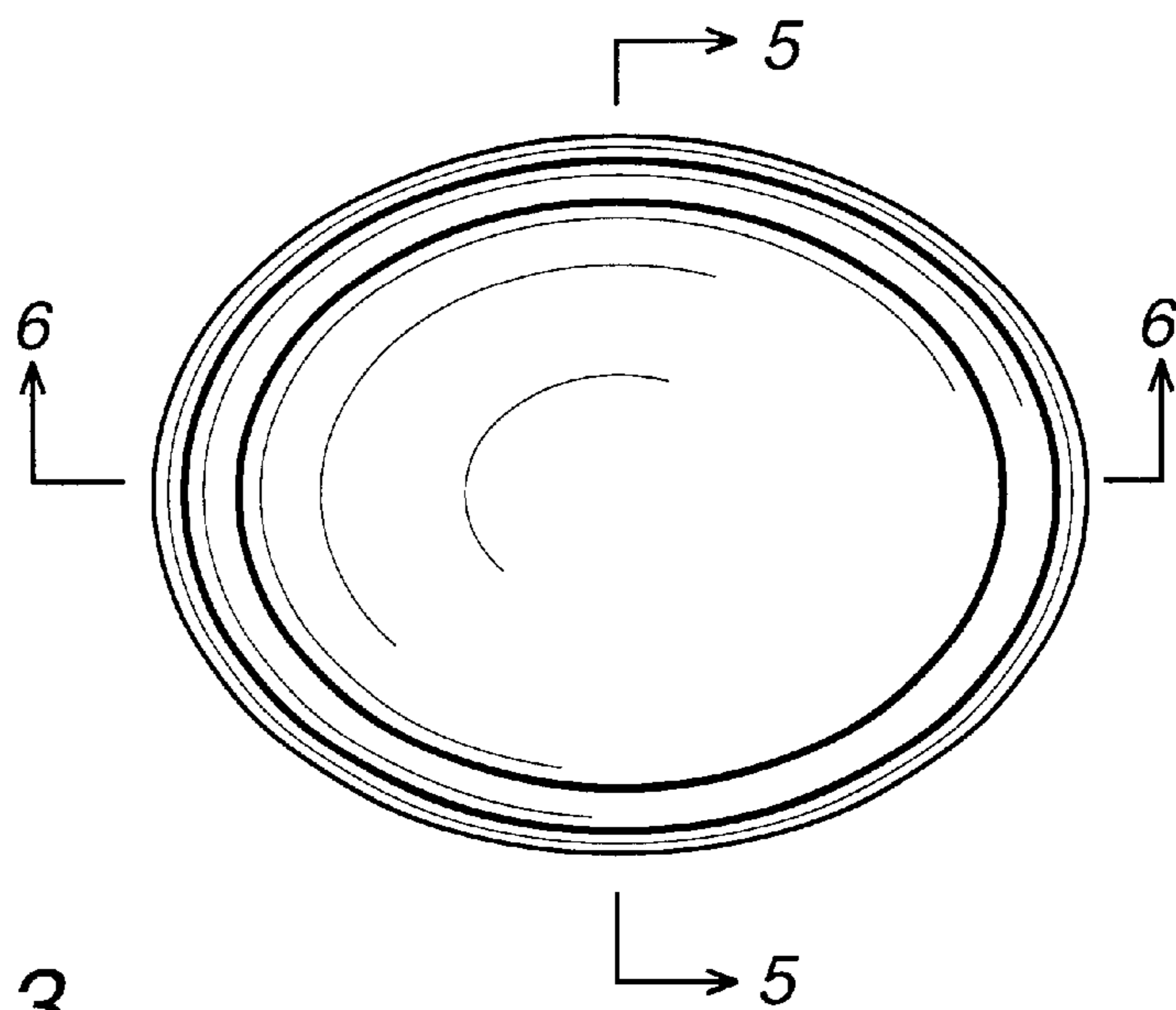


FIG. 3

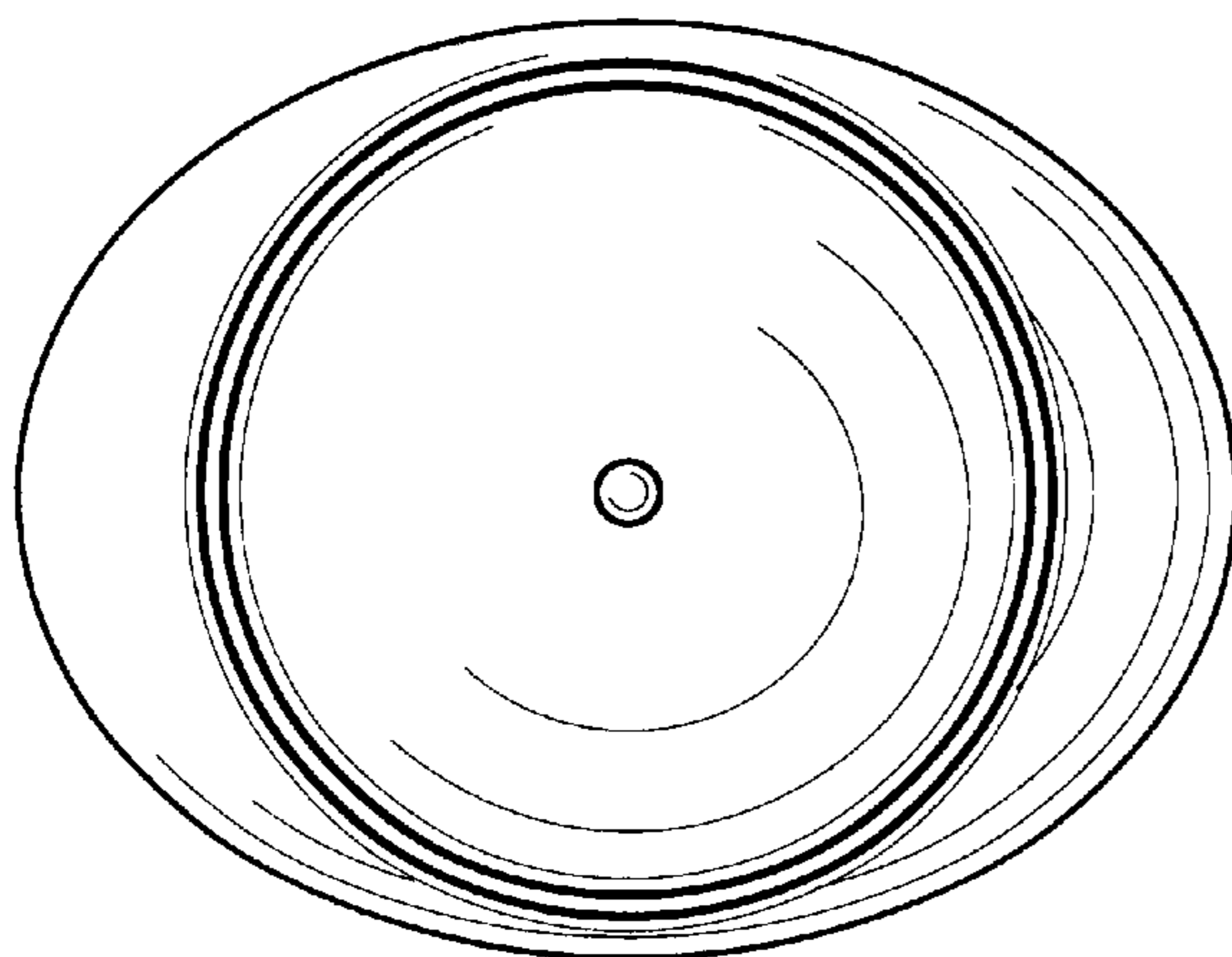


FIG. 4

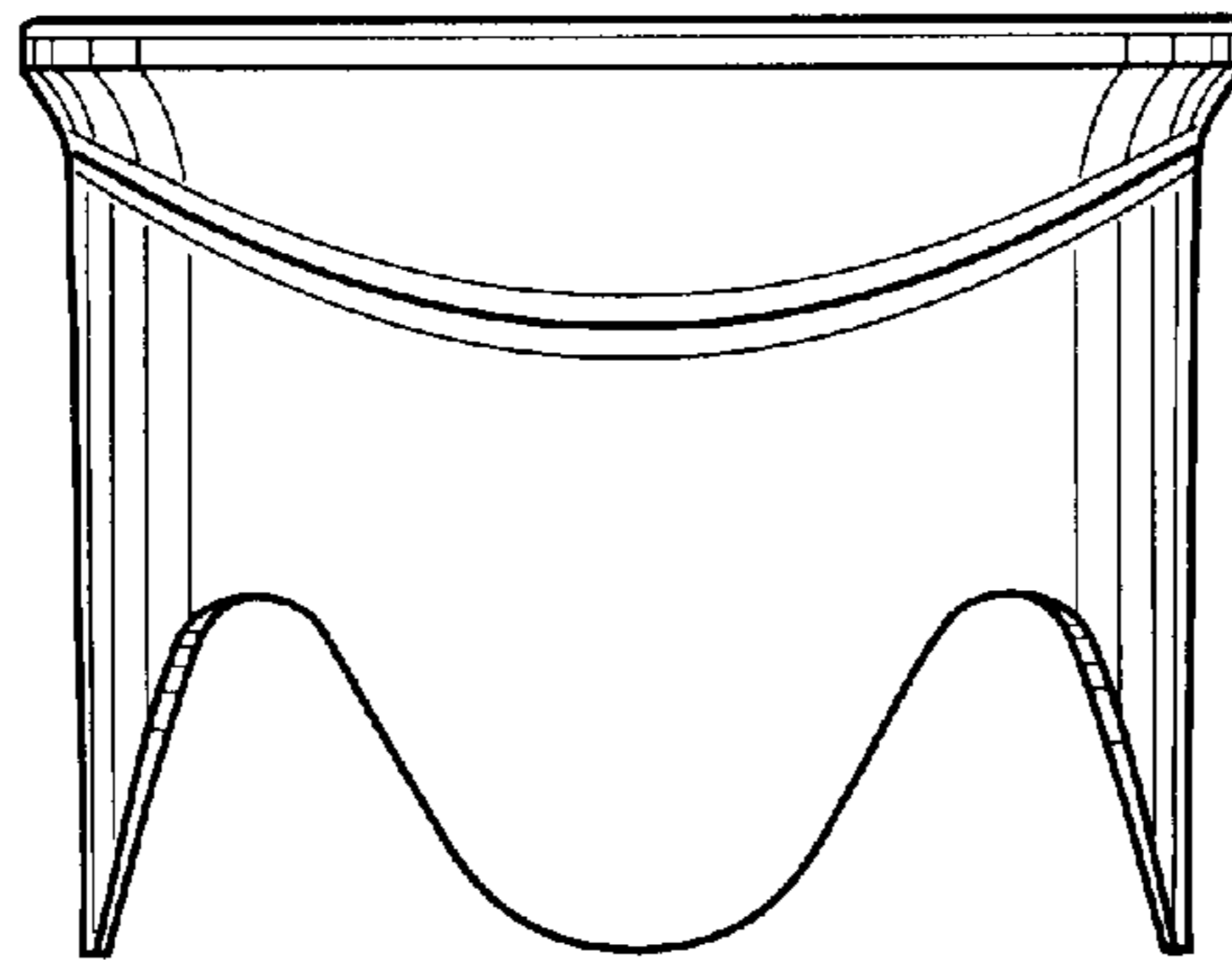


FIG. 5

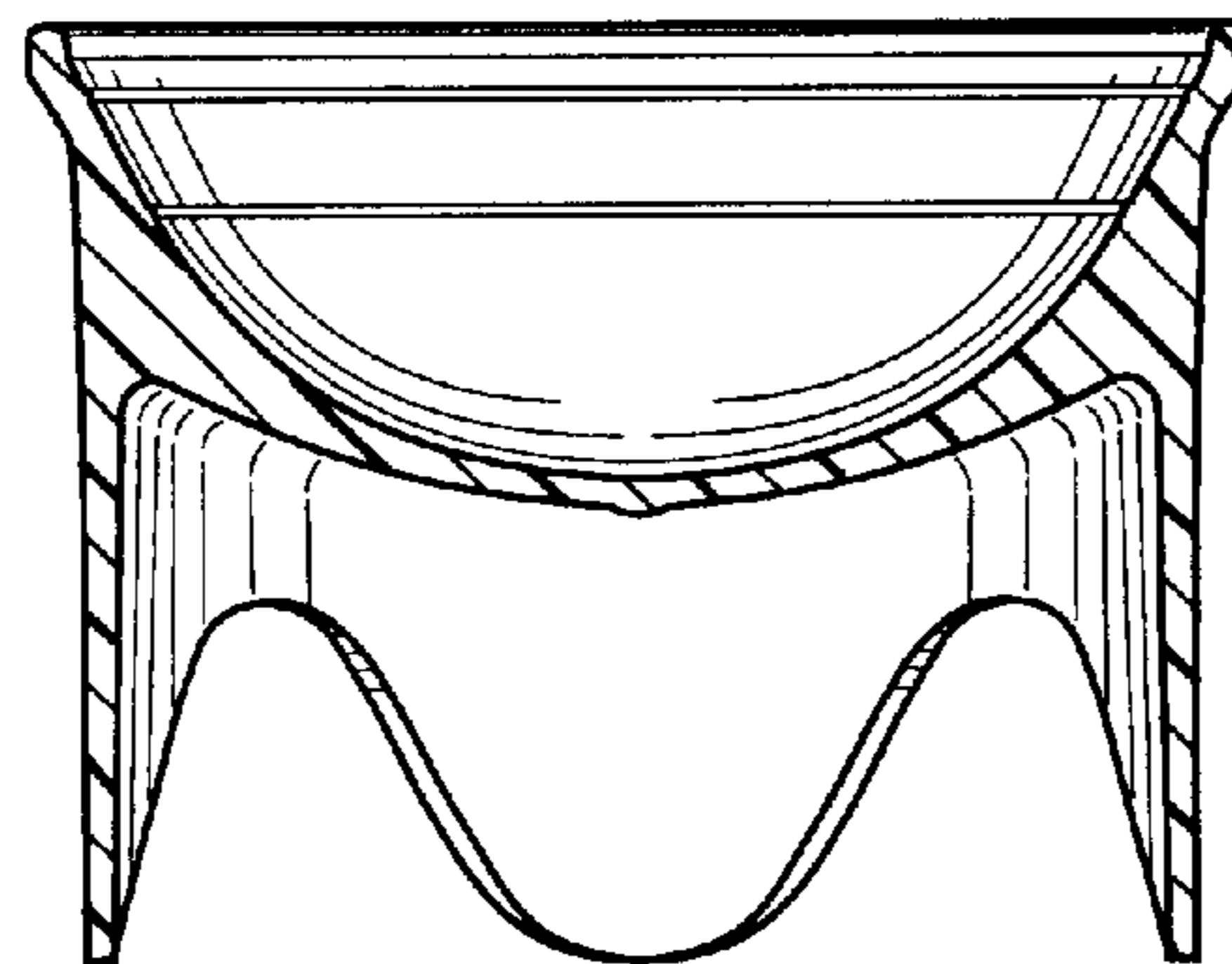


FIG. 6

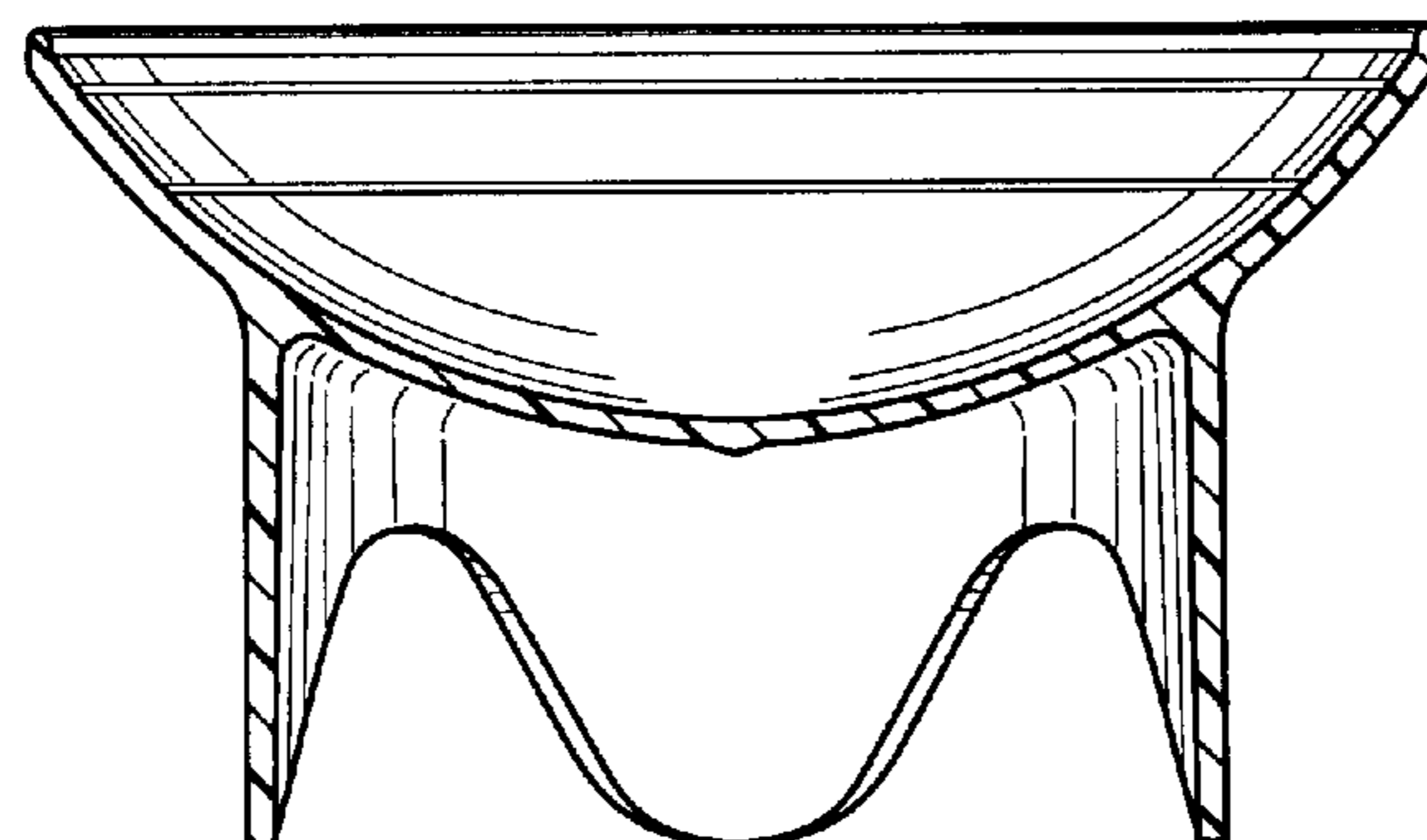


FIG. 7

