



US00D513376S

(12) **United States Design Patent**
Shannon

(10) **Patent No.:** **US D513,376 S**
(45) **Date of Patent:** **** Jan. 3, 2006**

(54) **FOOD CONTAINER**

(76) **Inventor:** **Daniel P. Shannon**, 962 Northview Rd., Green Bay, WI (US) 54311

(**) **Term:** **14 Years**

(21) **Appl. No.:** **29/212,880**

(22) **Filed:** **Sep. 8, 2004**

(51) **LOC (8) Cl.** **07-01**

(52) **U.S. Cl.** **D7/629**

(58) **Field of Classification Search** D7/601, D7/602, 629, 538-542; D9/424-432; 206/503, 206/507, 508, 557, 566, 567; 220/780-806, 220/656-659, 669-675, 4.21, 4.23, 4.25, 220/266; 229/400, 406, 902-906, 938
See application file for complete search history.

(56) **References Cited**

U.S. PATENT DOCUMENTS

4,749,097	A	*	6/1988	Rosman	220/4.21
4,787,527	A	*	11/1988	Monetti	220/801
4,915,251	A		4/1990	Payne		
5,273,801	A		12/1993	Barry et al.		
5,377,860	A	*	1/1995	Littlejohn et al.	220/790
5,423,453	A	*	6/1995	Fritz	220/675
5,730,311	A	*	3/1998	Curtis	206/508
5,897,011	A		4/1999	Brilliant et al.		
D416,794	S	*	11/1999	Cormack	D9/425

6,168,044	B1		1/2001	Zettle et al.		
D448,662	S	*	10/2001	Collins et al.	D9/425
6,609,633	B1		8/2003	Dyble et al.		
6,685,049	B1		2/2004	Paladino		
6,733,852	B2		5/2004	Littlejohn et al.		
D495,597	S	*	9/2004	Rubalcava et al.	D9/425

* cited by examiner

Primary Examiner—Terry A. Wallace

(74) *Attorney, Agent, or Firm*—Brinks Hofer Gilson & Lione

(57) **CLAIM**

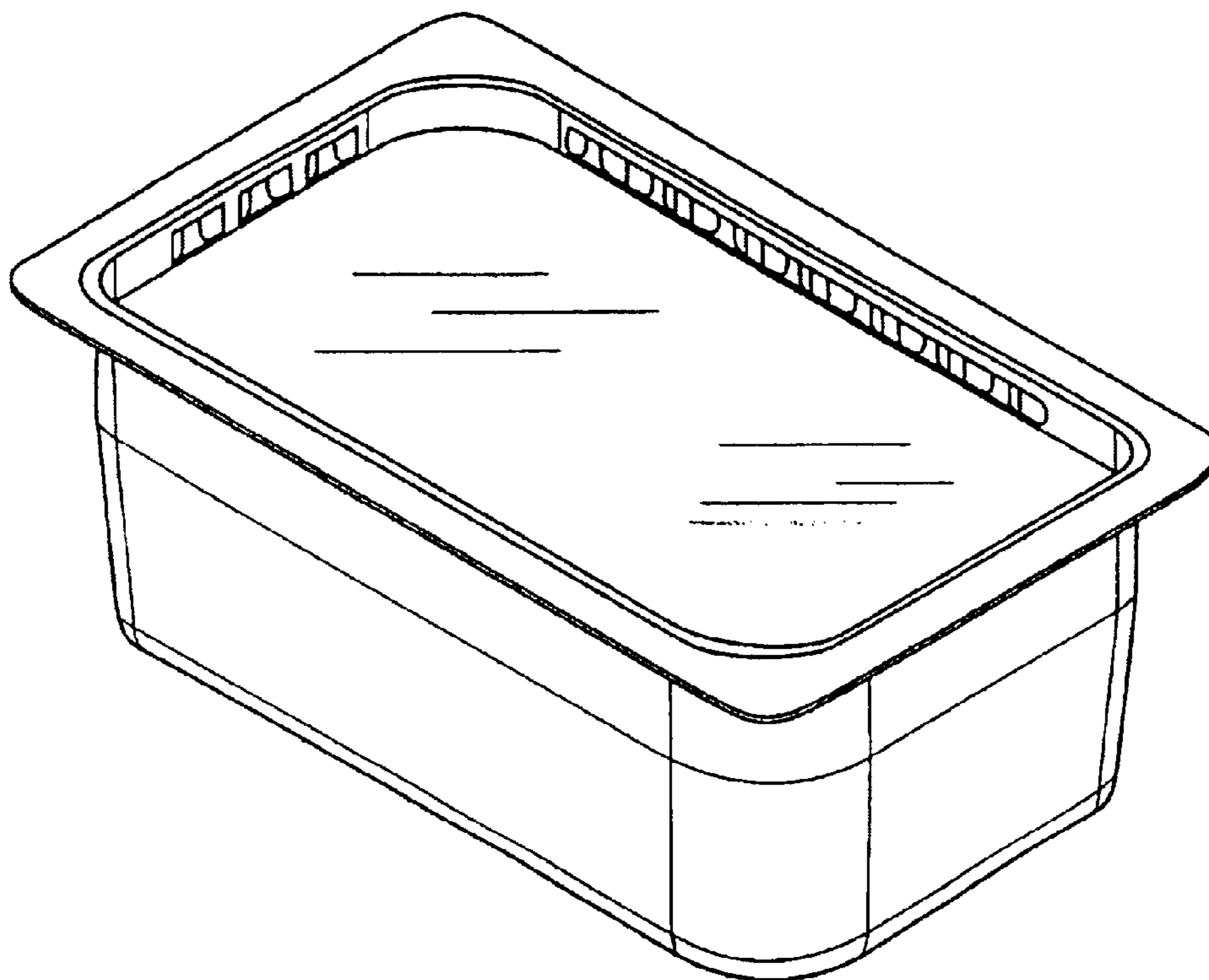
I claim the ornamental design for a food container, as shown and described.

DESCRIPTION

FIG. 1 is a top perspective view of a food container in accordance with the present invention; FIG. 2 is a bottom perspective view thereof; FIG. 3 is a top view thereof; FIG. 4 is a bottom view thereof; FIG. 5 is left view thereof; FIG. 6 is right view thereof; FIG. 7 is a front view thereof; and, FIG. 8 is a back view thereof.

The ornamental design which is claimed is shown in solid lines in the drawings.

1 Claim, 4 Drawing Sheets



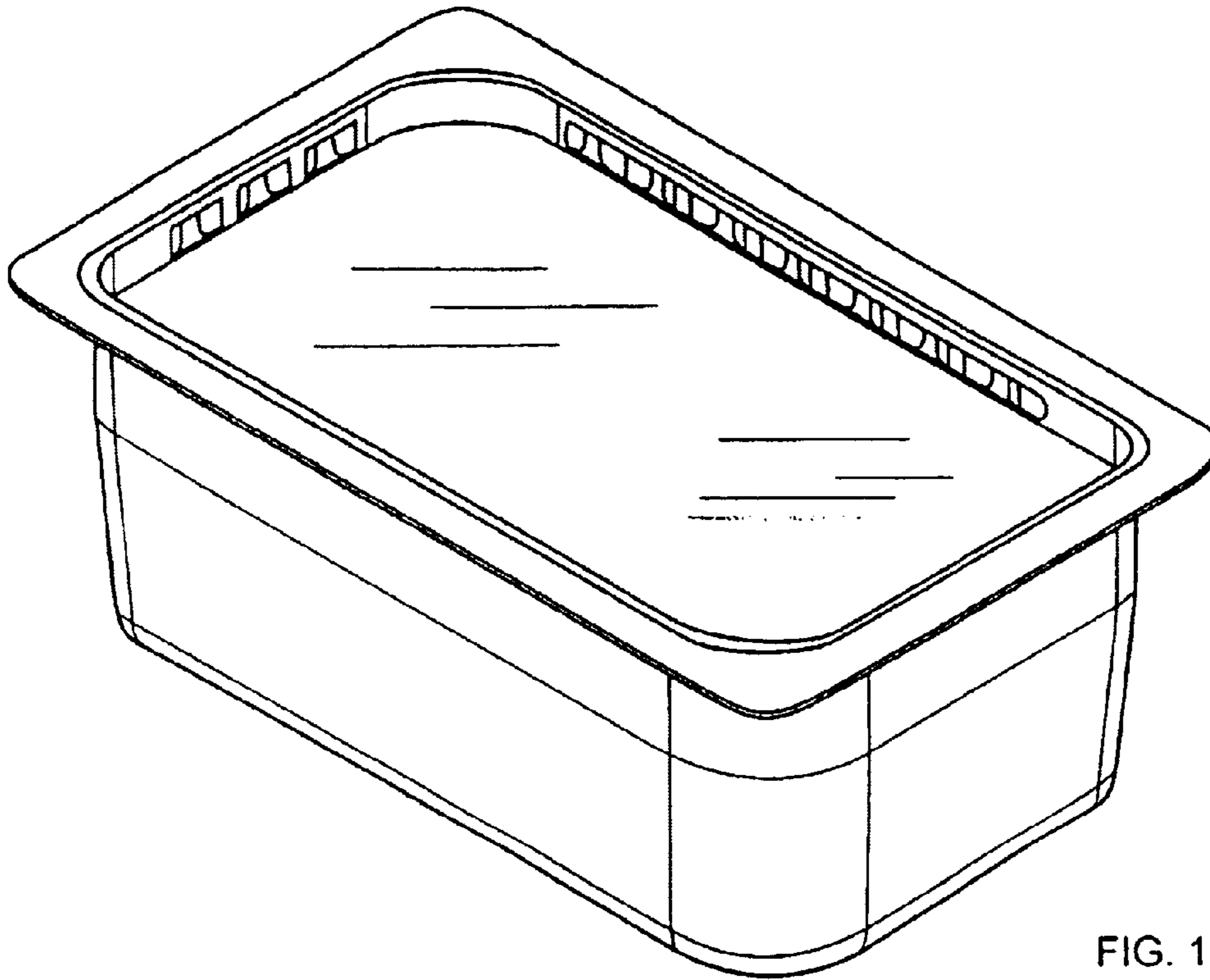


FIG. 1

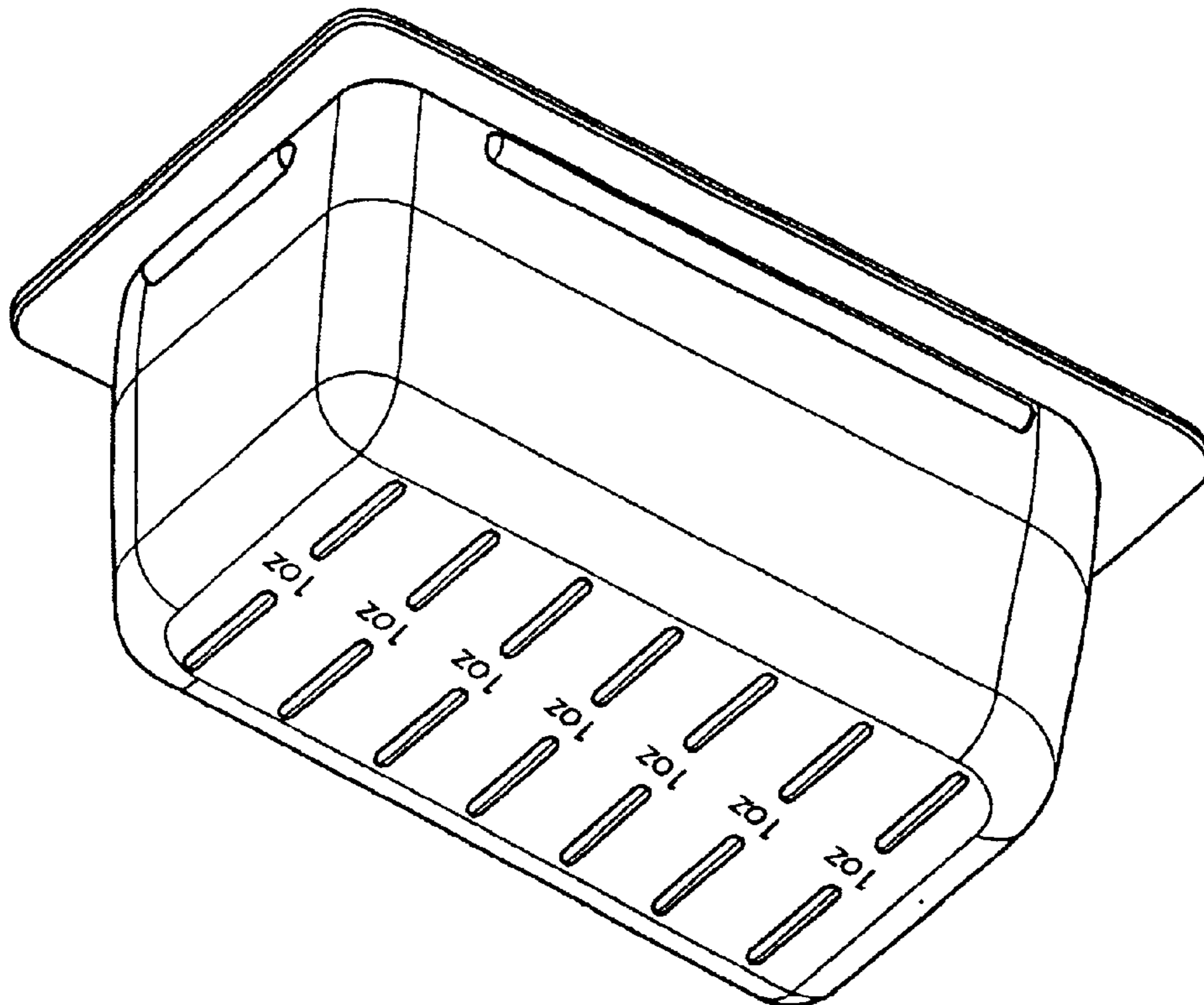


FIG. 2

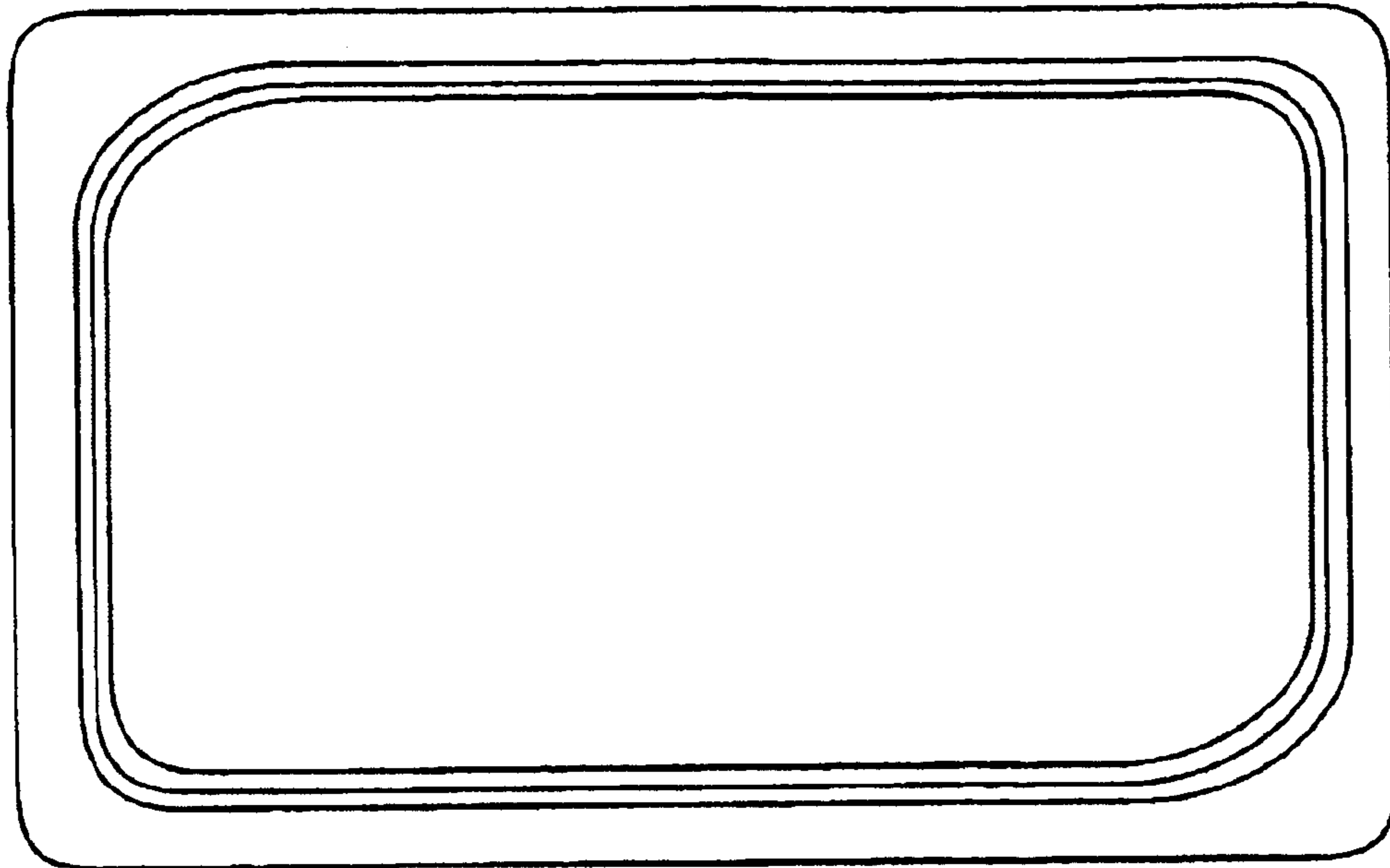


FIG. 3

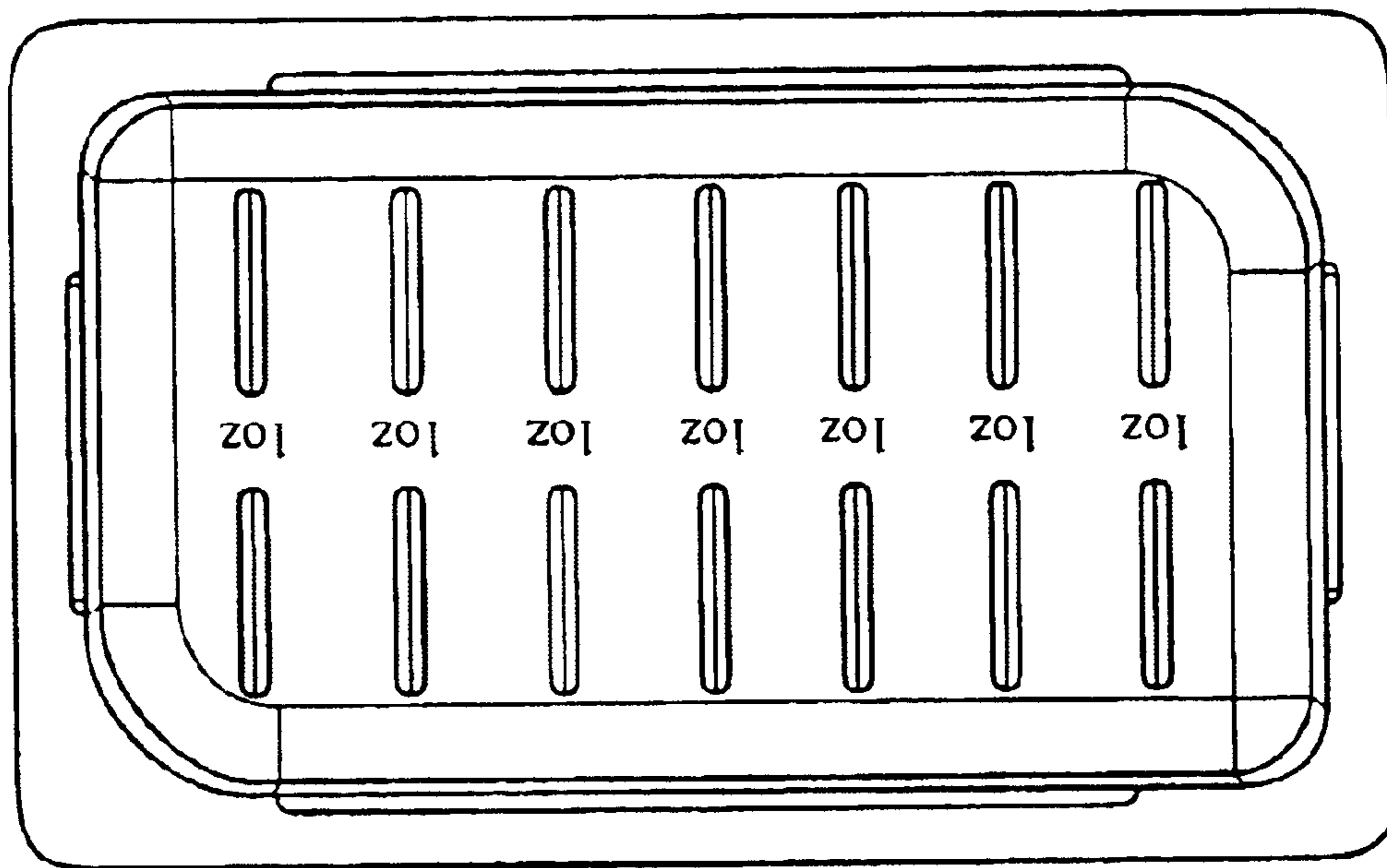


FIG. 4

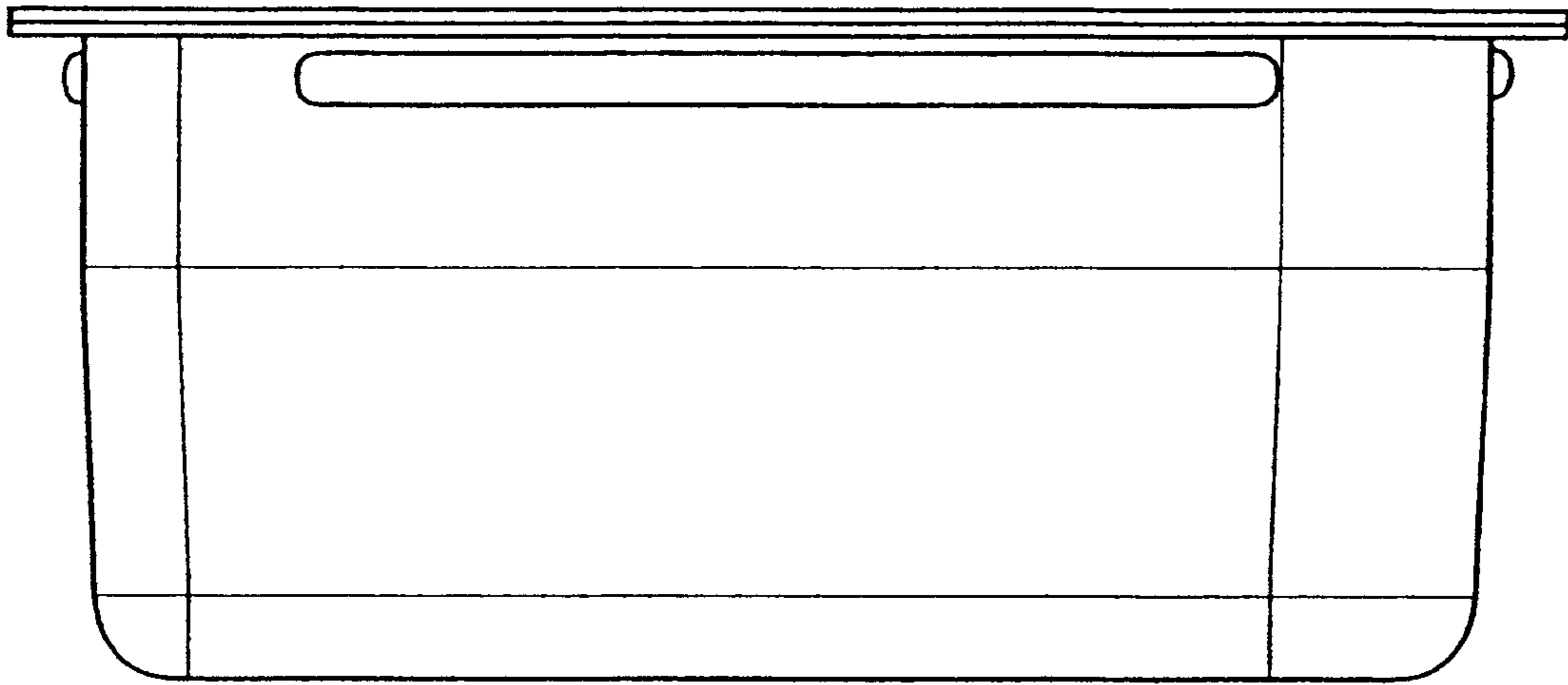


FIG. 5

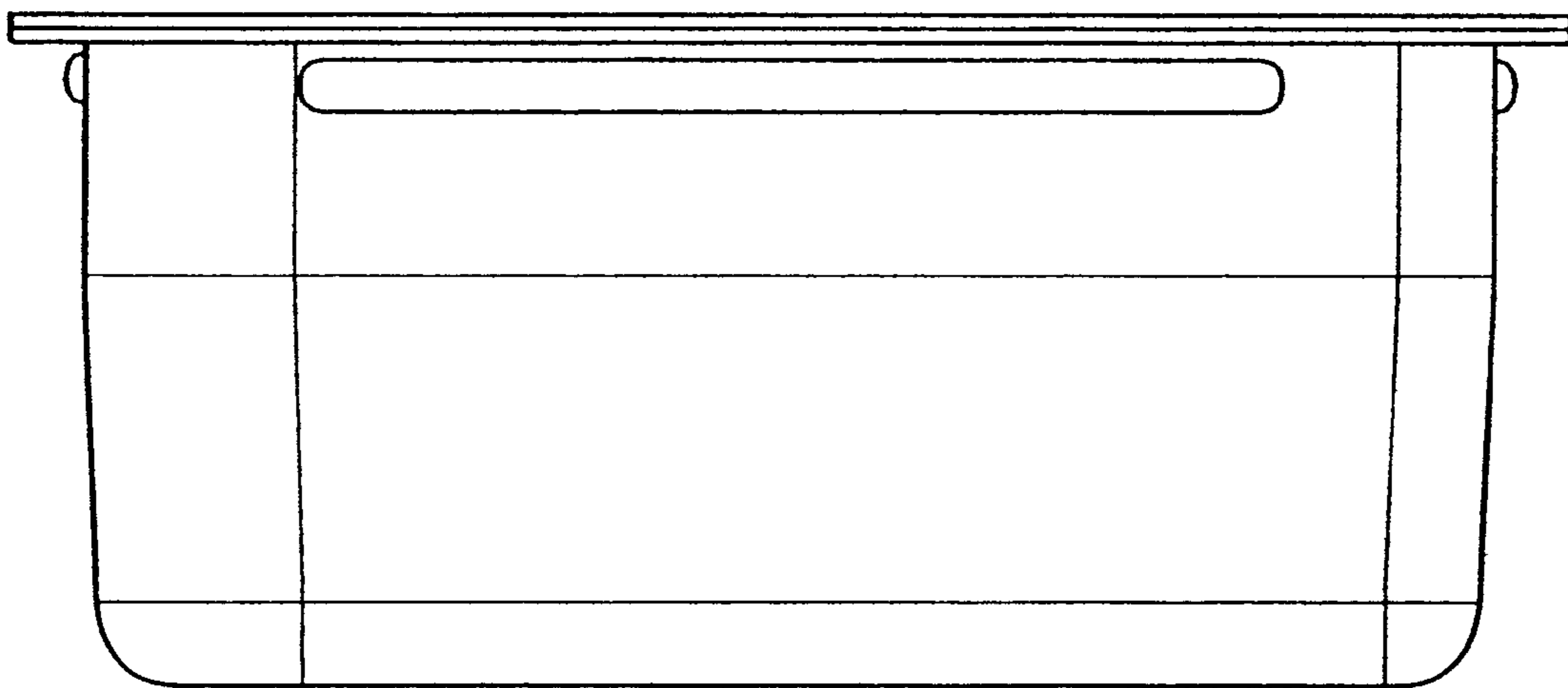


FIG. 6

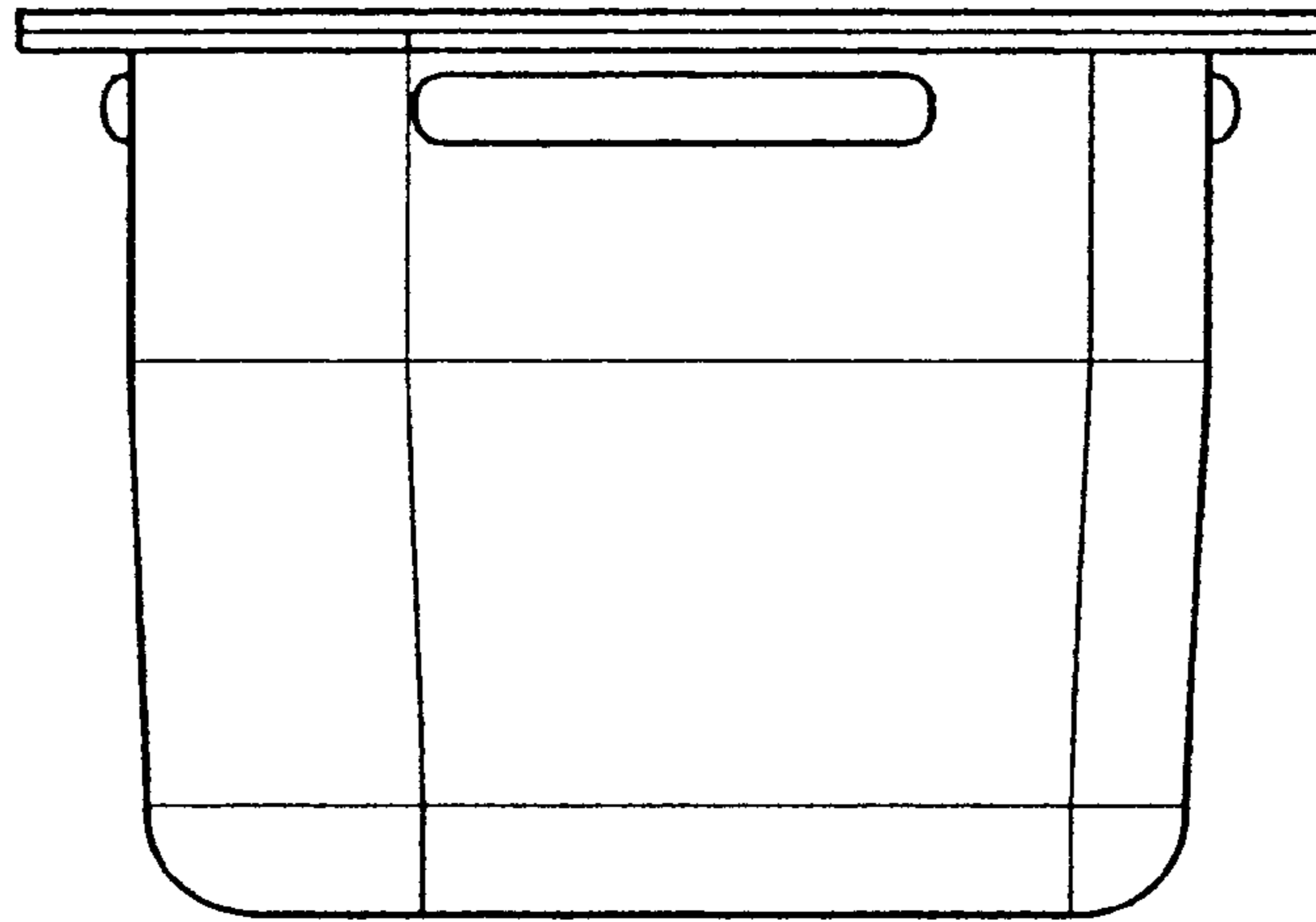


FIG. 7

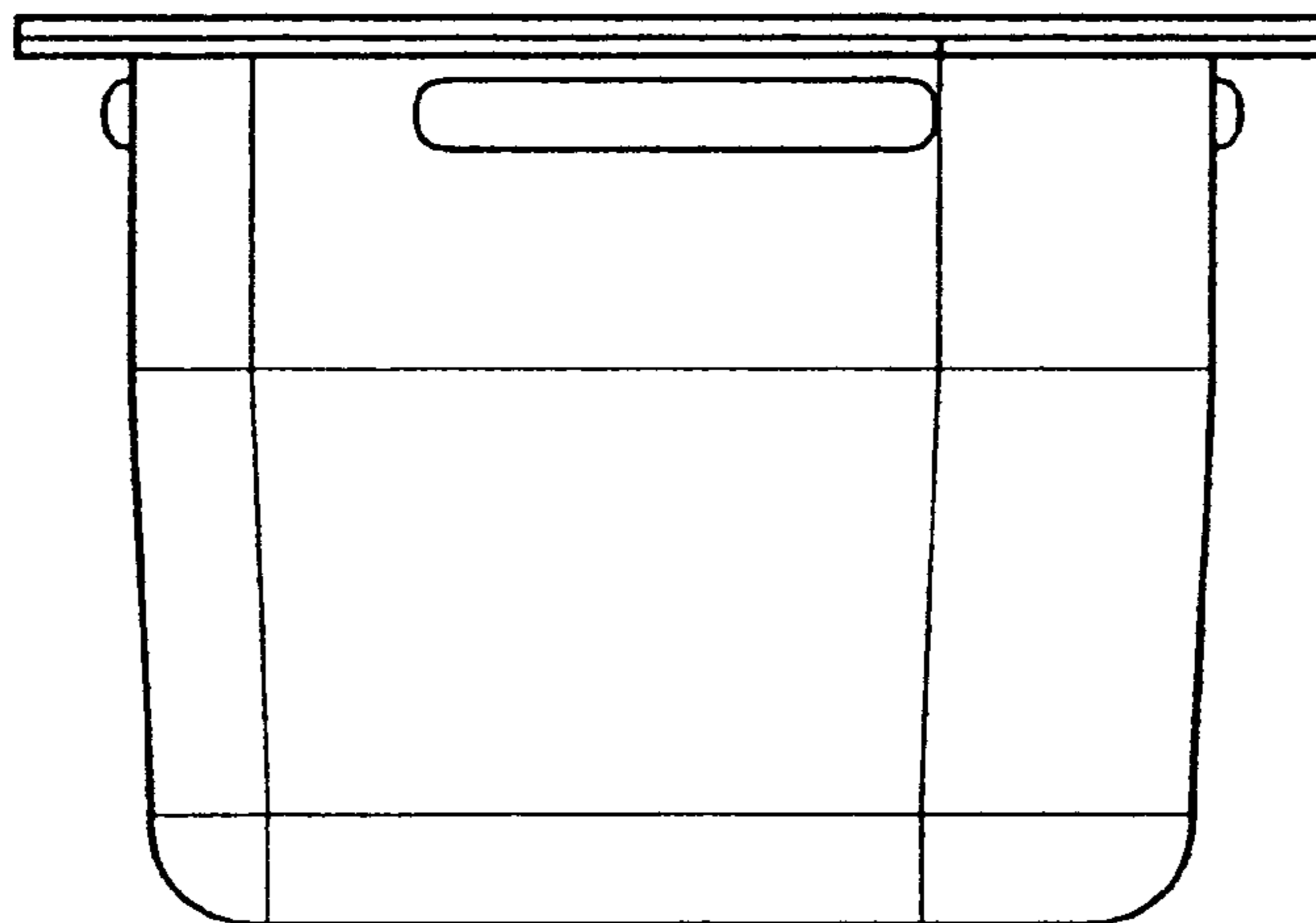


FIG. 8