



US00D513374S

(12) **United States Design Patent**
Nieves

(10) **Patent No.:** **US D513,374 S**
(45) **Date of Patent:** **** Jan. 3, 2006**

- (54) **COMPACT DISC FAN WALLET**
- (75) Inventor: **Julian Nieves**, New York, NY (US)
- (73) Assignee: **Motion Systems, LLC**, New York, NY (US)
- (**) Term: **14 Years**
- (21) Appl. No.: **29/224,398**
- (22) Filed: **Mar. 1, 2005**
- (51) **LOC (8) Cl.** **06-04**
- (52) **U.S. Cl.** **D6/629; D6/407; D6/630; D6/634; D6/635**
- (58) **Field of Classification Search** D3/218, D3/270; D6/407, 626-635; 206/18, 307.1, 206/308.1, 308.2, 308.3, 309, 310, 311, 312, 206/313, 445, 749; 312/9.1, 902, 9.9, 9.48, 312/9.55, 9.64, 9.47, 9.53, 328
See application file for complete search history.

- 2002/0180317 A1 * 12/2002 Byrne 312/9.46
- 2004/0188287 A1 * 9/2004 Molnar et al. 206/311
- 2004/0245130 A1 * 12/2004 Chi 206/308.1
- 2005/0040056 A1 * 2/2005 Matsuno 206/307

* cited by examiner

Primary Examiner—Celia A. Murphy
(74) *Attorney, Agent, or Firm*—Ezra Sutton, Esq.

(57) **CLAIM**

The ornamental designs for a compact disc fan wallet, as shown and described.

DESCRIPTION

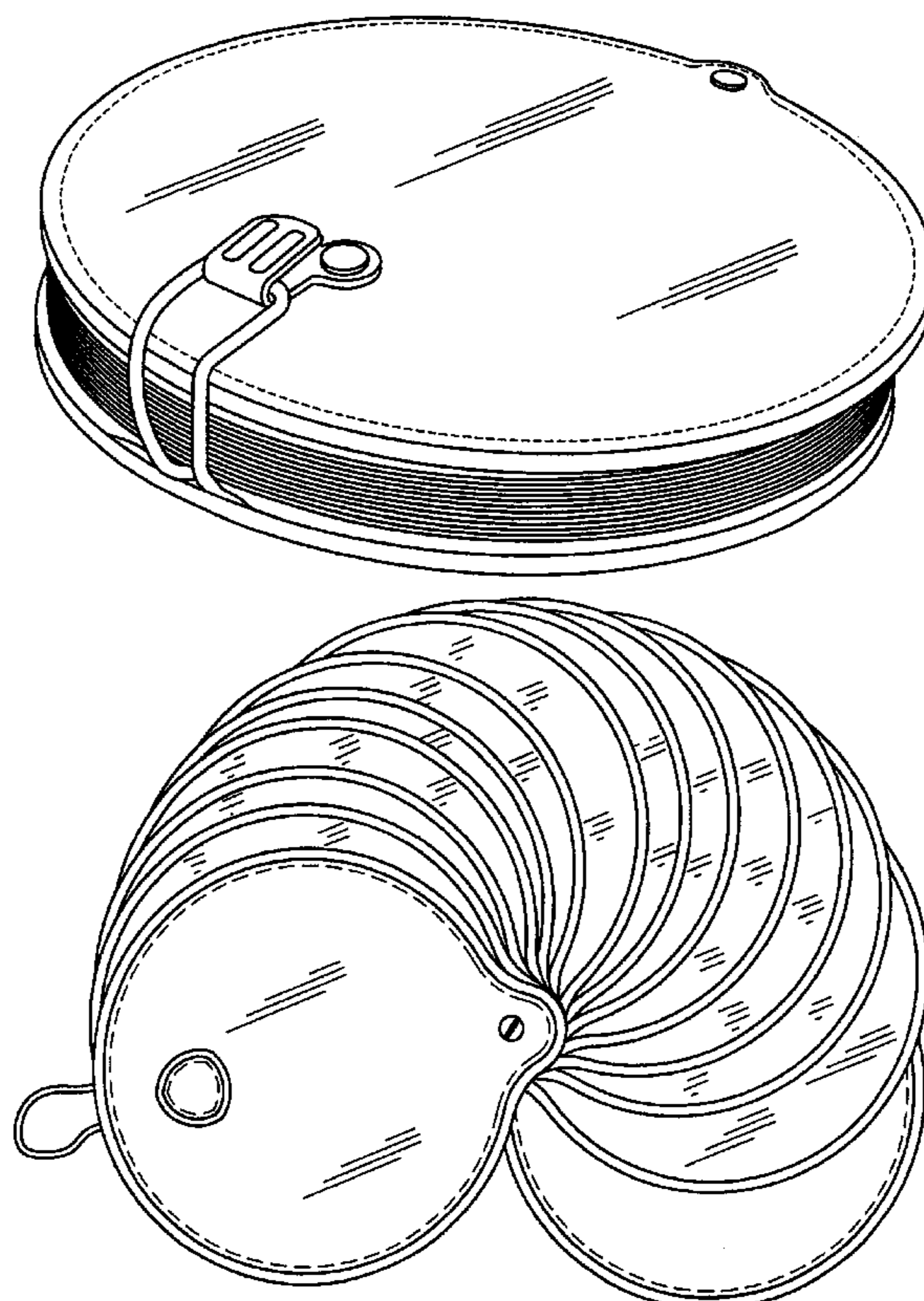
FIG. 1 is a top perspective view of a compact disc fan wallet embodying my new design;
 FIG. 2 is a bottom perspective view of the compact disc fan wallet embodying my new design;
 FIG. 3 is a top plan view thereof;
 FIG. 4 is a bottom plan view thereof;
 FIG. 5 is a front elevational view thereof;
 FIG. 6 is a rear elevational view thereof;
 FIG. 7 is a left side elevational view thereof, and the right side elevational view being a mirror image thereof; and,
 FIG. 8 is a perspective view of the compact disc fan wallet embodying my new design having the wallet in an open configuration.

The broken lines shown throughout the views are understood to represent stitching.

1 Claim, 5 Drawing Sheets

(56) **References Cited**
U.S. PATENT DOCUMENTS

- D186,258 S * 9/1959 Chase D6/630
- D248,892 S * 8/1978 Pflieger D3/246
- 6,050,404 A * 4/2000 Lee 206/308.1
- D455,910 S * 4/2002 Cheris et al. D6/407
- D456,165 S * 4/2002 Cheris et al. D6/407
- D456,200 S * 4/2002 Eskandry D6/631
- D462,165 S * 9/2002 Bello, Jr. D3/218



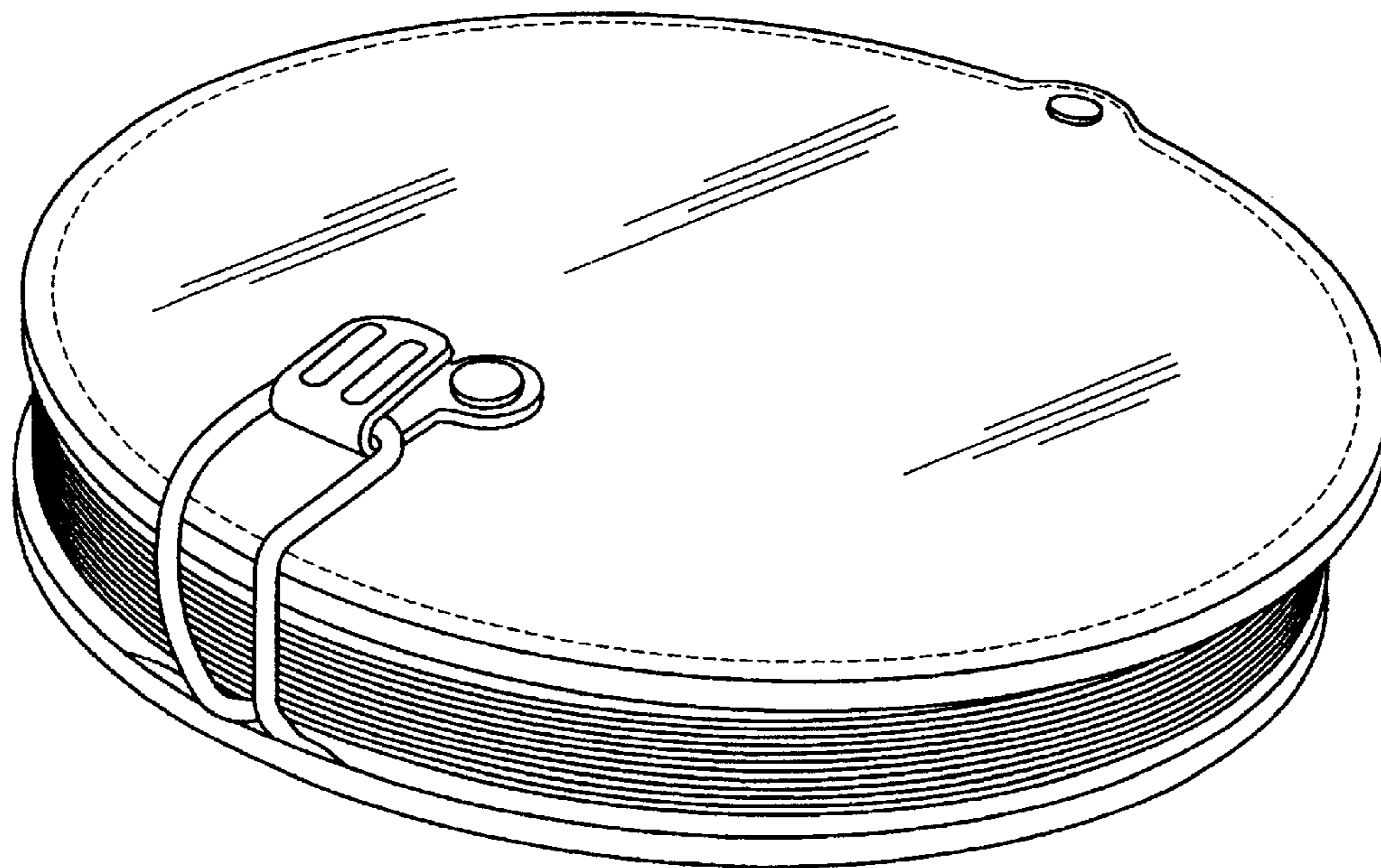


FIG. 1

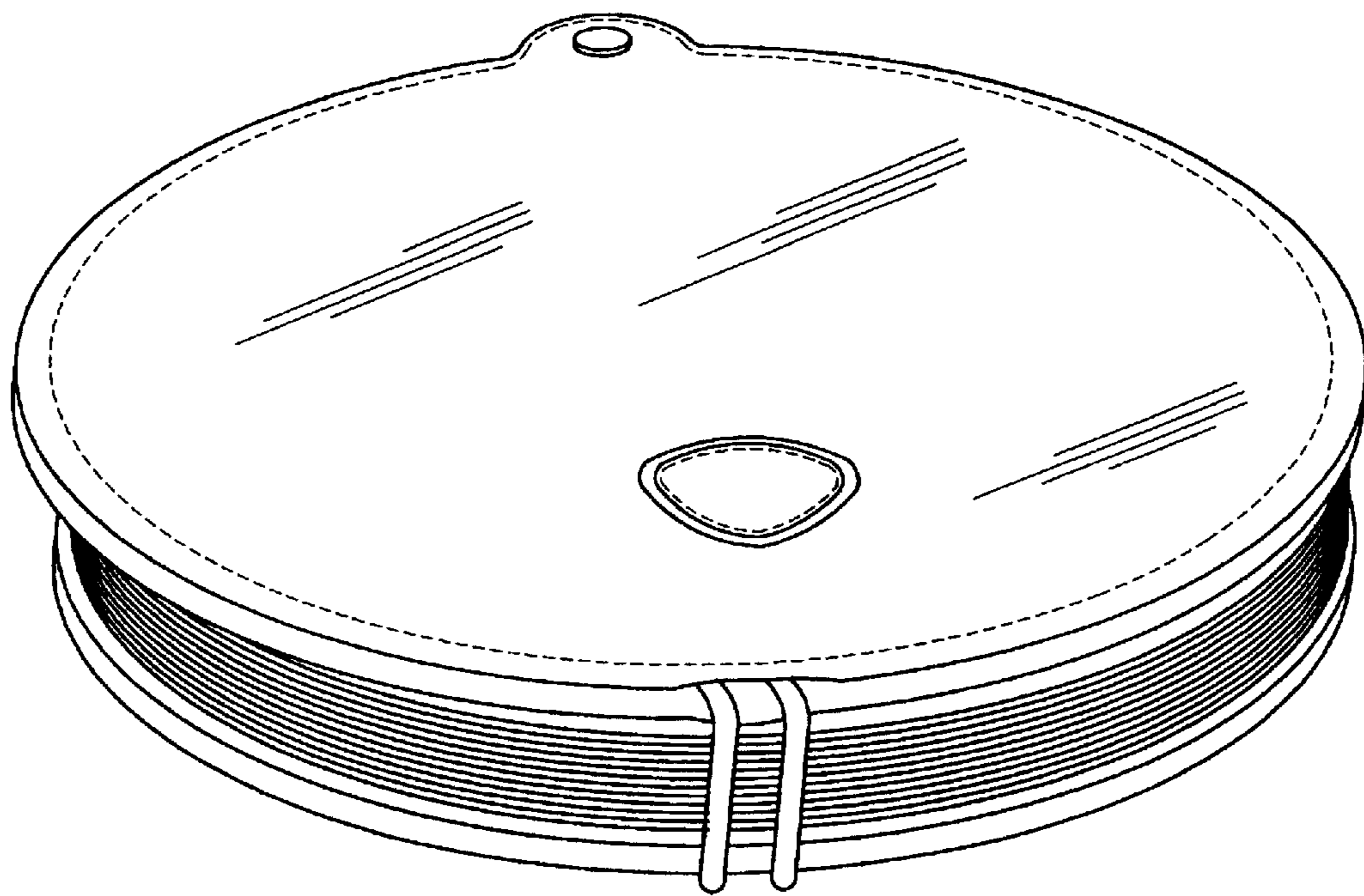


FIG. 2

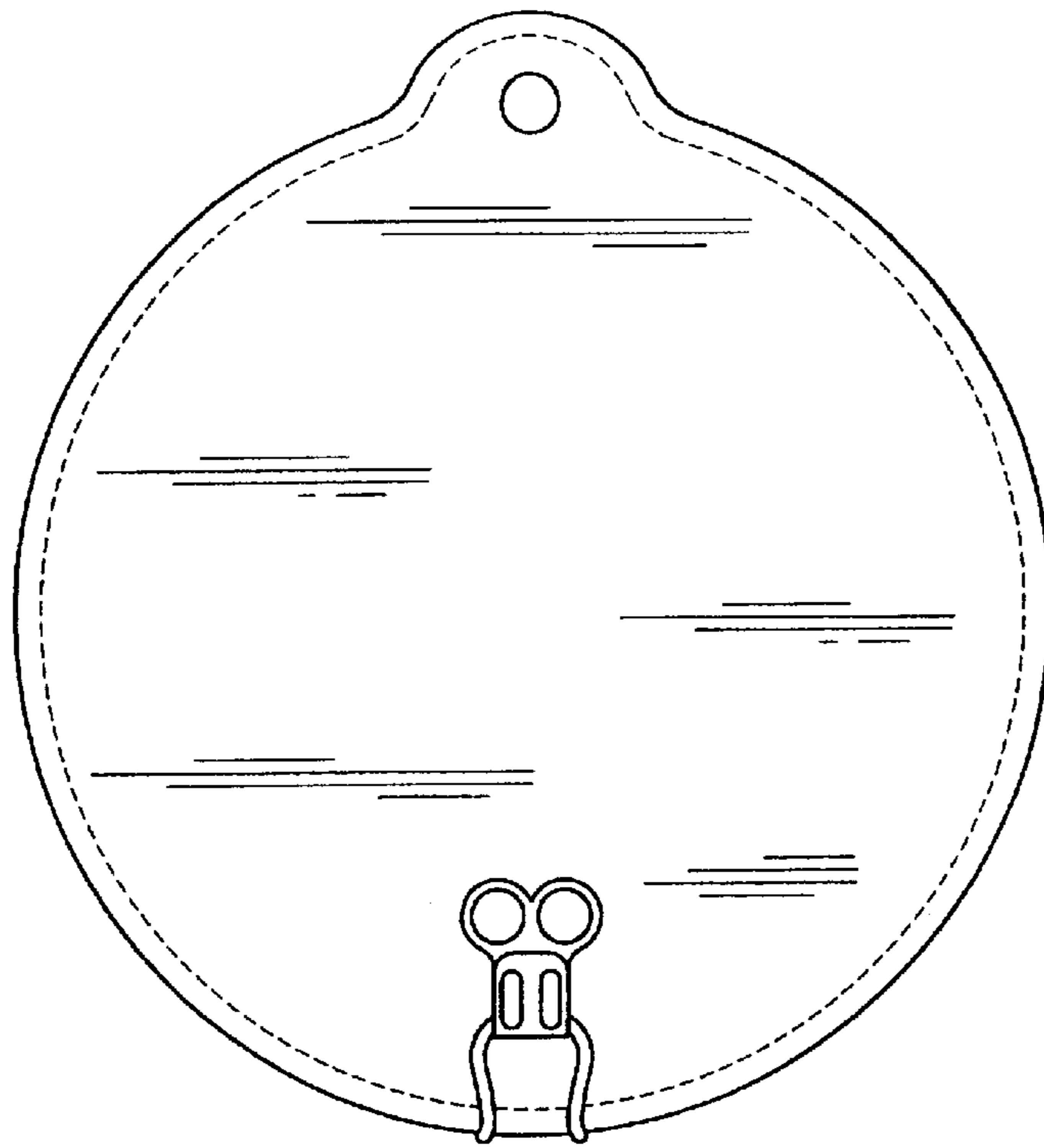


FIG. 3

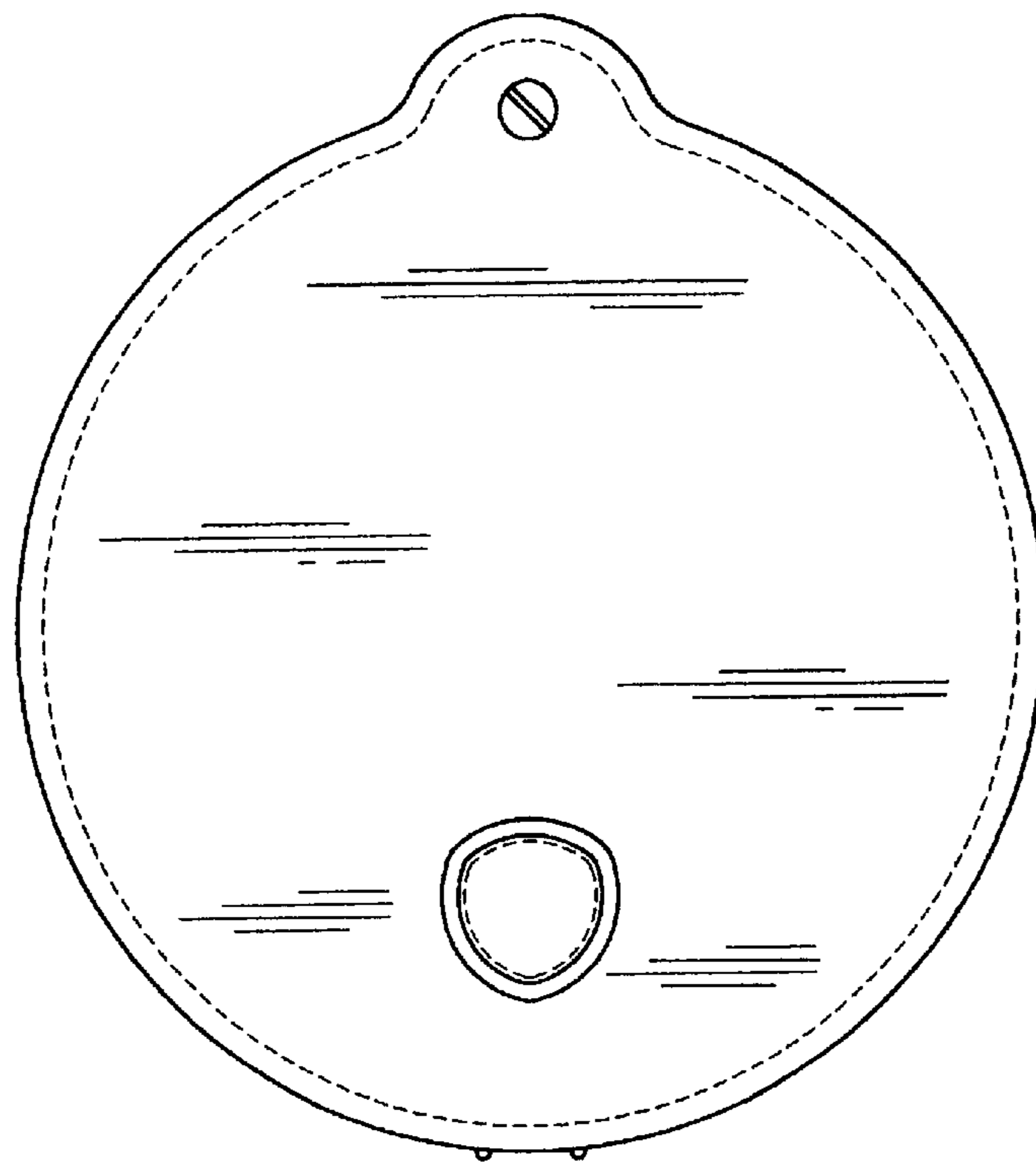


FIG. 4

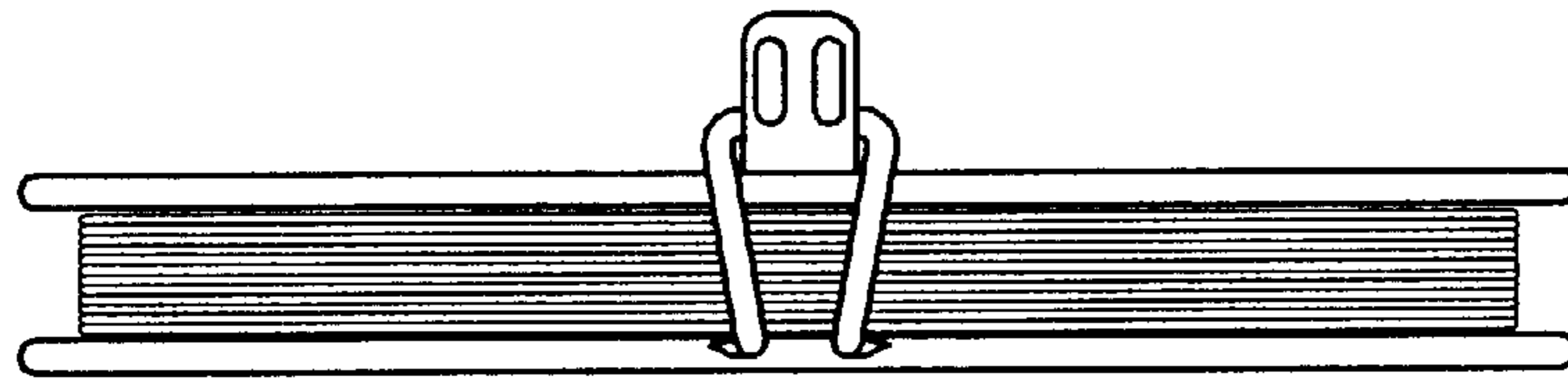


FIG. 5

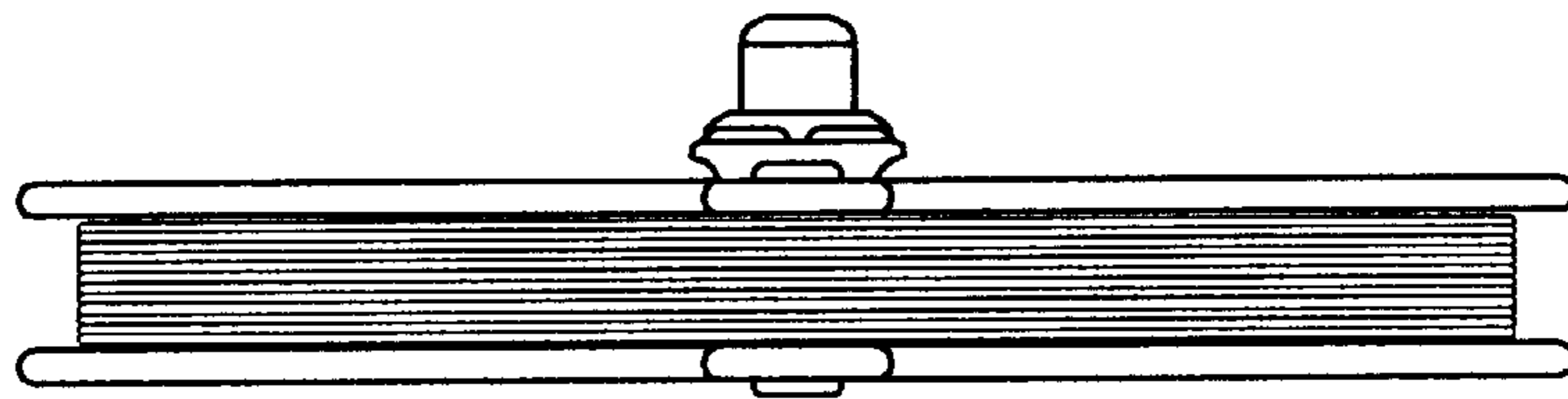


FIG. 6

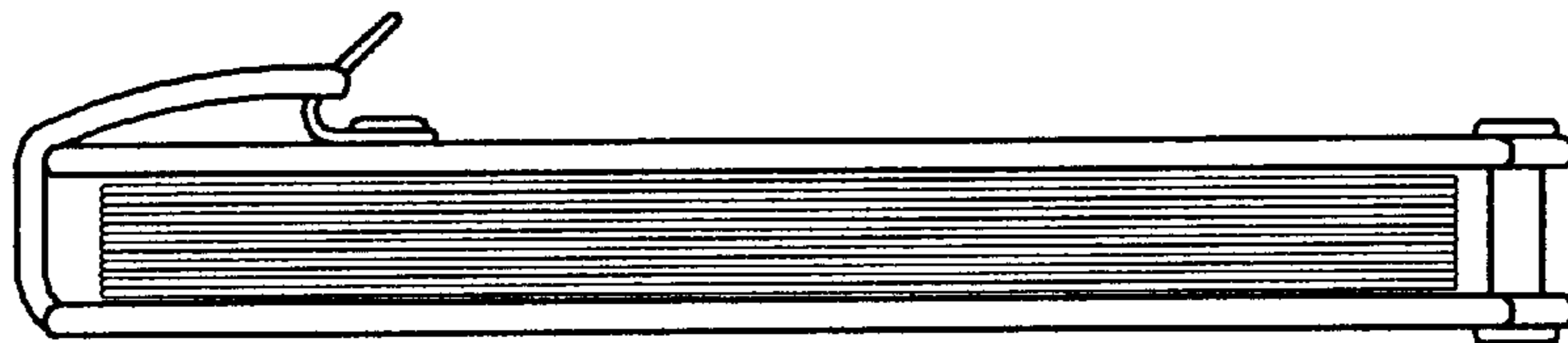


FIG. 7

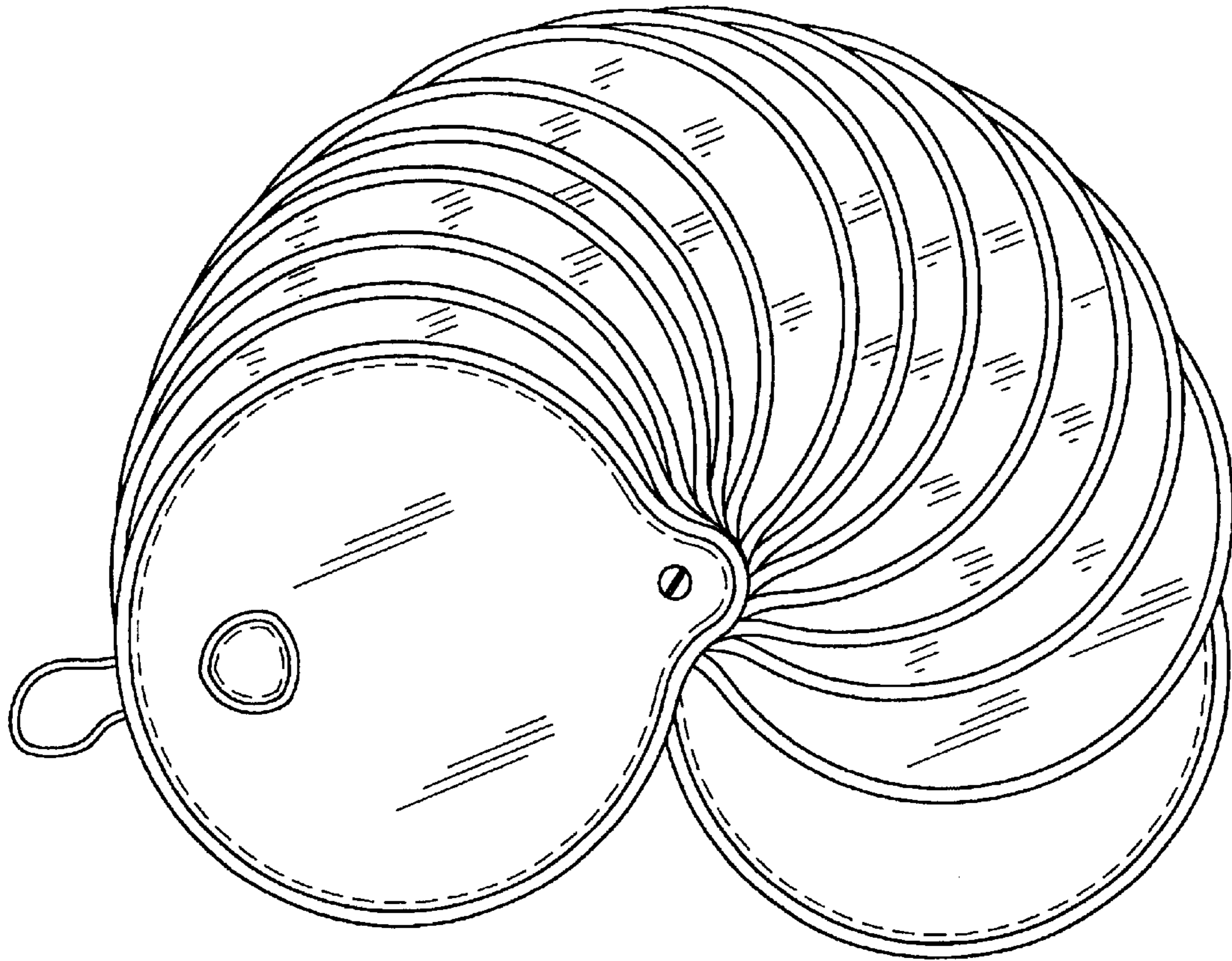


FIG. 8