

US00D513373S

(12) **United States Design Patent**
Harwanko

(10) **Patent No.:** **US D513,373 S**
(45) **Date of Patent:** **** Jan. 3, 2006**

(54) **SHOWER CADDY**

(75) **Inventor:** **Jeffrey Harwanko**, Wilmington, DE
(US)

(73) **Assignee:** **Zenith Products Corp.**, New Castle,
DE (US)

(**) **Term:** **14 Years**

(21) **Appl. No.:** **29/224,581**

(22) **Filed:** **Mar. 3, 2005**

(51) **LOC (8) Cl.** **23-02**

(52) **U.S. Cl.** **D6/525**

(58) **Field of Classification Search** D6/524,
D6/525, 566, 536, 540; 211/13.1, 74, 71.01,
211/86.01, 75, 88.01, 90.01, 90.03, 106, 119,
211/126.1, 133.5, 181.1, 134

See application file for complete search history.

(56) **References Cited**

U.S. PATENT DOCUMENTS

D293,183 S * 12/1987 Aaron D6/525

D473,086 S * 4/2003 Harwanko D6/525
D493,991 S * 8/2004 Dretzka D6/525
D494,793 S * 8/2004 Winkleman D6/525
D496,549 S * 9/2004 Snell D6/525

* cited by examiner

Primary Examiner—Brian N Vinson

(74) *Attorney, Agent, or Firm*—Edgar A. Zarins; Lloyd D.
Doigan

(57) **CLAIM**

The ornamental design for a shower caddy, as shown and
described.

DESCRIPTION

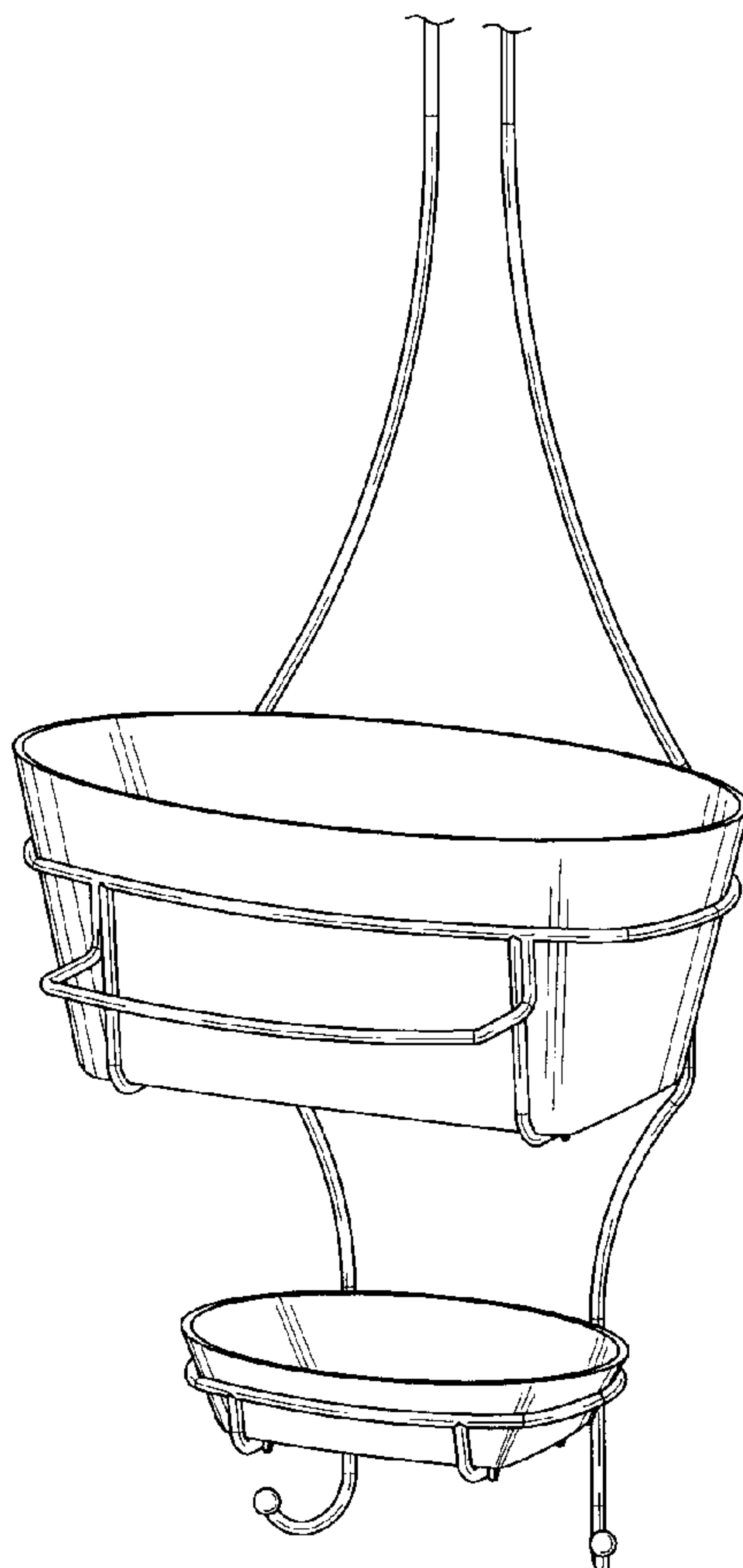
FIG. 1 is a perspective view of a shower caddy showing my
new design;

FIG. 2 is a front elevational view thereof;

FIG. 3 is a left side view thereof, the opposite side being a
mirror image of the side shown; and,

FIG. 4 is a top plan view thereof.

1 Claim, 2 Drawing Sheets



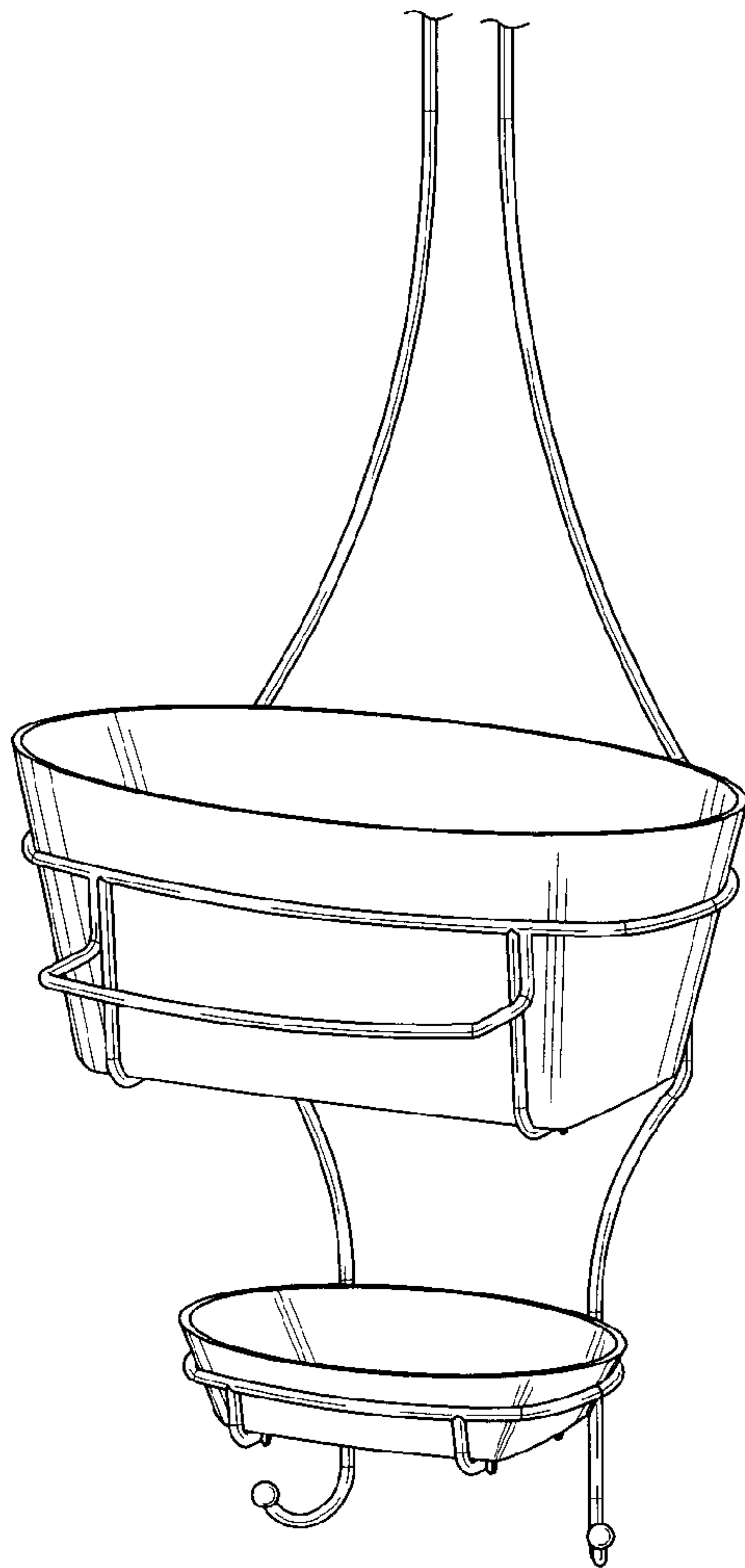


Fig-1

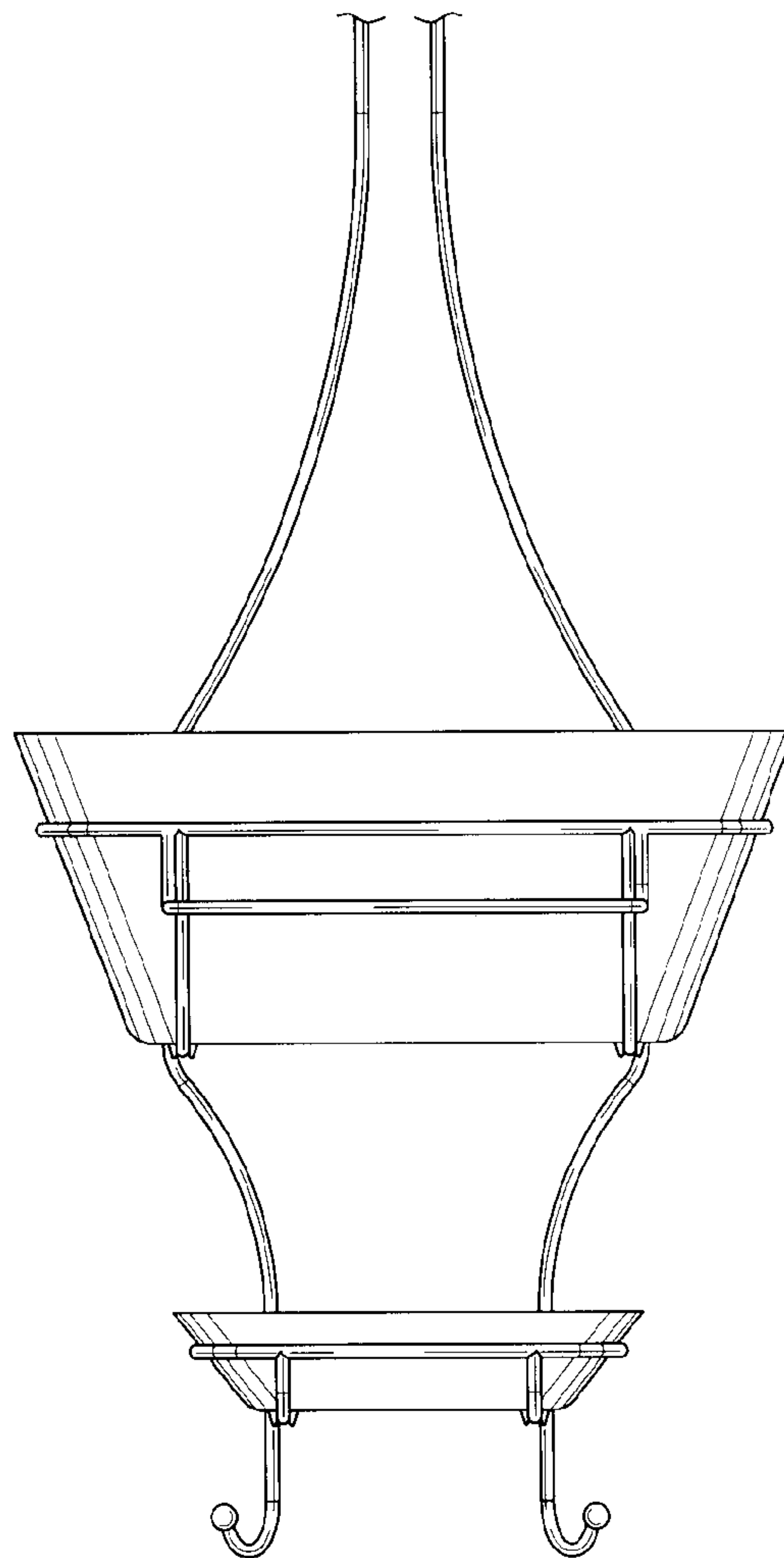


Fig-2

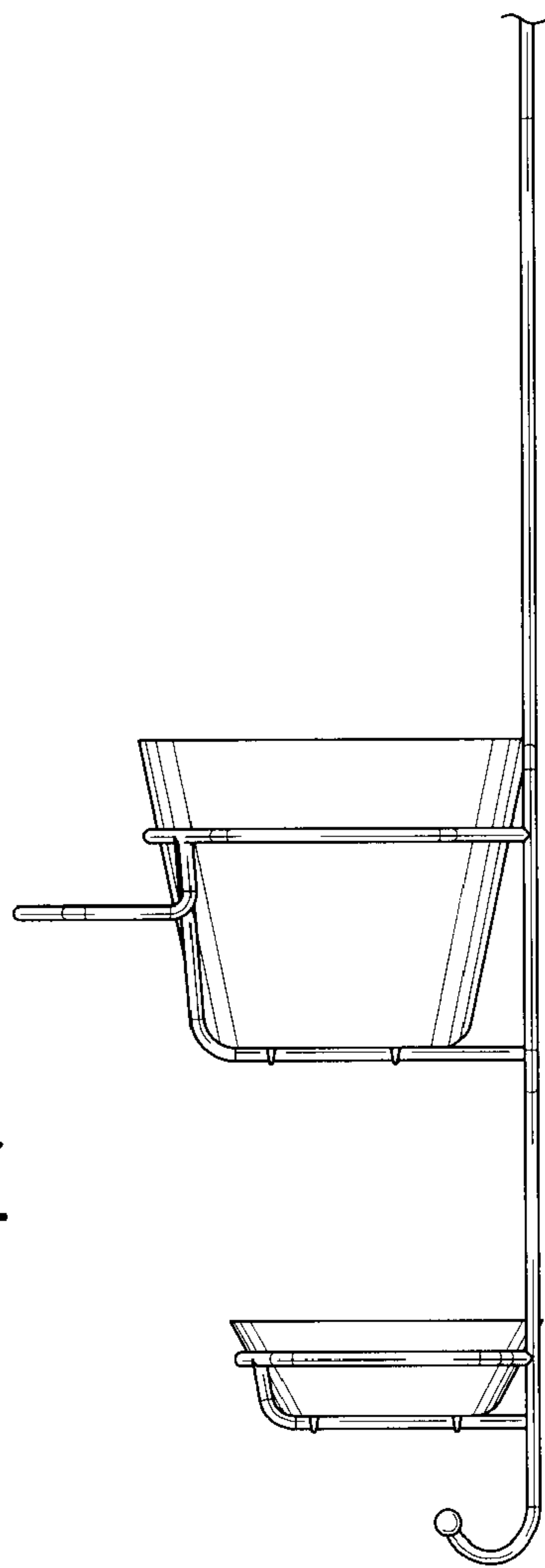


Fig-3

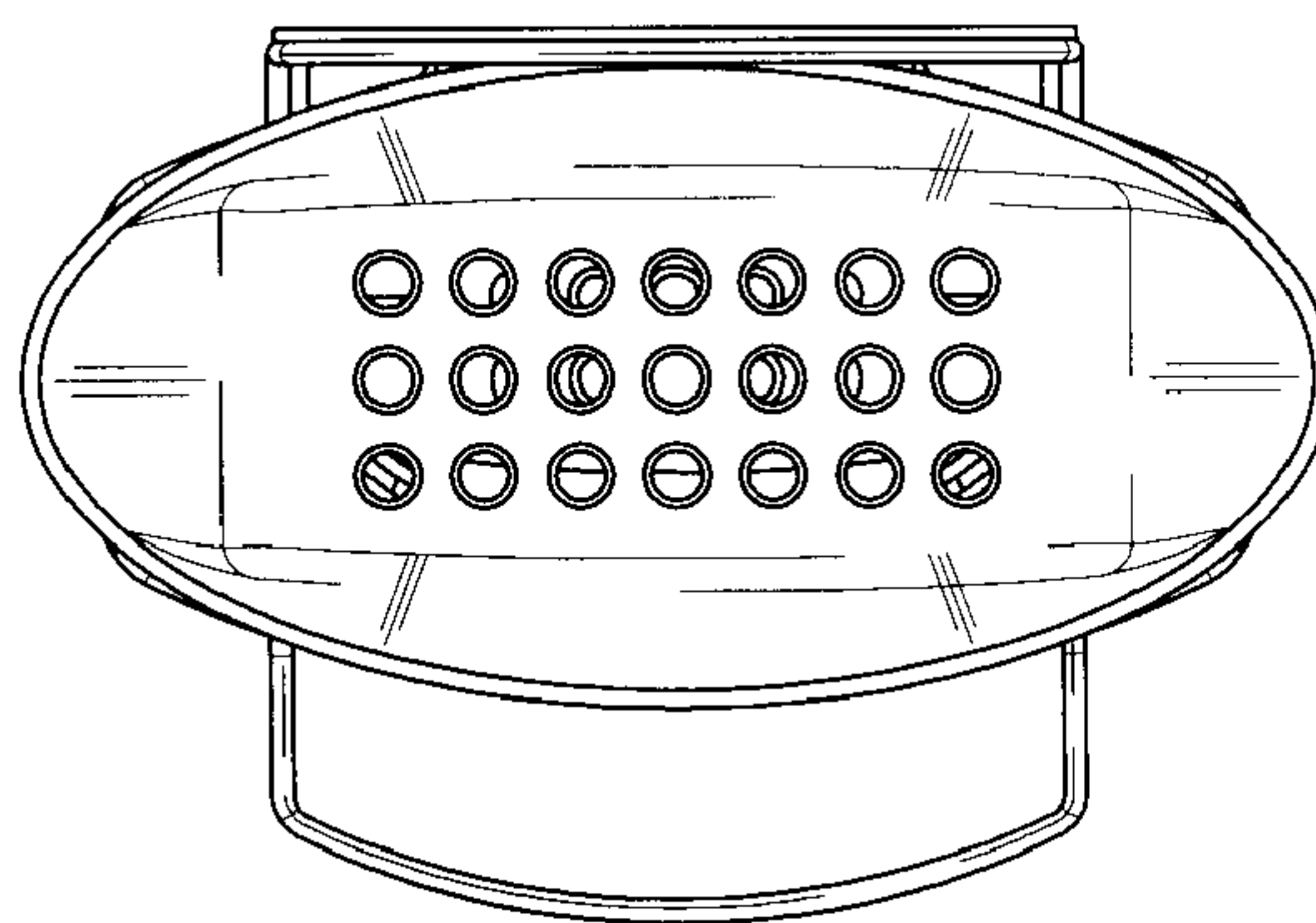


Fig-4