



US00D513369S

(12) **United States Design Patent**
Cross

(10) **Patent No.:** **US D513,369 S**
(45) **Date of Patent:** **** Jan. 3, 2006**

(54) **CHAIR WITH ARM RESTS**

(75) **Inventor:** **Curtis L. Cross**, 3663 Columbiaville Rd., Columbiaville, MI (US) 48421

(73) **Assignee:** **Curtis L. Cross**, Columbiaville, MI (US)

(**) **Term:** **14 Years**

(21) **Appl. No.:** **29/206,014**

(22) **Filed:** **May 24, 2004**

(51) **LOC (8) Cl.** **06-01**

(52) **U.S. Cl.** **D6/370; D6/379; D6/381**

(58) **Field of Classification Search** D6/334, D6/335, 344, 347, 369, 370, 374-376, 379, D6/381, 500-502; 297/232, 440.1, 452.63
See application file for complete search history.

(56) **References Cited**

U.S. PATENT DOCUMENTS

D99,774 S	*	5/1936	Birren	D6/370
D137,587 S	*	4/1944	Harasty	D6/370
D181,727 S	*	12/1957	Haynes	D6/370
D229,591 S	*	12/1973	Trail et al.	D6/370
4,302,048 A	*	11/1981	Yount	297/440.1
D273,444 S	*	4/1984	Harper et al.	D6/370
D327,586 S	*	7/1992	Skalka	D6/370
D329,338 S	*	9/1992	Komai et al.	D6/370
D354,173 S	*	1/1995	Escobal et al.	D6/335

D359,397 S	*	6/1995	McPhee	D6/370
D370,570 S	*	6/1996	Green et al.	D6/370
D495,156 S	*	8/2004	Gower	D6/370

* cited by examiner

Primary Examiner—Mimosa De

(74) *Attorney, Agent, or Firm*—Reising, Ethington, Barnes, Kisselle & Learman, P.C.

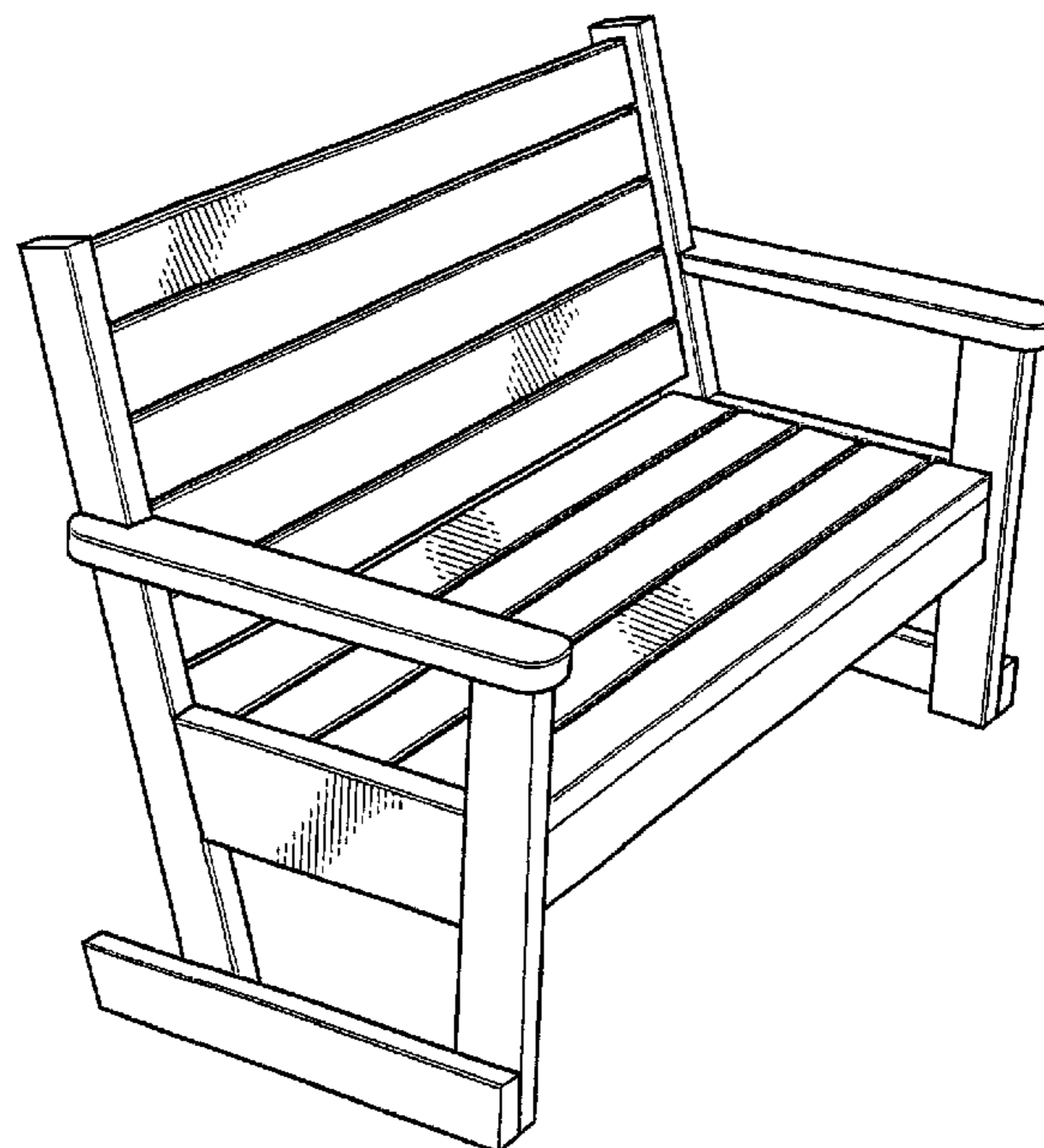
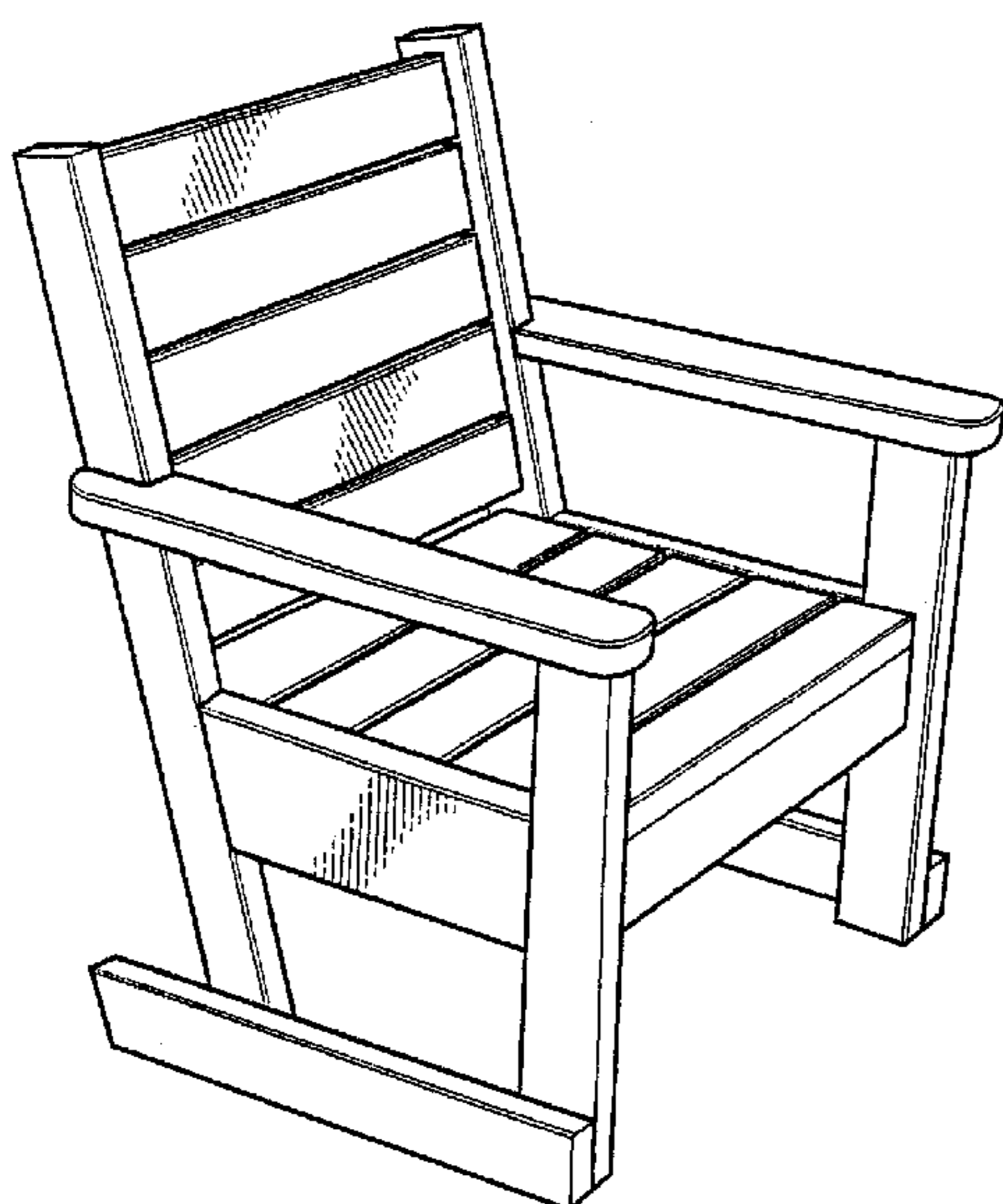
(57) **CLAIM**

The ornamental design for a chair with arm rests, shown and described.

DESCRIPTION

FIG. 1 is a perspective view of a first embodiment of the chair with arm rests;
 FIG. 2 is a side elevational view of the chair with arm rests;
 FIG. 3 is a front elevational view of the chair with arm rests;
 FIG. 4 is a rear elevational view of the chair with arm rests;
 FIG. 5 is a top plan view of the chair with arm rests;
 FIG. 6 is a bottom plan view of the chair with arm rests;
 FIG. 7 is a perspective view of a second embodiment of a chair with arm rests;
 FIG. 8 is a side elevational view of FIG. 7;
 FIG. 9 is a front elevational view of FIG. 7;
 FIG. 10 is a rear elevational view of FIG. 7;
 FIG. 11 is a top plan view of FIG. 7; and,
 FIG. 12 is a bottom plan view of FIG. 7.

1 Claim, 5 Drawing Sheets



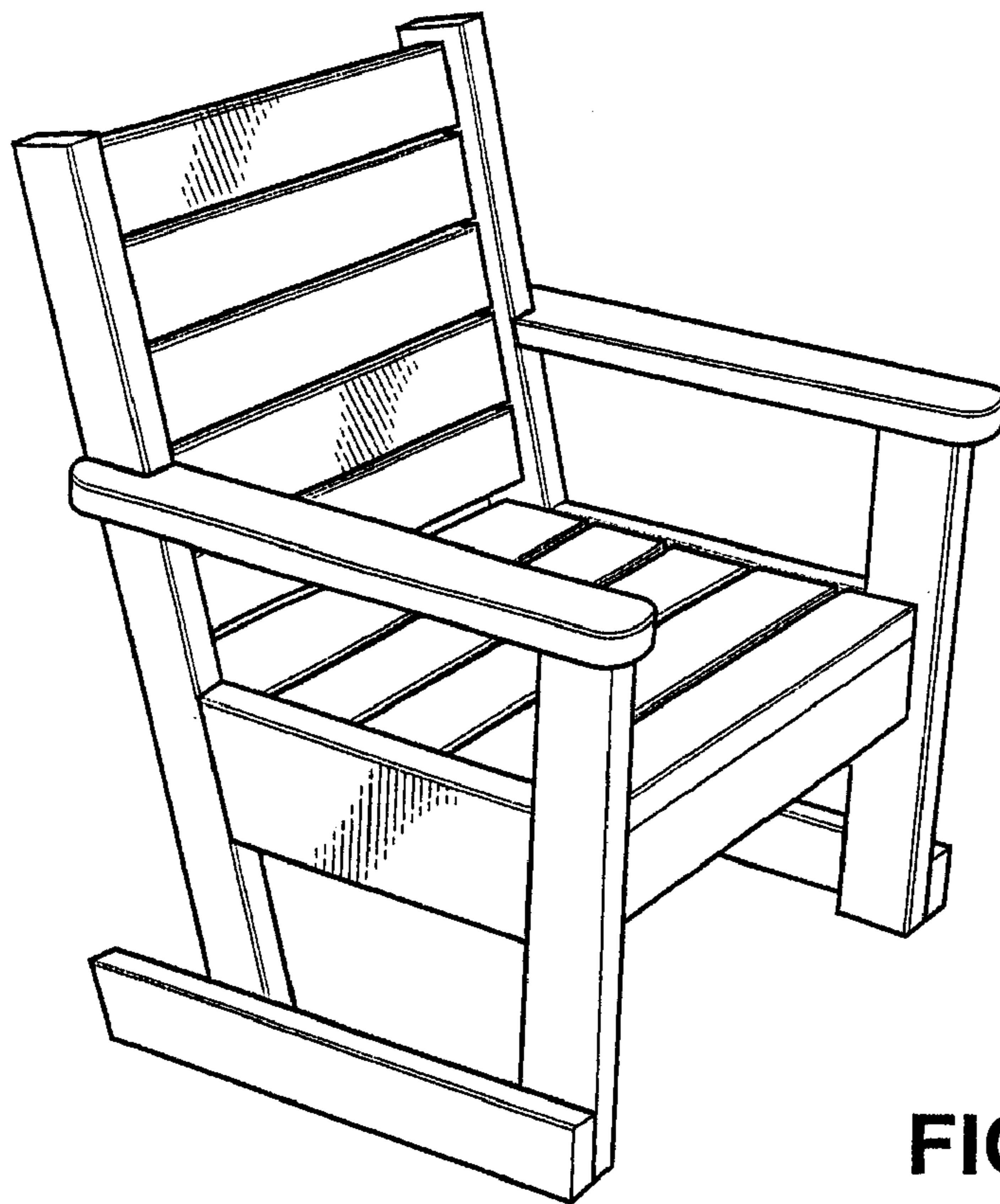


FIG - 1

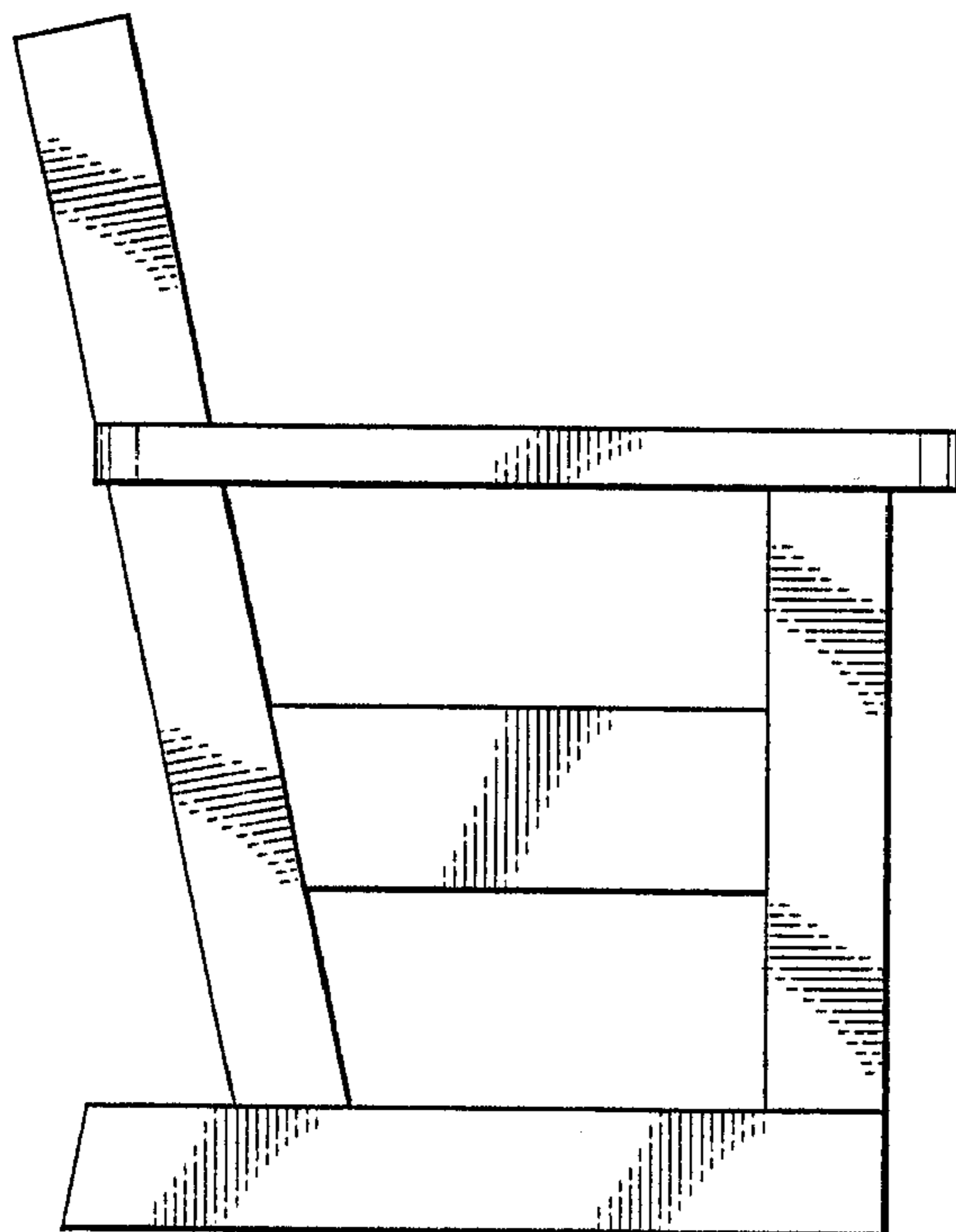


FIG - 2

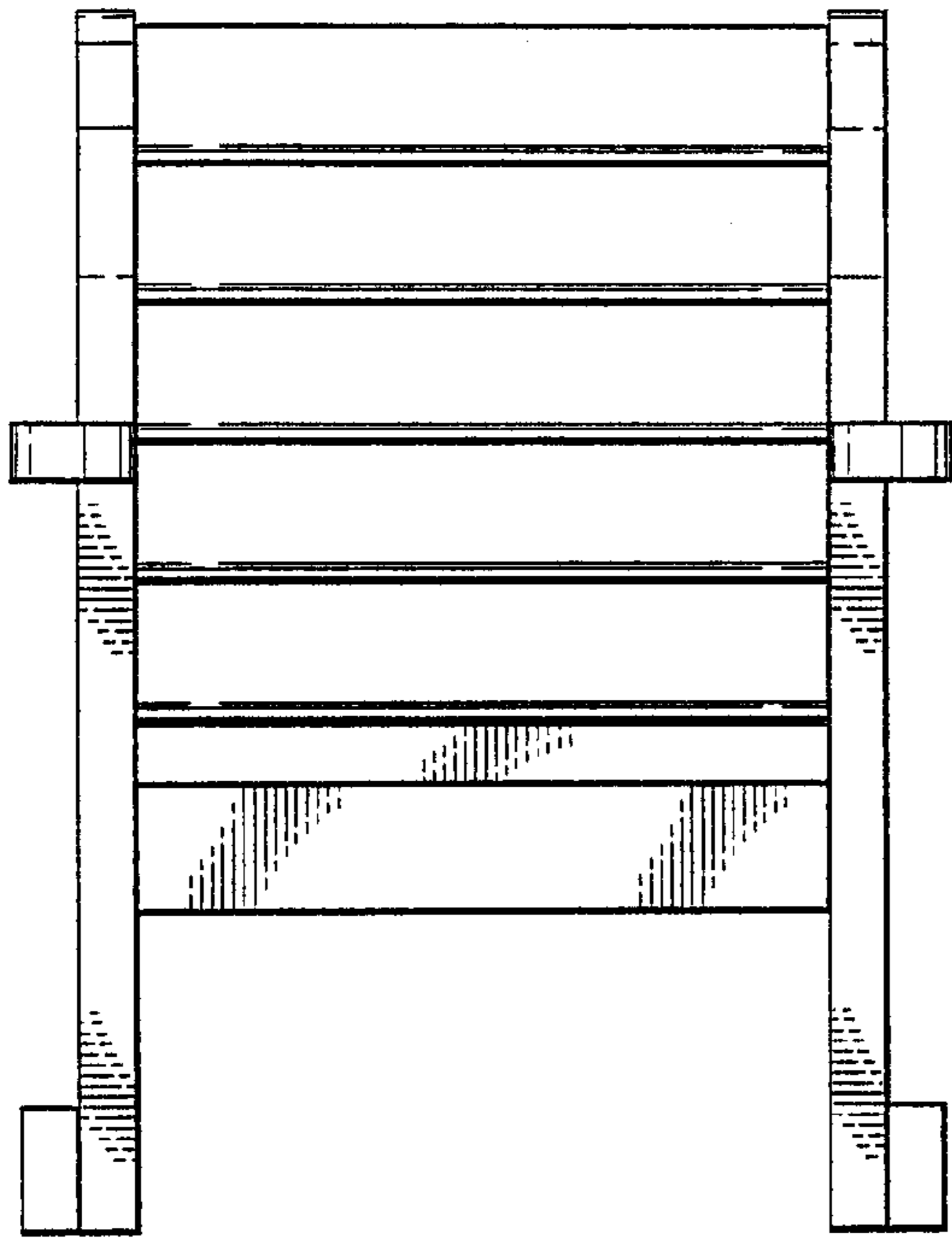


FIG - 3

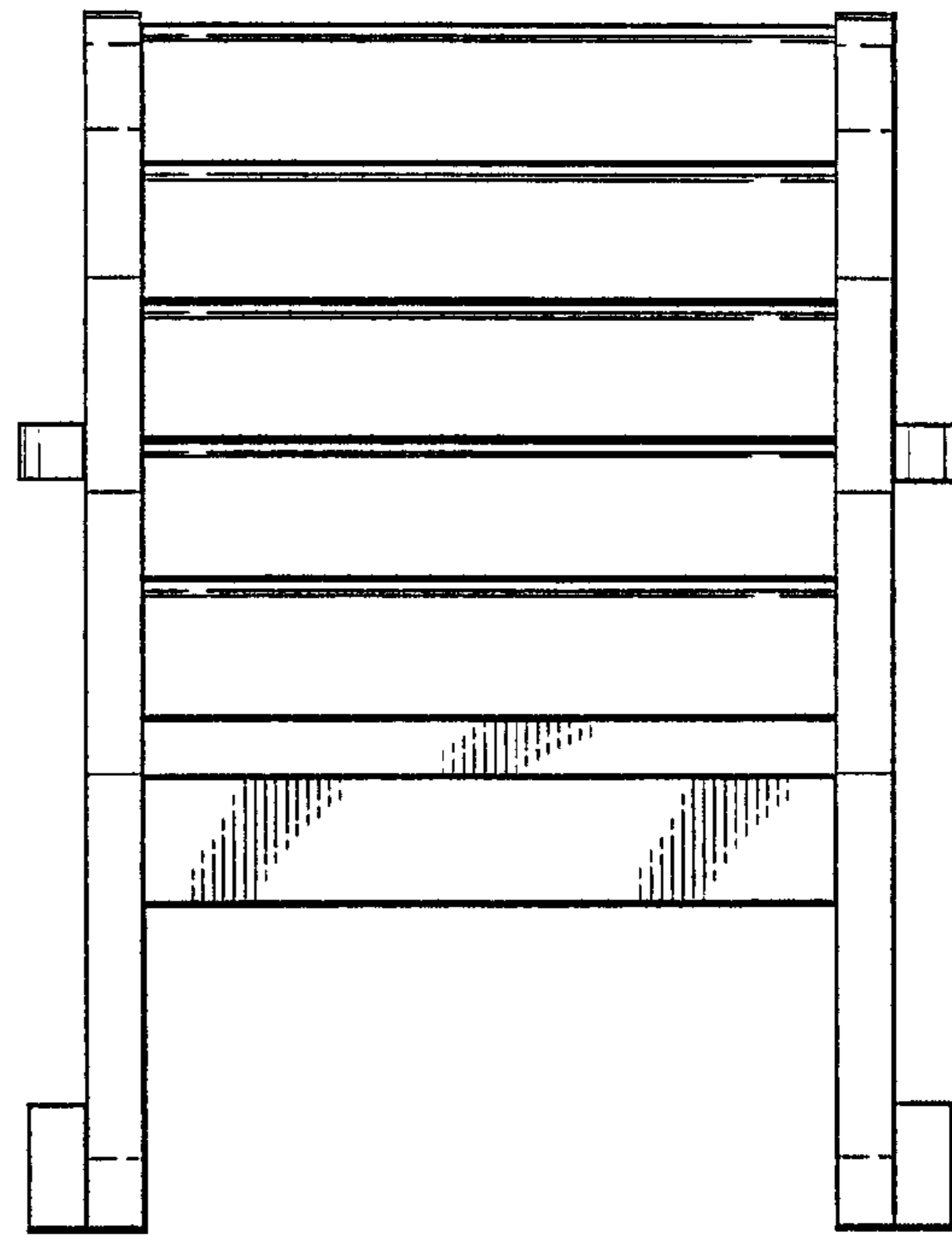


FIG - 4

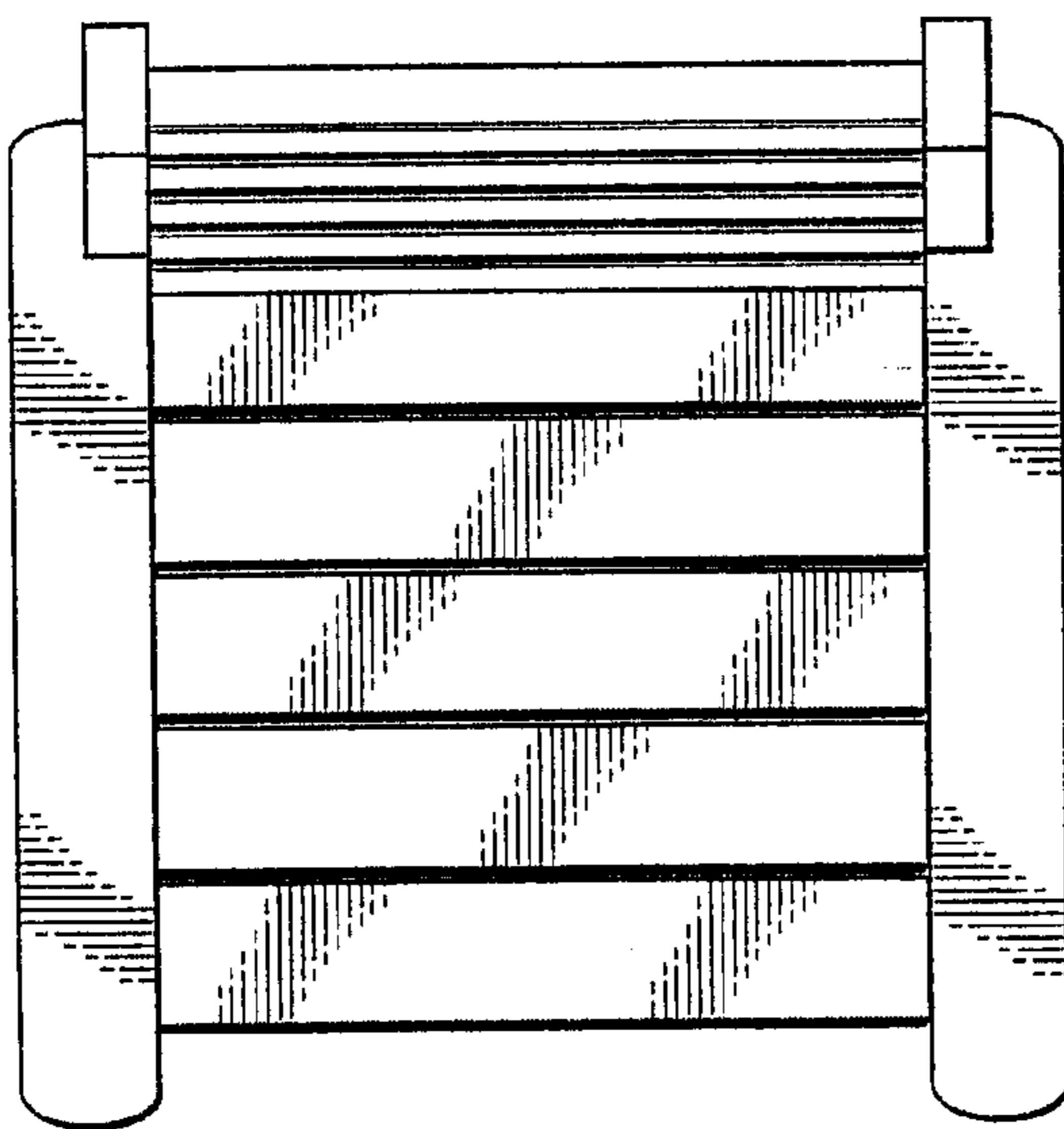


FIG - 5

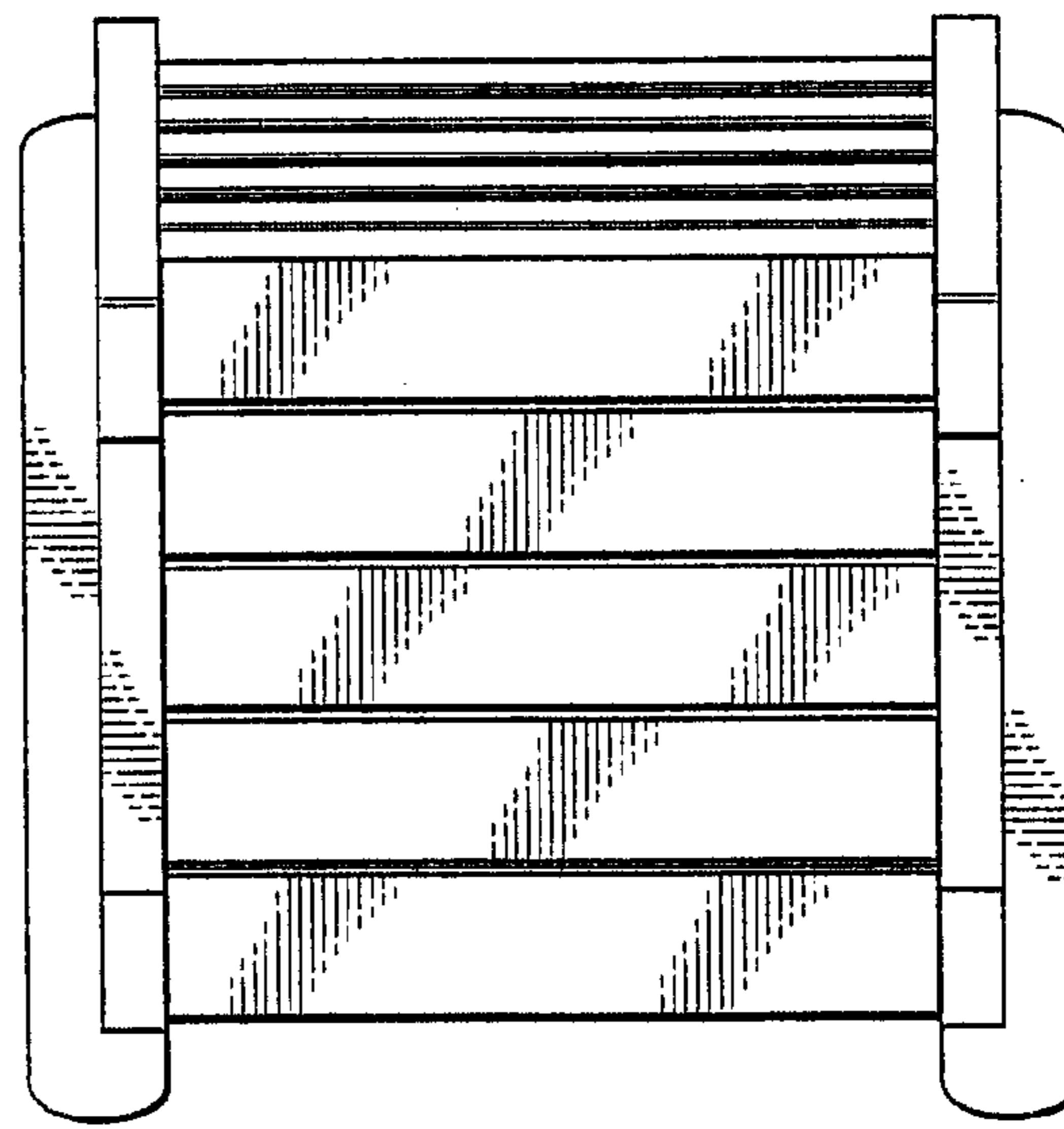


FIG - 6

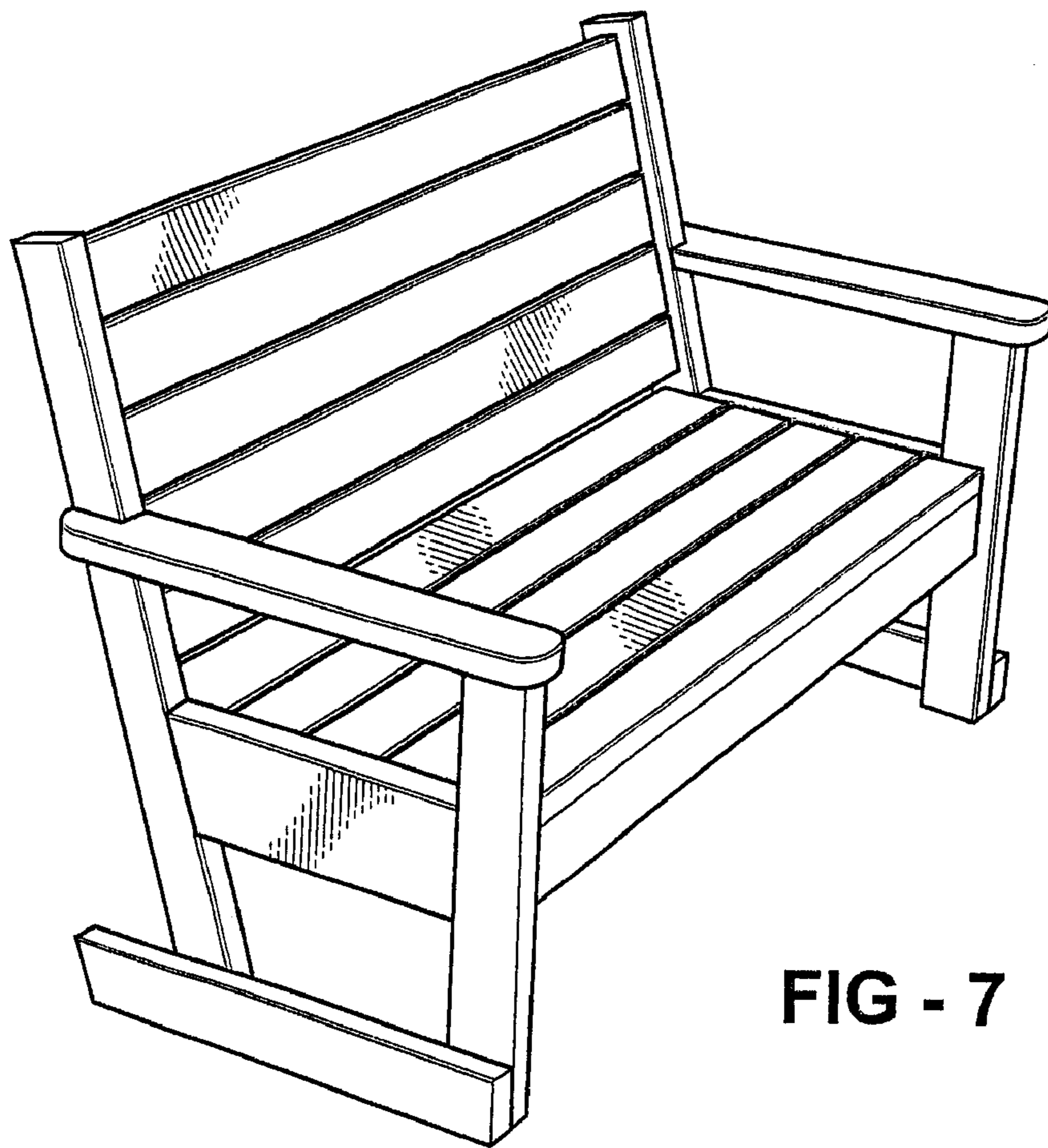


FIG - 7

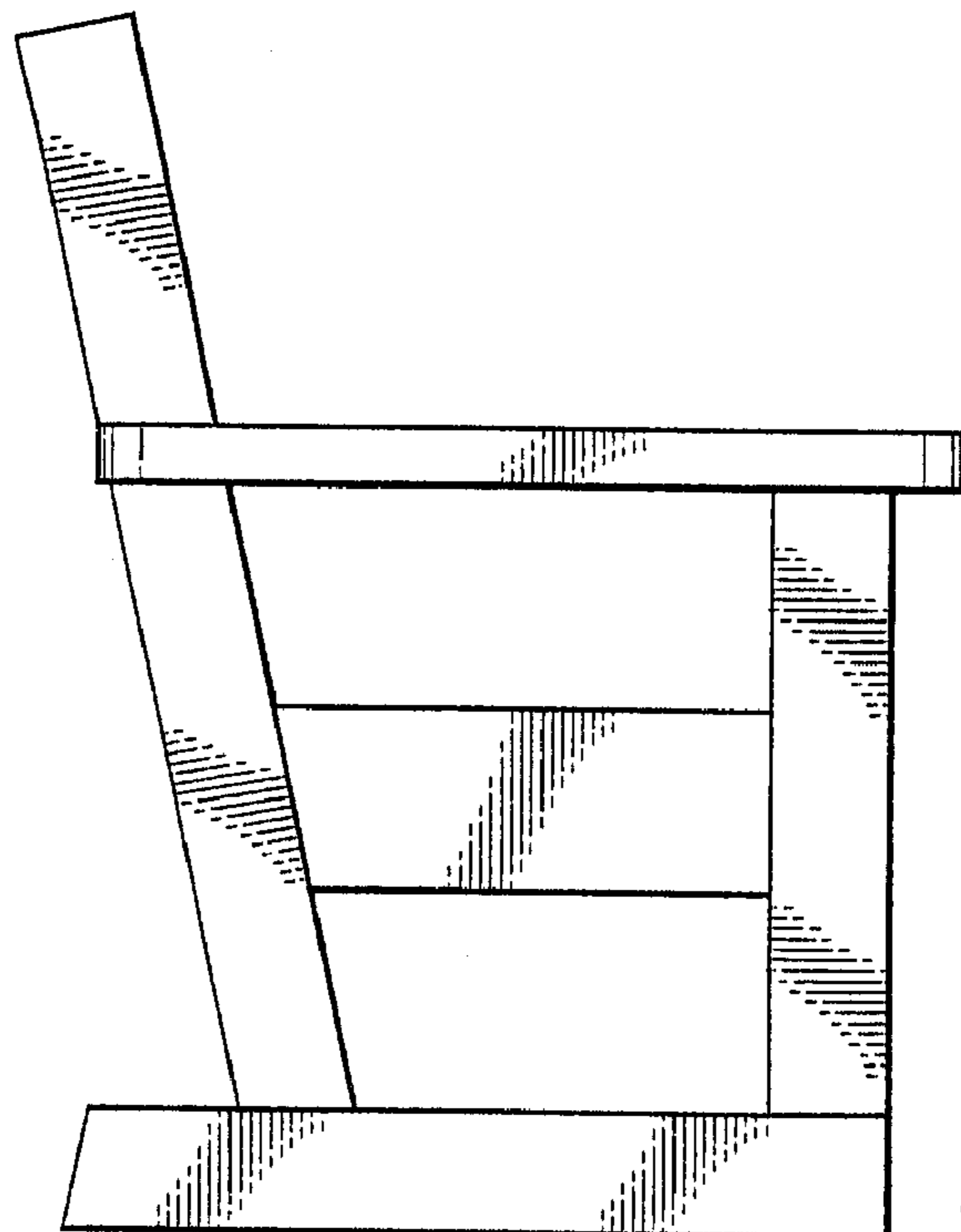


FIG - 8

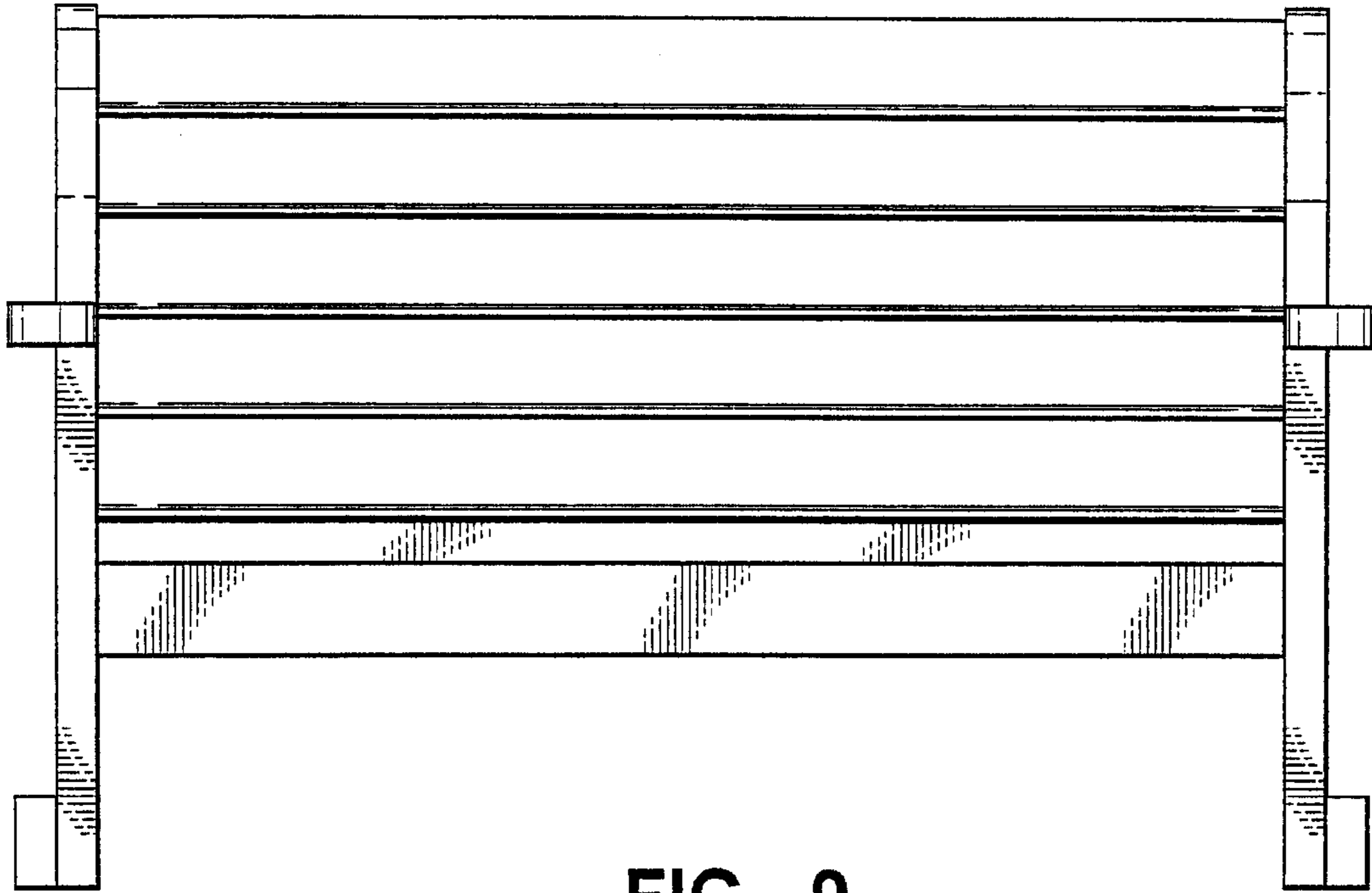


FIG - 9

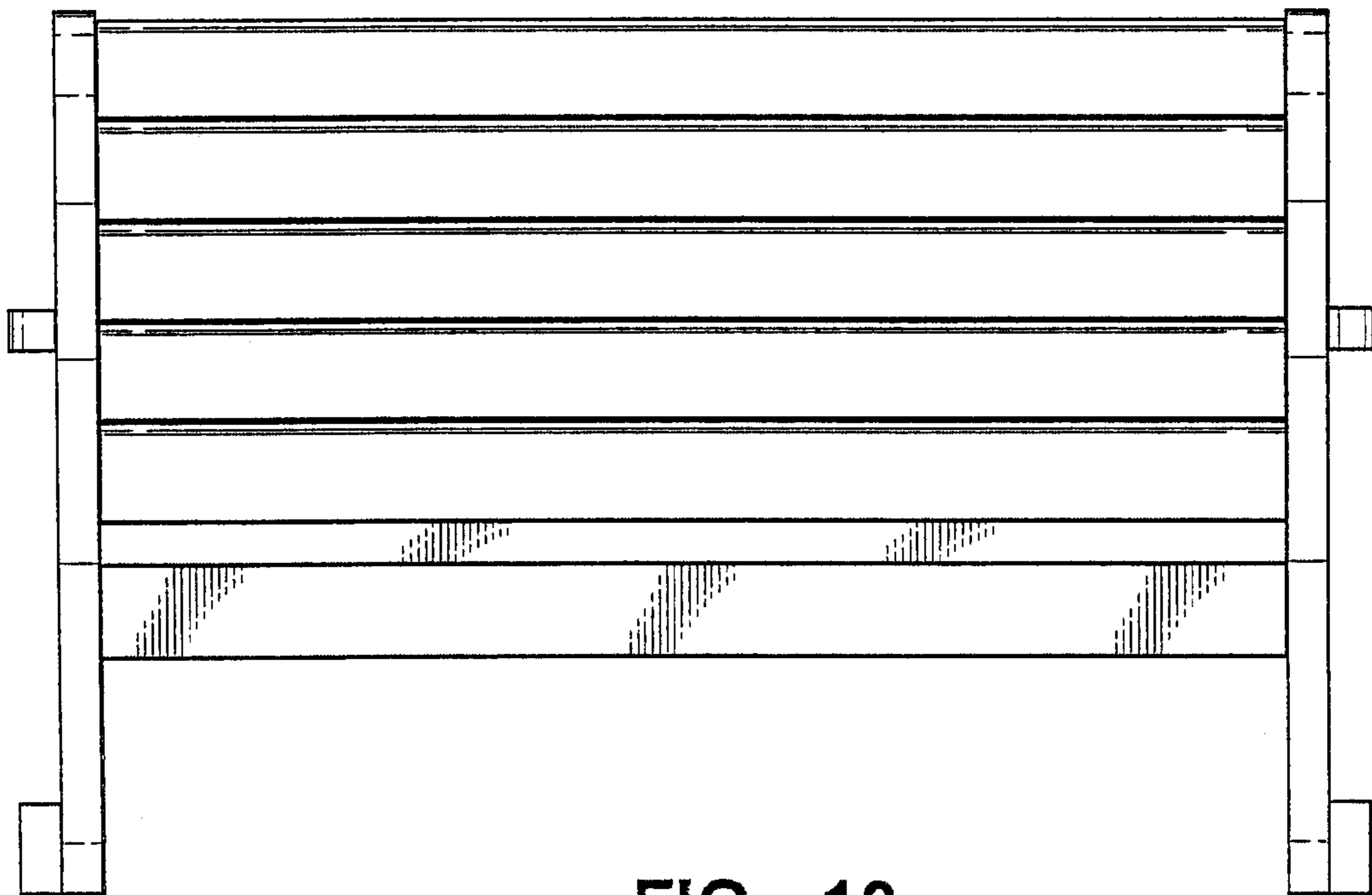


FIG - 10

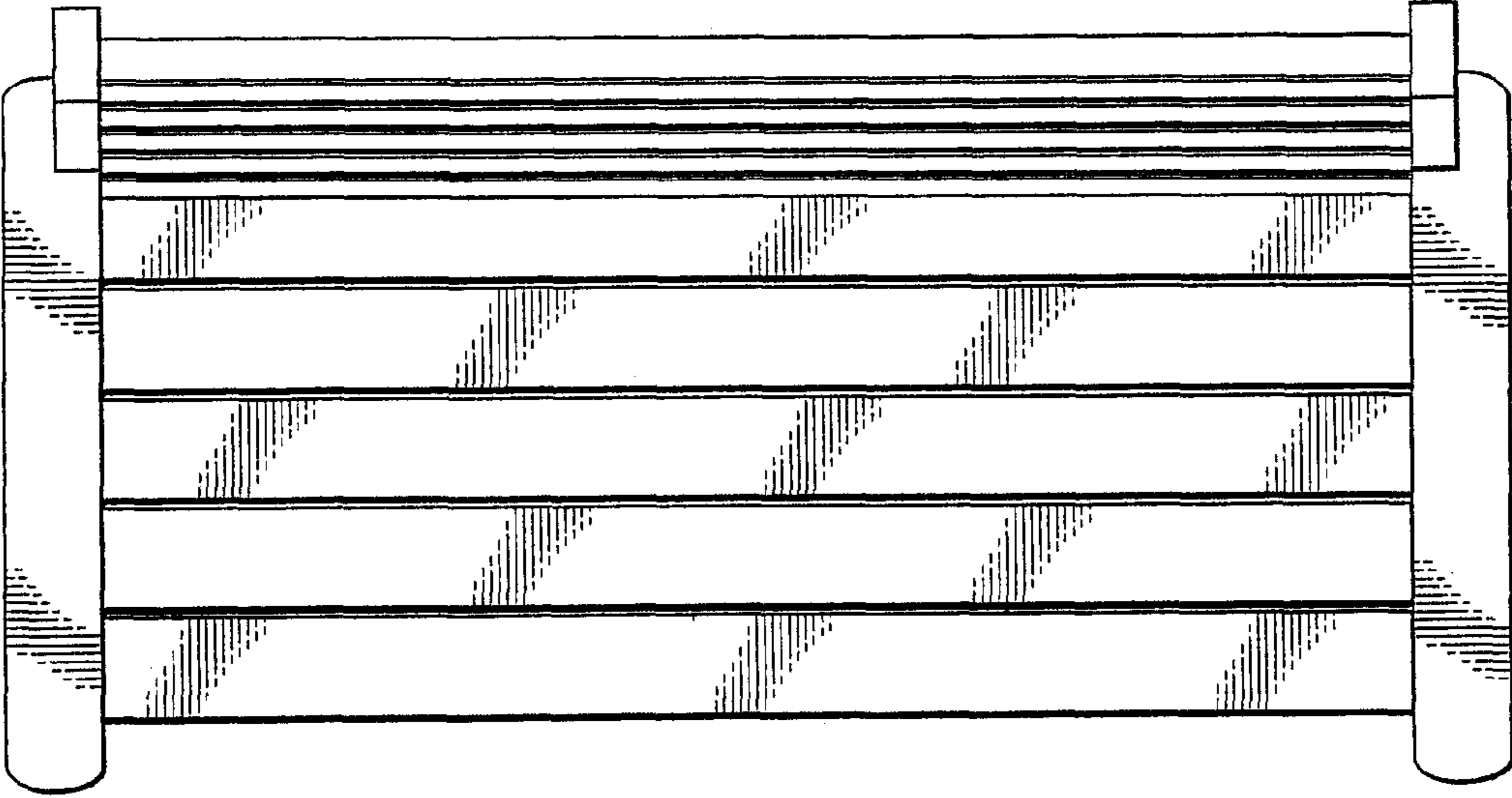


FIG - 11

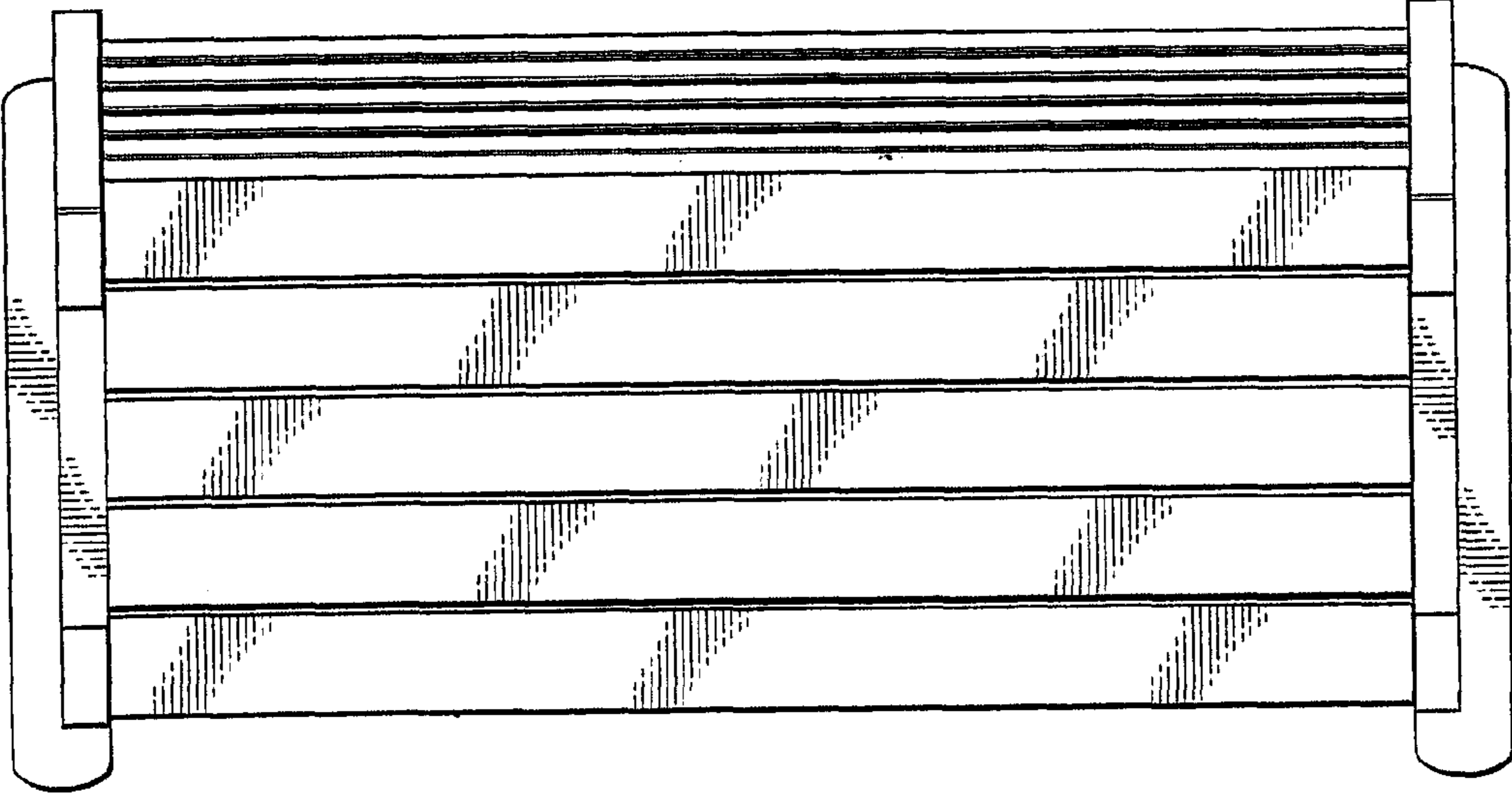


FIG - 12