



US00D513365S

(12) **United States Design Patent** (10) **Patent No.:** **US D513,365 S**
Singh et al. (45) **Date of Patent:** **** Jan. 3, 2006**

- (54) **HOUSEHOLD TOOL KIT** D351,725 S * 10/1994 Aumasson D3/276
 5,386,907 A 2/1995 Kahl et al.
 (75) Inventors: **Satnam Singh, Waterloo (CA); Jose** D361,888 S * 9/1995 Kahl et al. D3/260
Antonio Barrios, Waterloo (CA) D364,426 S 11/1995 Bucaccio
 D389,309 S 1/1998 Shaw
 (73) Assignee: **Maxtech Manufacturing Inc.,** D394,280 S 5/1998 Cheris et al.
Waterloo (CA) 5,762,411 A * 6/1998 Yemini 312/290
 D408,630 S * 4/1999 Johnson et al. D3/276
 (**) Term: **14 Years** D411,351 S * 6/1999 Kohagen et al. D3/281
 D418,296 S * 1/2000 Kobayashi D3/291
 D440,401 S 4/2001 Pauser et al.
 (21) Appl. No.: **29/221,675** D459,073 S 6/2002 Lee
 (22) Filed: **Jan. 21, 2005**

* cited by examiner

Related U.S. Application Data

- (62) Division of application No. 29/190,784, filed on Sep. 29, 2003.
 (51) **LOC (8) Cl.** **03-01**
 (52) **U.S. Cl.** **D3/276; D3/291; D3/905**
 (58) **Field of Classification Search** D3/273,
 D3/276, 281, 291, 294, 295, 905; 206/349,
 206/372, 373; 190/110, 111, 112; 220/324,
 220/326; 312/902
 See application file for complete search history.

Primary Examiner—Philip S. Hyder

(74) *Attorney, Agent, or Firm*—Jeffrey W. Wong; Borden Ladner Gervais LLP

(57) **CLAIM**

We claim the ornamental design for household tool kit, as shown and described.

DESCRIPTION

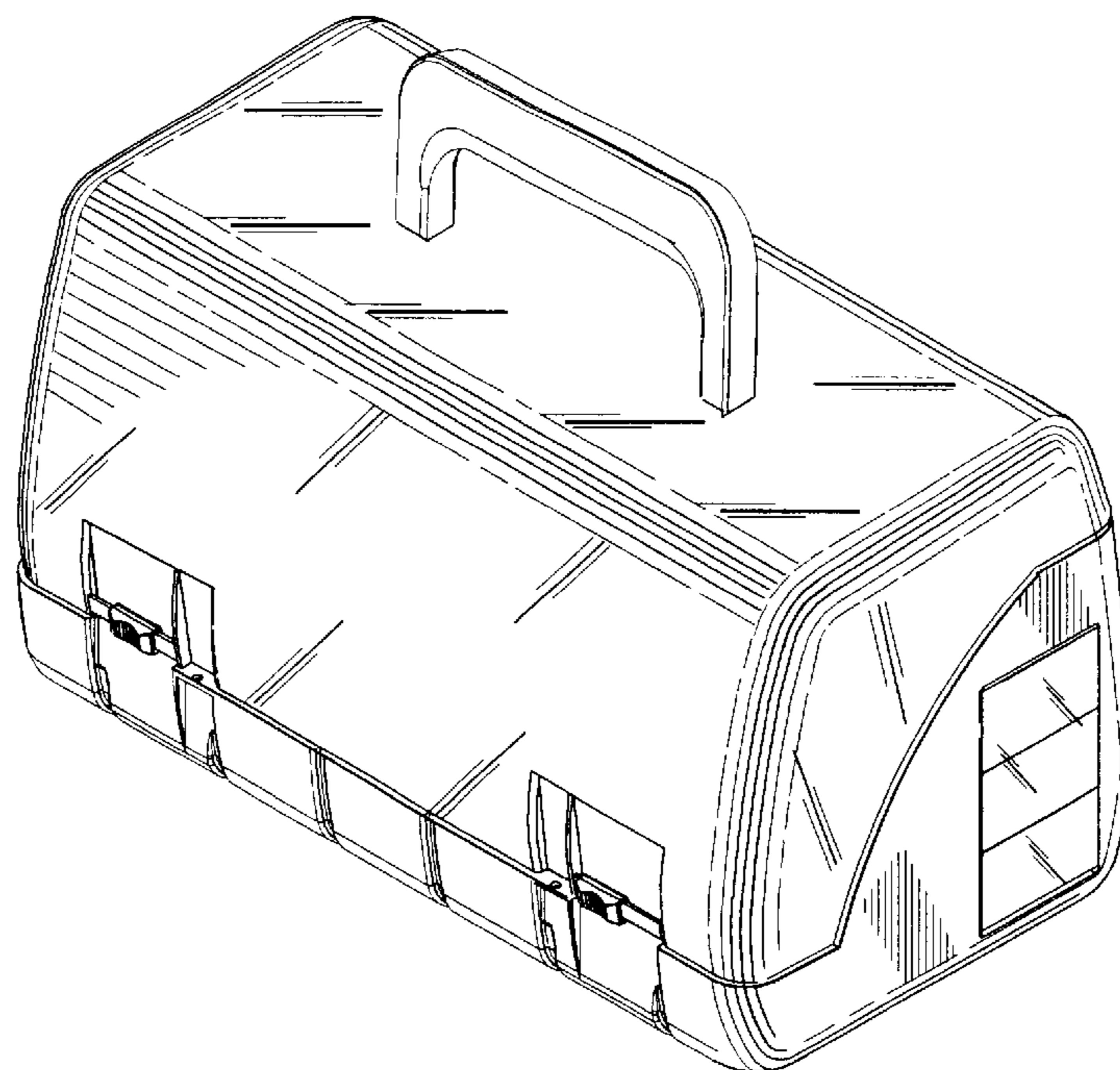
FIG. 1 is a perspective view of the front of the household tool kit;
 FIG. 2 is a bottom perspective view of the rear of the household tool kit;
 FIG. 3 is a top view of the household tool kit;
 FIG. 4 is a front view of the household tool kit;
 FIG. 5 is a rear view of the household tool kit;
 FIG. 6 is a bottom view of the household tool kit;
 FIG. 7 is a left hand side view of the household tool kit; and,
 FIG. 8 is a right hand side view of the household tool kit.
 The design consists of the visual features of the entirety of the household tool kit as shown in the drawings.

(56) **References Cited**

U.S. PATENT DOCUMENTS

- D325,123 S * 4/1992 Tiramani D3/275
 D326,559 S 6/1992 Szablak et al.
 D326,775 S 6/1992 Skillius
 D331,317 S 12/1992 Tsal
 D335,960 S 6/1993 Kahl et al.
 D341,294 S * 11/1993 Doxey D3/291
 D348,984 S * 7/1994 Gilbert et al. D3/281
 D351,283 S * 10/1994 Wolff D3/281

1 Claim, 4 Drawing Sheets



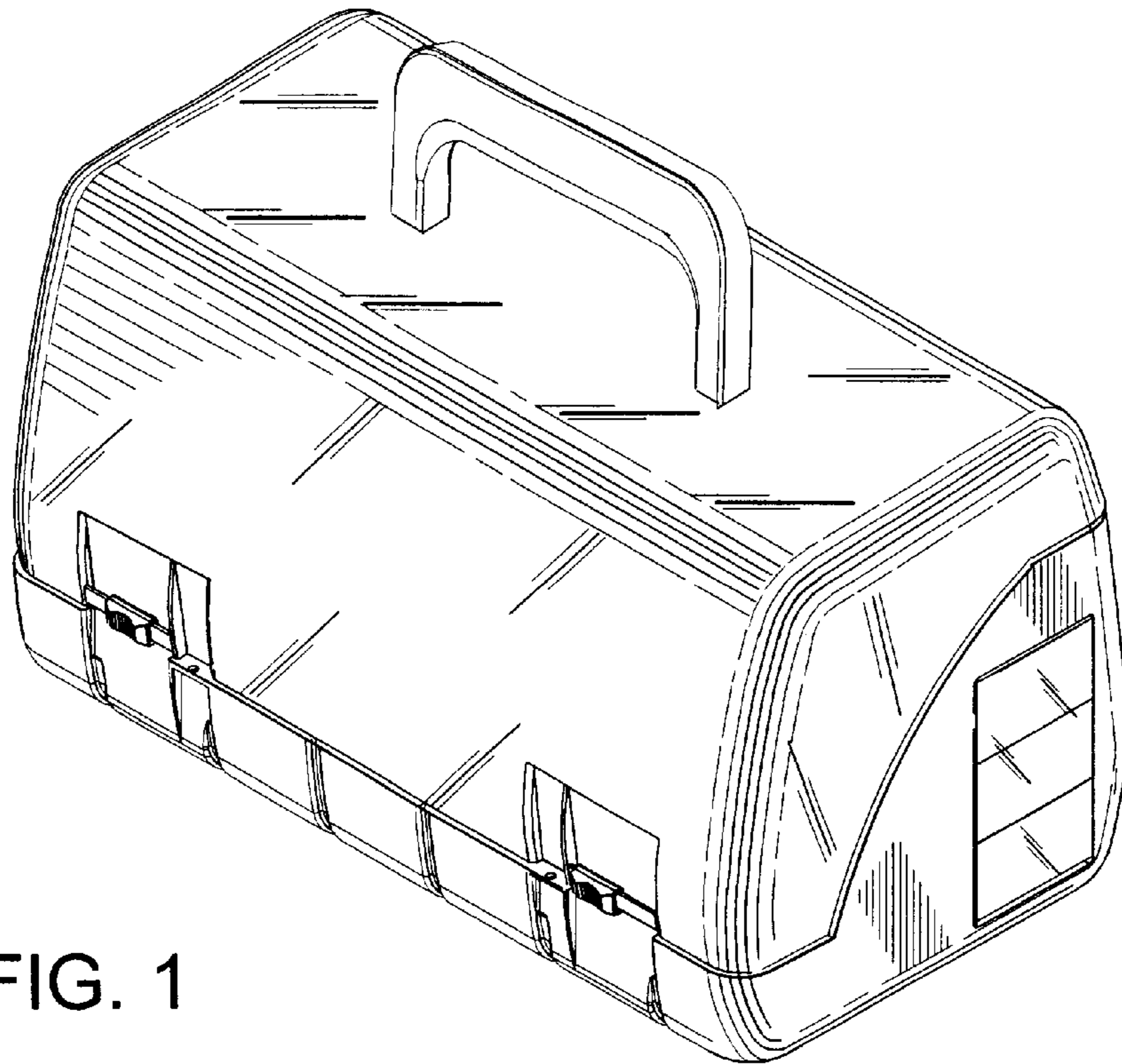


FIG. 1

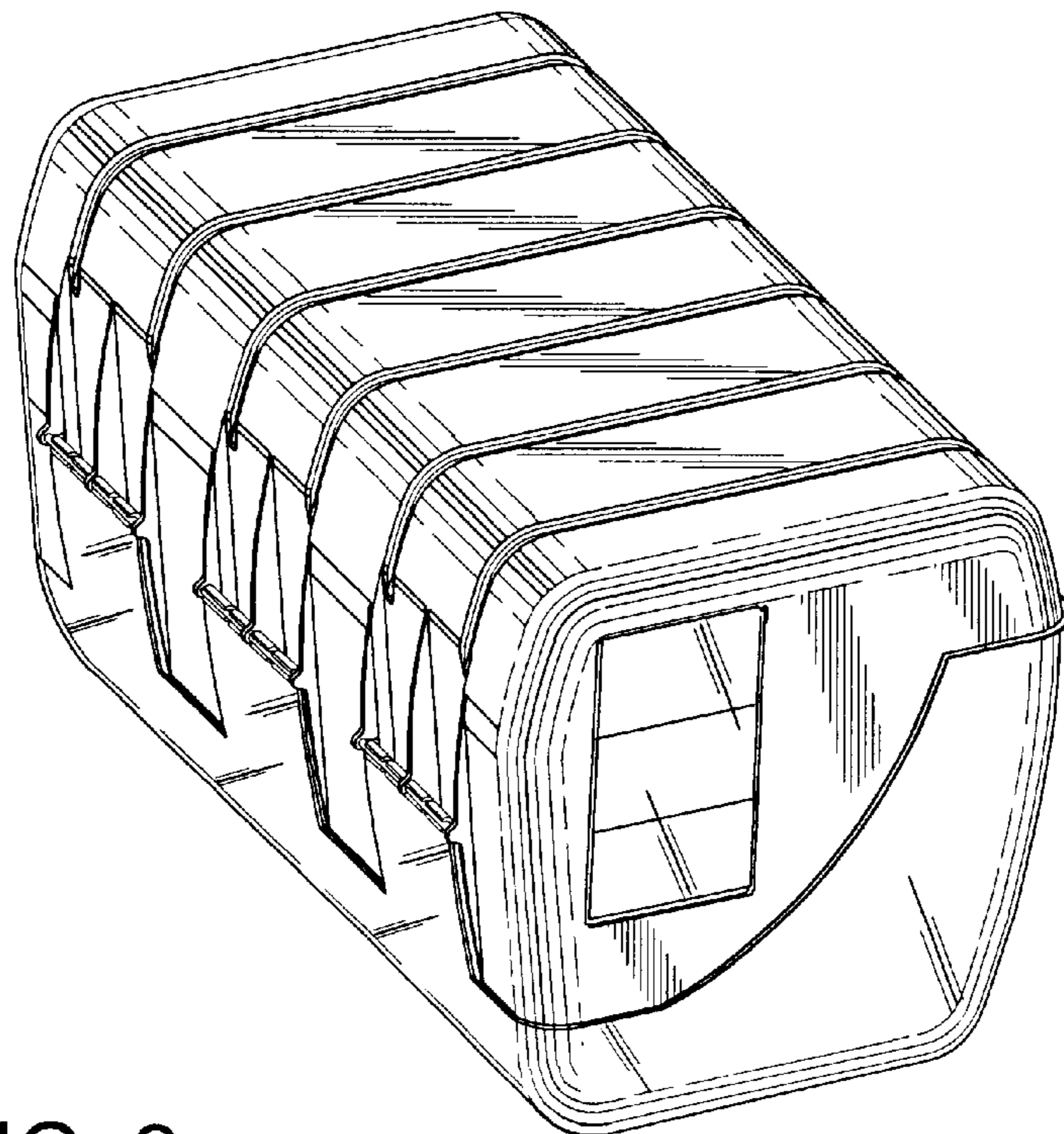


FIG. 2

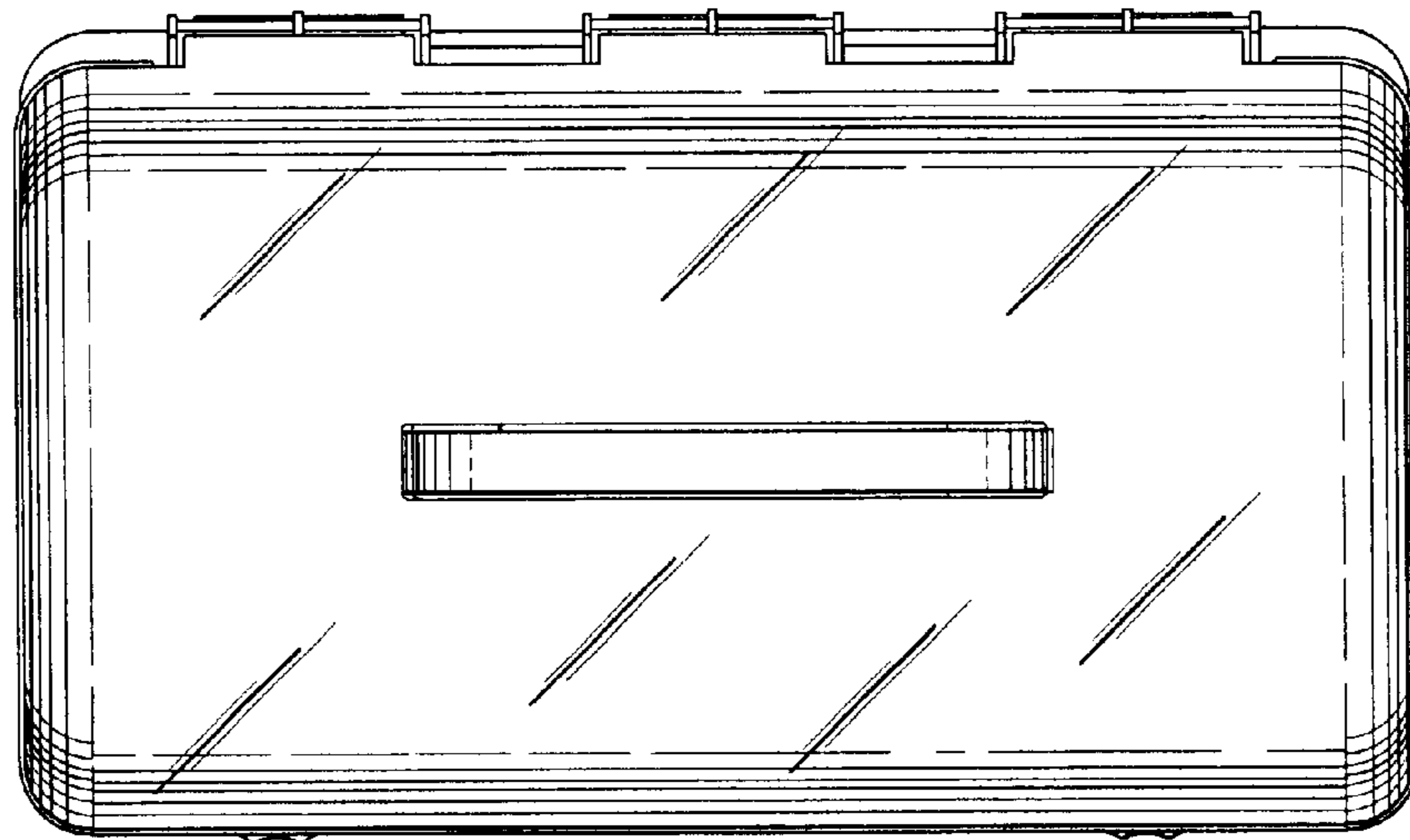


FIG. 3

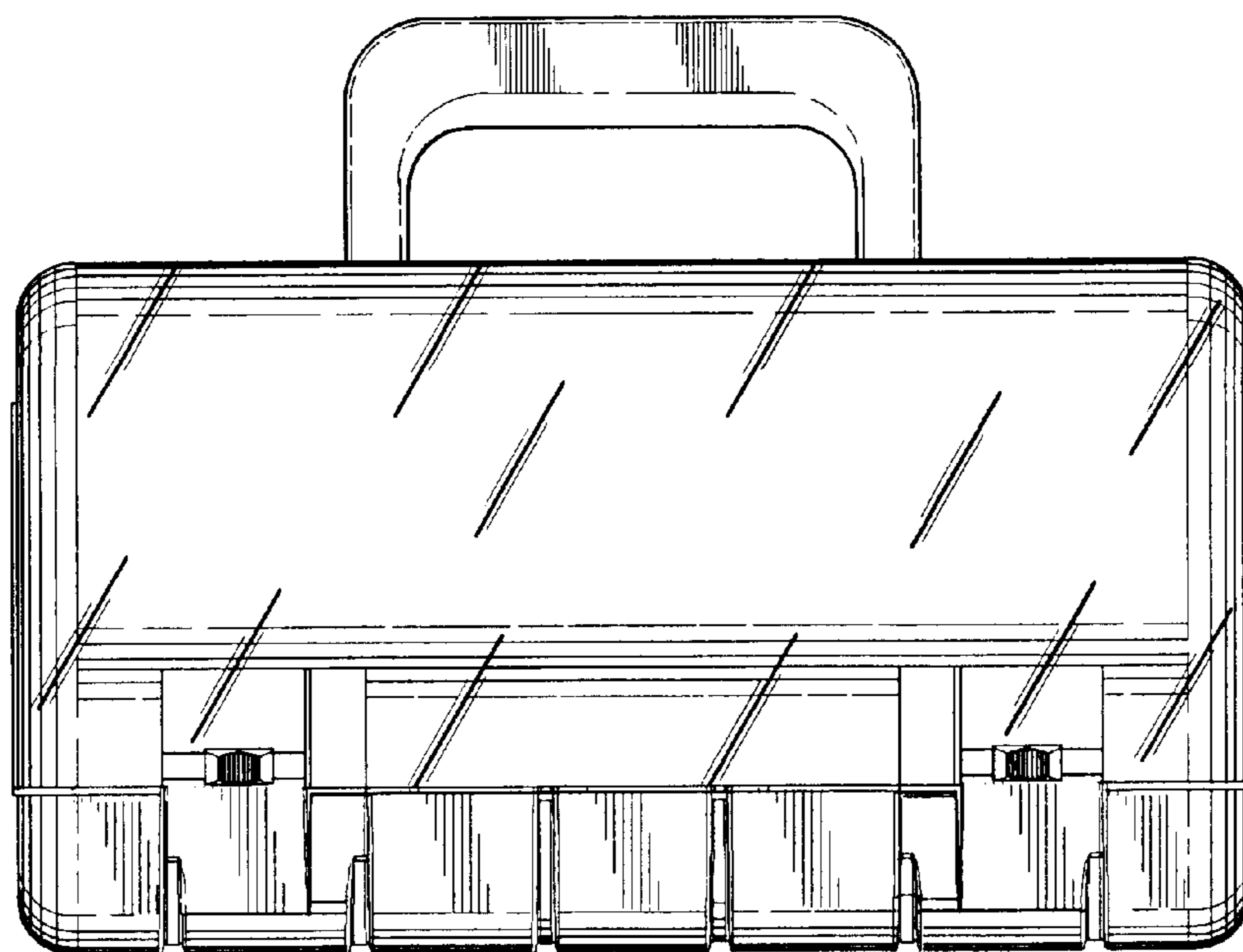


FIG. 4

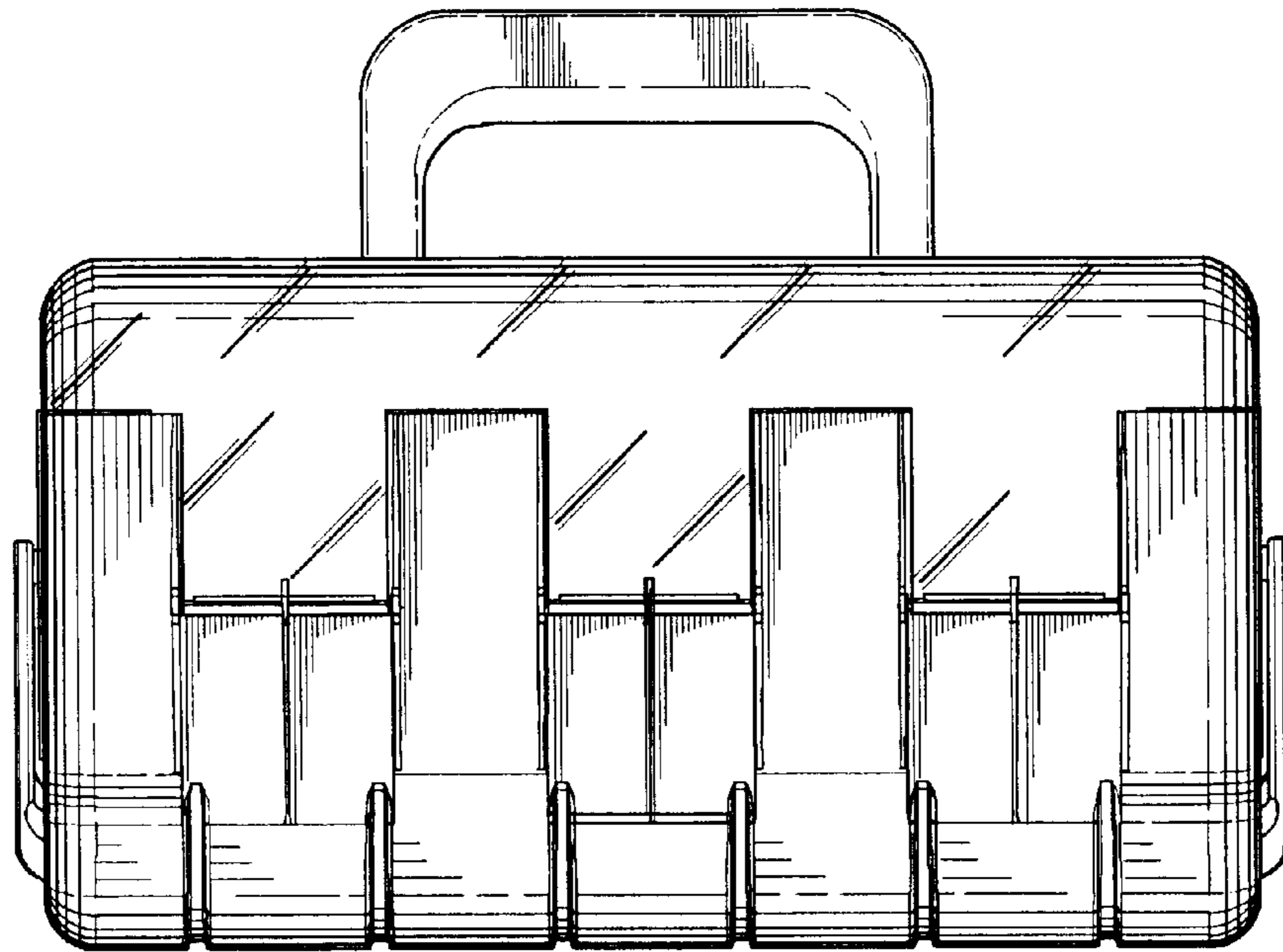


FIG. 5

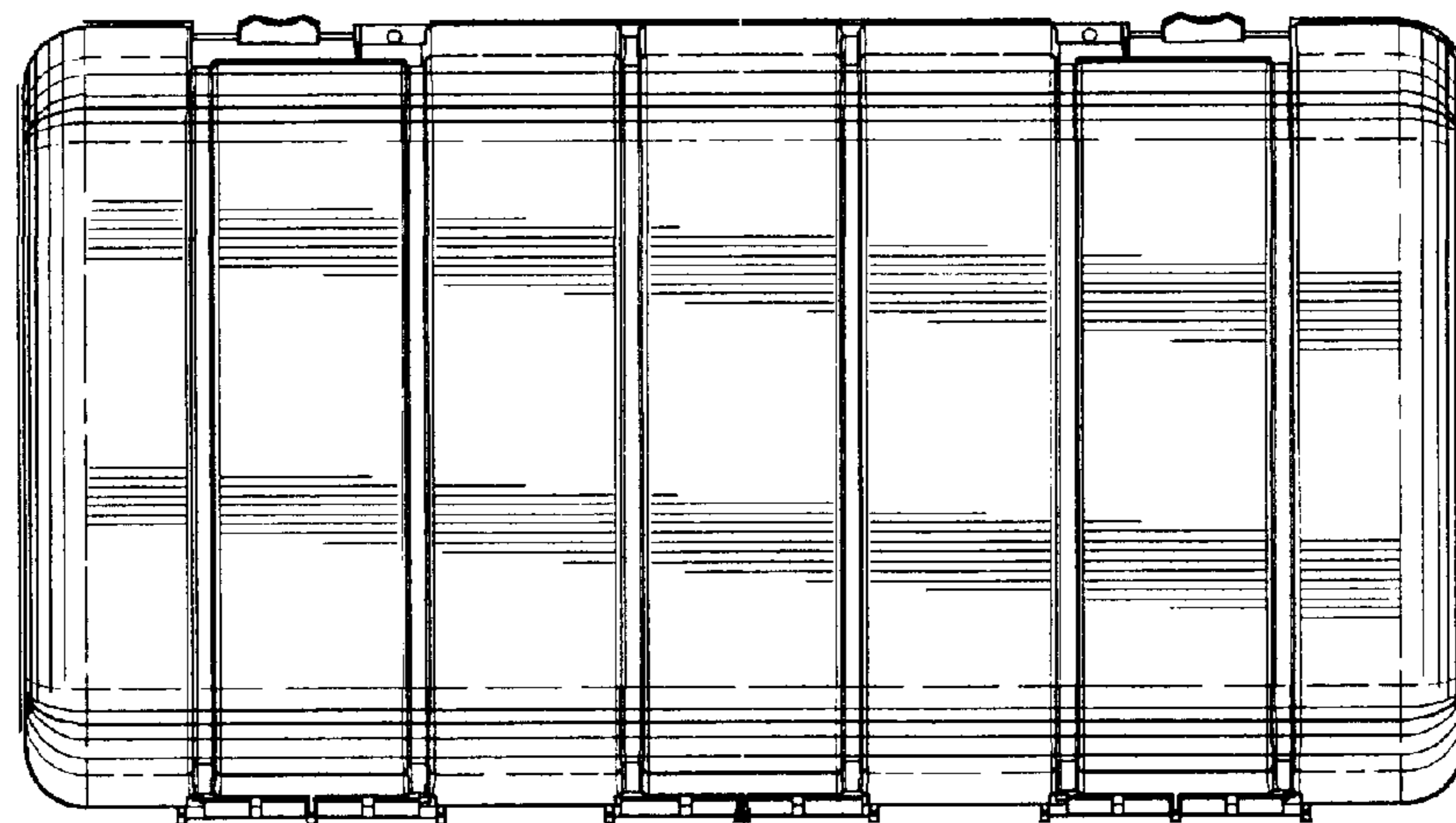


FIG. 6

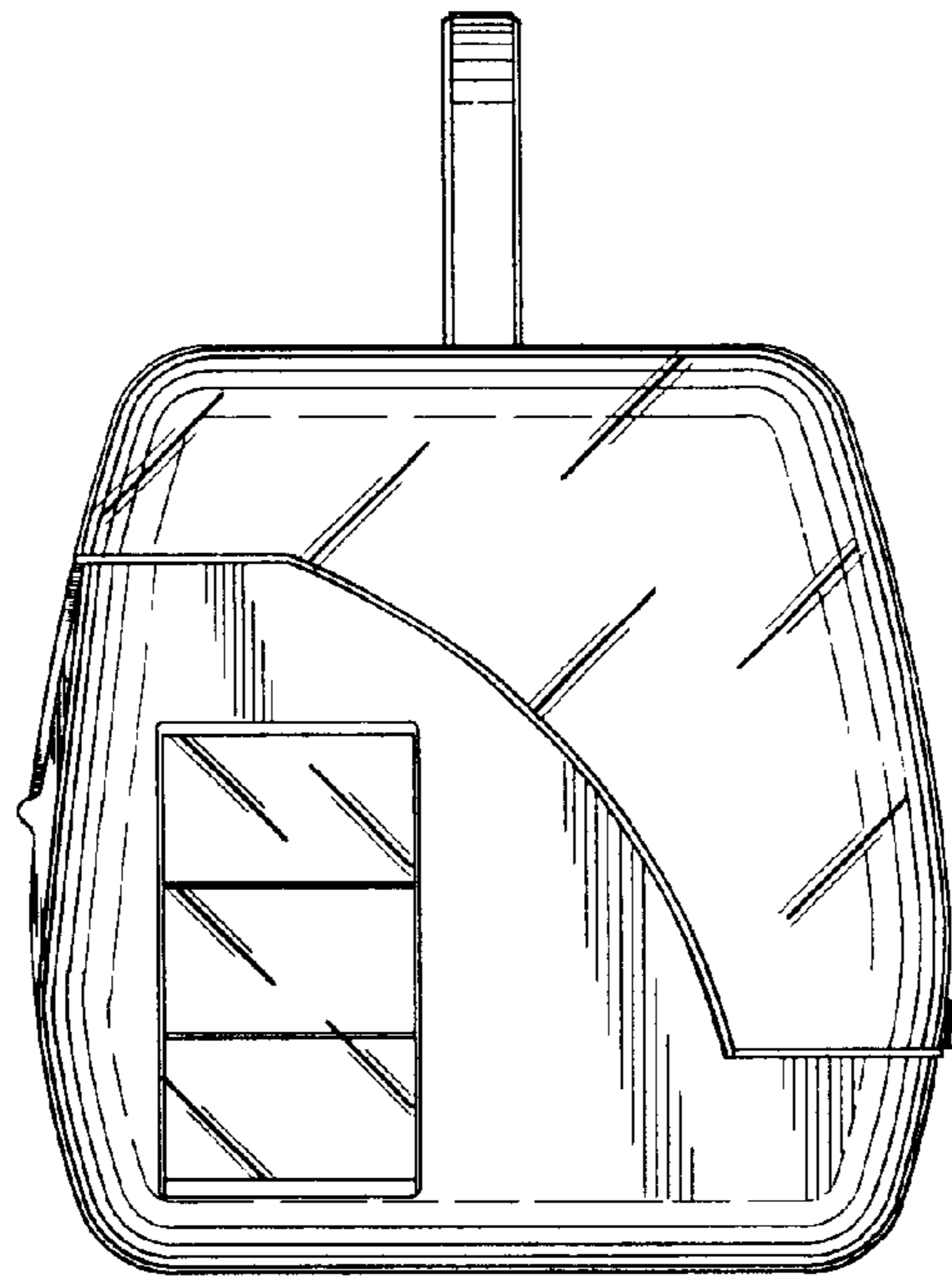


FIG. 7

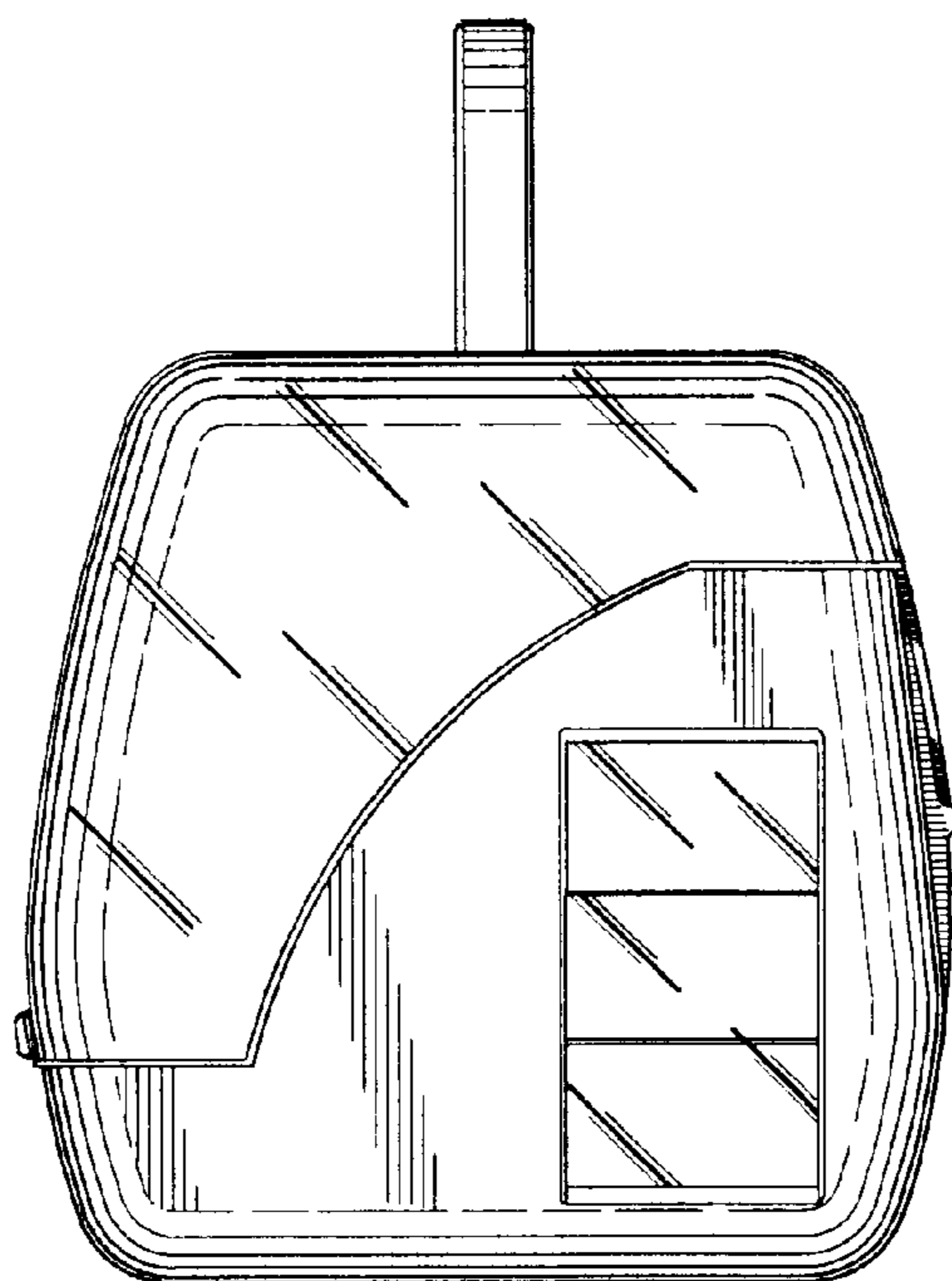


FIG. 8