



US00D513354S

(12) **United States Design Patent**
Okada

(10) **Patent No.:** **US D513,354 S**

(45) **Date of Patent:** **** Dec. 27, 2005**

(54) **JACK**

(75) **Inventor:** **Daisuke Okada, Osaka (JP)**

(73) **Assignee:** **Hosiden Corporation, Osaka (JP)**

(**) **Term:** **14 Years**

(21) **Appl. No.:** **29/194,047**

(22) **Filed:** **Nov. 18, 2003**

(30) **Foreign Application Priority Data**

May 27, 2003 (JP) 2003-018967

(51) **LOC (6) Cl.** **12-05**

(52) **U.S. Cl.** **D34/31**

(58) **Field of Search** D34/31, 28; 254/126,
254/22, 93 H, 134, 420, DIG. 1, 423, 424,
86 H, 86 R

(56) **References Cited**

U.S. PATENT DOCUMENTS

D140,517 S	*	3/1945	Page	D34/31
D140,518 S	*	3/1945	Page	D34/31
3,365,159 A	*	1/1968	Corneliusen	248/346.06
3,806,091 A	*	4/1974	Wride	254/93 R
4,202,514 A	*	5/1980	Chen	254/93 H
4,231,550 A	*	11/1980	Castoe	254/124

4,293,012 A	*	10/1981	Pierrat	144/195.1
D324,286 S	*	2/1992	Nudd	D34/31
5,211,375 A	*	5/1993	Wang	254/93 H
D384,474 S	*	9/1997	White	D34/31
D388,926 S	*	1/1998	Sorensen	D34/31
D440,022 S	*	4/2001	Simpson et al.	D34/31
D440,730 S	*	4/2001	Lu	D34/31
D447,309 S	*	8/2001	Wilson	D34/31
6,877,200 B2	*	4/2005	Villarreal	29/402.08

* cited by examiner

Primary Examiner—Cynthia E. Ramirez

(74) *Attorney, Agent, or Firm*—Akin Gump Strauss Hauer & Feld, LLP

(57) **CLAIM**

The ornamental design for a jack, as shown and described.

DESCRIPTION

FIG. 1 is a front perspective view of a jack in accordance with my new design;
 FIG. 2 is a front elevational view thereof;
 FIG. 3 is a rear elevational view thereof;
 FIG. 4 is a top plan view thereof;
 FIG. 5 is a bottom plan view thereof;
 FIG. 6 is a left side view thereof; and,
 FIG. 7 is a right side view thereof.

1 Claim, 3 Drawing Sheets

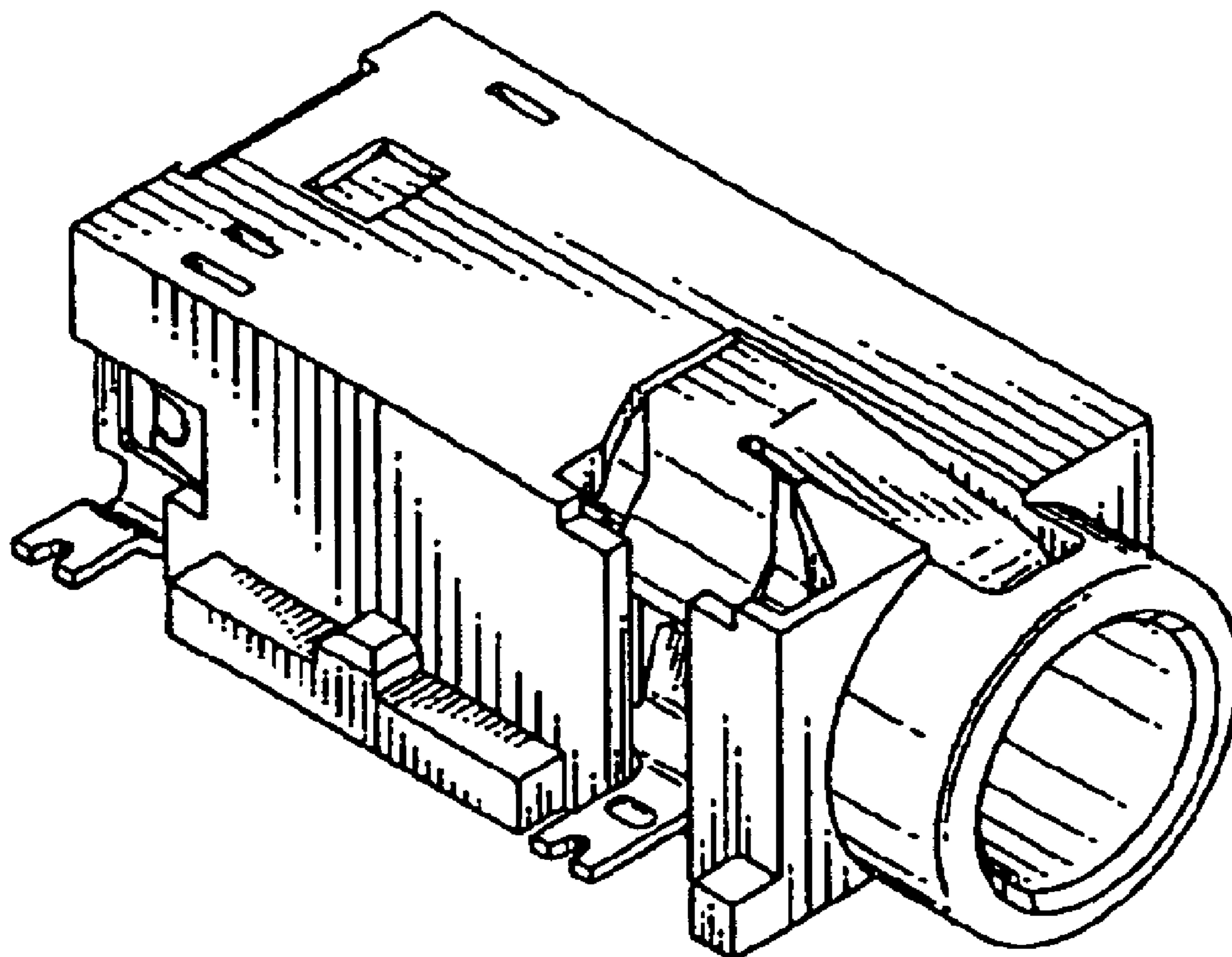


Fig. 1

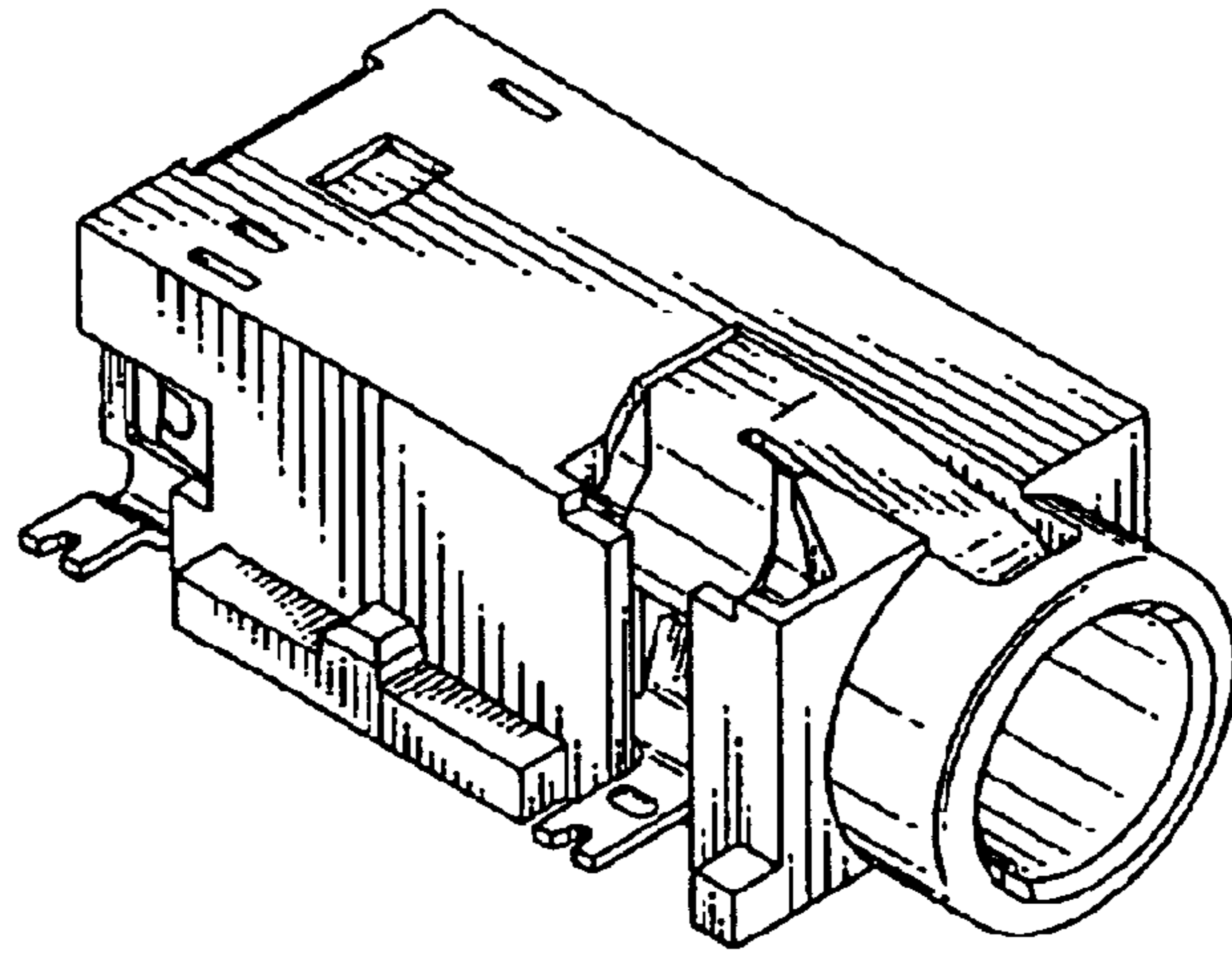


Fig. 2

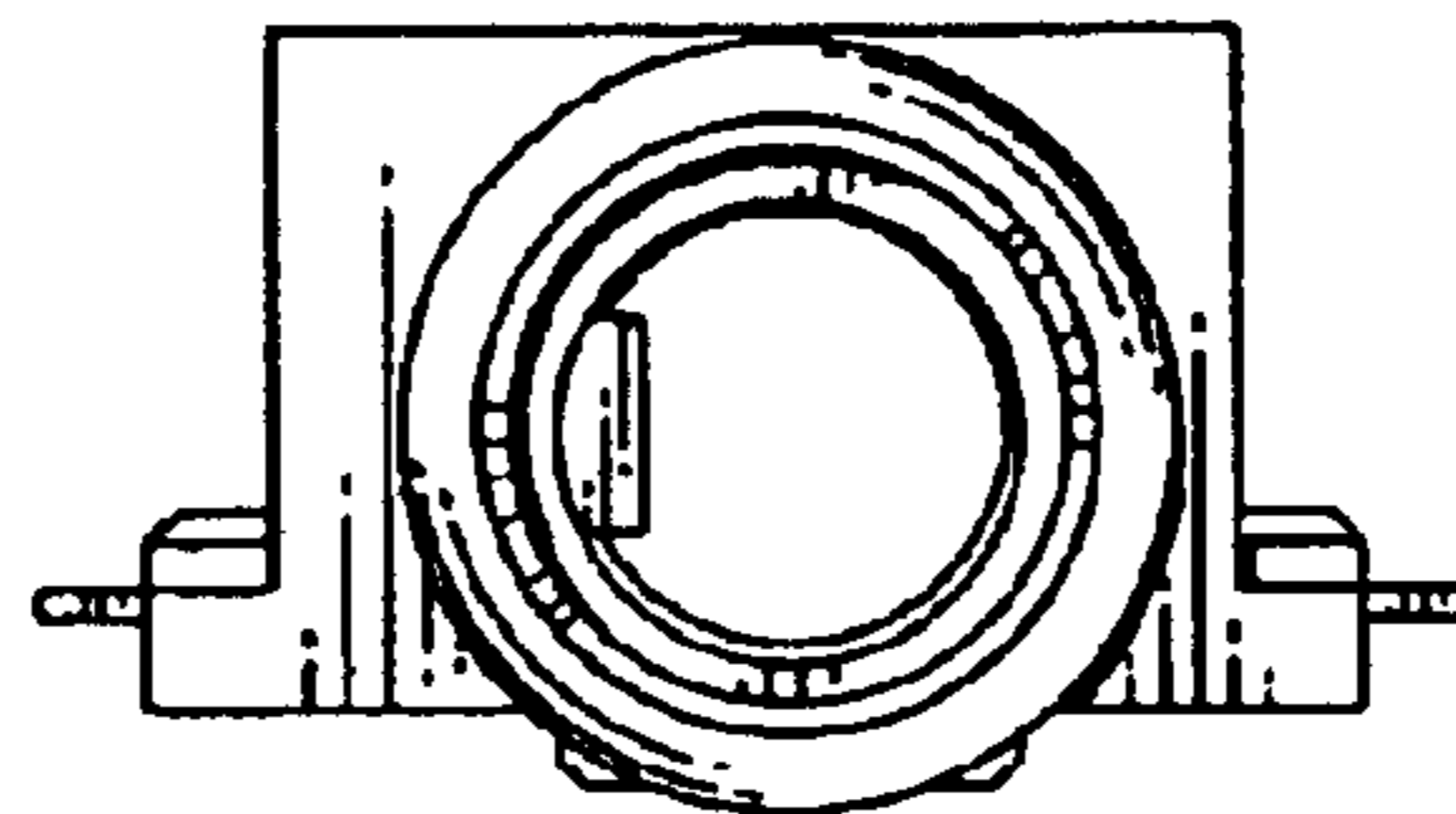


Fig. 3

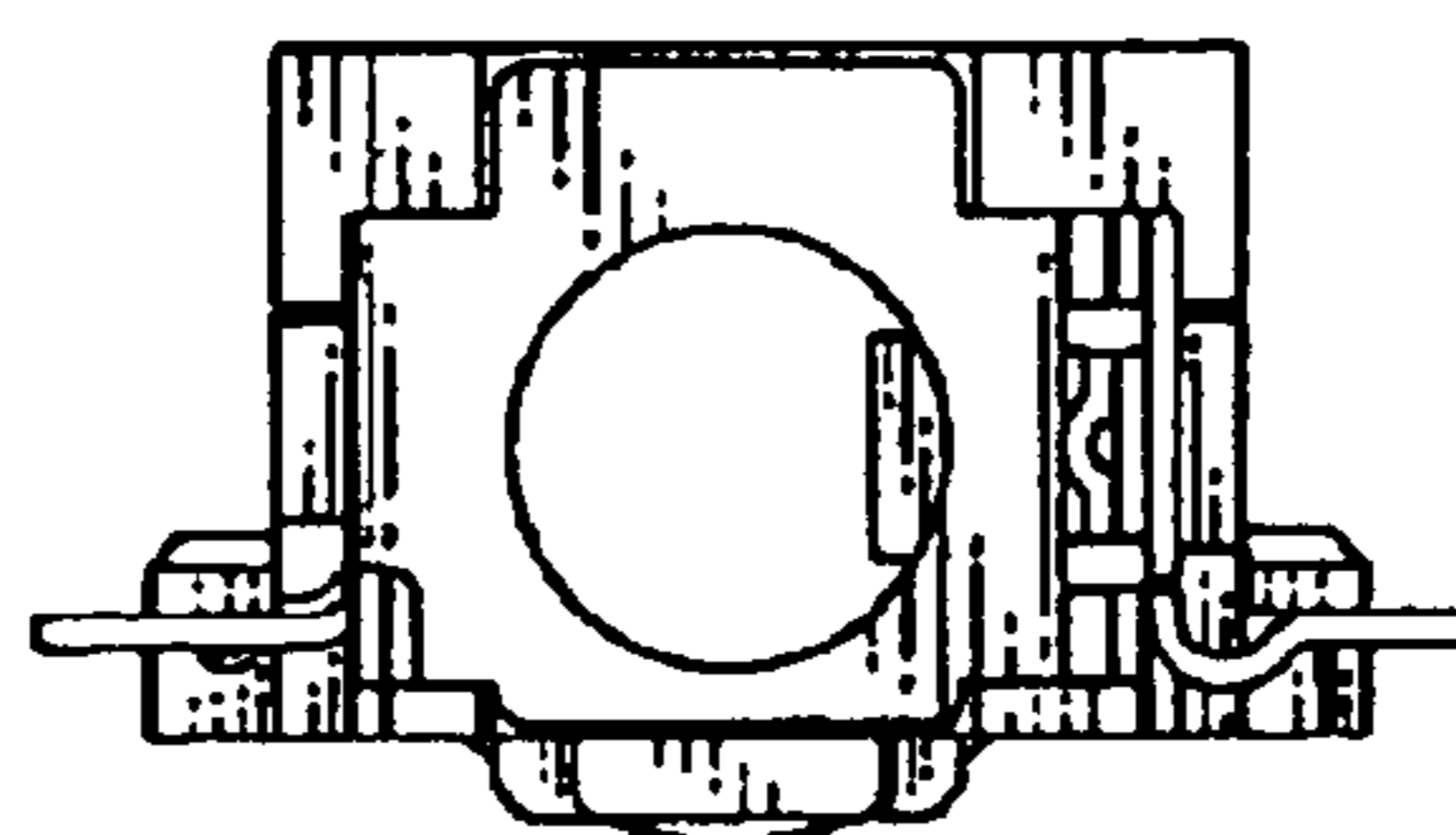


Fig. 4

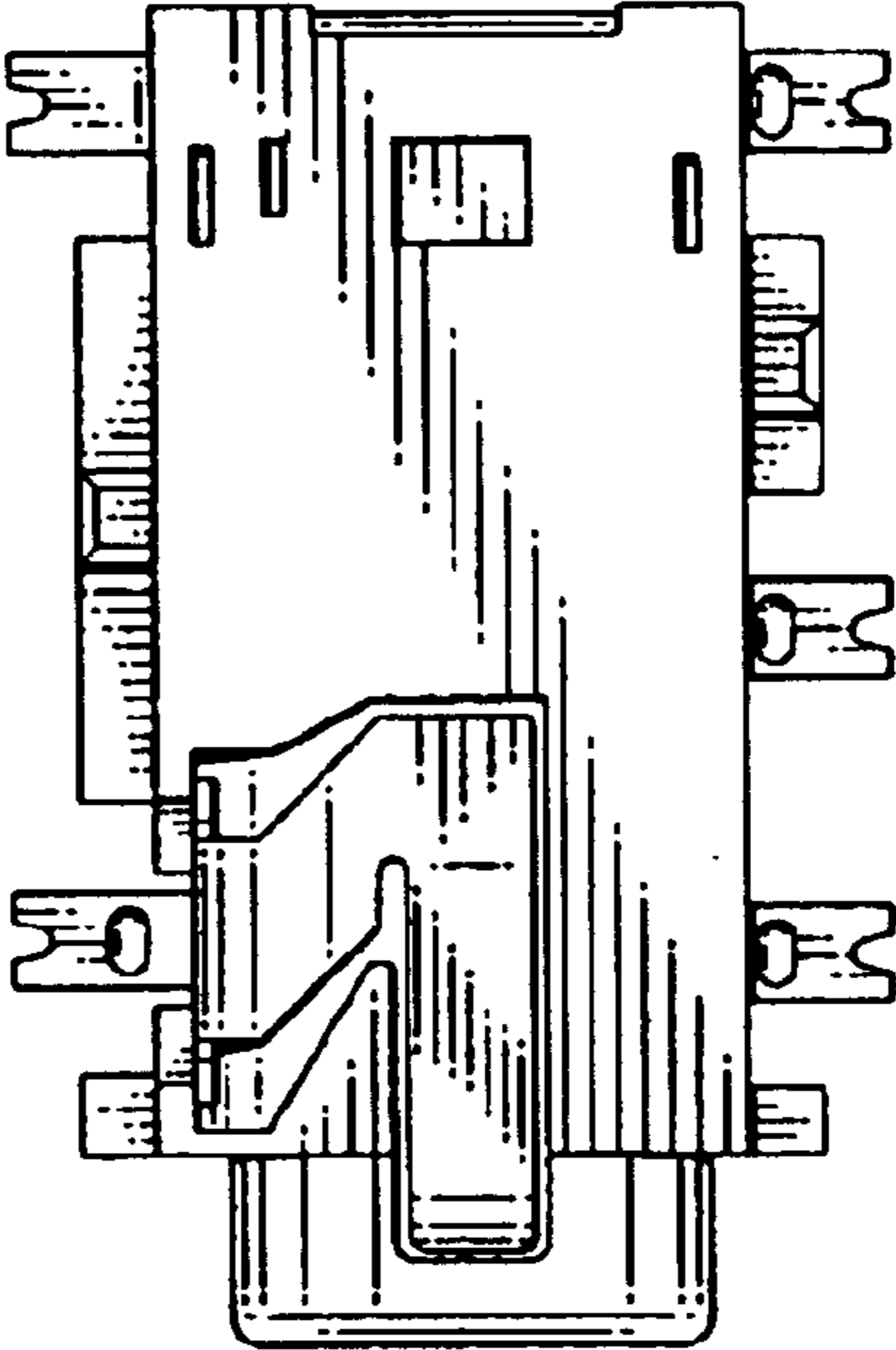


Fig. 5

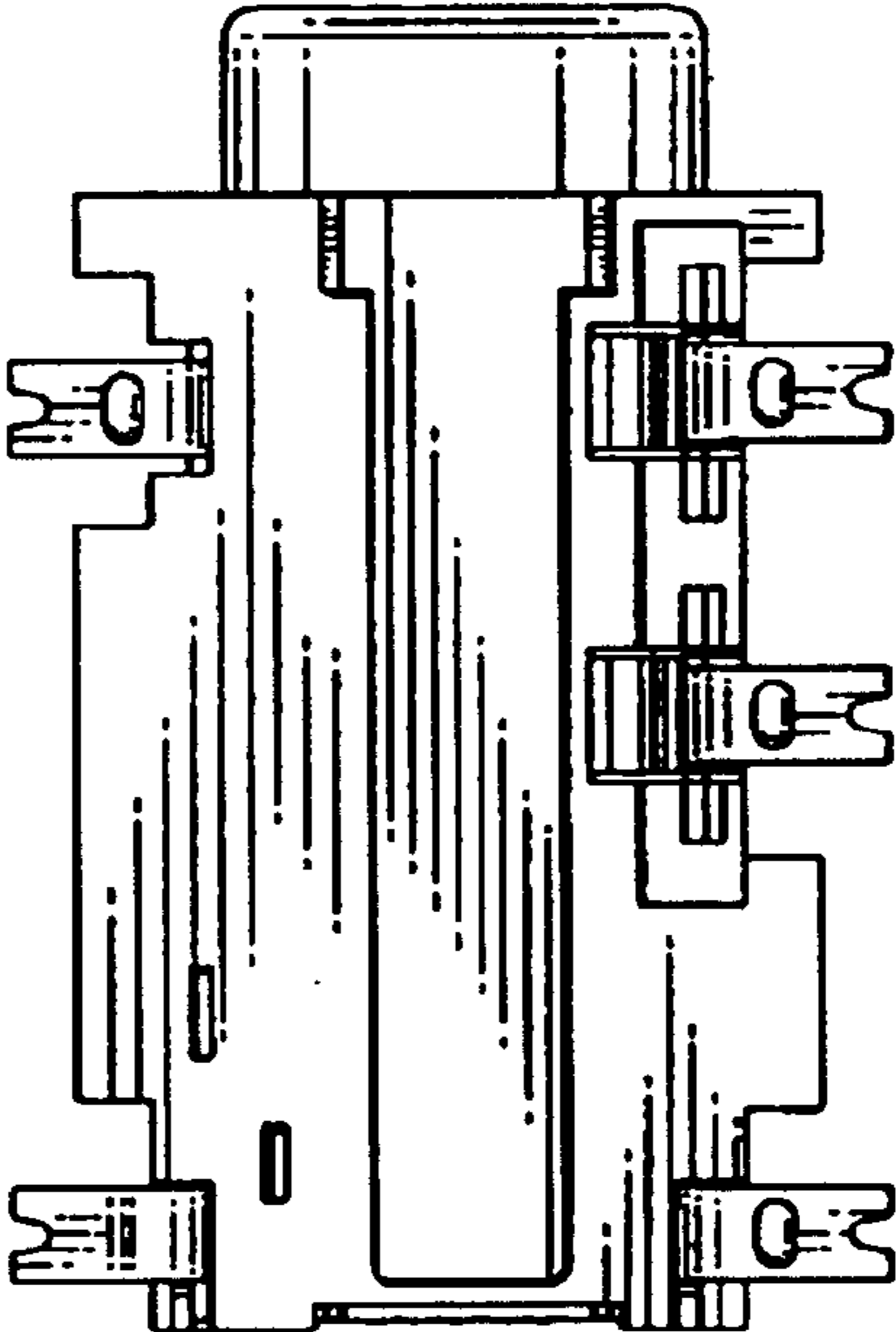


Fig. 6

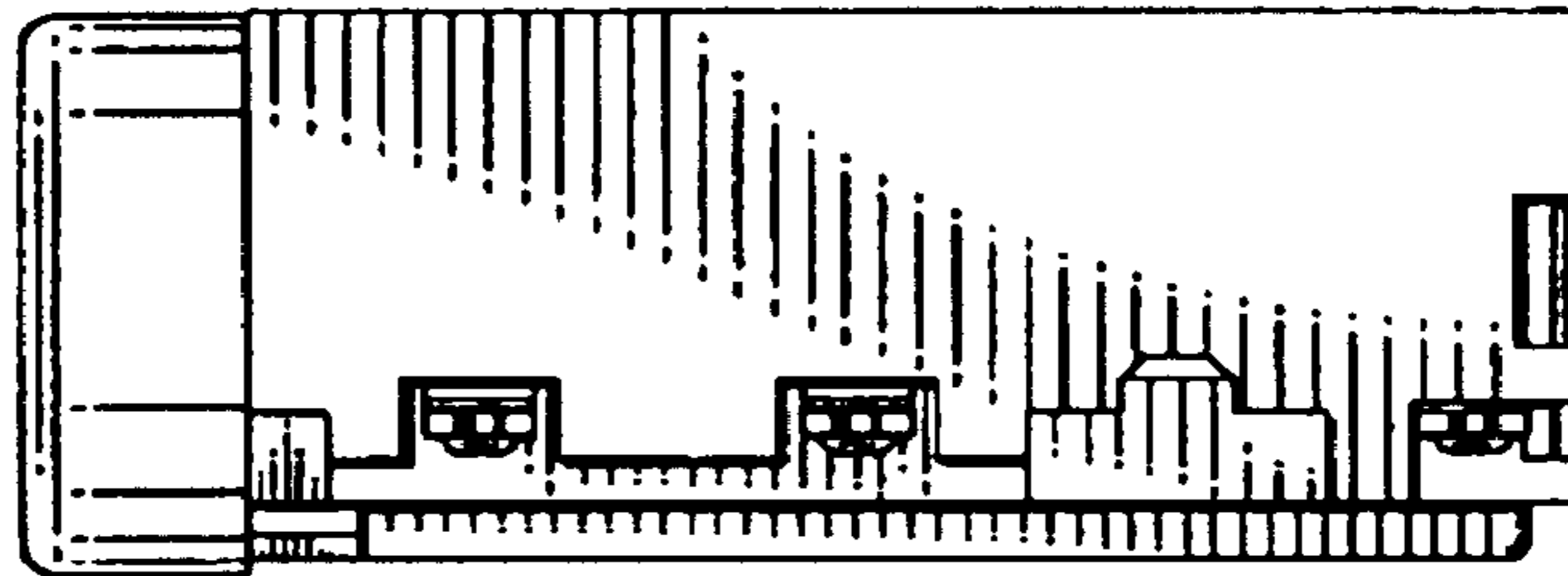


Fig. 7

