



US00D513353S

(12) **United States Design Patent**
Pederson

(10) **Patent No.:** **US D513,353 S**

(45) **Date of Patent:** **** Dec. 27, 2005**

- (54) **SCOOTER PLATFORM**
- (75) Inventor: **Scott Lane Pederson**, Owatonna, MN
(US)
- (73) Assignee: **The Prophet Corp.**, Owatonna, MN
(US)
- (**) Term: **14 Years**
- (21) Appl. No.: **29/180,520**
- (22) Filed: **Apr. 24, 2003**
- (51) **LOC (6) Cl.** **12-05**
- (52) **U.S. Cl.** **D34/28**
- (58) **Field of Search** D34/28, 23, 18,
D34/38; 280/79.11, 32.6, 79.2, 79.5

- D356,412 S * 3/1995 Hensley, Jr. D34/23
- 5,445,396 A * 8/1995 Sebor 280/33.998
- D367,140 S 2/1996 Reese
- 5,524,915 A 6/1996 Liu
- 5,527,051 A 6/1996 Plaza
- 5,551,715 A 9/1996 Pickard
- D378,154 S * 2/1997 Presnell D34/23
- 5,632,497 A * 5/1997 Murray 280/47.35
- D381,171 S * 7/1997 Culverson D34/23
- D389,973 S * 1/1998 Murray D34/23
- D390,314 S * 2/1998 Chen D34/23
- 5,810,376 A 9/1998 Matheny
- 5,863,053 A 1/1999 Berry
- D414,305 S * 9/1999 Rohn et al. D32/31
- 5,947,489 A 9/1999 Tucker
- 5,947,495 A 9/1999 Null et al.
- 5,957,482 A 9/1999 Shorter
- 5,992,865 A 11/1999 Vargas
- 6,095,348 A 8/2000 Karashima
- 6,199,880 B1 3/2001 Favorito et al.
- 6,213,484 B1 4/2001 Rohner
- 6,276,700 B1 8/2001 Way et al.
- 6,419,248 B1 7/2002 Kay
- D461,614 S * 8/2002 Liu D34/23
- 6,550,794 B1 * 4/2003 Spindel et al. 280/79.11
- 6,561,530 B2 * 5/2003 Carbonero 280/87.041
- D494,335 S * 8/2004 Oberg D34/23
- D503,838 S * 4/2005 Archambault D34/23
- 6,893,032 B2 * 5/2005 Kershaw 280/79.5

(56) **References Cited**

U.S. PATENT DOCUMENTS

- 1,052,722 A 2/1913 Hegel
- 1,267,050 A 5/1918 Brigel
- 1,510,585 A 10/1924 Cushing, Sr. et al.
- 1,607,771 A 11/1926 Miller
- 2,219,905 A 10/1940 Pickman
- 2,246,628 A 6/1941 Heckman
- 2,288,568 A 6/1942 Holmes
- 2,351,293 A * 6/1944 Saunders 482/147
- 2,932,528 A * 4/1960 Miller et al. 280/79.2
- 3,094,340 A * 6/1963 Richardson et al. 280/35
- 3,197,227 A 7/1965 Anselmo
- 3,339,939 A 9/1967 Bowers
- 3,374,000 A 3/1968 Wetzel
- 3,604,722 A 9/1971 Boley
- 3,633,774 A 1/1972 Lee
- 3,705,730 A 12/1972 Bergsland
- 3,822,069 A 7/1974 Hoff
- 3,870,334 A 3/1975 Cole
- 3,921,239 A 11/1975 Sovia et al.
- 3,944,258 A 3/1976 Christensen
- 4,002,352 A 1/1977 Hager
- 4,129,315 A 12/1978 McCallum
- 4,203,609 A 5/1980 Mitchell et al.
- D266,100 S 9/1982 Miller
- 5,052,703 A 10/1991 Bertrand
- 5,106,109 A 4/1992 Tattersall et al.

* cited by examiner

Primary Examiner—Cynthia E. Ramirez

(74) *Attorney, Agent, or Firm*—Merchant & Gould P.C.

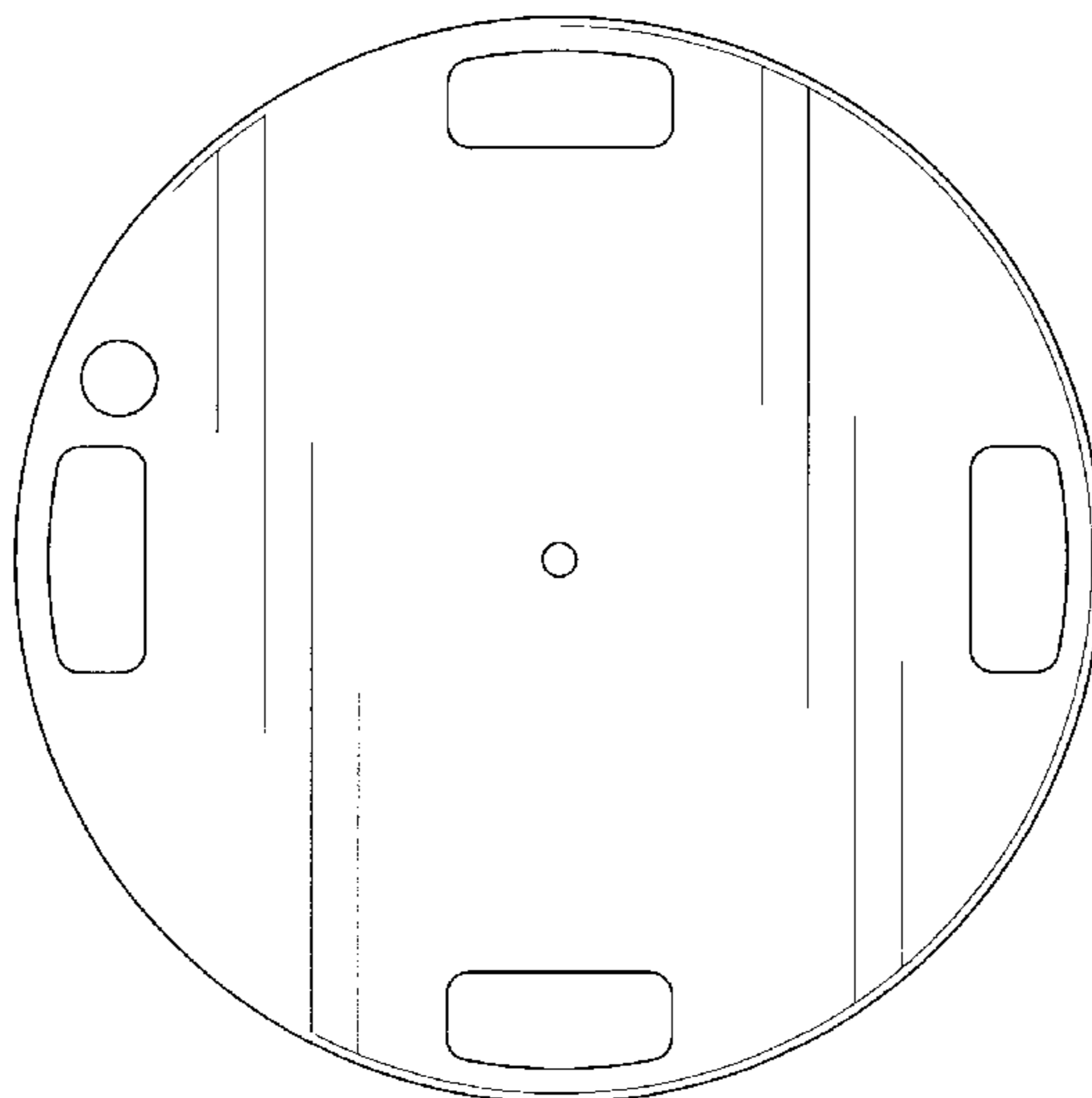
(57) **CLAIM**

The ornamental design for a scooter platform, as shown and described.

DESCRIPTION

FIG. 1 is a front view of a scooter platform according to the invention;
FIG. 2 is a left side view of the scooter platform of FIG. 1; the right side view of the scooter platform being a mirror image; and,
FIG. 3 is a back view of the scooter platform of FIG. 1.

1 Claim, 2 Drawing Sheets



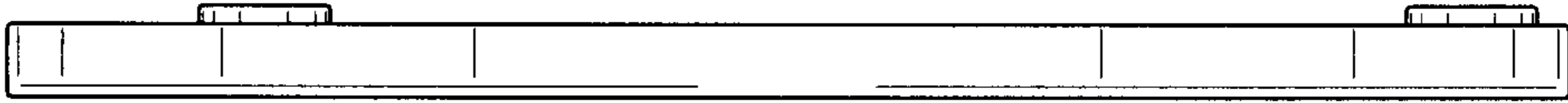


FIG. 2

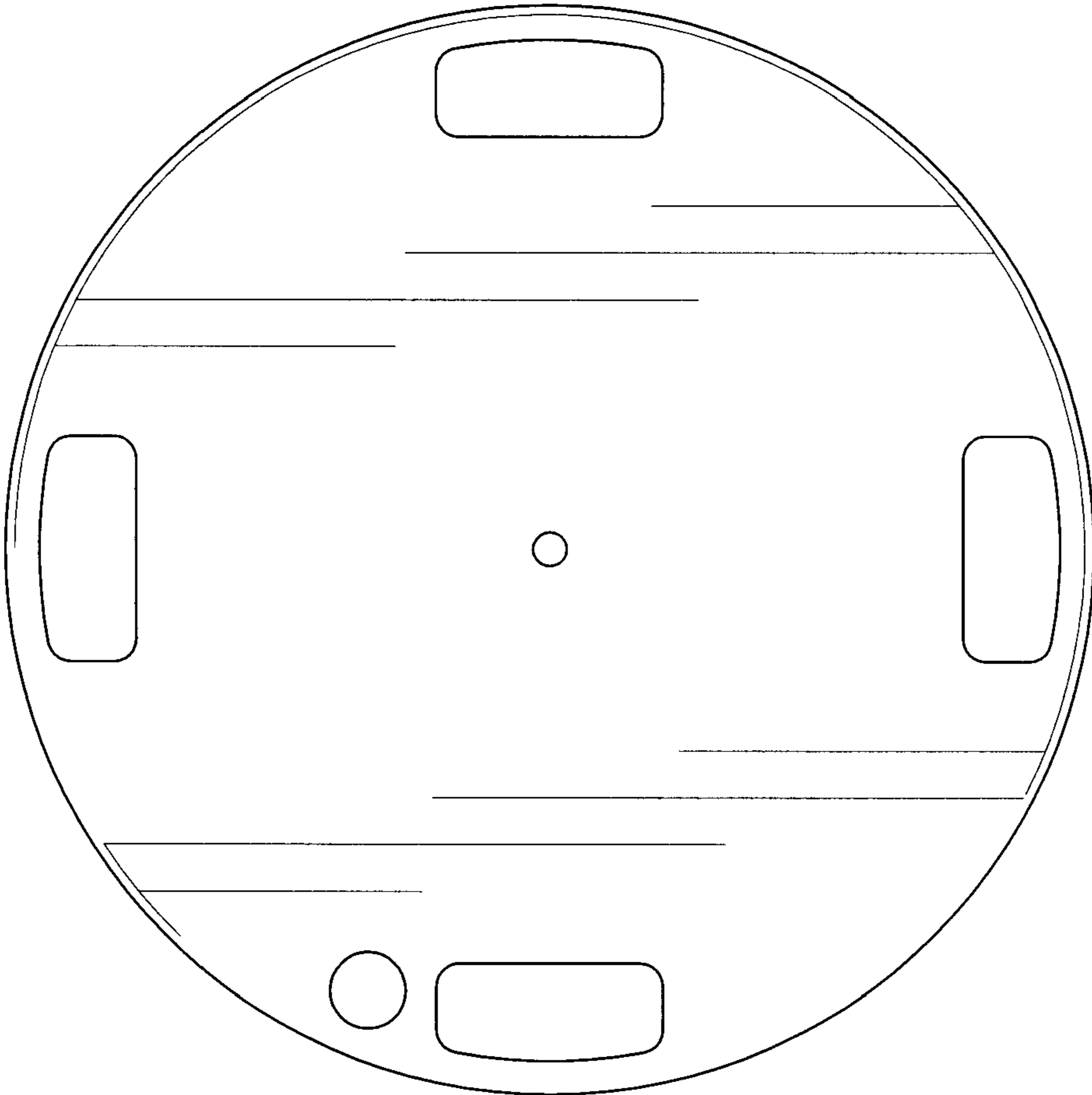


FIG. 1

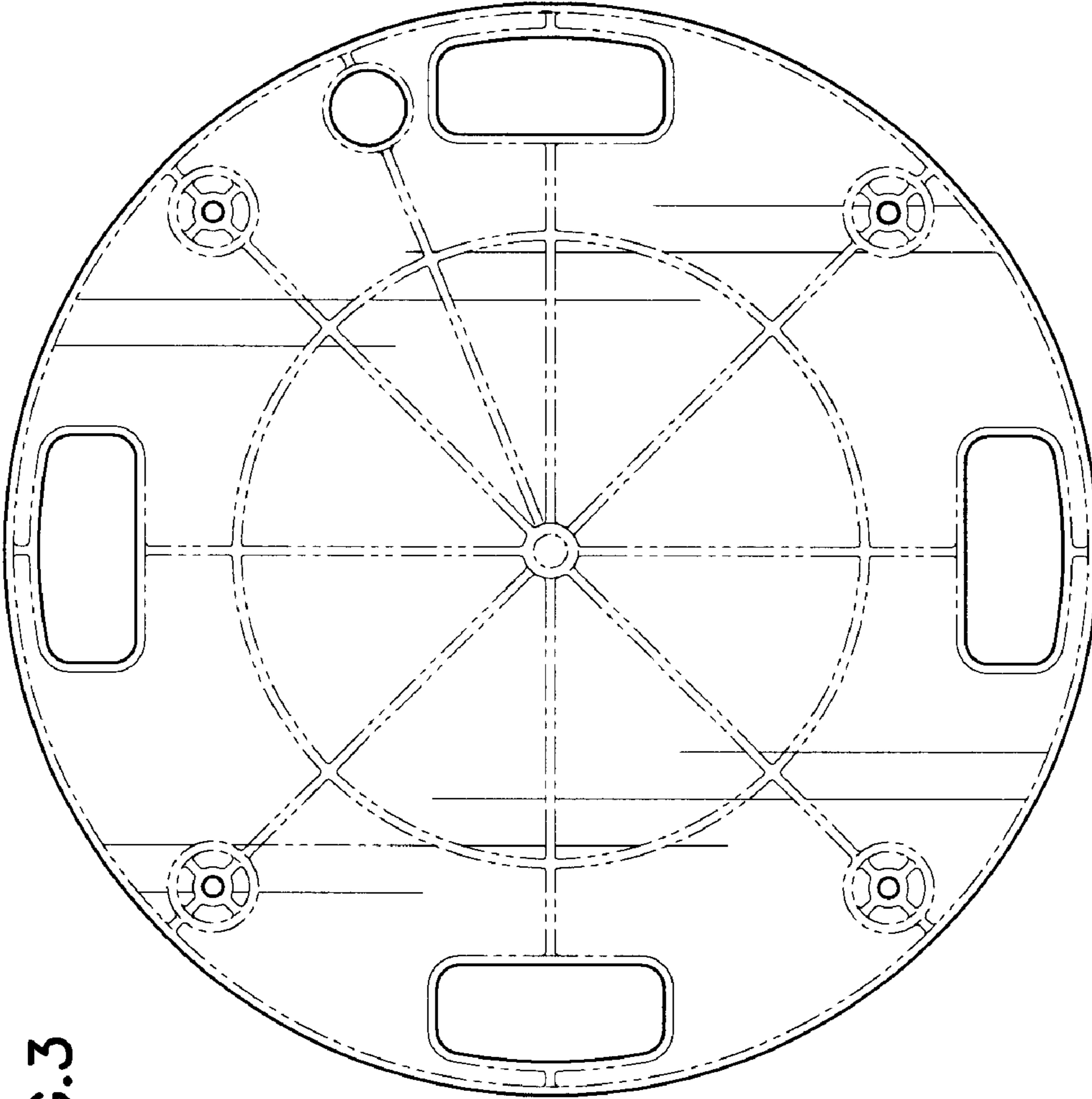


FIG.3