



US00D513350S

(12) **United States Design Patent** (10) **Patent No.:** **US D513,350 S**
Jäger (45) **Date of Patent:** **** Dec. 27, 2005**

(54) **CHEW TOY FOR ANIMALS**

(75) Inventor: **Claudius Jäger**, Boulder, CO (US)

(73) Assignee: **Artemis Rubber Technology Inc.**,
Longmont, CO (US)

(**) Term: **14 Years**

(21) Appl. No.: **29/218,039**

(22) Filed: **Nov. 24, 2004**

Related U.S. Application Data

(62) Division of application No. 29/192,782, filed on Oct. 30, 2003, now Pat. No. Des. 501,961.

(51) **LOC (6) Cl.** **30-99**

(52) **U.S. Cl.** **D30/160**

(58) **Field of Search** D30/160, 199;
D21/405-406, 408, 443, 474-476, 478-479,
483, 532, 662, 681-682, 707, 711, 713;
D24/193-195, 211-213; 119/702, 707-712,
719; 132/248-249, 268; 273/160; 446/85,
397, 418, 419; 483/612, 614; 601/118-120,
131, 139; 606/234, 236

(56) **References Cited**

U.S. PATENT DOCUMENTS

2,020,562 A	*	11/1935	Miller	D21/479
4,148,489 A	*	4/1979	Pidgeon	273/160
4,551,960 A	*	11/1985	Fleishman	52/655.1
4,673,308 A	*	6/1987	Reilly	403/172
5,803,782 A	*	9/1998	Selton	446/126
5,941,527 A	*	8/1999	Selton	273/160
6,634,318 B1	*	10/2003	Rucker	119/709

* cited by examiner

Primary Examiner—Cathy Anne MacCormac

(74) *Attorney, Agent, or Firm*—Robert W Becker & Associates; Robert W Becker

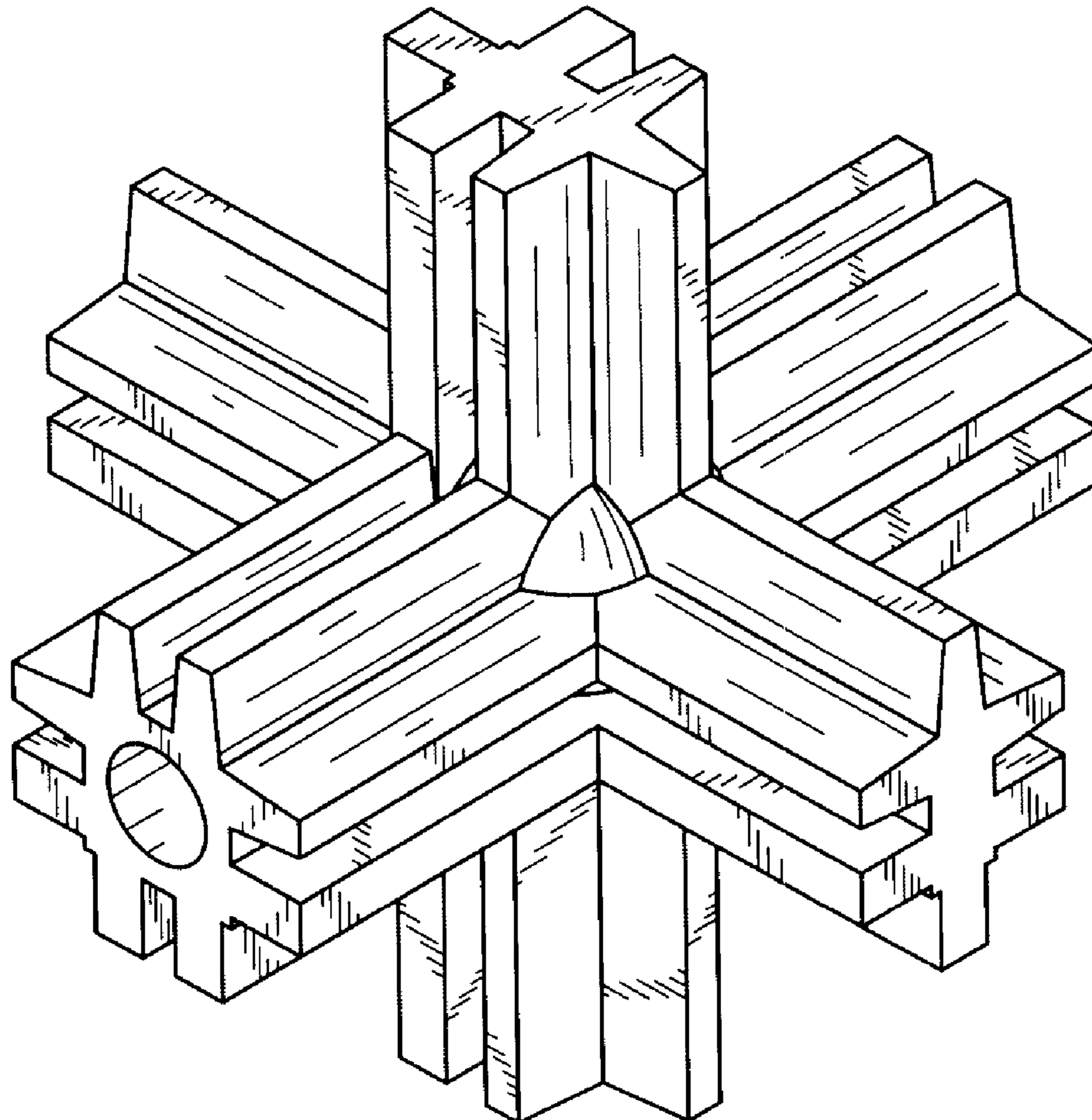
(57) **CLAIM**

The ornamental design for a chew toy for animals, as shown and described.

DESCRIPTION

FIG. 1 is a perspective view of a chew toy for animals; FIG. 2 is a front view thereof; FIG. 3 is a right side view thereof; and, FIG. 4 is a top view thereof.

1 Claim, 3 Drawing Sheets



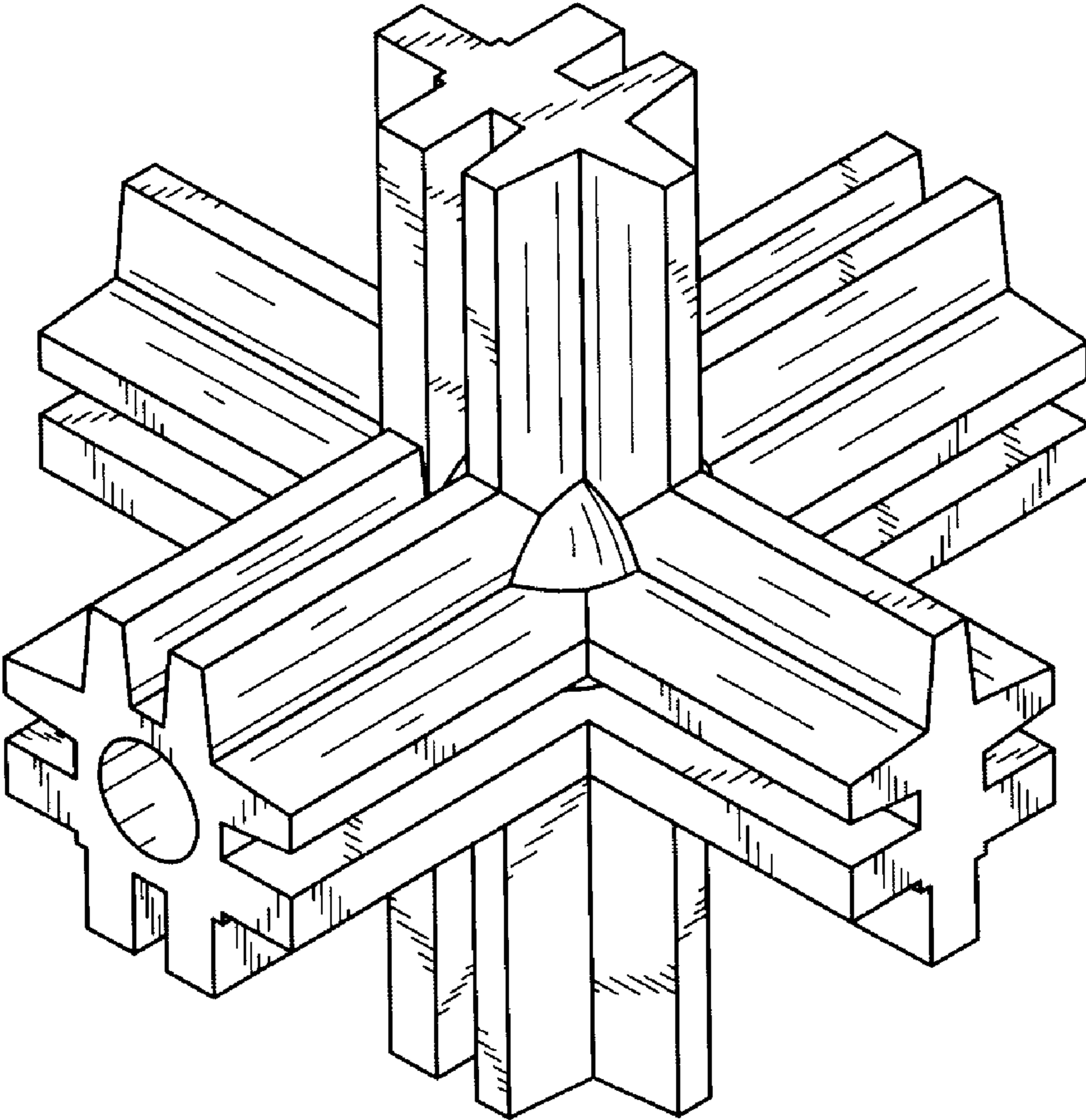


FIG.1

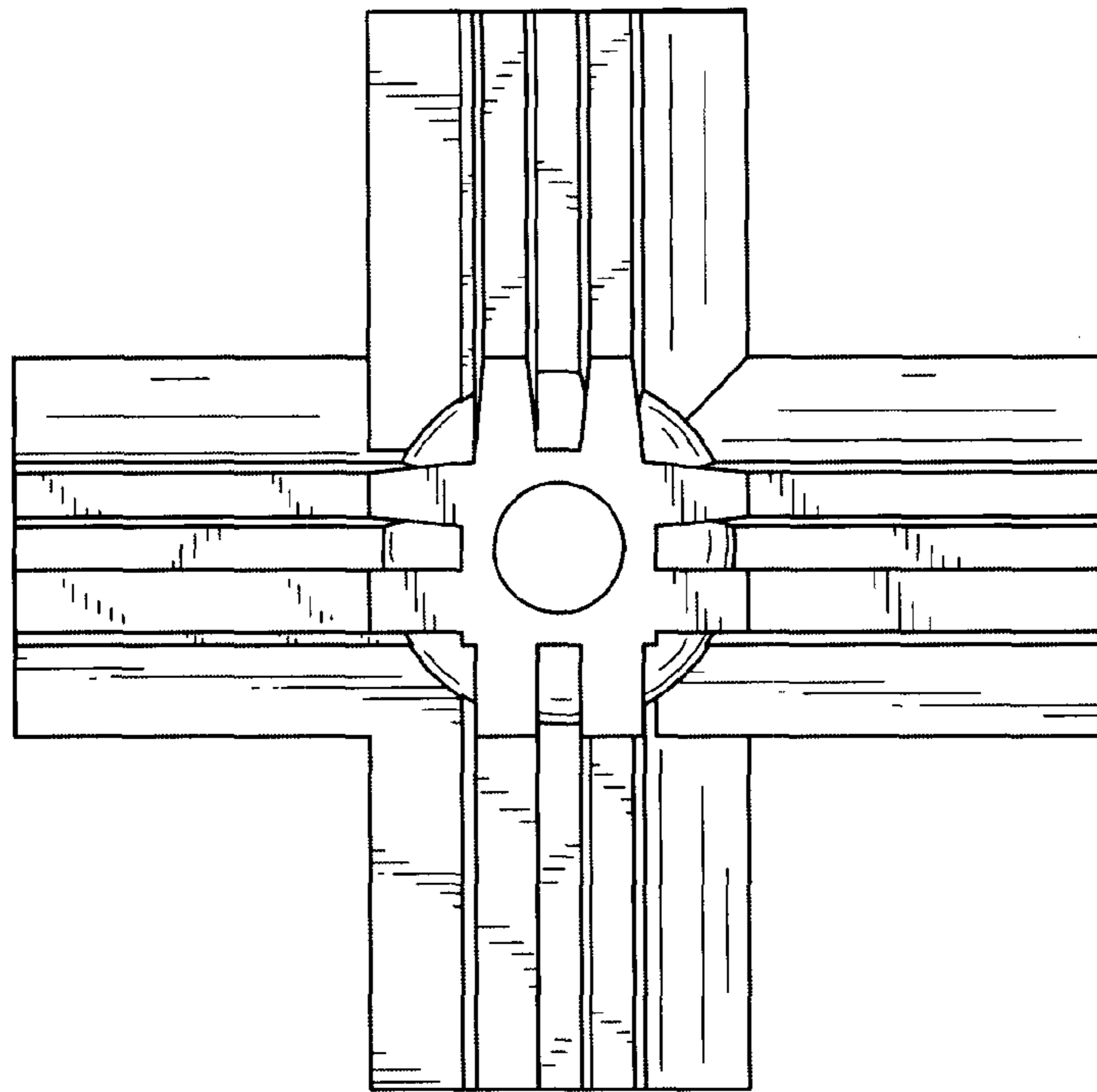


FIG. 2

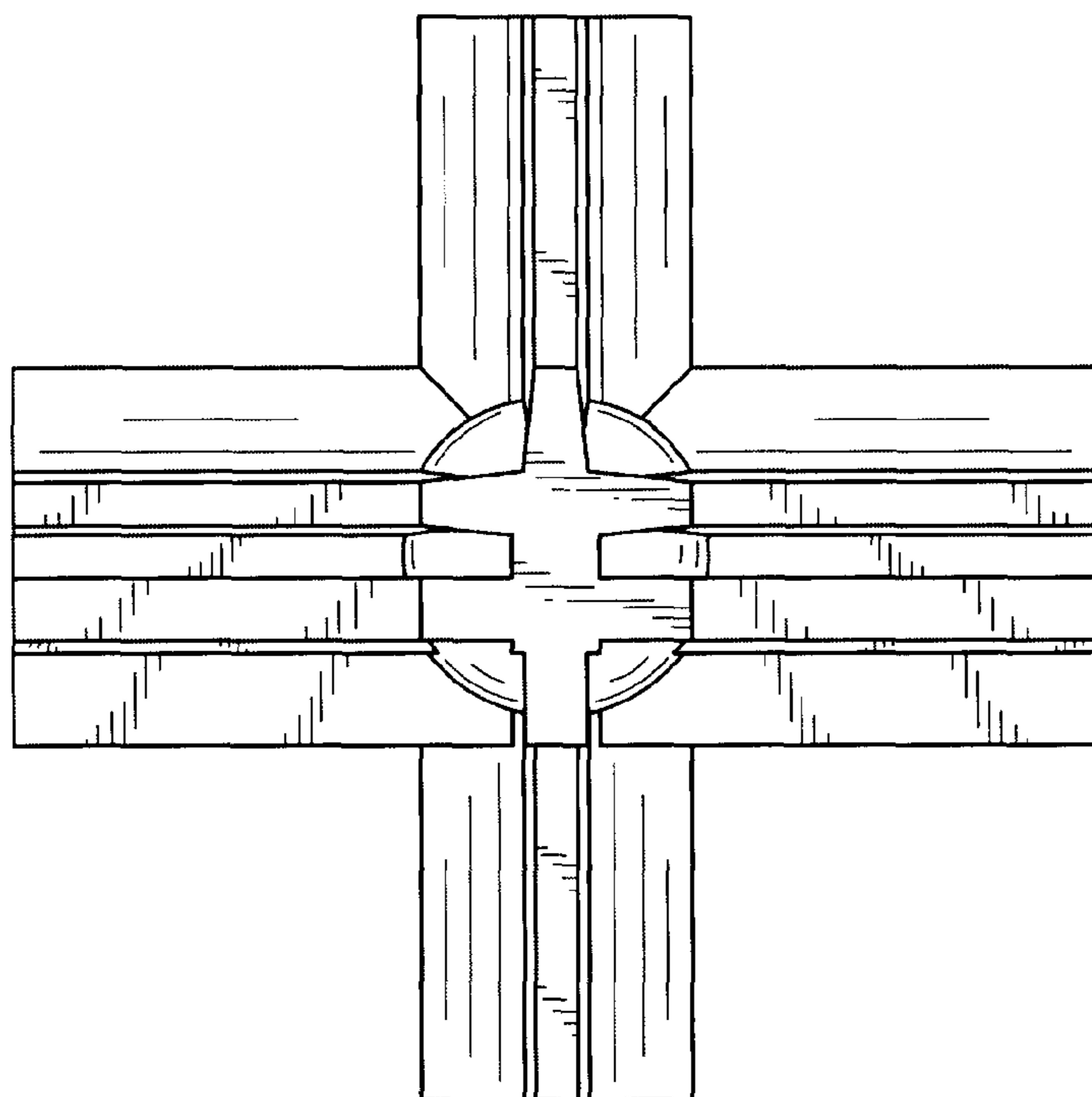


FIG. 3

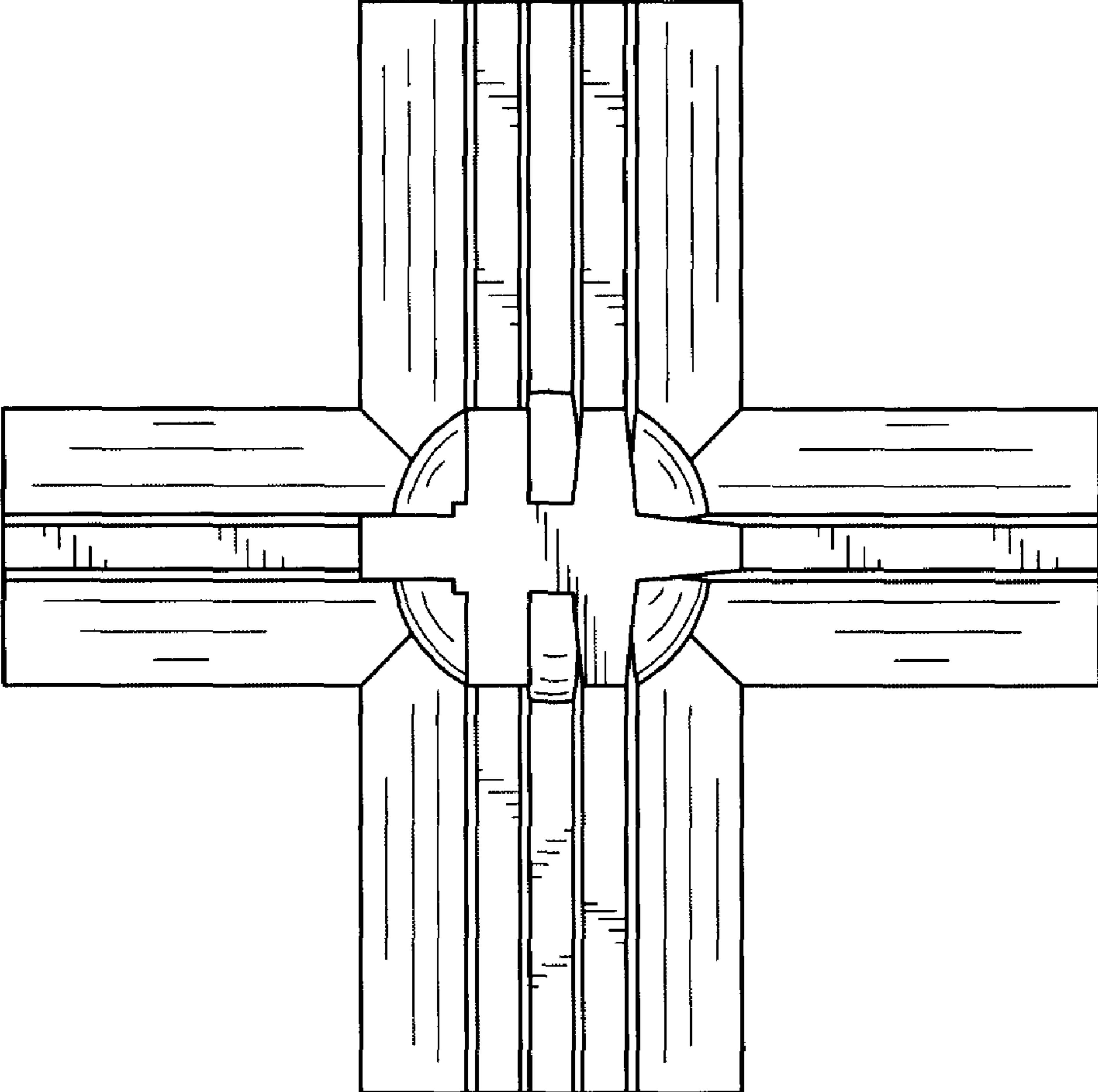


FIG.4