



US00D513336S

(12) **United States Design Patent**  
**Kung**

(10) **Patent No.:** **US D513,336 S**  
(45) **Date of Patent:** **\*\* Dec. 27, 2005**

(54) **LANTERN**

*Primary Examiner*—Marcus A. Jackson

(75) **Inventor:** **Kenneth Kung**, Hong Kong (CN)

(57) **CLAIM**

(73) **Assignees:** **Tung Fat Industries Limited**, Hong Kong (CH); **Dorcy International Inc.**, OH (US)

The ornamental design for a lantern, as shown and described.

(\*\*) **Term:** **14 Years**

**DESCRIPTION**

(21) **Appl. No.:** **29/218,138**

The claimed lantern is used for supplying illumination. FIG. 1 is a front elevational view of a lantern showing my new design;

(22) **Filed:** **Nov. 30, 2004**

FIG. 2 is a rear elevational view thereof;

(51) **LOC (6) Cl.** ..... **26-02**

FIG. 3 is a right side view thereof;

(52) **U.S. Cl.** ..... **D26/40**

FIG. 4 is a left side view thereof;

(58) **Field of Search** ..... D26/37-50; 362/157, 362/158, 171-174, 183-208

FIG. 5 is a top plan view thereof; and

FIG. 6 is a bottom plan view thereof;

FIG. 7 is a perspective view thereof;

(56) **References Cited**

**U.S. PATENT DOCUMENTS**

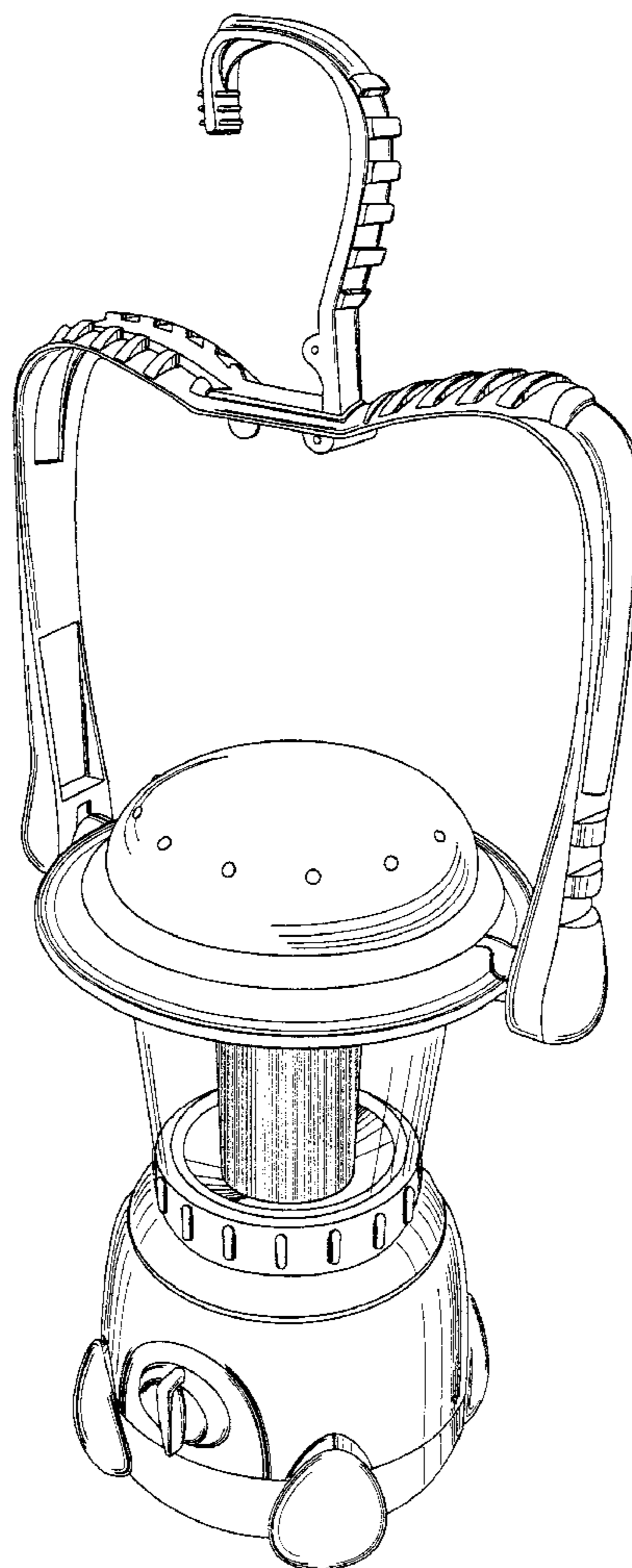
D485,928 S	*	1/2004	Leung et al.	.....	D26/40
D486,932 S	*	2/2004	Dario et al.	.....	D26/40
D487,809 S	*	3/2004	Leung et al.	.....	D26/40
D500,378 S	*	12/2004	Kung	.....	D26/40

FIG. 8 is a perspective view thereof with the hanger being pulled out from the handle; and,

FIG. 9 is a front elevational view thereof with the handle being pushed to the middle of the lantern body and turned upside down with the hanger pulled out for hanging.

\* cited by examiner

**1 Claim, 9 Drawing Sheets**



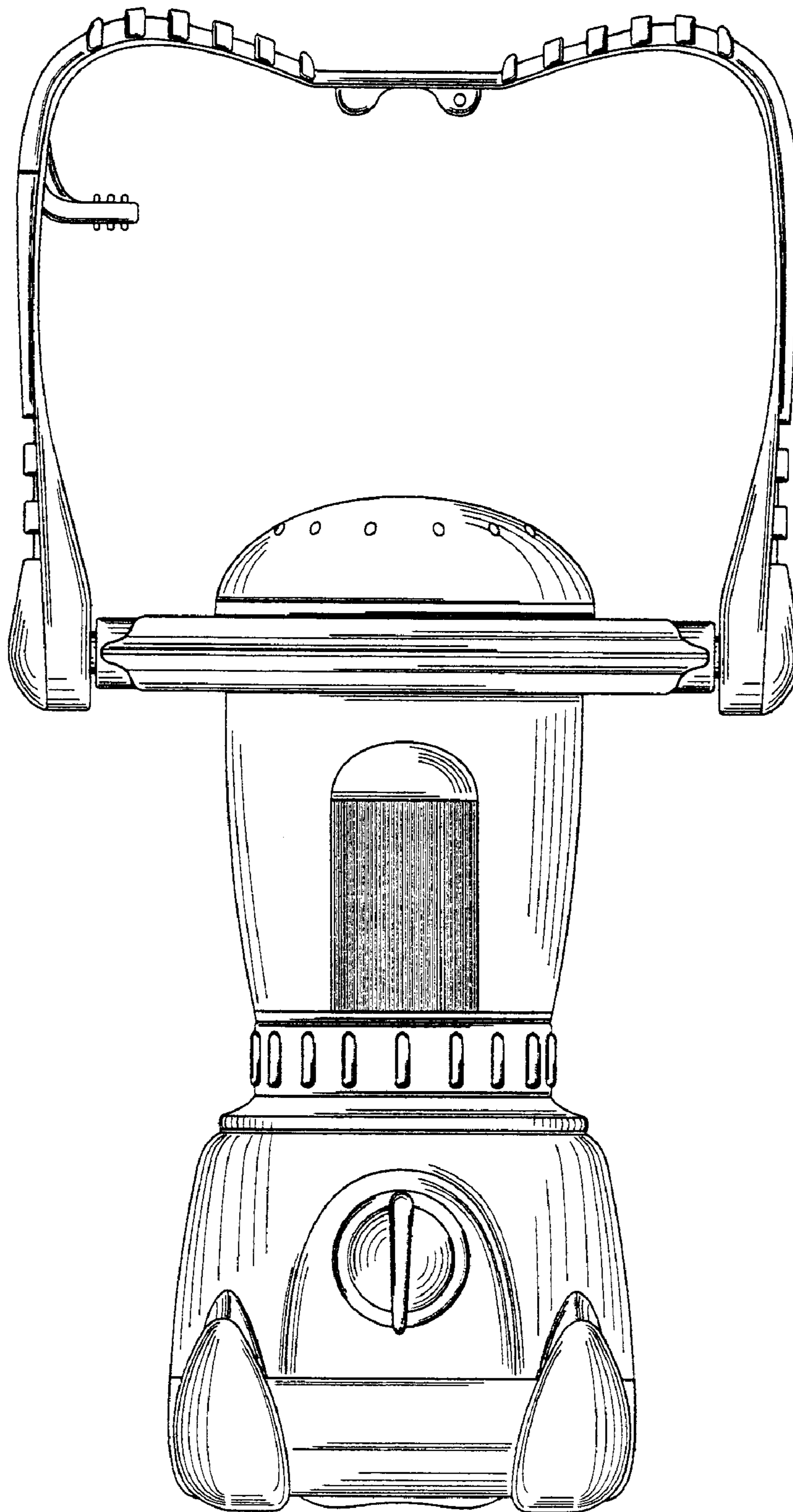


FIG. 1

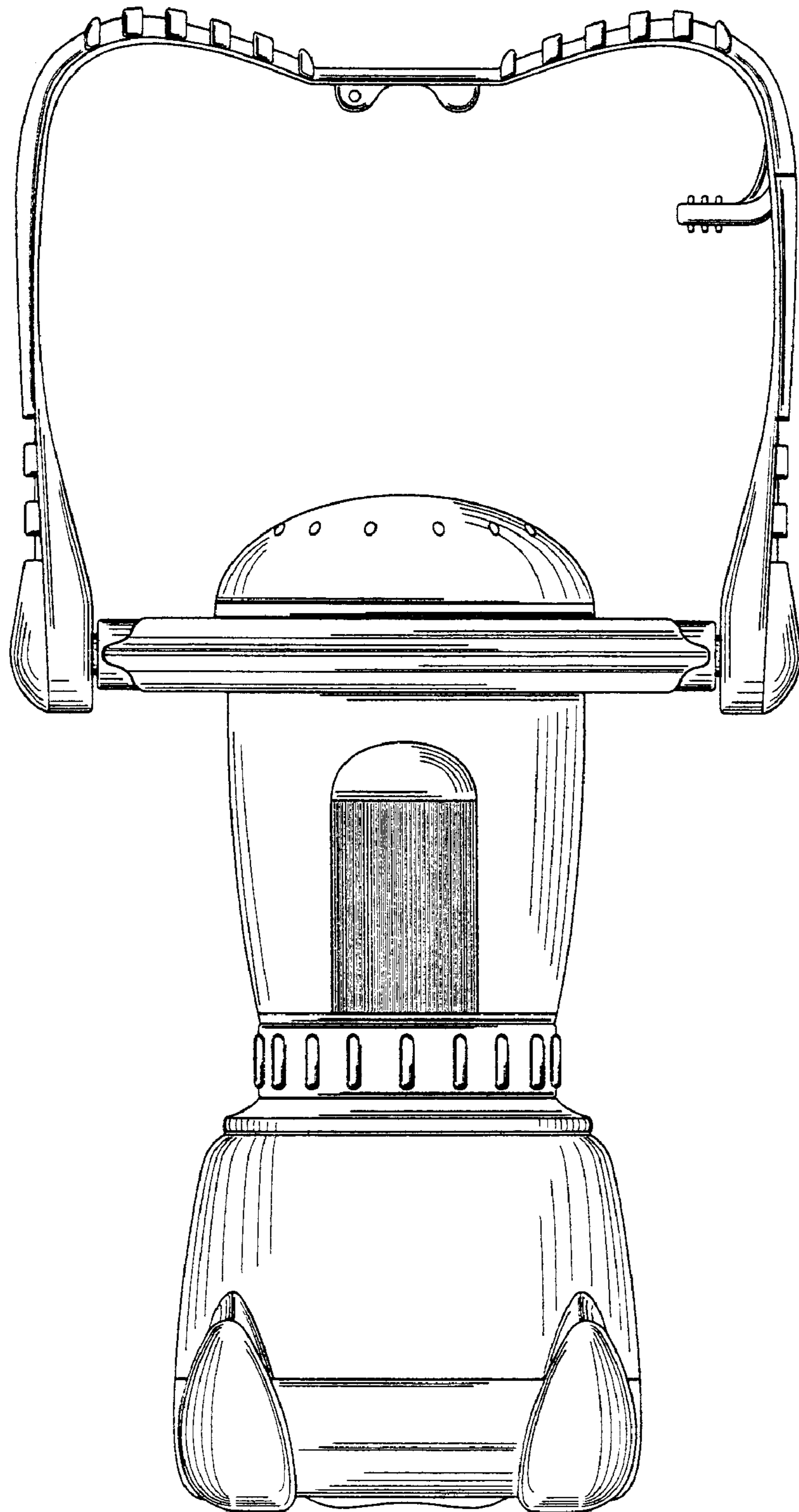


FIG. 2

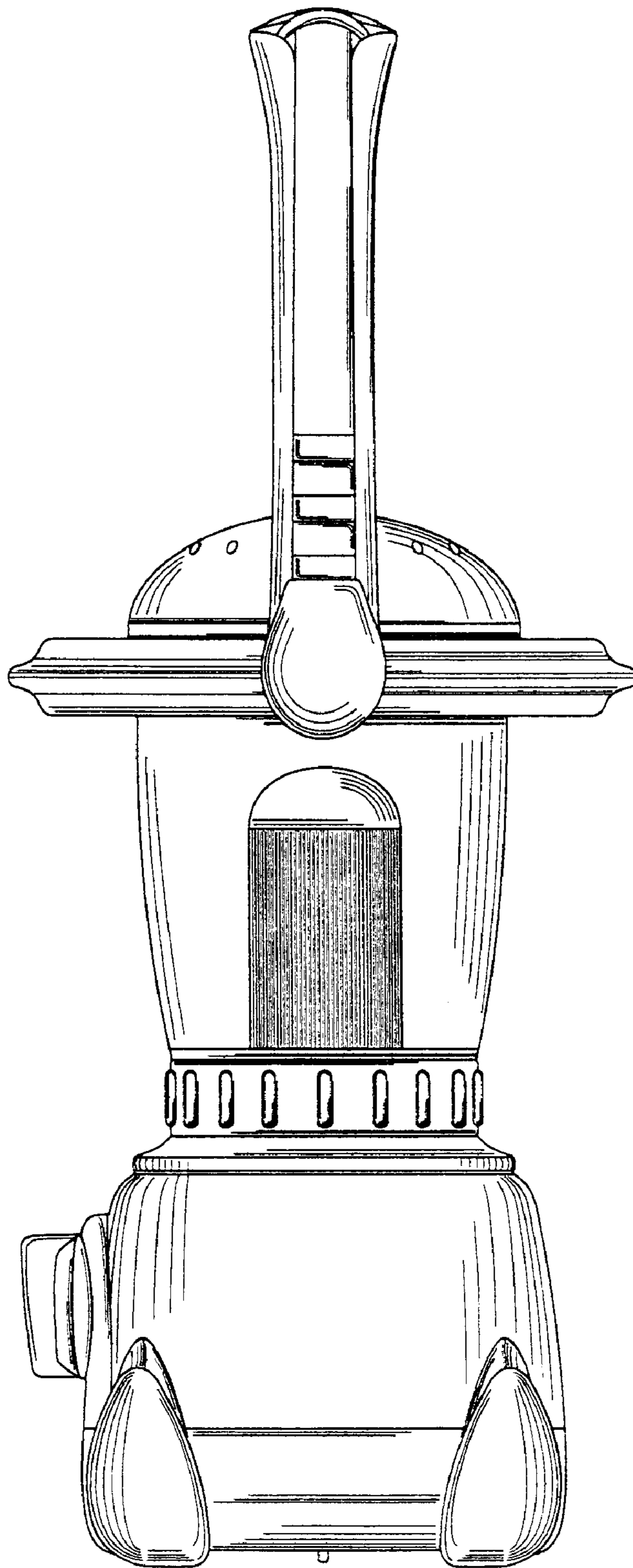


FIG. 3



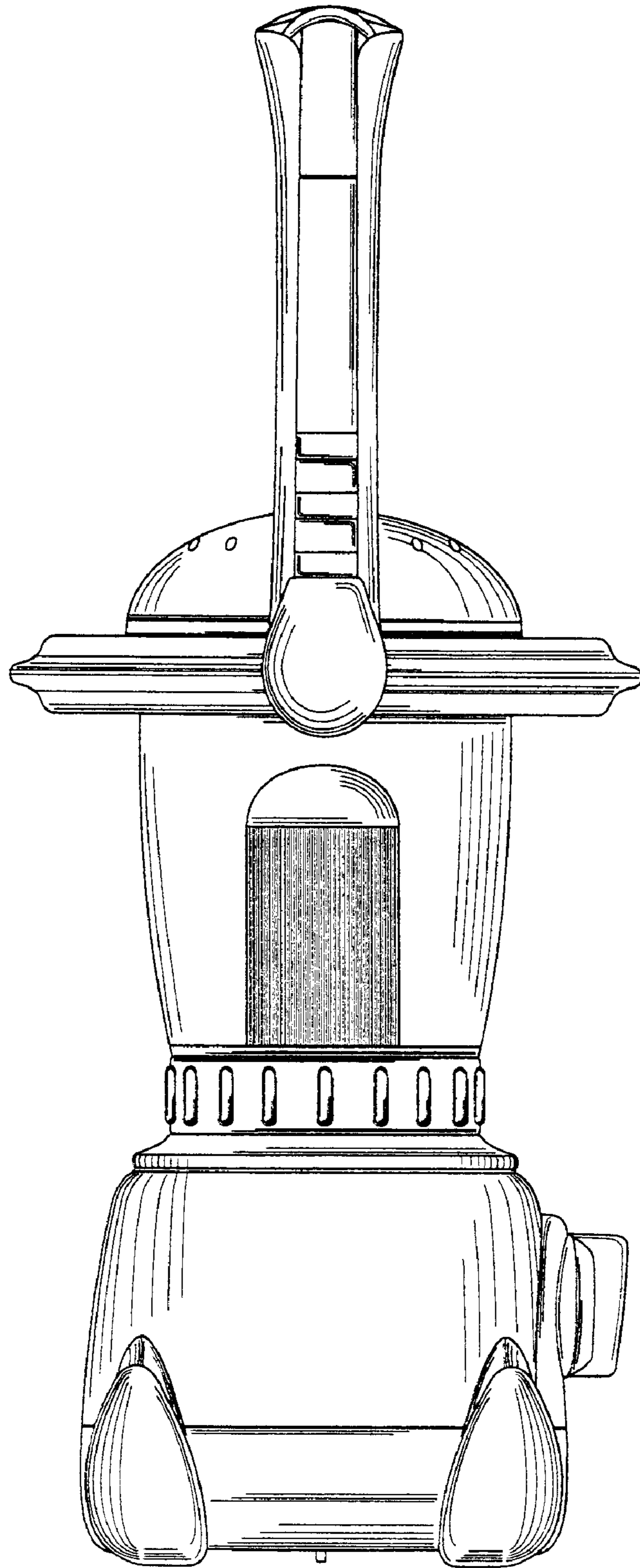


FIG. 4

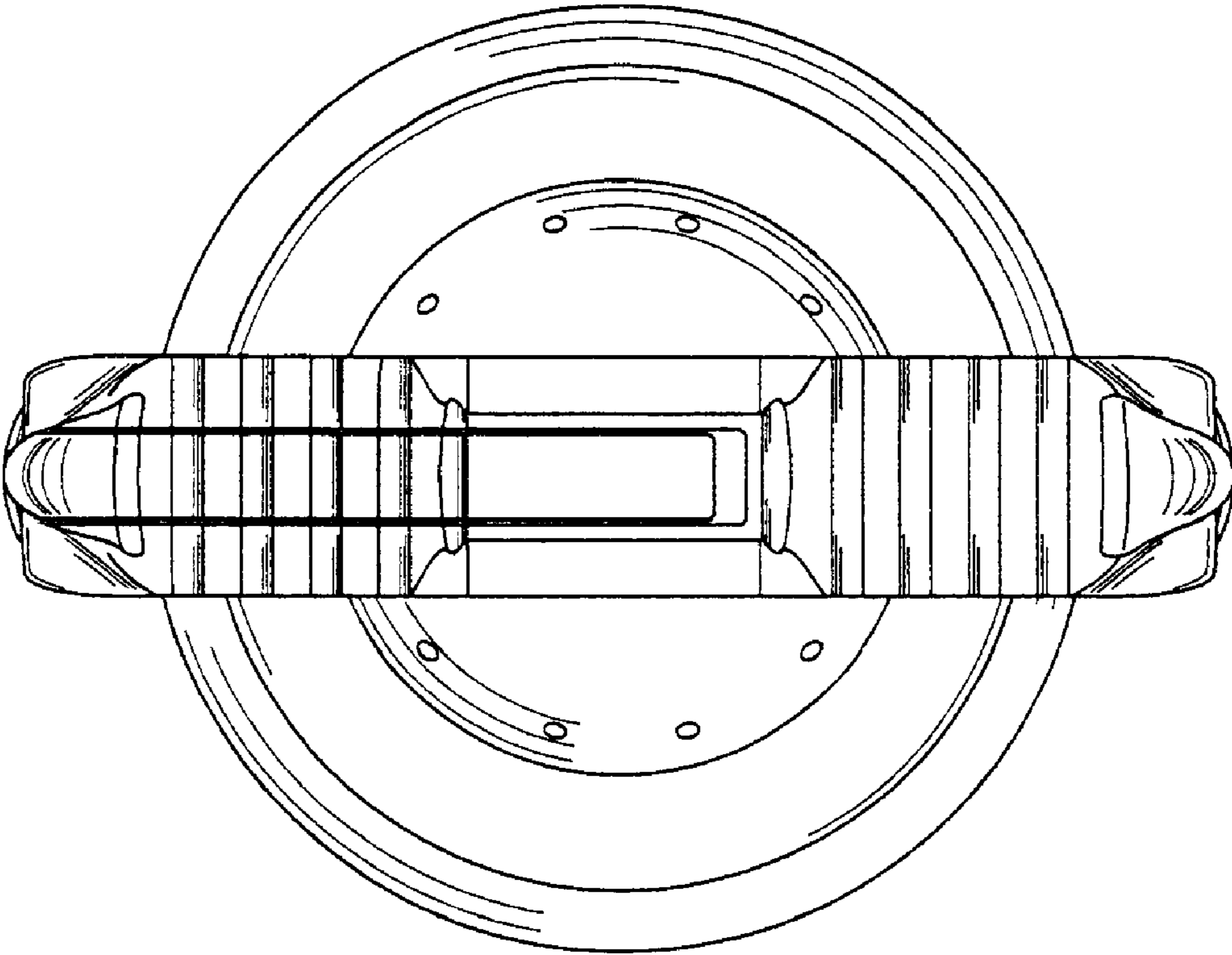


FIG. 5

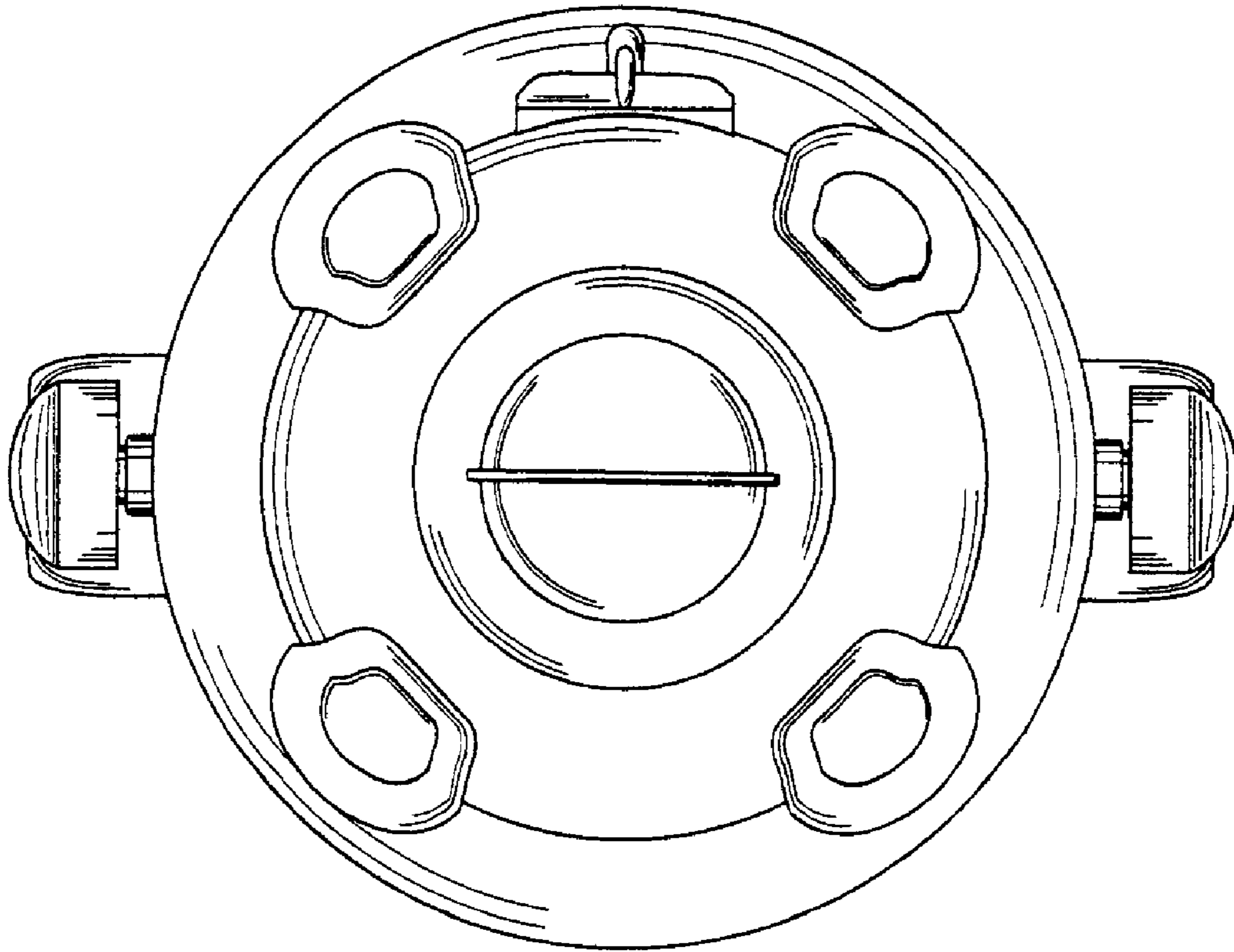


FIG. 6

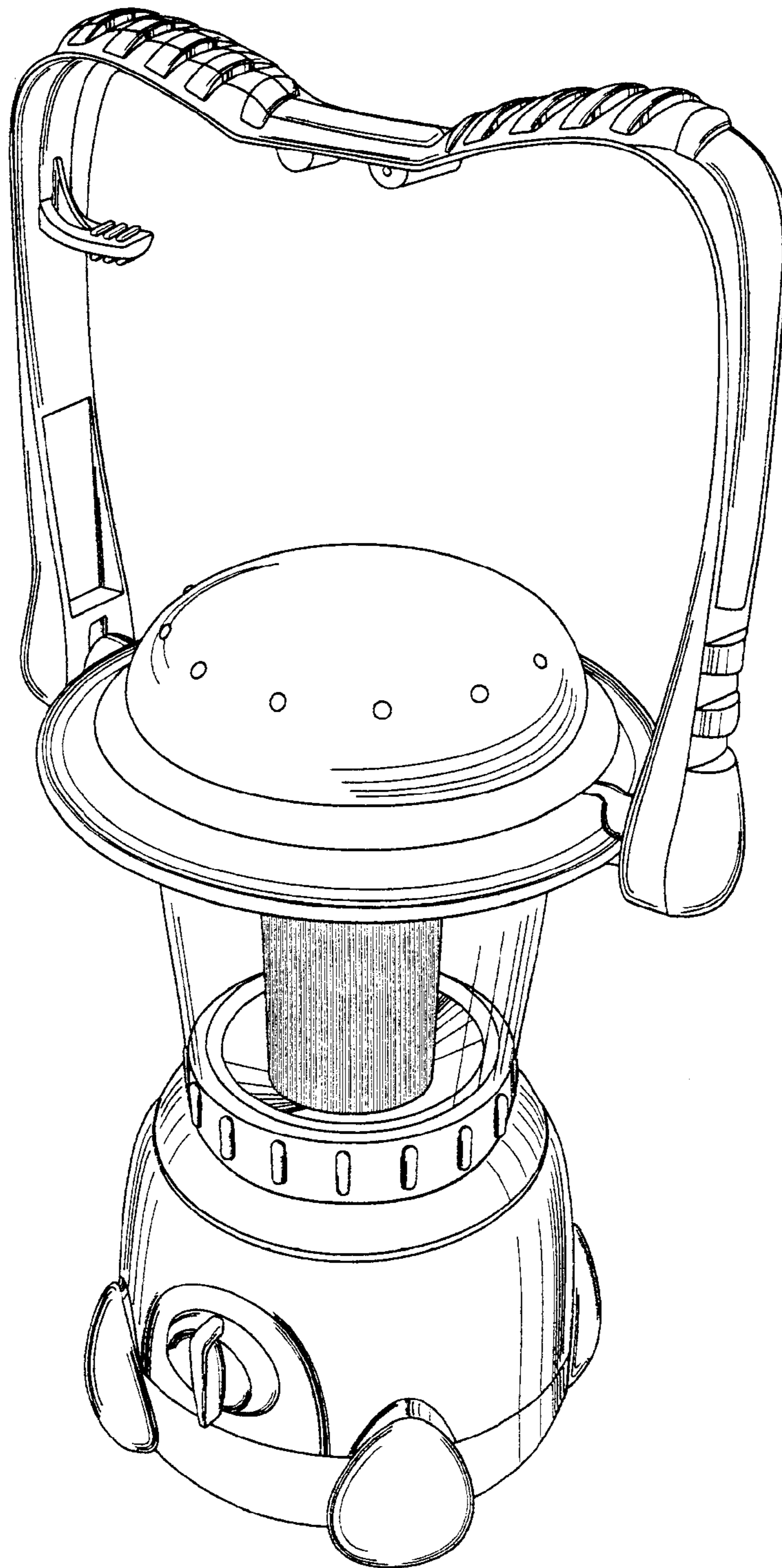


FIG. 7



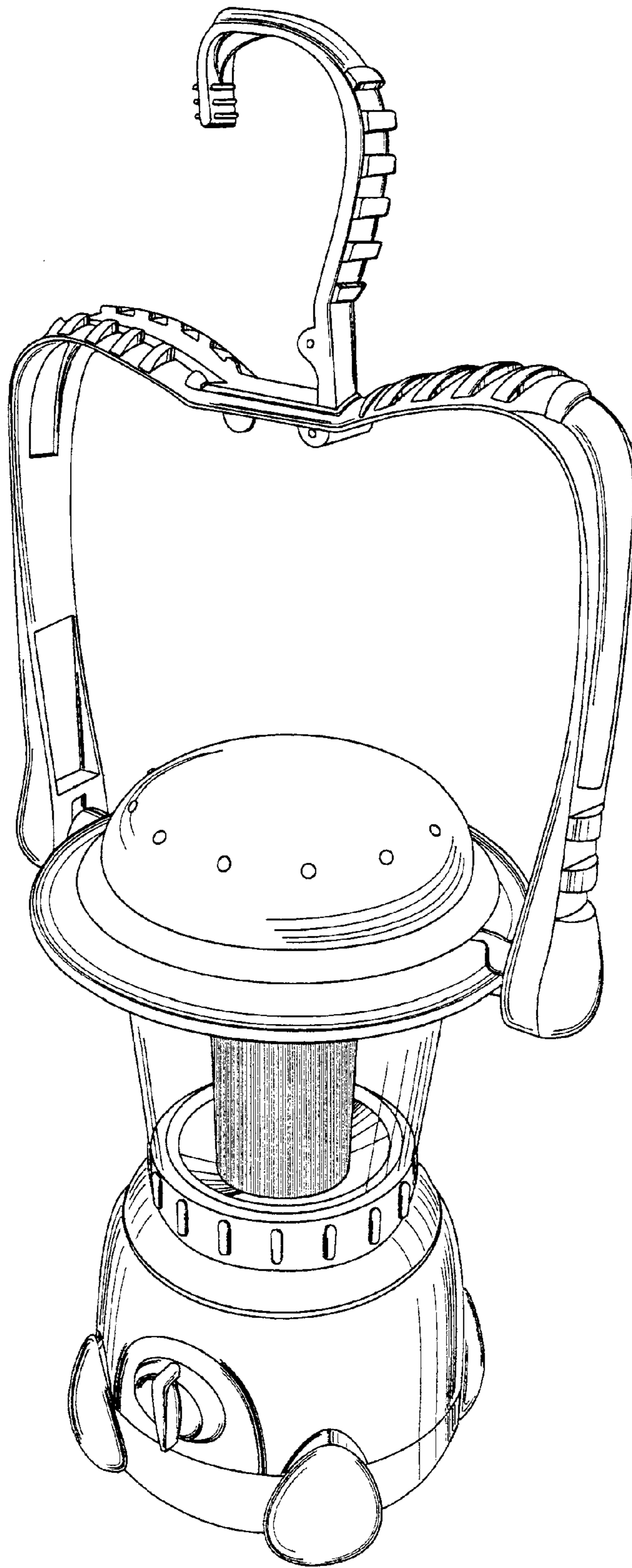


FIG. 8

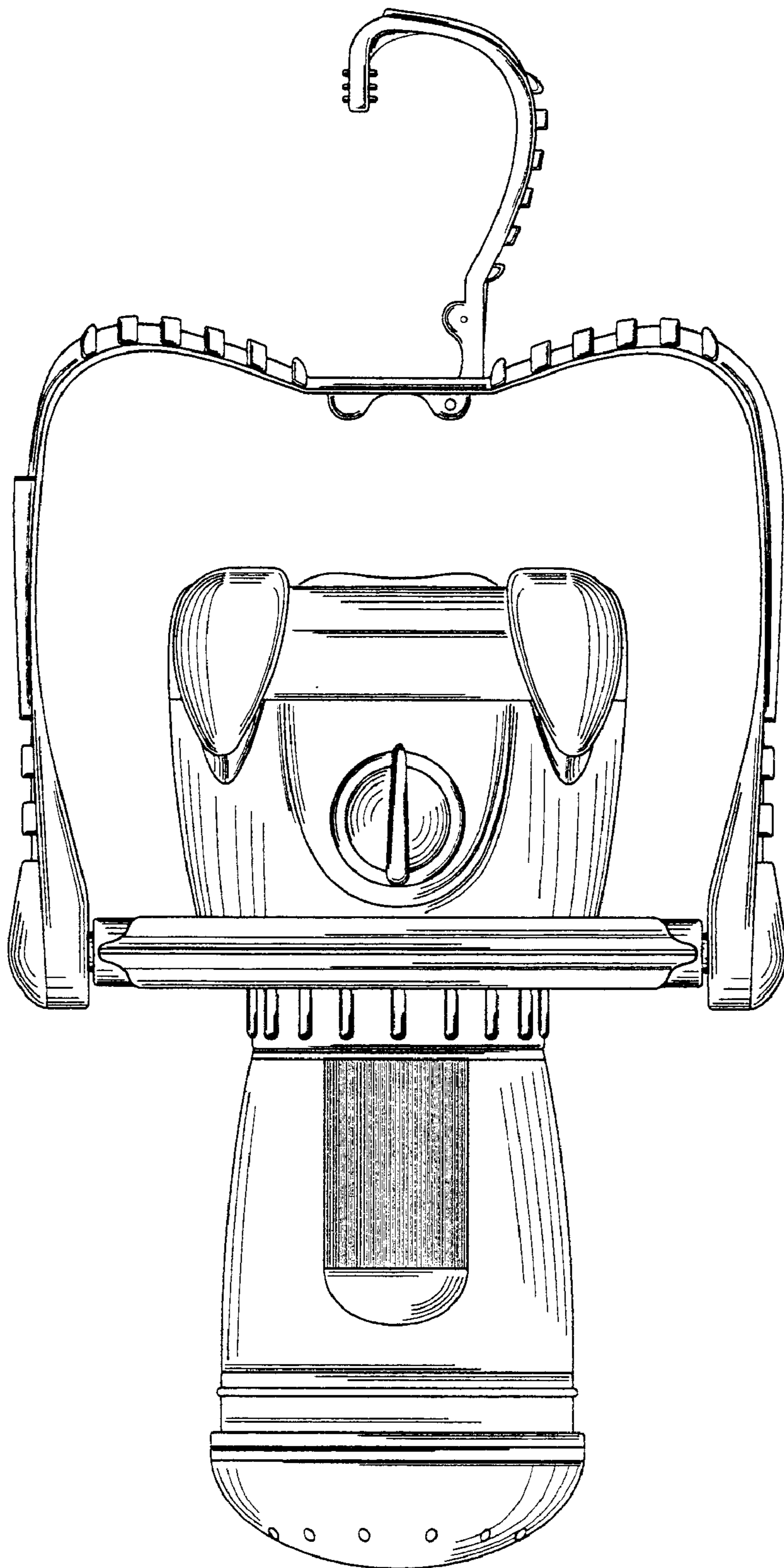


FIG. 9