



US00D513335S

(12) **United States Design Patent** (10) **Patent No.:** **US D513,335 S**
Lee (45) **Date of Patent:** **** Dec. 27, 2005**

(54) **HAND ACTUATABLE LIGHT DEVICE**

(76) **Inventor:** **Wen-Sung Lee**, P.O. Box 63-298,
Taichung 406 (TW)

(**) **Term:** **14 Years**

(21) **Appl. No.:** **29/213,464**

(22) **Filed:** **Sep. 20, 2004**

(51) **LOC (6) Cl.** **26-02**

(52) **U.S. Cl.** **D26/37**

(58) **Field of Search** D26/37-50; 362/157,
362/158, 171-174, 183-208

(56) **References Cited**

U.S. PATENT DOCUMENTS

D448,505 S	*	9/2001	Dalton et al.	D26/37
D484,625 S	*	12/2003	Chang	D26/37
D497,019 S	*	10/2004	Lee	D26/37
D498,864 S	*	11/2004	Lee	D26/37
D504,736 S	*	5/2005	Yen	D26/37

* cited by examiner

Primary Examiner—Marcus A. Jackson
(74) Attorney, Agent, or Firm—Charles E. Baxley

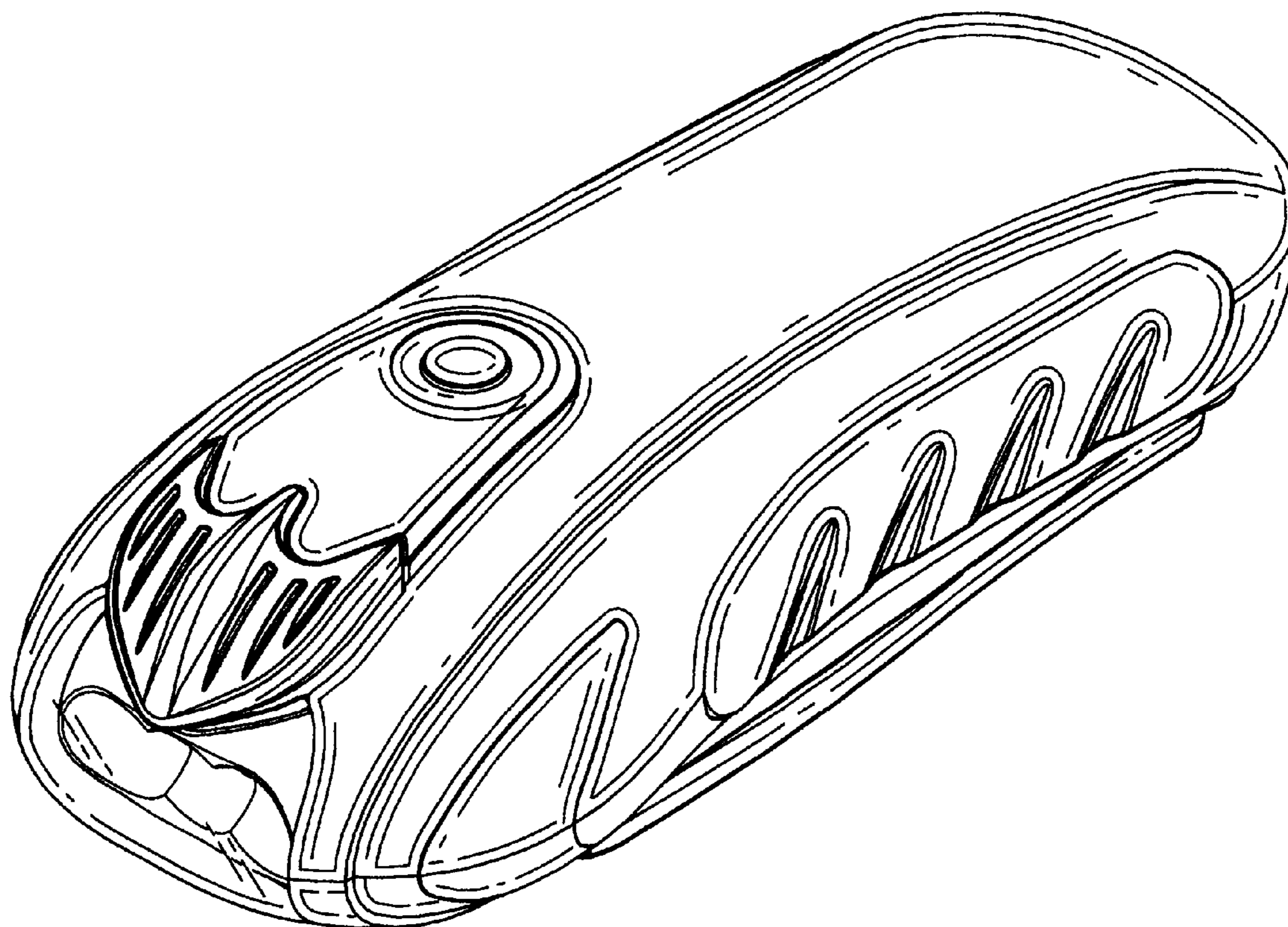
(57) **CLAIM**

The ornamental design for a hand actuatable light device, as shown and described.

DESCRIPTION

FIG. 1 is an upper perspective view of a hand actuatable light device showing my new design; FIG. 2 is a front elevational view thereof; FIG. 3 is a rear elevational view thereof; FIG. 4 is a top plan view thereof; FIG. 5 is a bottom plan view thereof; FIG. 6 is a left side elevational view thereof; FIG. 7 is a right side elevational view thereof; and, FIG. 8 is a bottom perspective view thereof, the rotatable hand grips depicted by means of broken lines being for illustrative purposes only and forming no part of the claimed design.

1 Claim, 7 Drawing Sheets



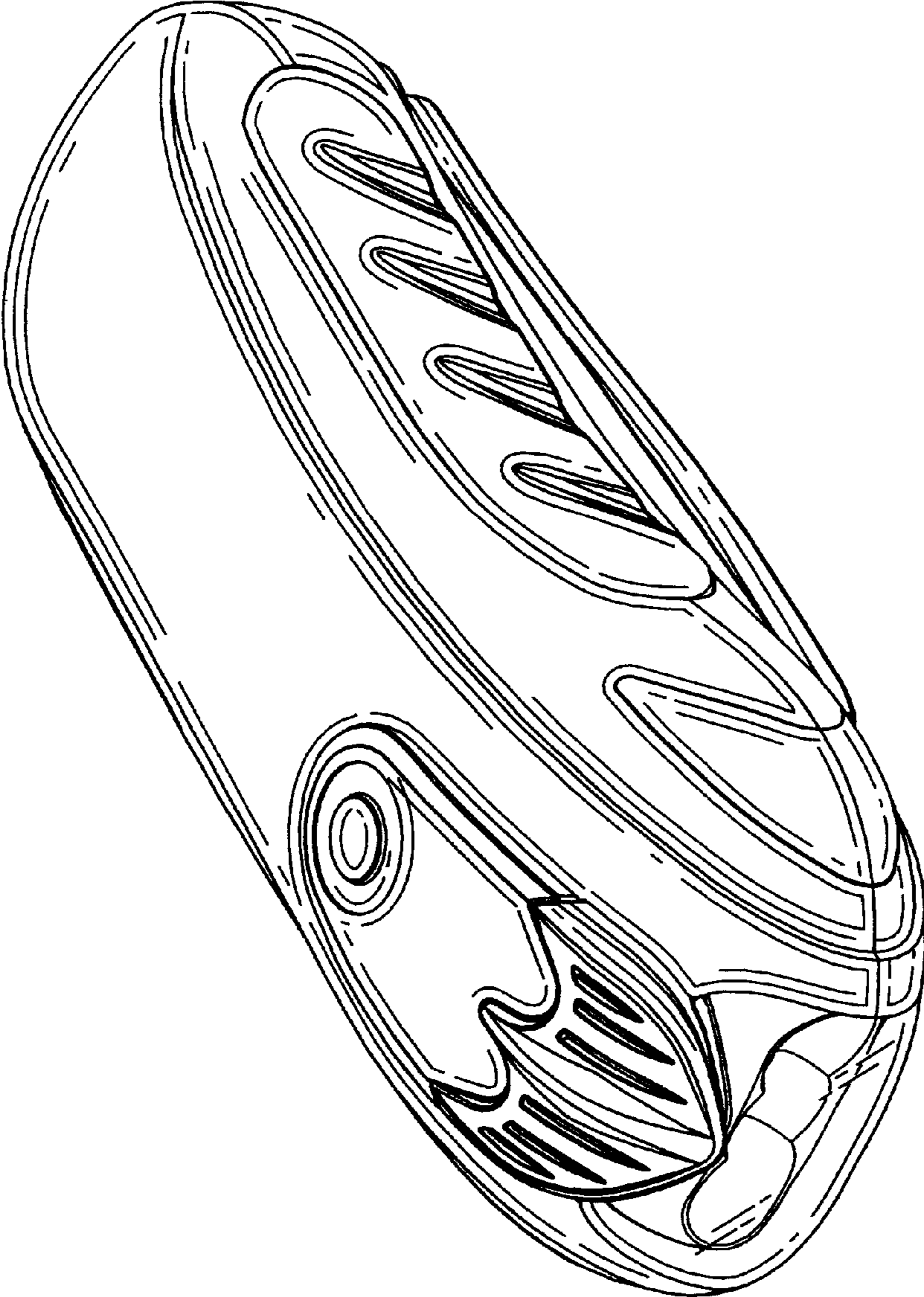


FIG. 1

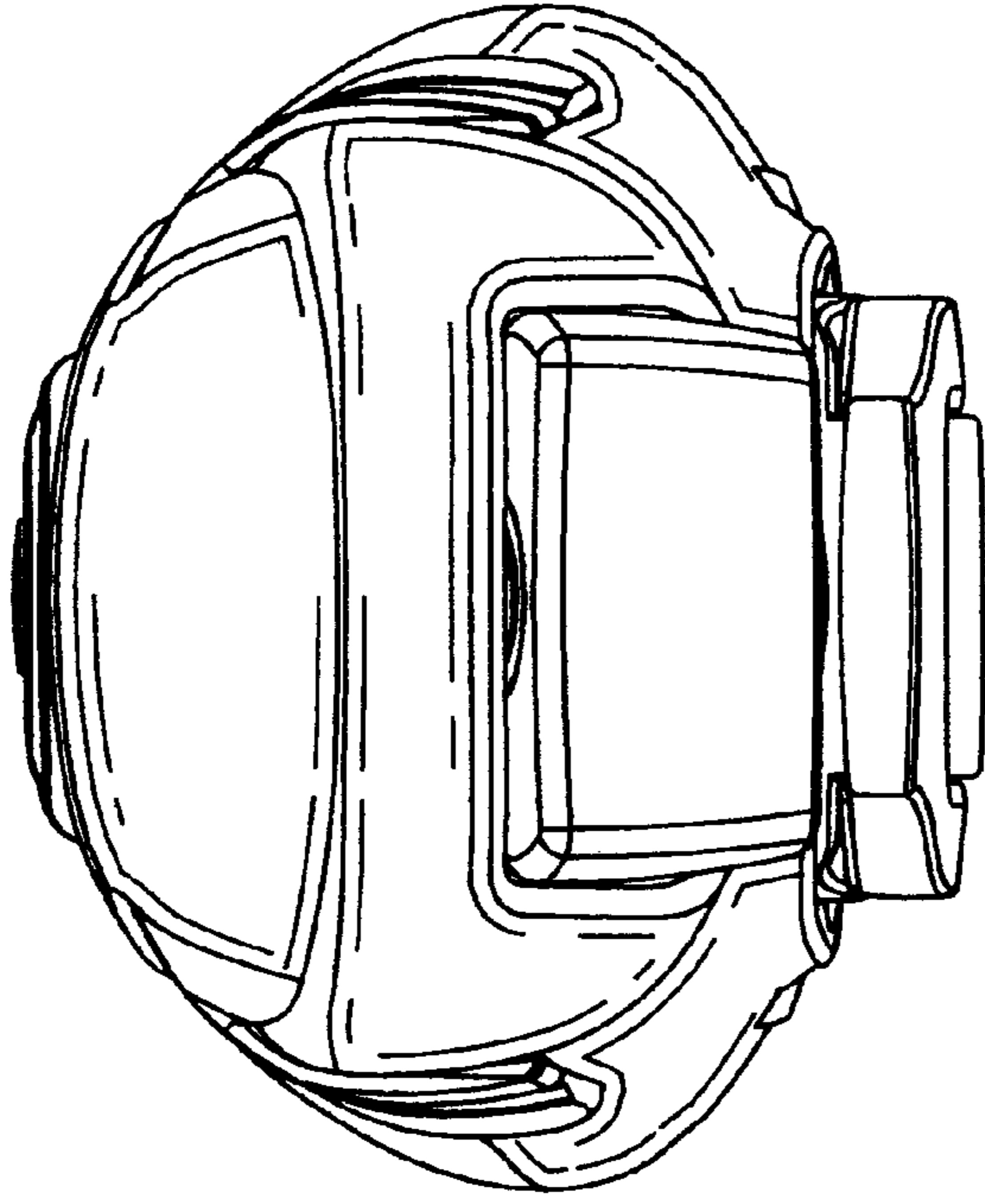


FIG. 2

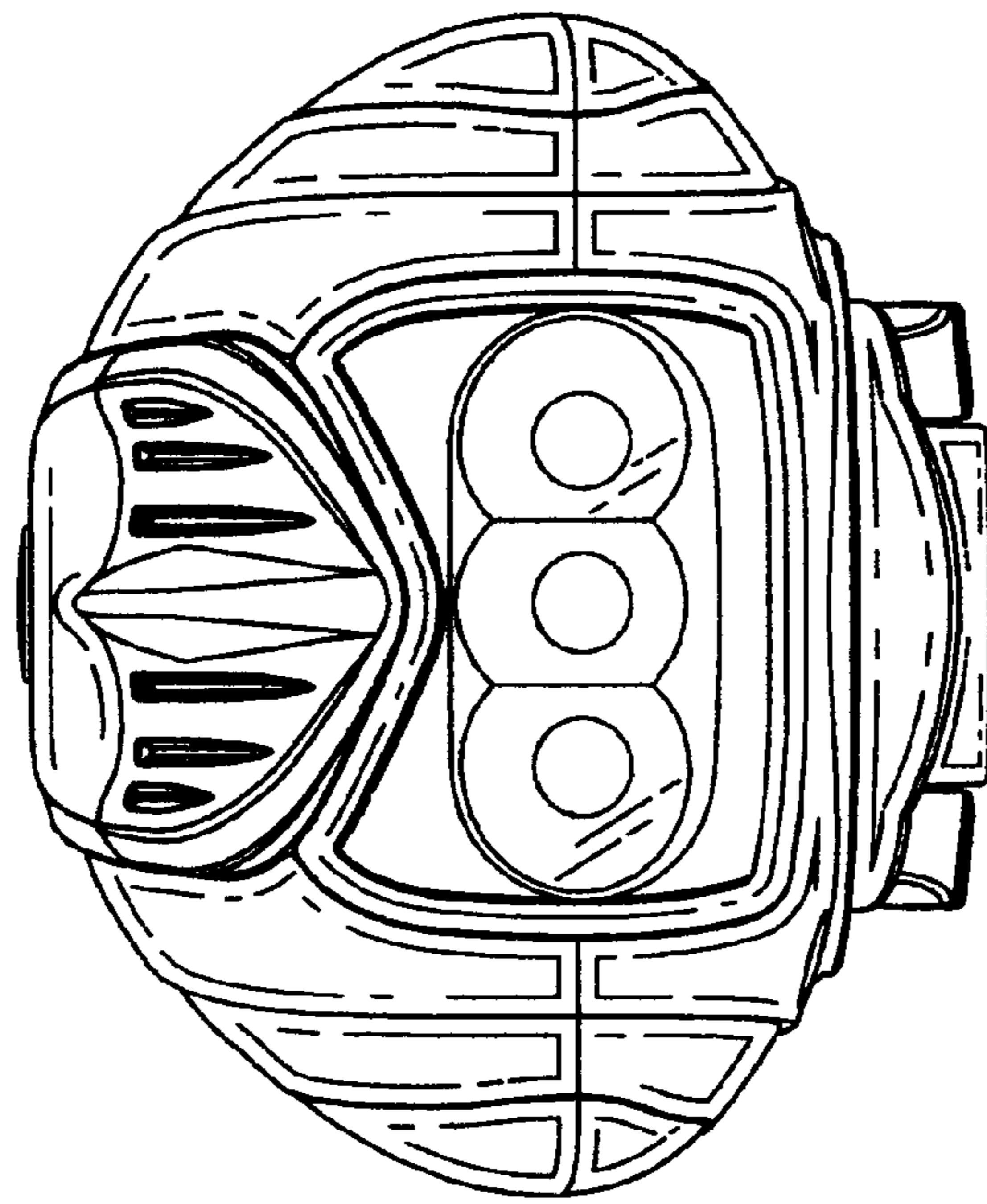


FIG. 3

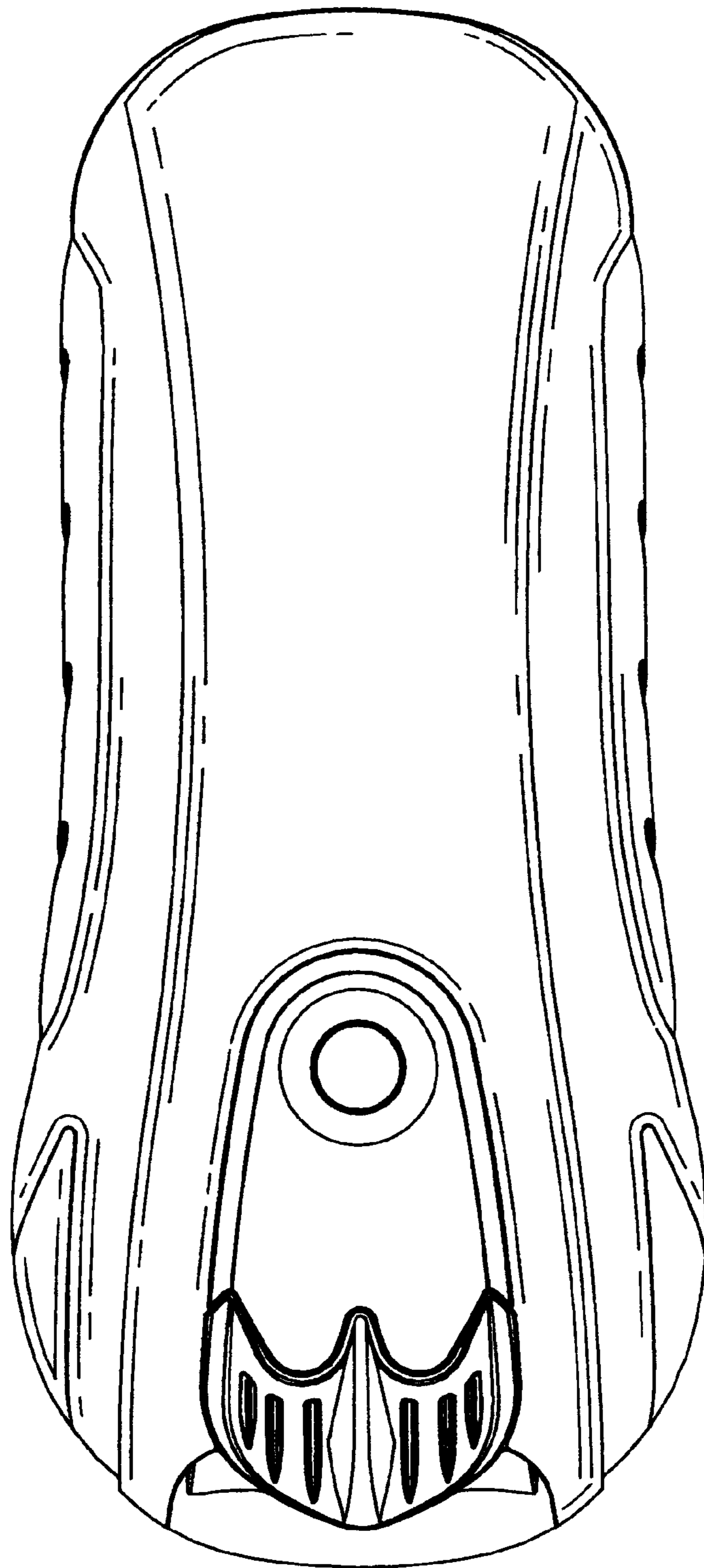


FIG. 4

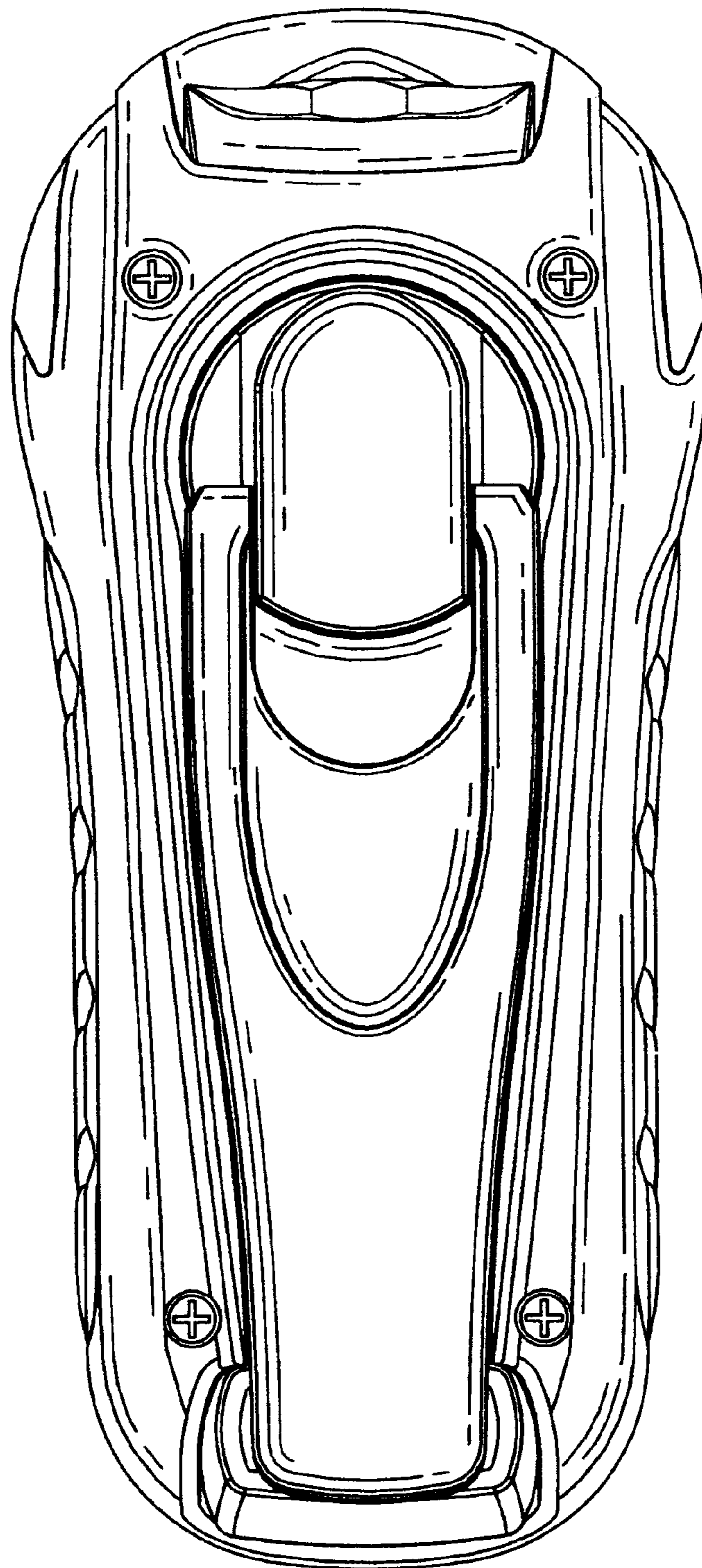


FIG. 5

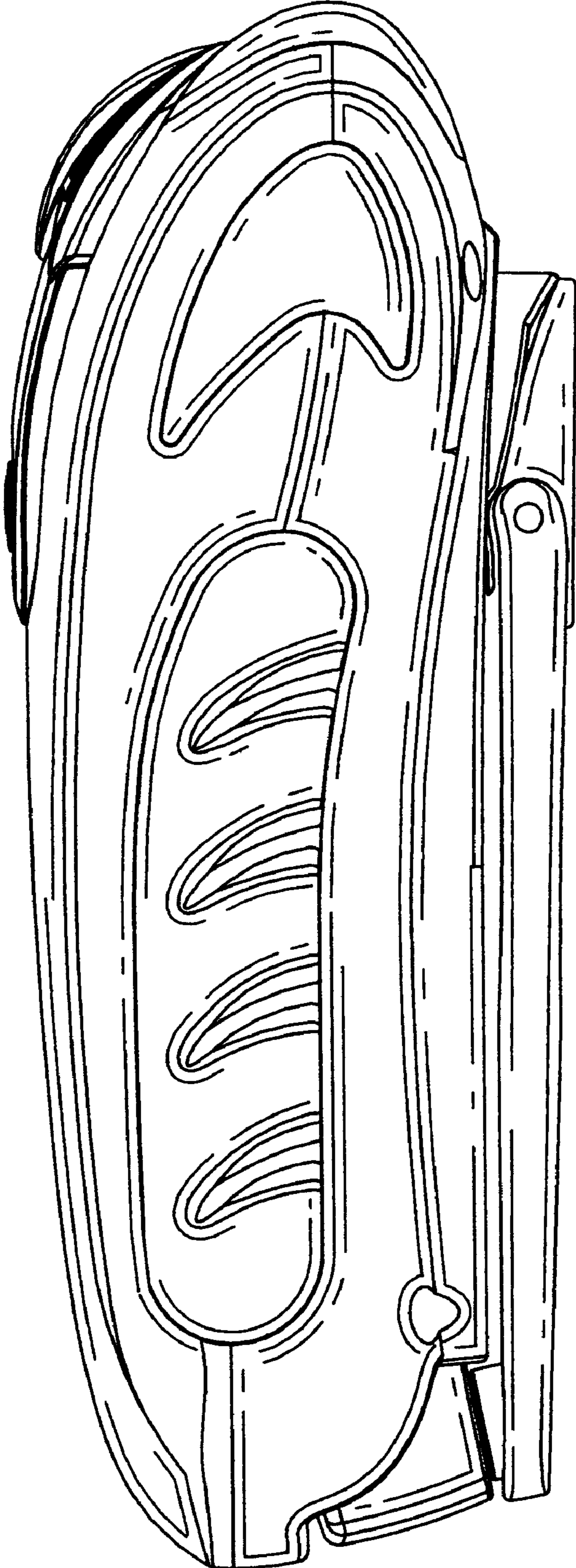


FIG. 6

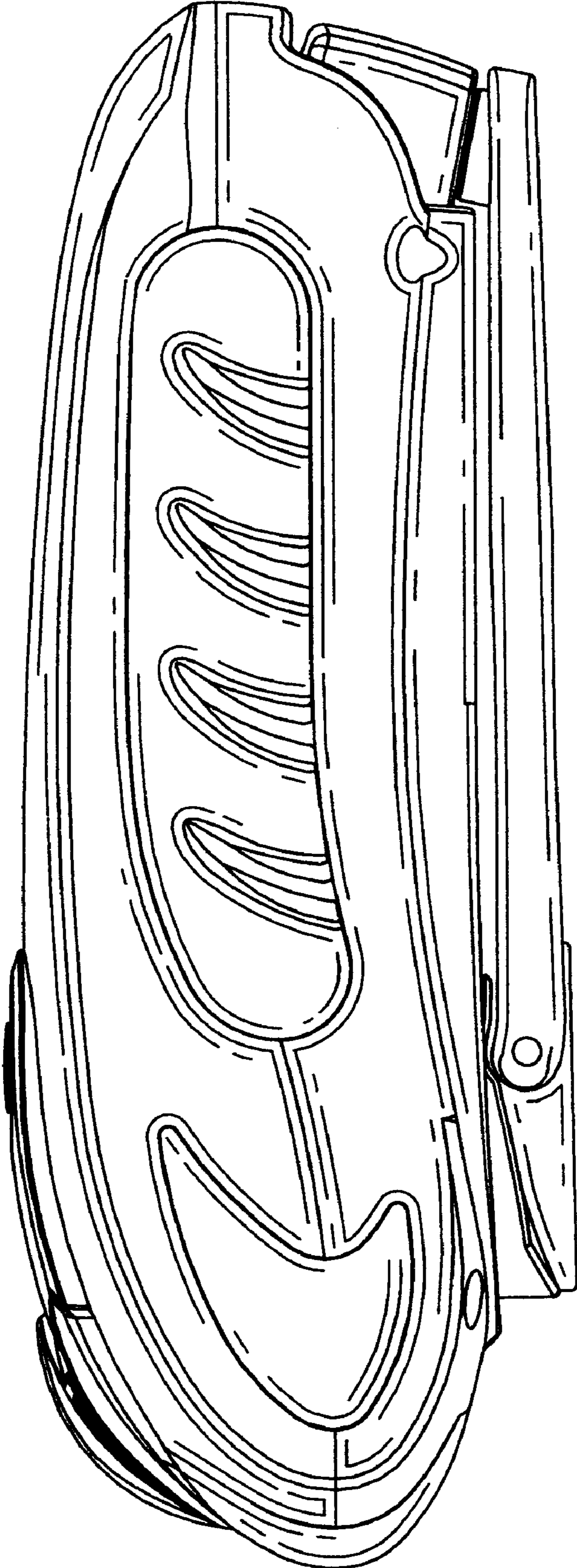


FIG. 7

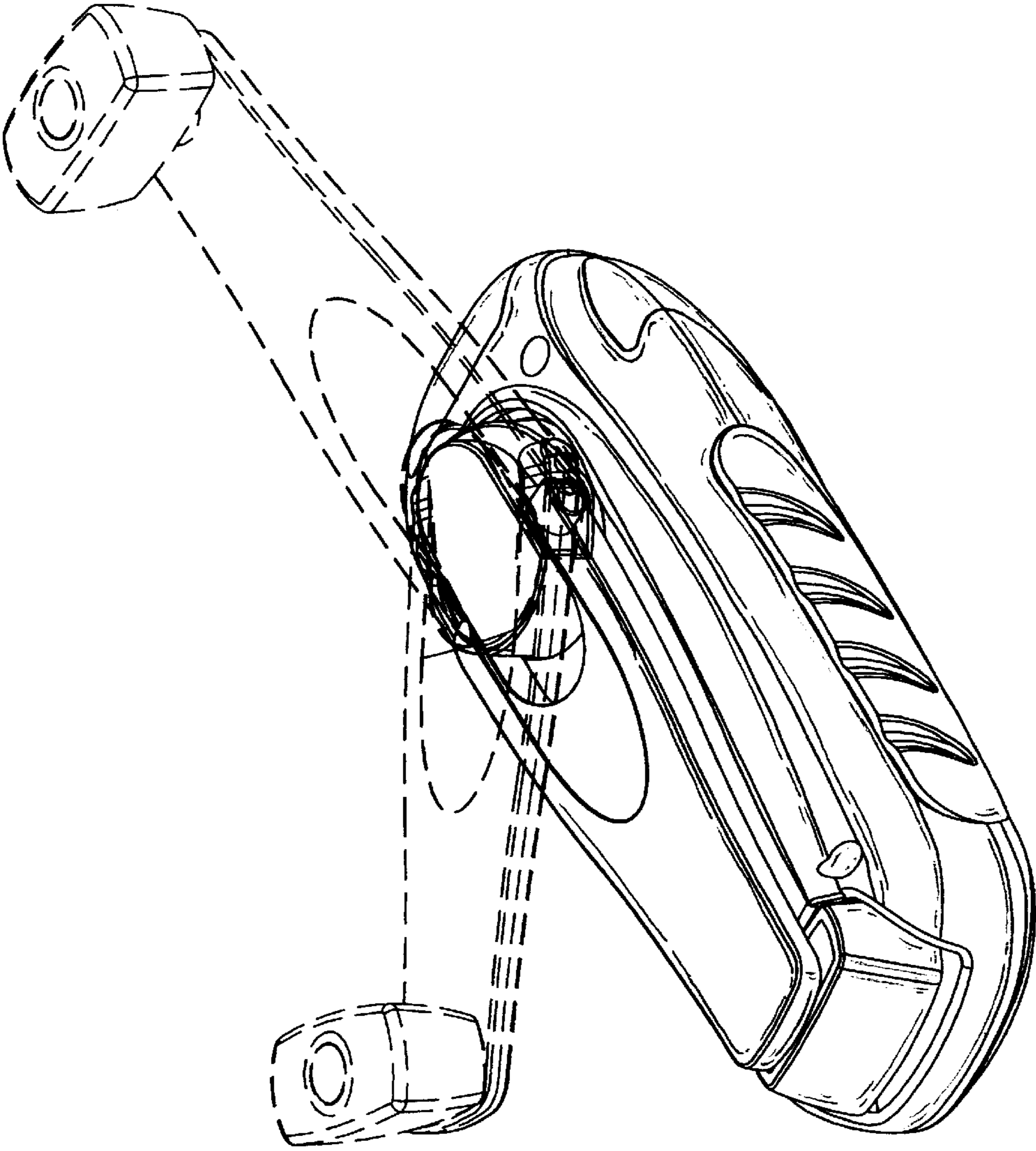


FIG. 8