



US00D51333S

(12) **United States Design Patent**
Okuda et al.

(10) **Patent No.:** **US D513,333 S**
(45) **Date of Patent:** **** Dec. 27, 2005**

(54) **HEADLAMP FOR A BICYCLE**

D498,550 S * 11/2004 Chen D26/28

(75) Inventors: **Yoji Okuda**, Tondabayashi (JP);
Toshiyuki Nagano, Takarazuka (JP)

* cited by examiner

(73) Assignee: **Cateye Co., Ltd.**, Osaka (JP)

Primary Examiner—Marcus A. Jackson
(74) *Attorney, Agent, or Firm*—Olson & Hierl, Ltd.

(**) Term: **14 Years**

(57) **CLAIM**

(21) Appl. No.: **29/199,678**

The ornamental design for a headlamp for a bicycle, as shown.

(22) Filed: **Feb. 18, 2004**

DESCRIPTION

(30) **Foreign Application Priority Data**

Aug. 25, 2003 (JP) 2003-024435

FIG. 1 is a front view of a headlamp for a bicycle showing our new design;

(51) **LOC (6) Cl.** **26-06**

FIG. 2 is a rear view thereof;

(52) **U.S. Cl.** **D26/28**

FIG. 3 is a right side view thereof;

(58) **Field of Search** D26/28-36; 362/458-468,
362/475-478, 485-487

FIG. 4 is a left side view thereof;

FIG. 5 is a top plan view thereof;

FIG. 6 is a bottom plan view thereof;

FIG. 7 is a front perspective view thereof; and,

FIG. 8 is a rear perspective view thereof.

(56) **References Cited**

U.S. PATENT DOCUMENTS

D497,444 S * 10/2004 Okuda et al. D26/28

1 Claim, 3 Drawing Sheets

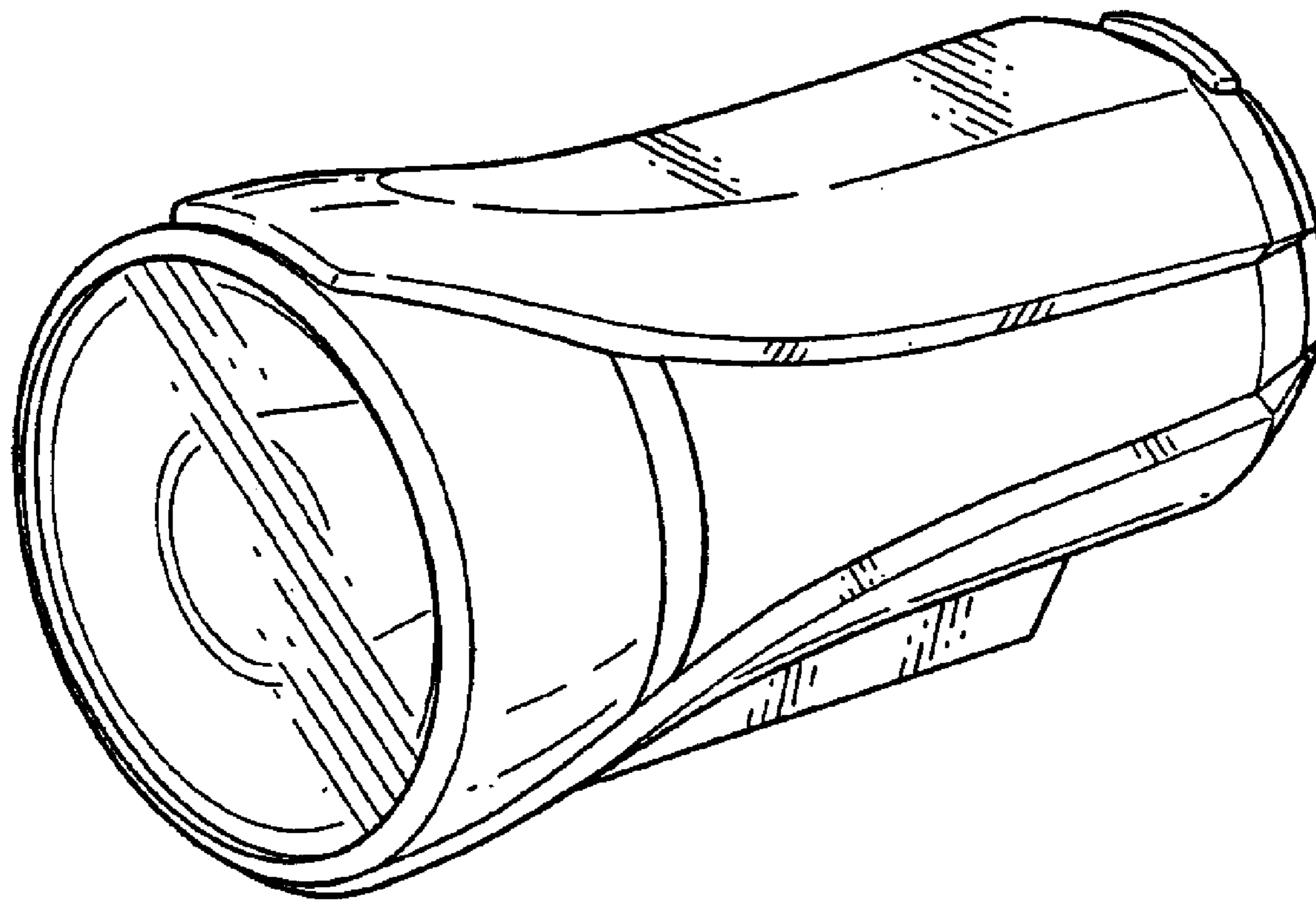


FIG. 1

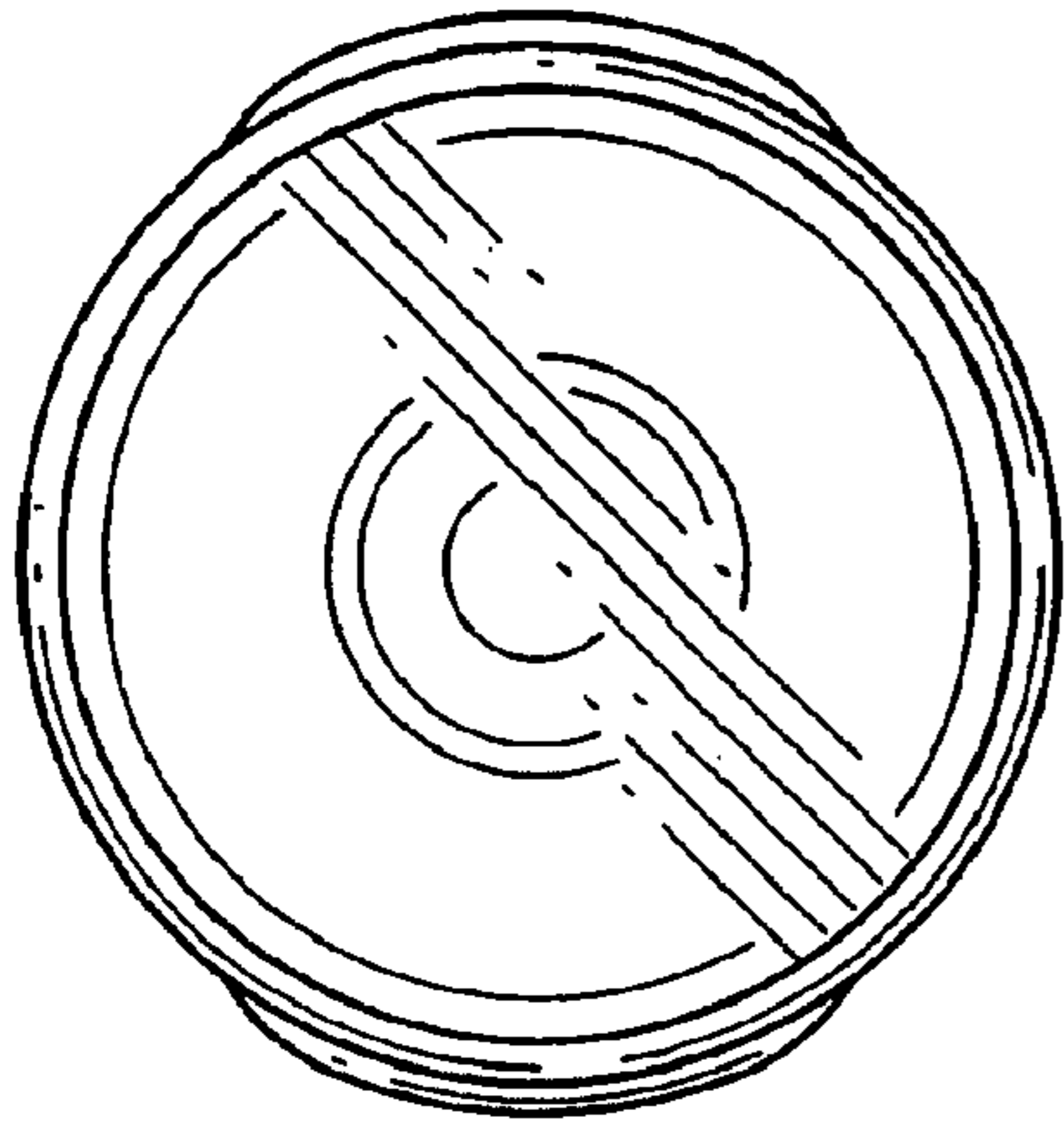


FIG. 2

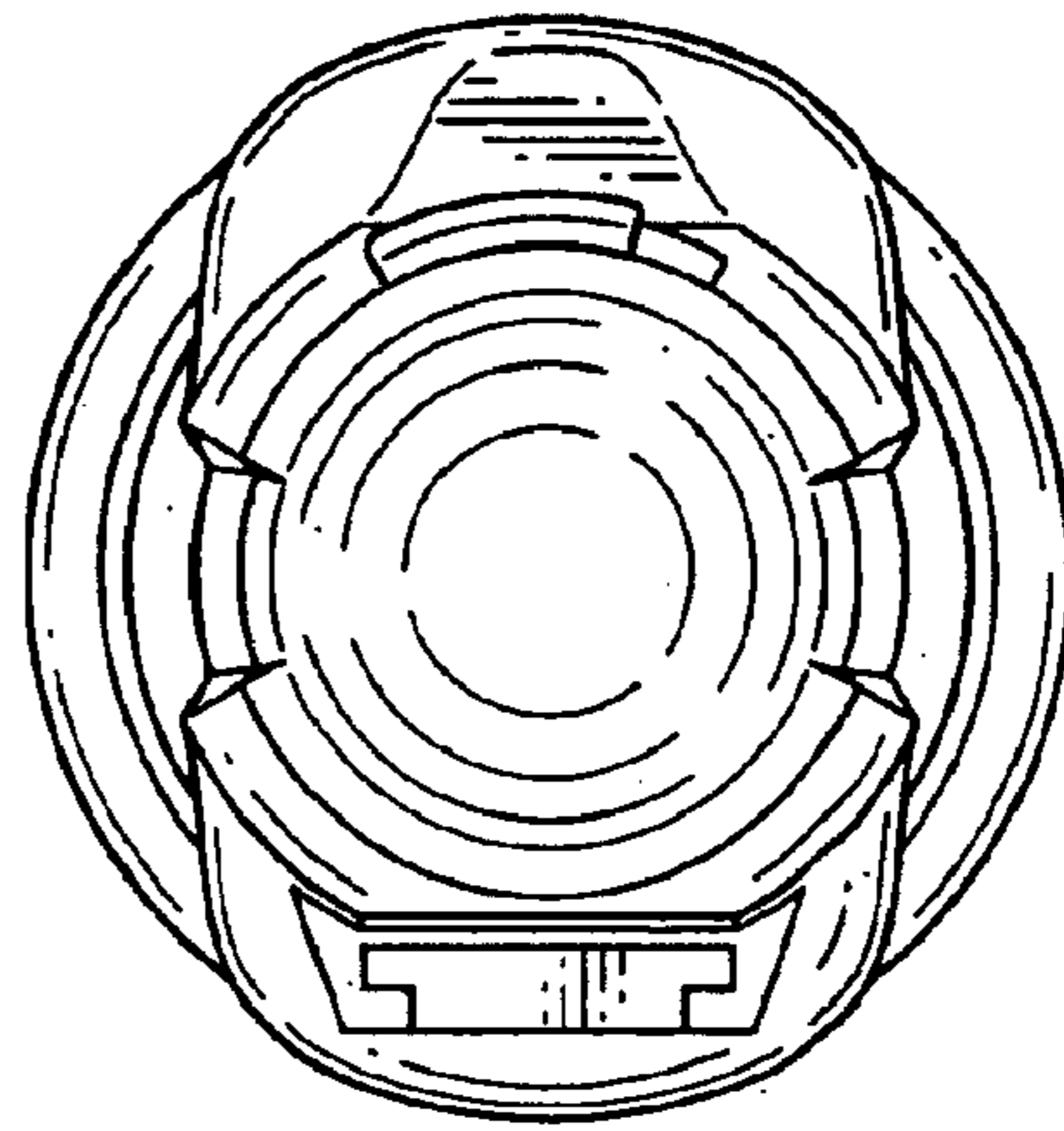


FIG. 3

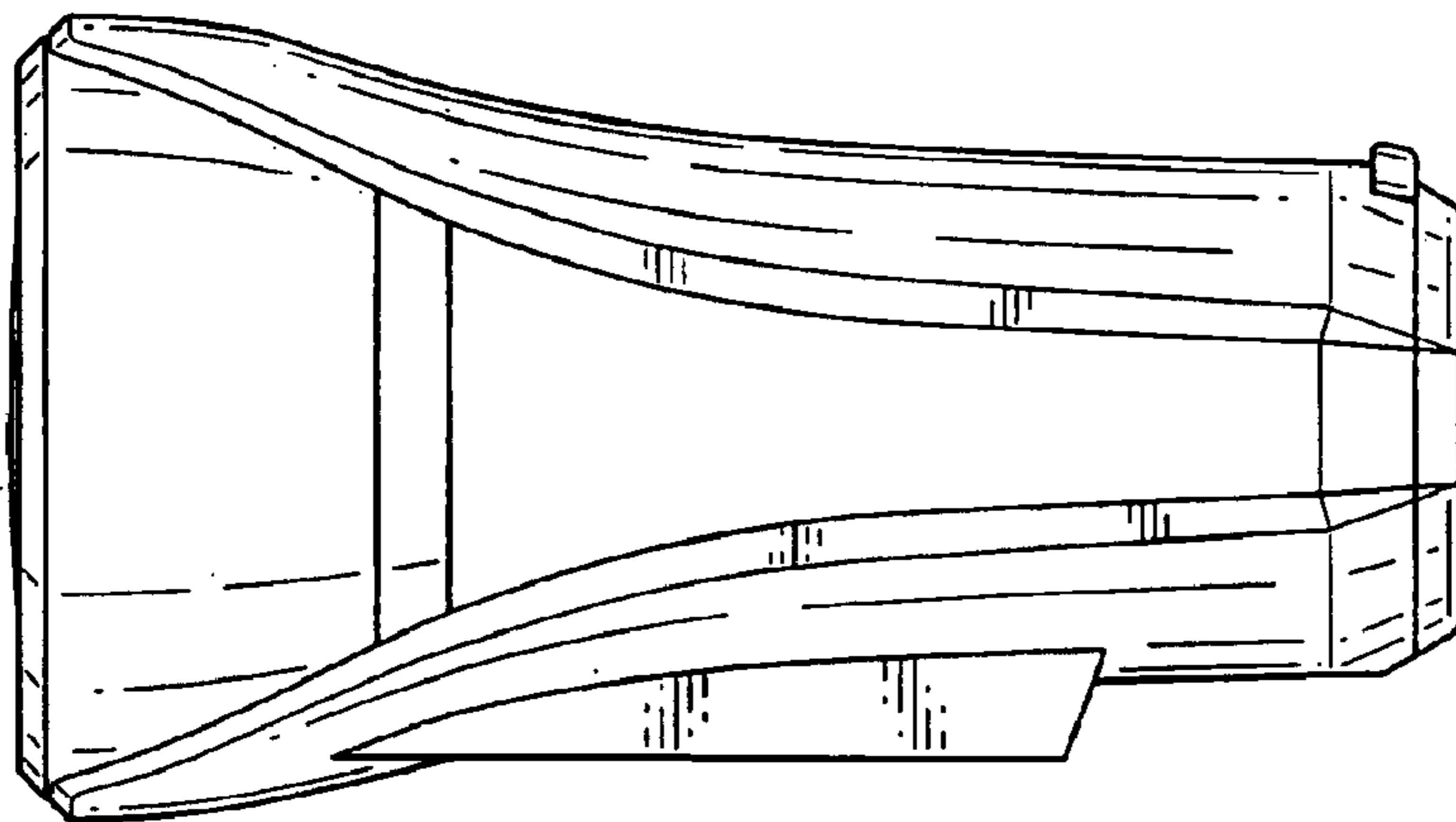


FIG. 4

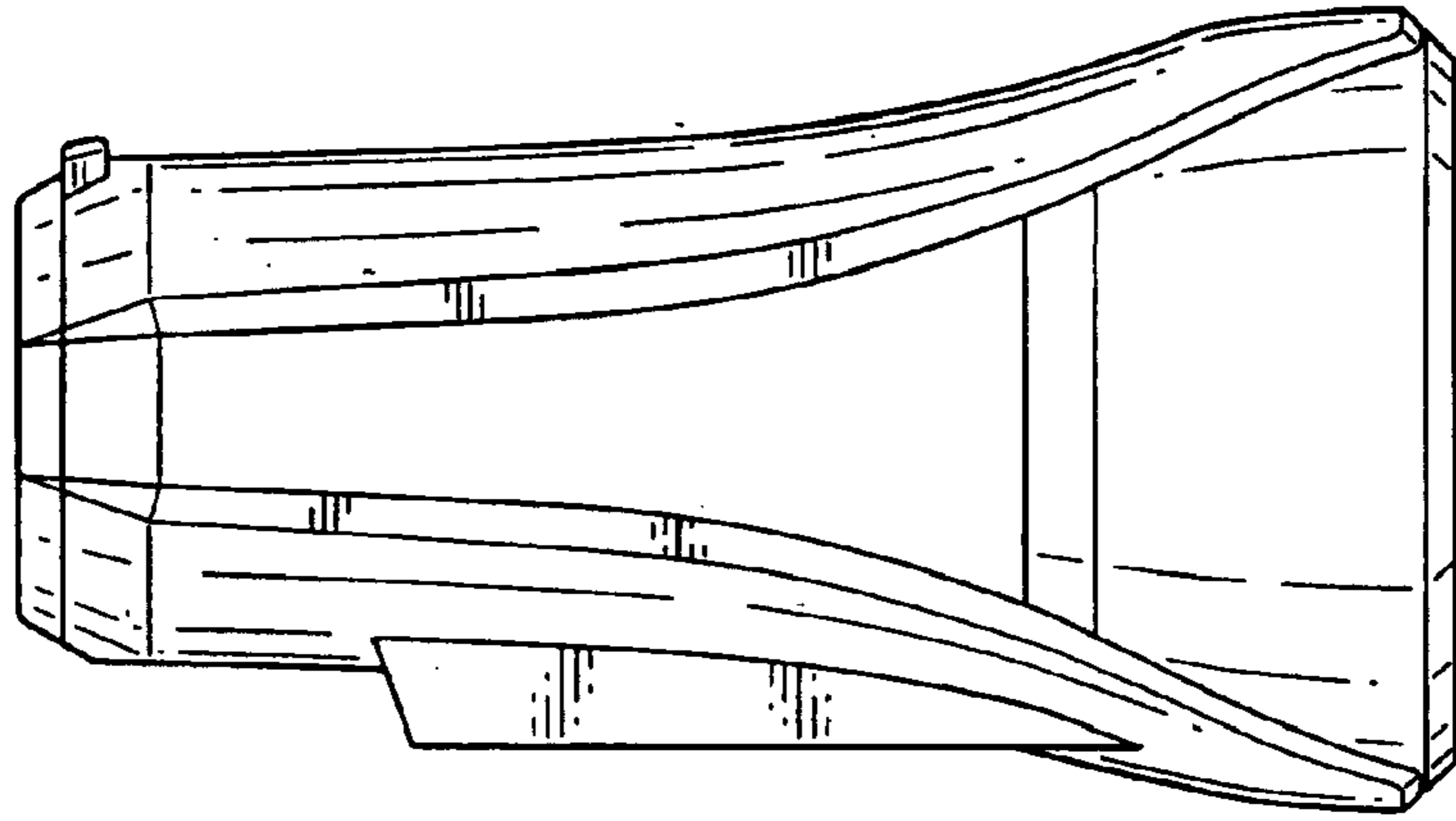


FIG. 5

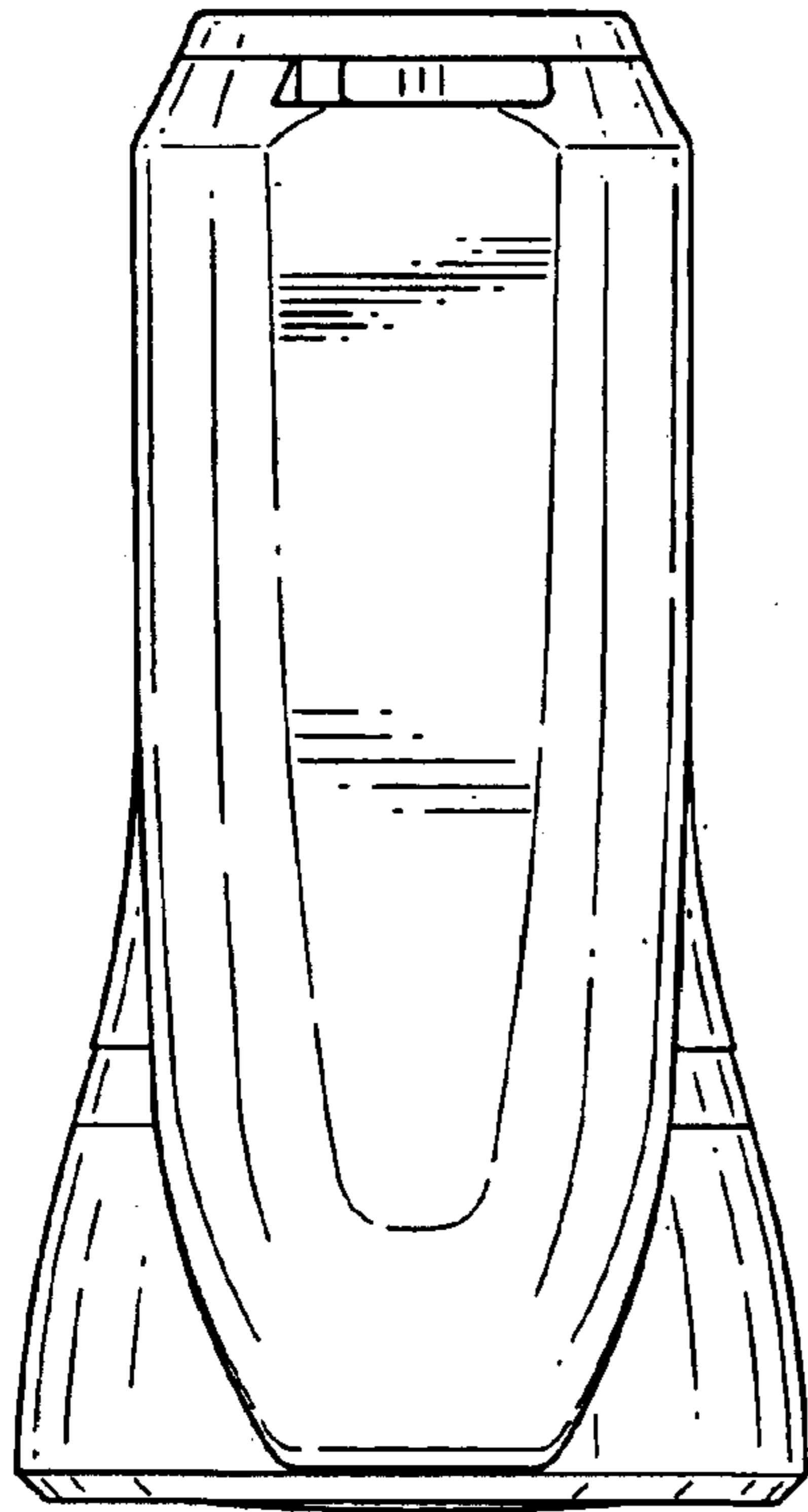


FIG. 6

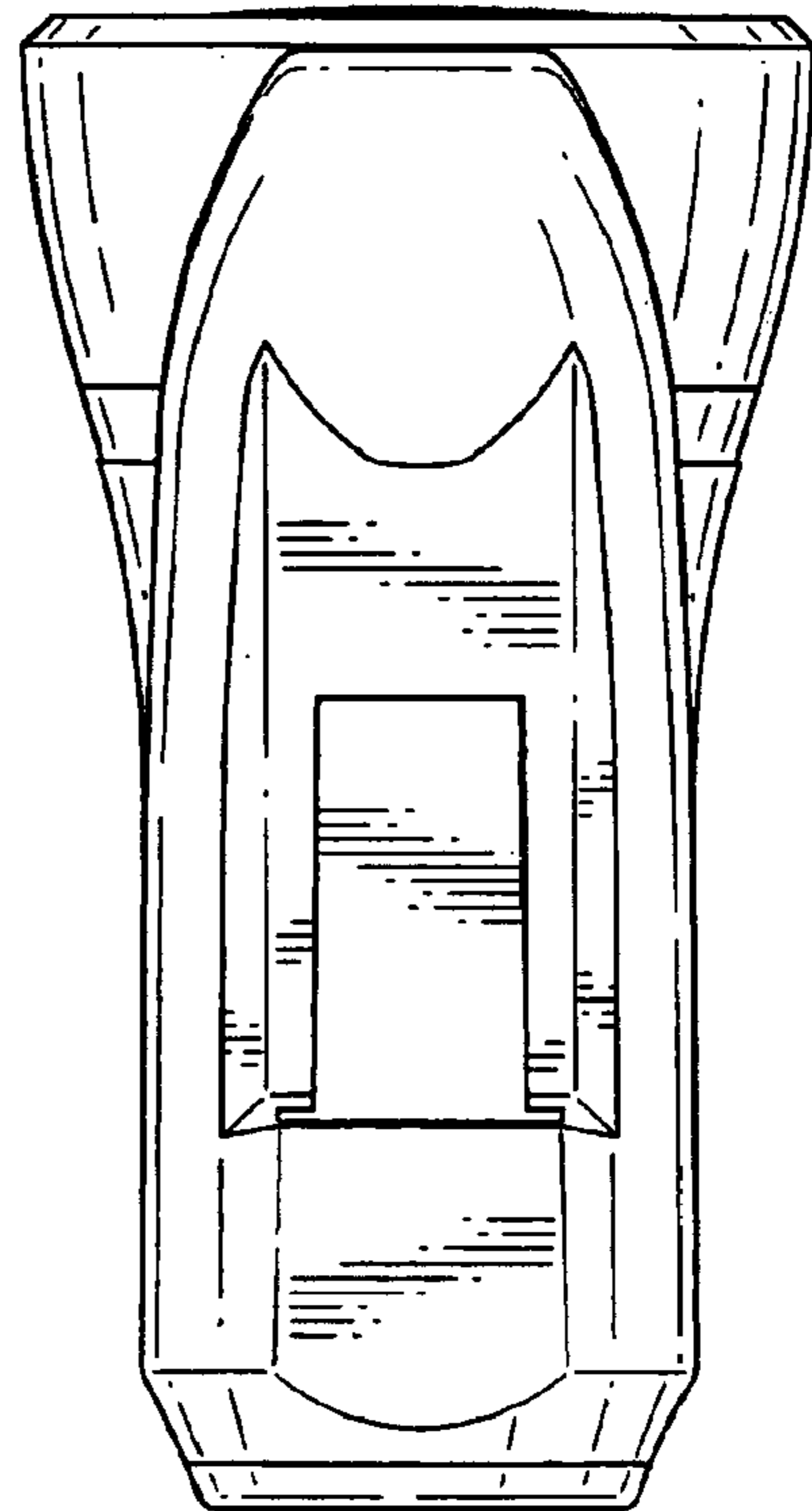


FIG. 7

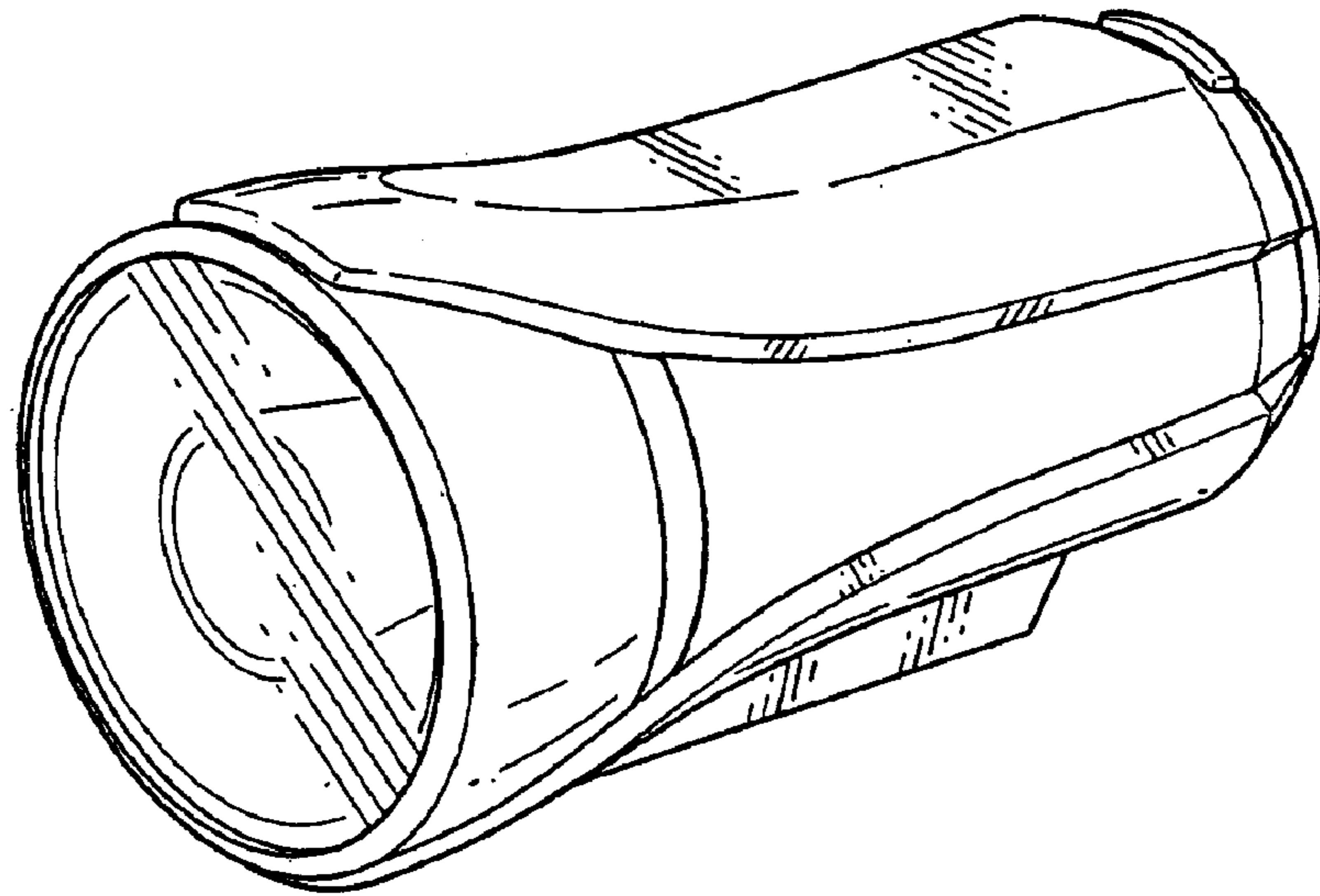


FIG. 8

