



US00D513330S

(12) **United States Design Patent**  
**Wickland**

(10) **Patent No.:** **US D513,330 S**

(45) **Date of Patent:** **\*\* Dec. 27, 2005**

(54) **WINDOW COMPONENT EXTRUSION**

D496,739 S \* 9/2004 Franson ..... D25/124

(75) **Inventor:** **Timothy T. Wickland**, Rockford, IL  
(US)

**OTHER PUBLICATIONS**

Mikron Part No. 7879 sold Aug. 31, 1999.

(73) **Assignee:** **Mikron Industries, Inc.**, Kent, WA  
(US)

\* cited by examiner

(\*\*) **Term:** **14 Years**

*Primary Examiner*—Doris Clark

(74) *Attorney, Agent, or Firm*—Black Lowe & Graham  
PLLC

(21) **Appl. No.:** **29/225,713**

(57) **CLAIM**

(22) **Filed:** **Mar. 18, 2005**

The ornamental design for a window component extrusion,  
as shown and described.

(51) **LOC (6) Cl.** ..... **25-01**

(52) **U.S. Cl.** ..... **D25/124**

(58) **Field of Search** ..... D25/124, 60, 125;  
52/204.1, 204.5, 204.51, 656.2, 656.5; 49/501,  
504

**DESCRIPTION**

FIG. 1 is a top right perspective view of the window  
component extrusion which is broken in the center indicat-  
ing indefinite length; and,

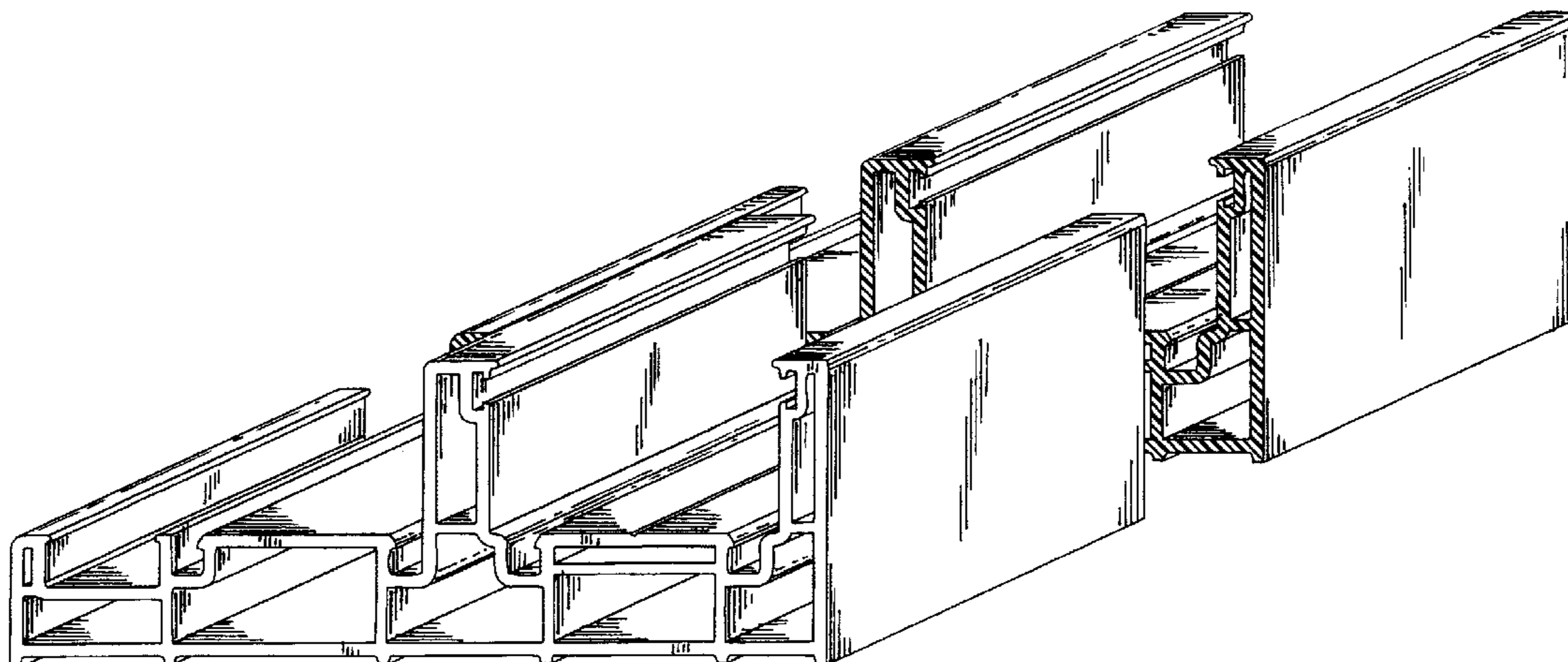
FIG. 2 is a bottom left perspective view of the window  
component extrusion shown in FIG. 1.

(56) **References Cited**

**U.S. PATENT DOCUMENTS**

6,308,475 B1 \* 10/2001 Crish et al. .... 52/204.597

**1 Claim, 2 Drawing Sheets**



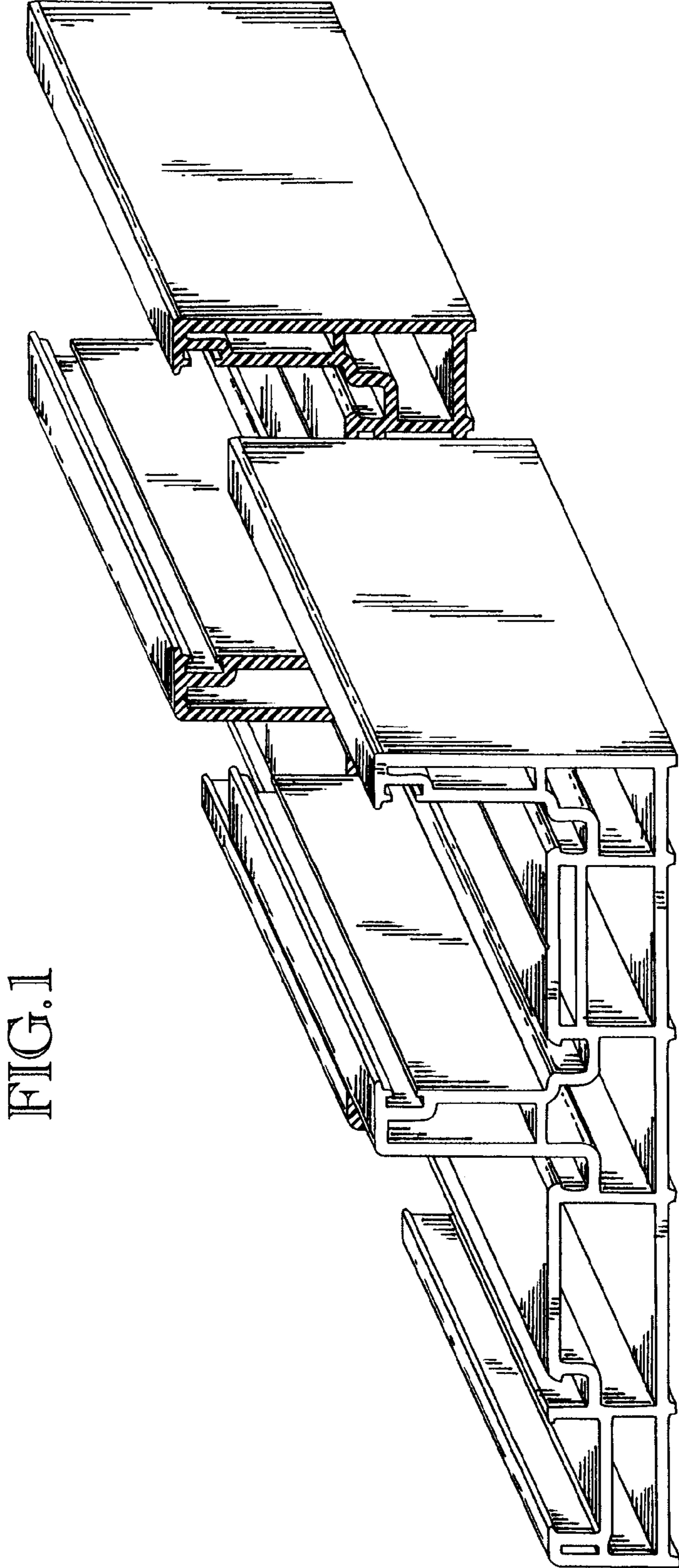


FIG. 1

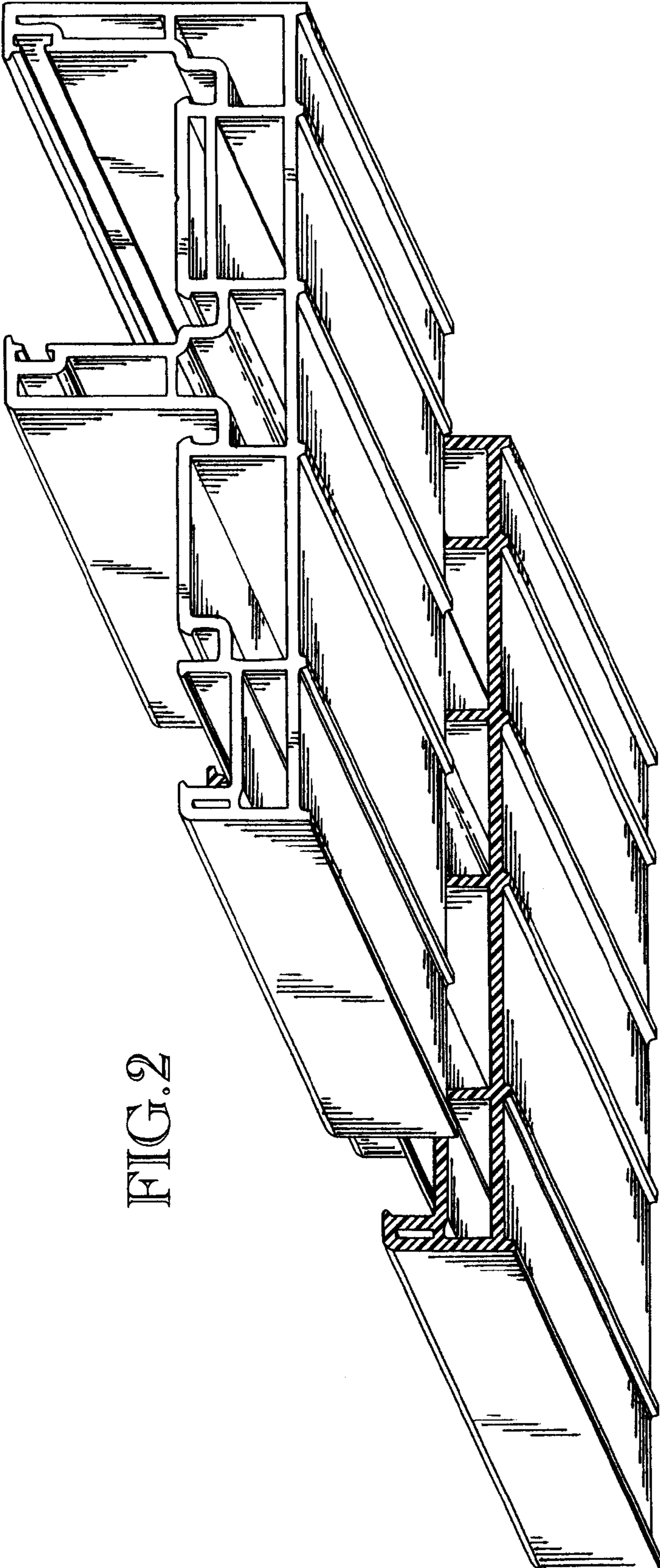


FIG. 2