



US00D513328S

(12) **United States Design Patent**
Lualdi

(10) **Patent No.:** **US D513,328 S**
(45) **Date of Patent:** **** Dec. 27, 2005**

(54) **DOOR**

D454,208 S * 3/2002 Zacher et al. D25/48

(75) Inventor: **Alberto Lualdi**, Marcallo Con Casone (IT)

* cited by examiner

(73) Assignee: **Lualdi S.p.A.**, Mesero (IT)

Primary Examiner—Doris Clark

(74) *Attorney, Agent, or Firm*—Nixon & Vanderhye P.C.

(**) Term: **14 Years**

(57) **CLAIM**

The ornamental design for a “door,” as shown and described.

(21) Appl. No.: **29/208,849**

(22) Filed: **Jul. 7, 2004**

DESCRIPTION

(30) **Foreign Application Priority Data**

Mar. 22, 2004 (EP) 000 153 333

FIG. 1 is a front perspective view of the door according to my new design,

(51) **LOC (6) Cl.** **25-02**

FIG. 2 is a front view of the door,

(52) **U.S. Cl.** **D25/48**

FIG. 3 is a rear view of the door,

(58) **Field of Search** D25/48; 52/455; 49/501, 504, DIG. 2

FIG. 4 is a right, side view of the door,

FIG. 5 is a left, side view of the door; and,

FIG. 6 is a top plan view of the door.

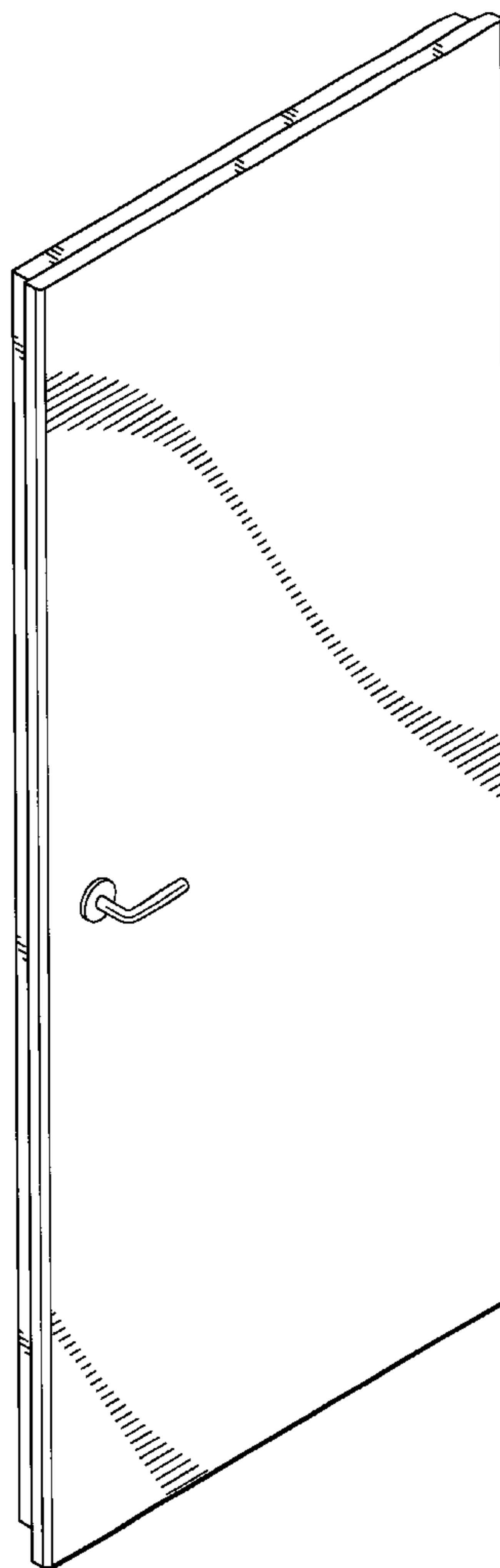
The bottom plan view are the mirror image of the top plan view.

(56) **References Cited**

U.S. PATENT DOCUMENTS

6,185,871 B1 * 2/2001 Wang 49/501

1 Claim, 5 Drawing Sheets



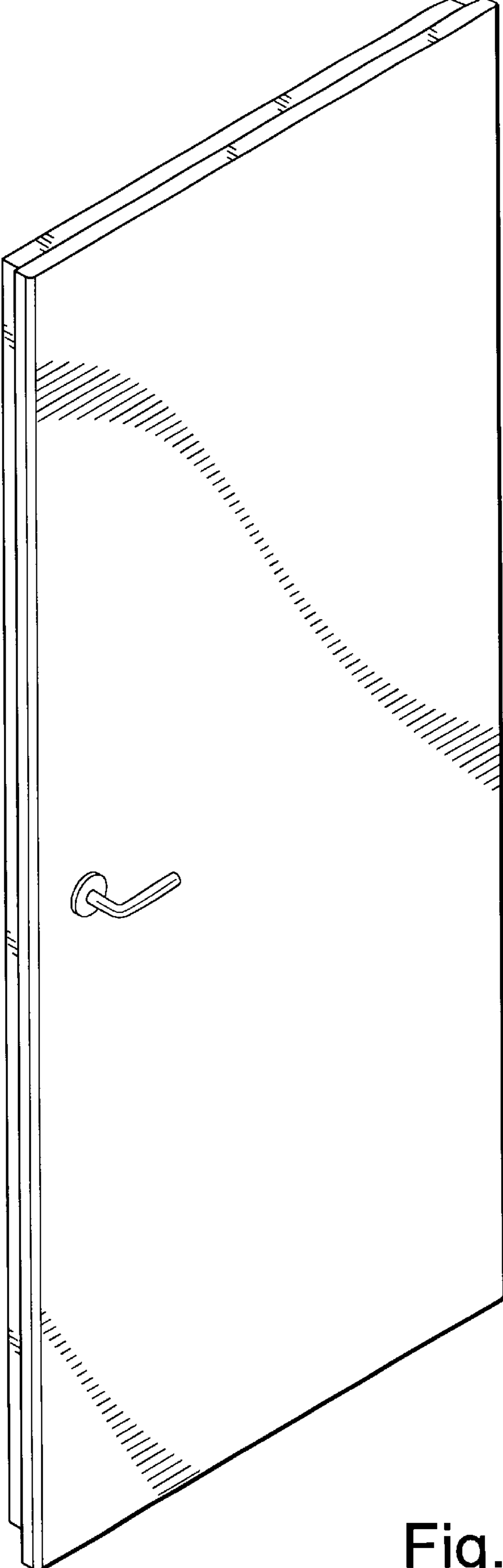


Fig. 1

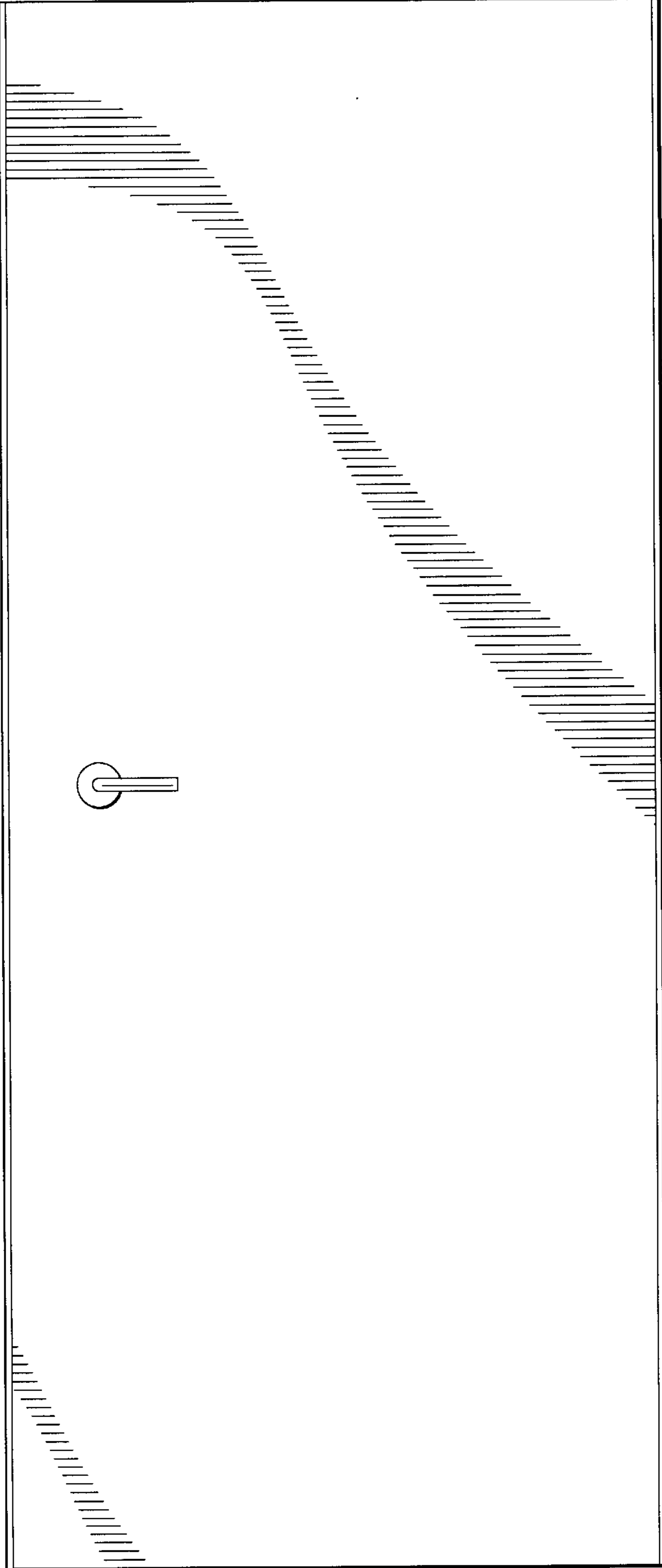


Fig. 2

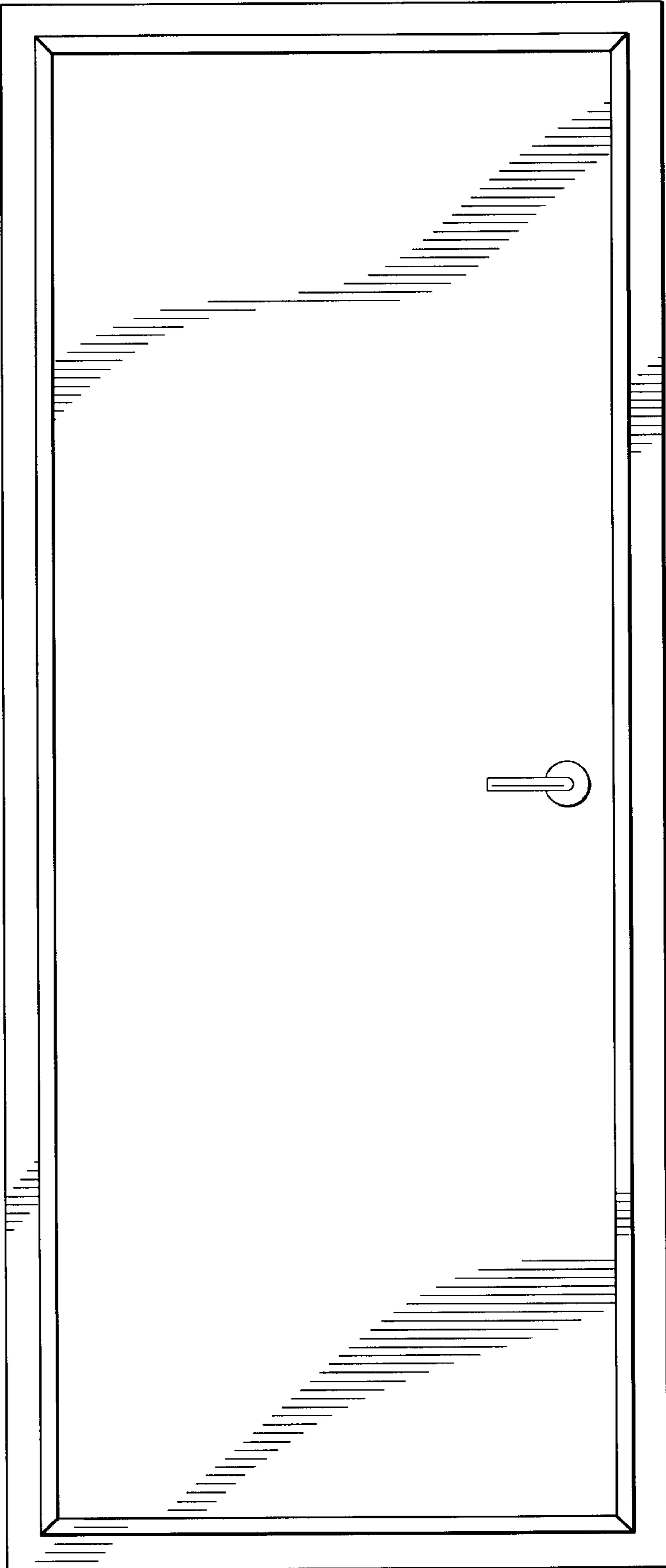


Fig. 3

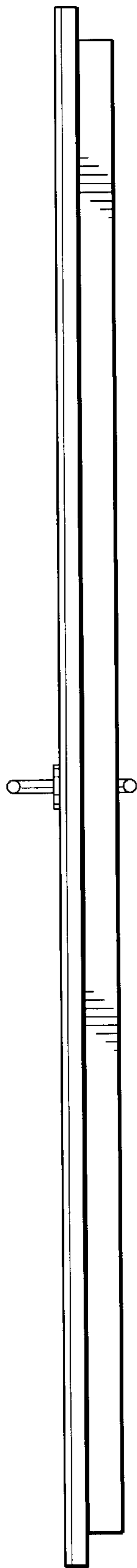


Fig. 4

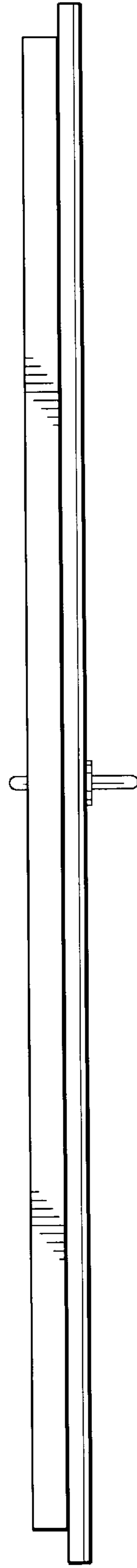


Fig. 5

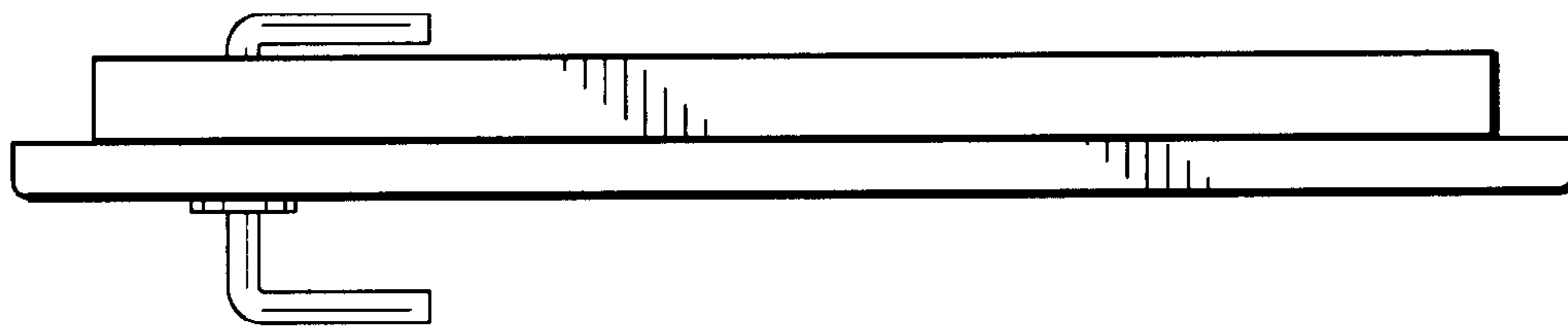


Fig. 6