



US00D513325S

(12) **United States Design Patent** (10) **Patent No.:** **US D513,325 S**  
**Loyd** (45) **Date of Patent:** **\*\* Dec. 27, 2005**

(54) **SPA SHELL**

(76) **Inventor:** **Casey Loyd**, 1462 E. 9th St., Pomona, CA (US) 91766

(\*\*) **Term:** **14 Years**

(21) **Appl. No.:** **29/211,657**

(22) **Filed:** **Aug. 18, 2004**

(51) **LOC (6) Cl.** ..... **24-04**

(52) **U.S. Cl.** ..... **D24/204; D24/201; D23/277**

(58) **Field of Search** ..... **D24/201, 204, D24/205; D23/277; 4/541.1-541.6, 547, 578.1, 579; 601/154-158**

(56) **References Cited**

**U.S. PATENT DOCUMENTS**

D294,863 S	*	3/1988	Kingsley	.....	D24/204
D301,374 S	*	5/1989	D’Innocente	.....	D24/204
4,860,392 A	*	8/1989	Gardenier et al.	.....	4/541.4
D305,061 S	*	12/1989	Pauls et al.	.....	D24/205
D405,181 S	*	2/1999	Larsen	.....	D24/204
D405,182 S	*	2/1999	Larsen	.....	D24/204
D405,185 S	*	2/1999	Larsen	.....	D24/204
D405,186 S	*	2/1999	Larsen	.....	D24/204
D436,178 S	*	1/2001	Larsen et al.	.....	D24/204
D446,309 S	*	8/2001	Bower	.....	D24/204
D446,310 S	*	8/2001	Bower	.....	D24/204
D446,862 S	*	8/2001	Larsen et al.	.....	D24/204
D454,643 S	*	3/2002	Gibson et al.	.....	D24/204
D463,028 S	*	9/2002	Bower	.....	D24/204
D463,569 S	*	9/2002	Bower	.....	D24/204

6,643,859 B1	*	11/2003	Brennan et al.	.....	4/541.6
2003/0014811 A1	*	1/2003	Hammock	.....	4/541.1
2004/0016051 A1	*	1/2004	Gardenier et al.	.....	4/541.1
2004/0034919 A1	*	2/2004	Collins et al.	.....	4/541.1
2004/0148694 A1	*	8/2004	Brennan et al.	.....	4/541.1
2004/0148695 A1	*	8/2004	Fidel	.....	4/541.1

\* cited by examiner

*Primary Examiner*—Louis S. Zarfes

*Assistant Examiner*—Melanie Levy

(74) *Attorney, Agent, or Firm*—Denton L. Anderson

(57) **CLAIM**

The ornamental design for a spa shell, as shown and described.

**DESCRIPTION**

FIG. 1 is a first perspective view of the spa shell of the invention;

FIG. 2 is a second perspective view of the spa shell illustrated in FIG. 1;

FIG. 3 is a top plan view of the spa shell illustrated in FIG. 1;

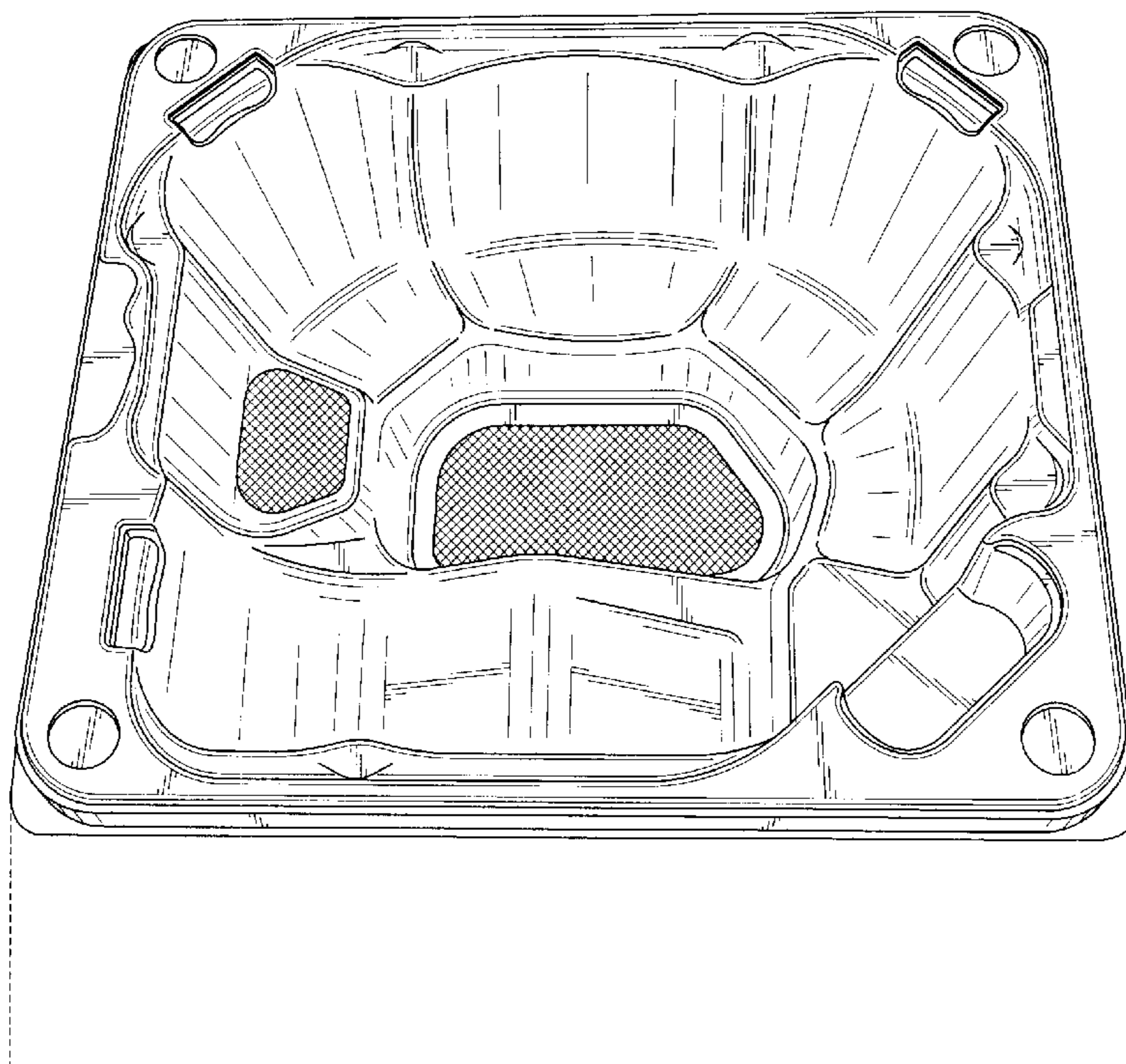
FIG. 4 is a first side view of the invention illustrated in FIG. 1;

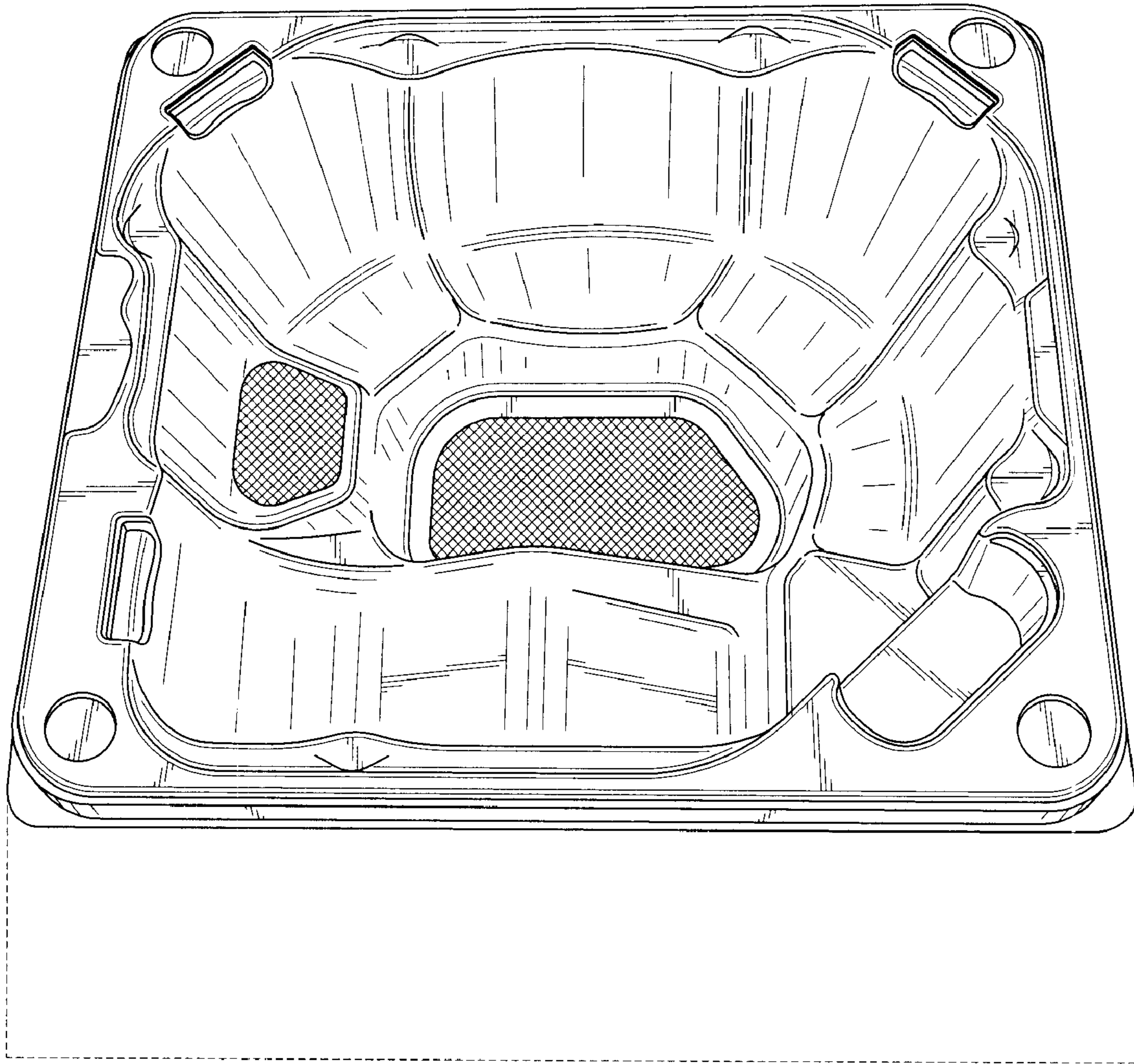
FIG. 5 is a second side view of the spa shell illustrated in FIG. 1; and,

FIG. 6 is a third side view of the spa shell illustrated in FIG. 1.

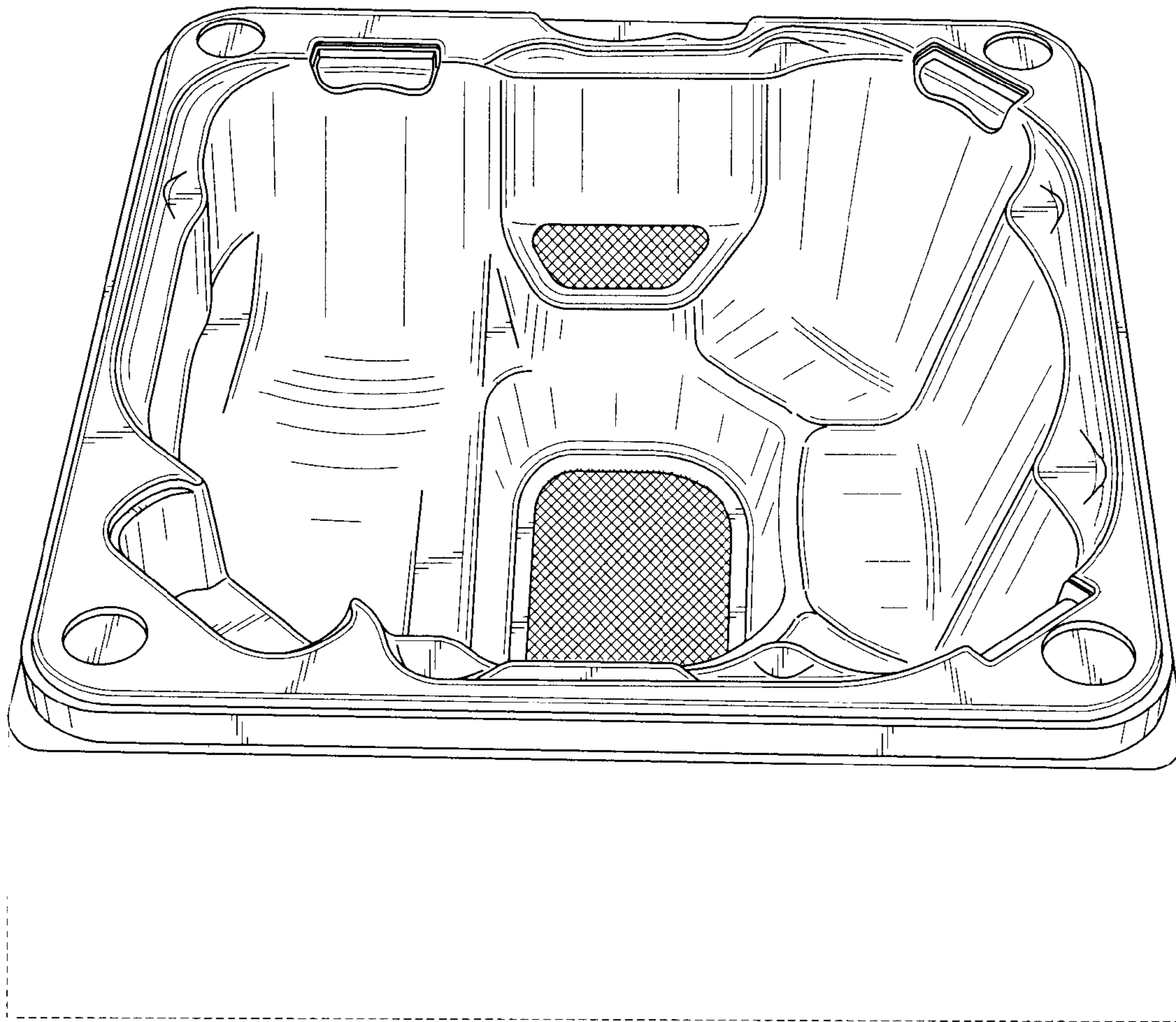
The broken lines are for illustrative purposes only and form no part of the claimed design.

**1 Claim, 4 Drawing Sheets**

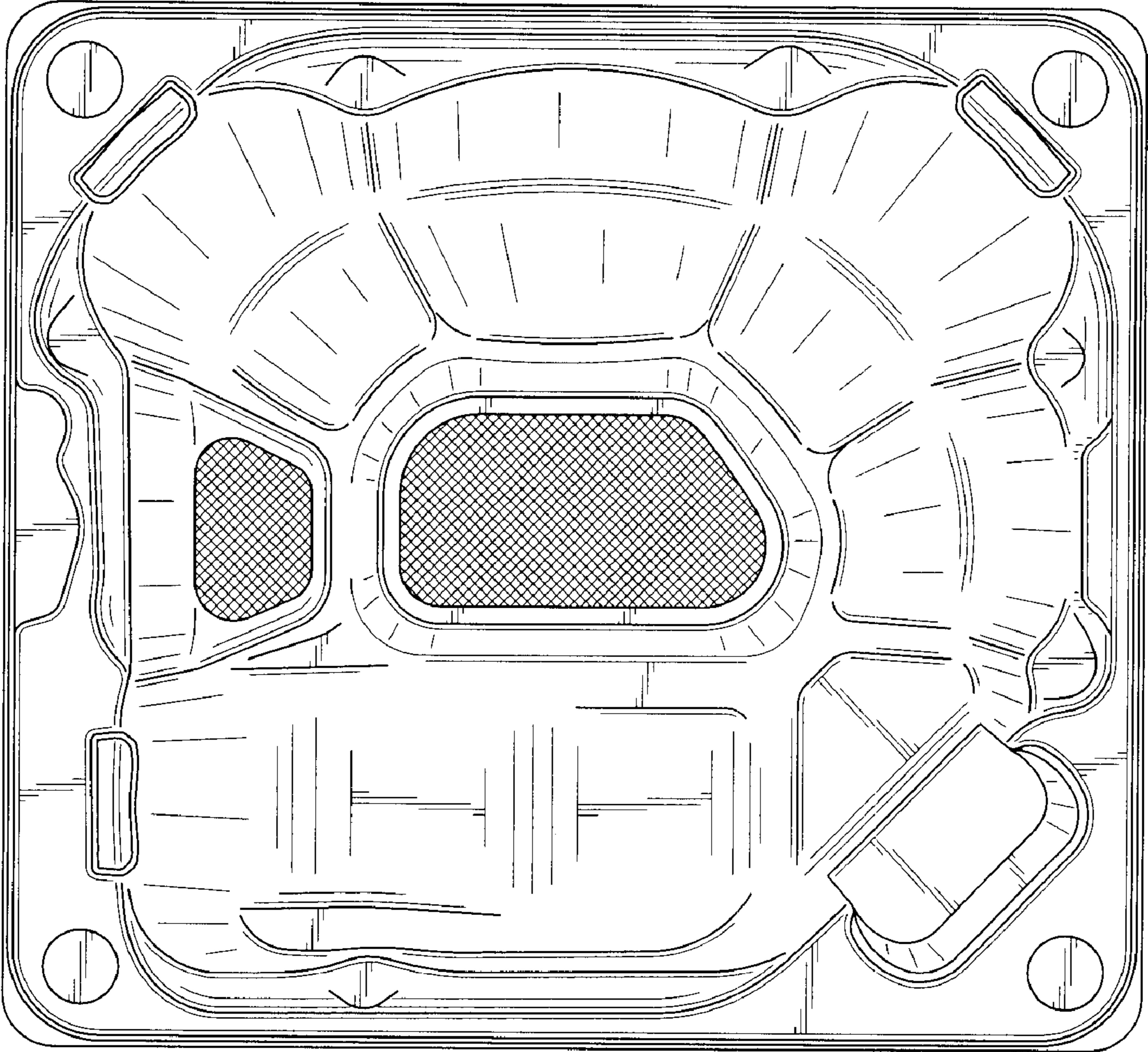




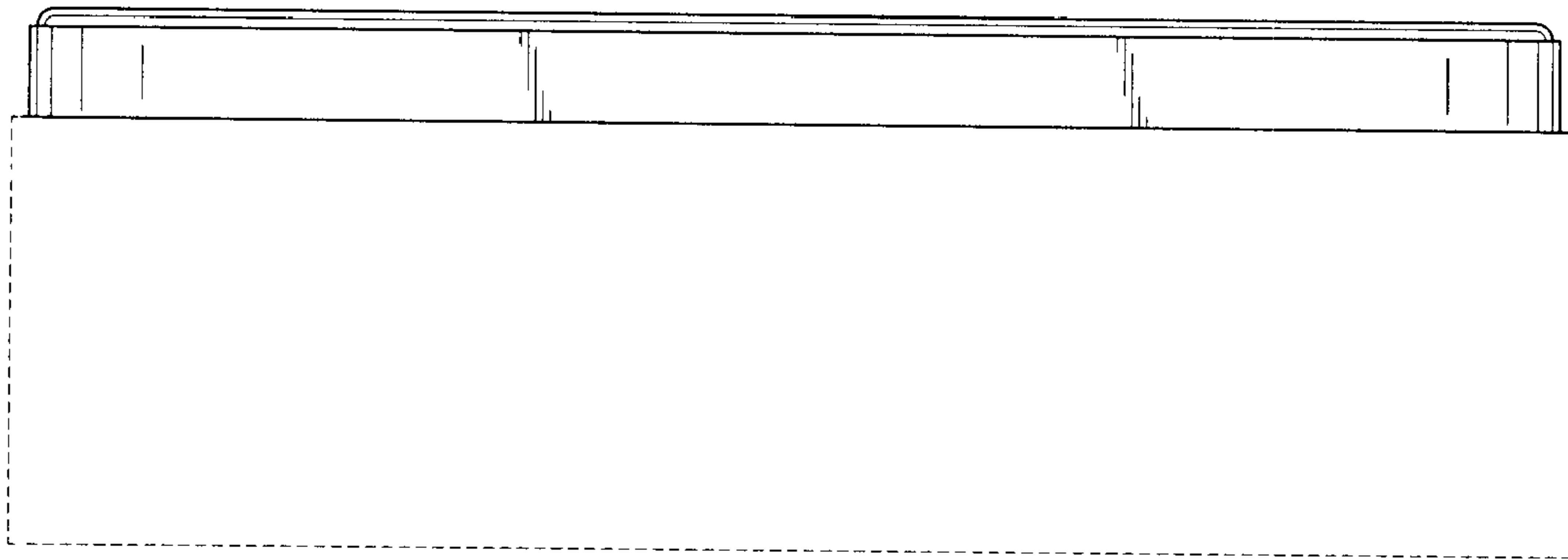
*FIG. 1*



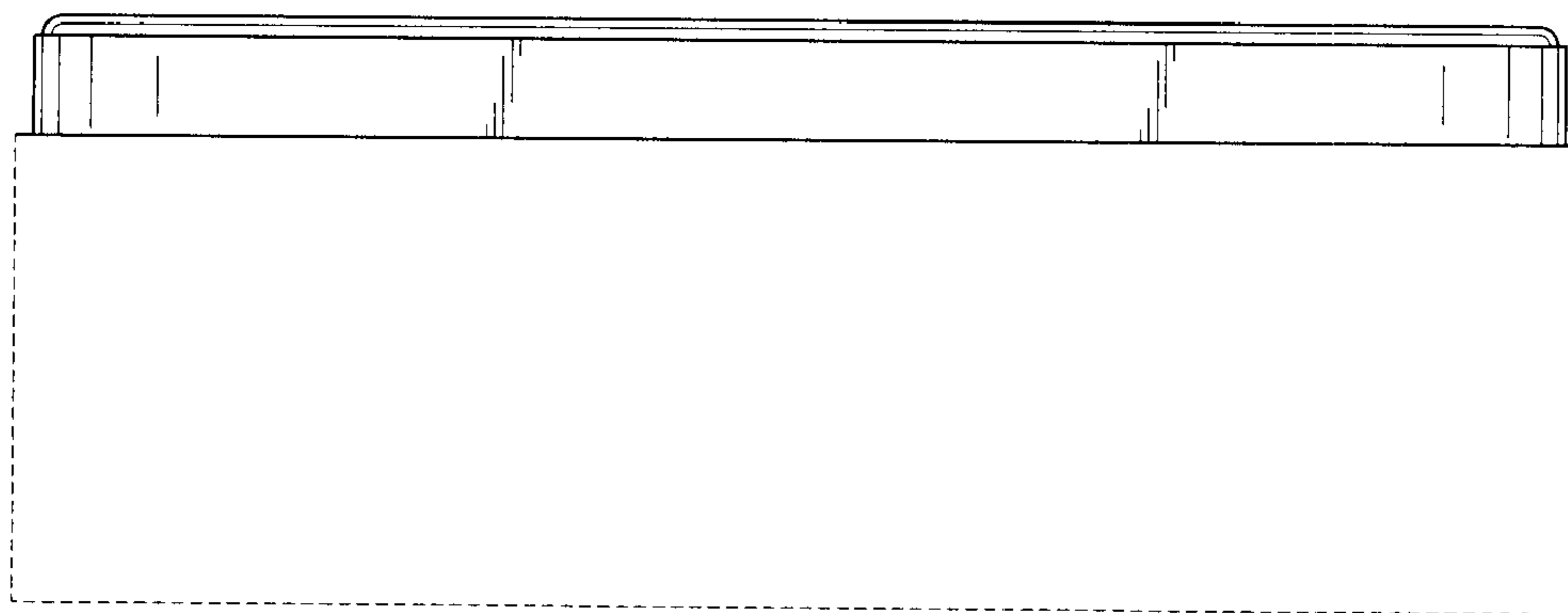
*FIG. 2*



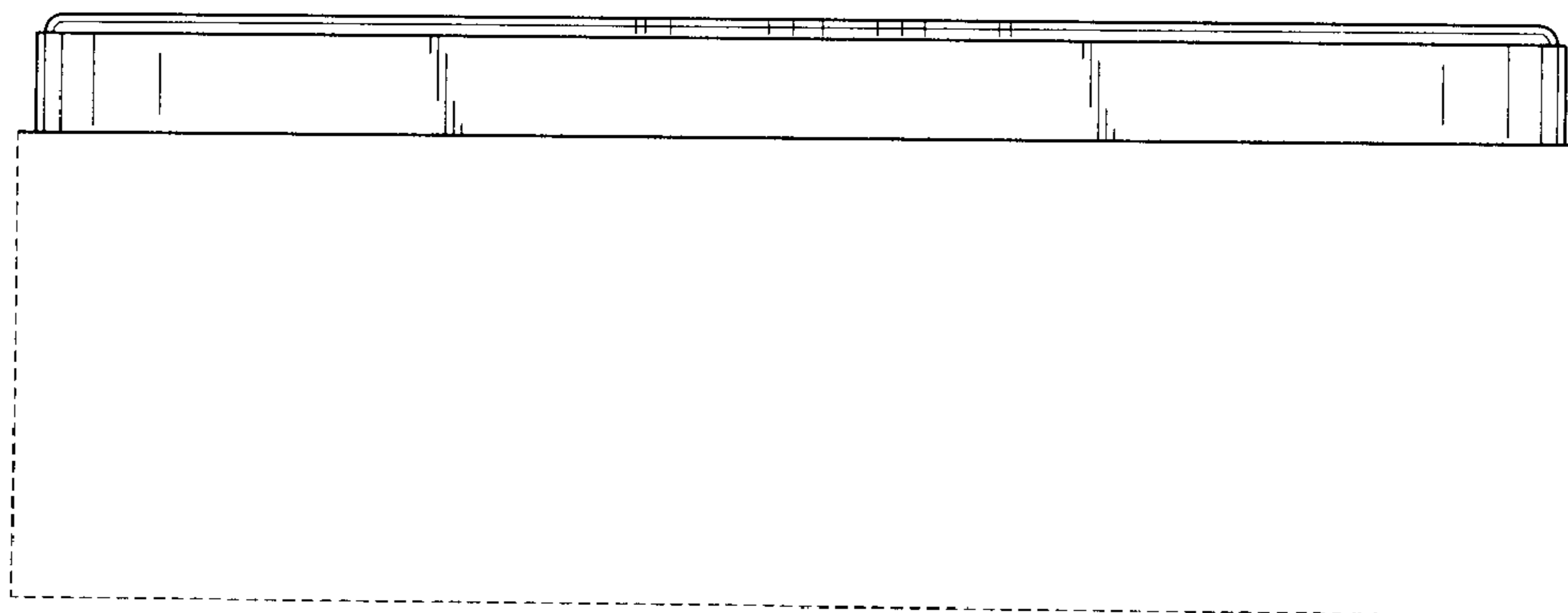
*FIG. 3*



*FIG. 4*



*FIG. 5*



*FIG. 6*