



US00D513322S

(12) **United States Design Patent**
Jackson, III et al.

(10) **Patent No.: US D513,322 S**
(45) **Date of Patent: ** Dec. 27, 2005**

(54) **PORTABLE CURING LIGHT BASE**
(75) Inventors: **David Jackson, III**, Aurora, OH (US);
Douglas J. Mansor, Tallmadge, OH (US)

5,928,220 A 7/1999 Shimoji
6,331,111 B1 12/2001 Cao
6,419,483 B1 7/2002 Adam et al.
D482,451 S * 11/2003 Page et al. D24/176

(73) Assignee: **Coltene/Whaledent, Inc.**, Cuyahoga Falls, OH (US)

FOREIGN PATENT DOCUMENTS

WO WO 03/065920 8/2003

(**) Term: **14 Years**

* cited by examiner

Primary Examiner—Charles A. Rademaker

(21) Appl. No.: **29/199,652**

(74) *Attorney, Agent, or Firm*—Katten Muchin Rosenman LLP

(22) Filed: **Feb. 18, 2004**

(57) **CLAIM**

(51) **LOC (6) Cl.** **24-04**

The ornamental design for a portable curing light base, as shown and described.

(52) **U.S. Cl.** **D24/176**

(58) **Field of Search** D24/176–182,
D24/152–153; D13/107, 108; 433/39, 3,
50, 53, 114, 141, 144; 606/2, 28, 2.5, 161;
435/141, 2; 604/1

DESCRIPTION

(56) **References Cited**

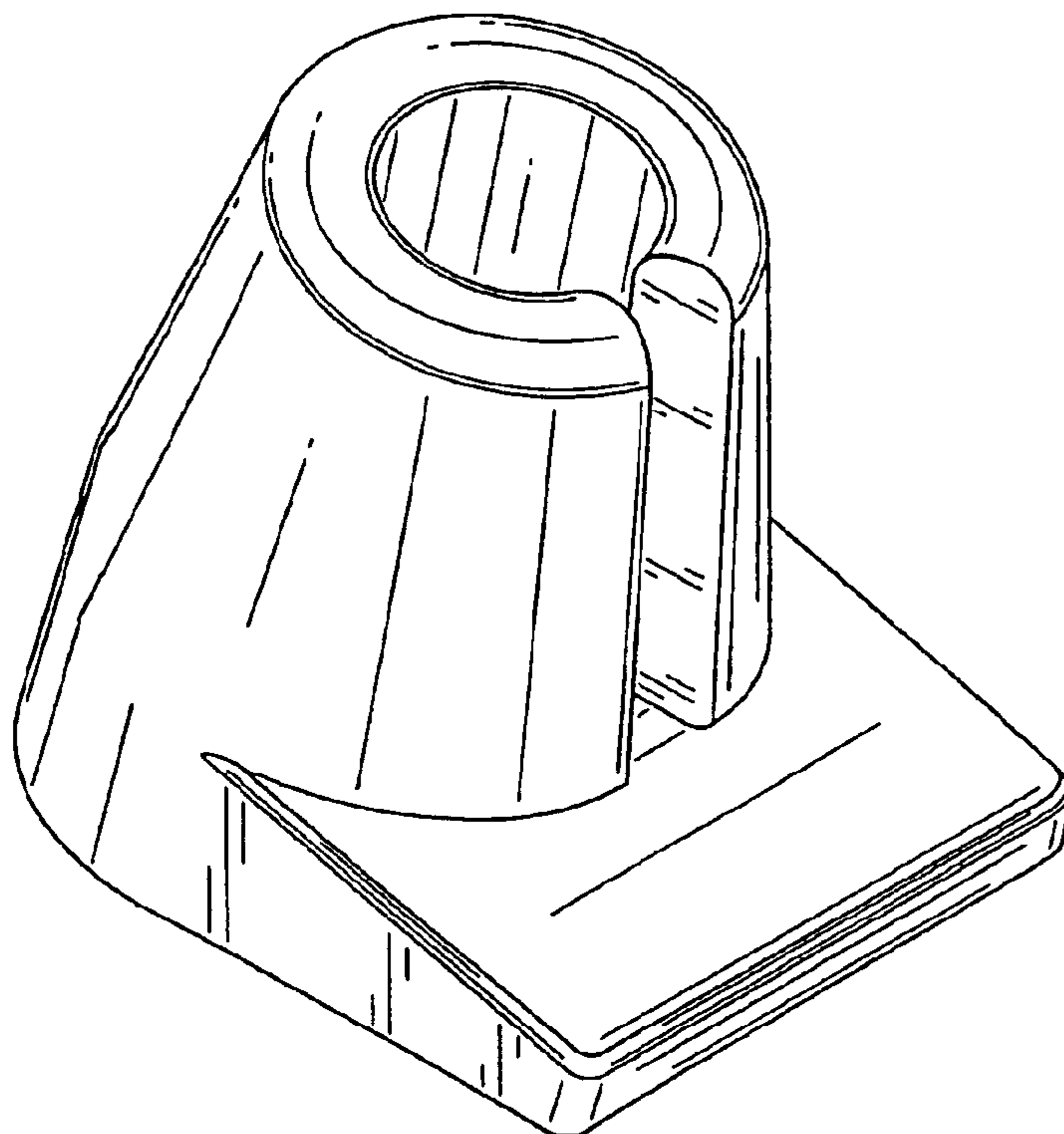
U.S. PATENT DOCUMENTS

D204,881 S * 5/1966 Cook D13/108
D216,292 S * 12/1969 DeVarco D13/108
D334,170 S * 3/1993 Rams et al. D13/108
D342,718 S * 12/1993 Mackay D13/108
D346,657 S * 5/1994 LaPlante et al. D24/176
5,420,768 A 5/1995 Kennedy
5,471,129 A 11/1995 Mann
D395,280 S * 6/1998 Phelps D13/108

FIG. 1 is a perspective view of a portable curing light base showing our new design;
FIG. 2 is a bottom elevation view thereof;
FIG. 3 is a top elevation view thereof;
FIG. 4 is a left edge view thereof;
FIG. 5 is a right edge view thereof;
FIG. 6 is a front edge view thereof; and,
FIG. 7 is a rear edge view thereof.

The broken line showing of in FIGS. 3 and 7 is for illustrative purposes only and forms no part of the claimed design.

1 Claim, 4 Drawing Sheets



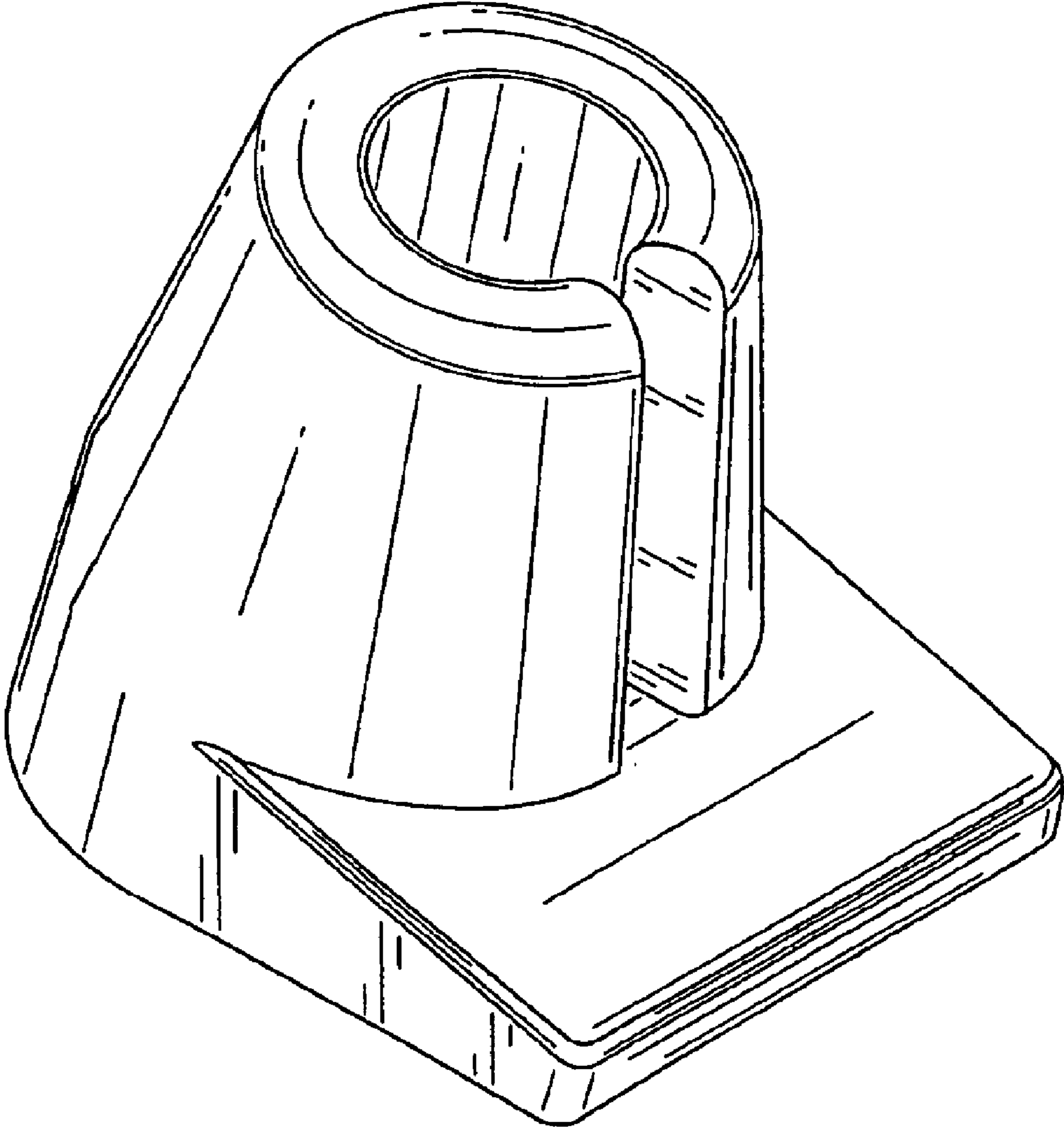


FIG. 1

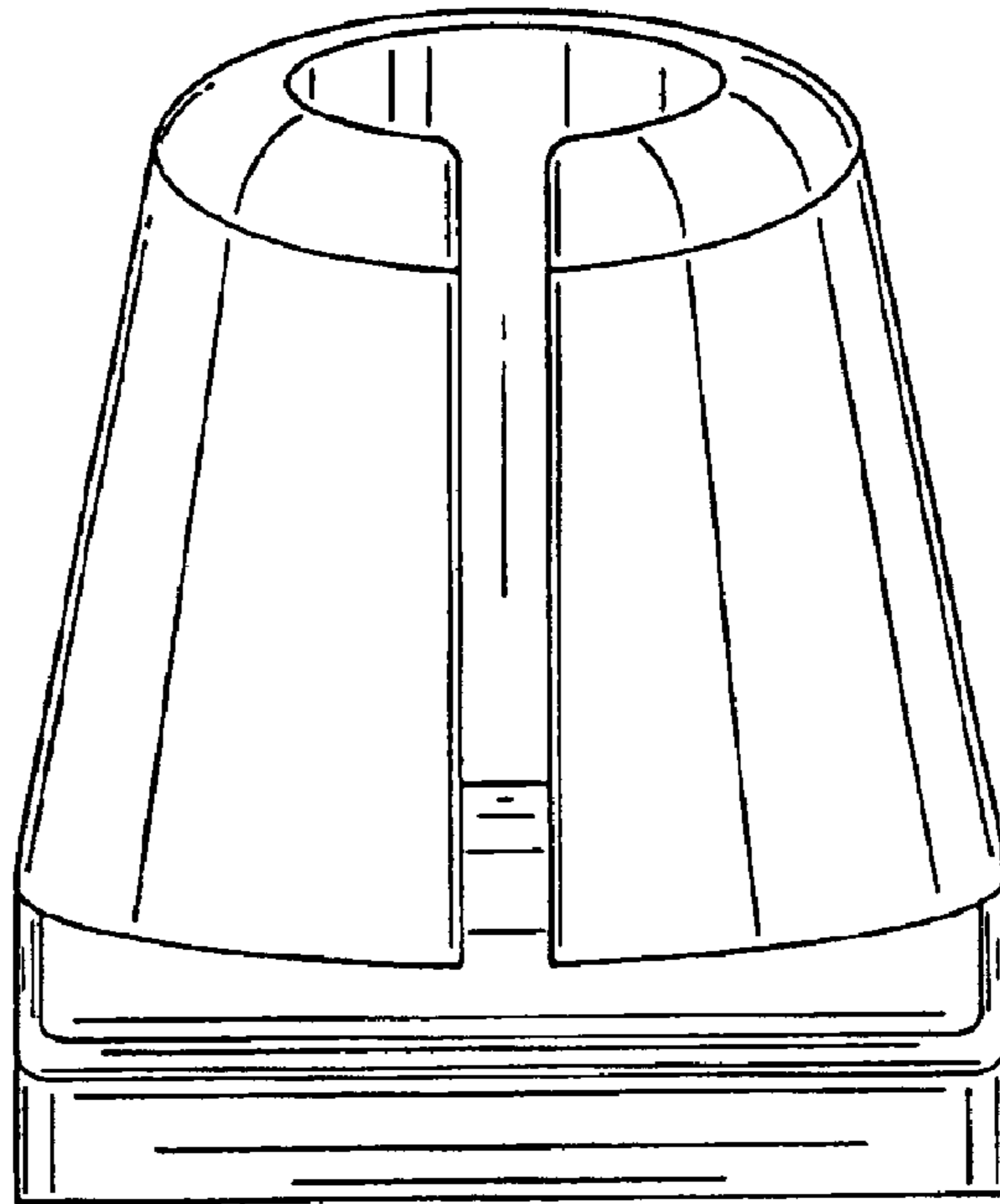


FIG. 2

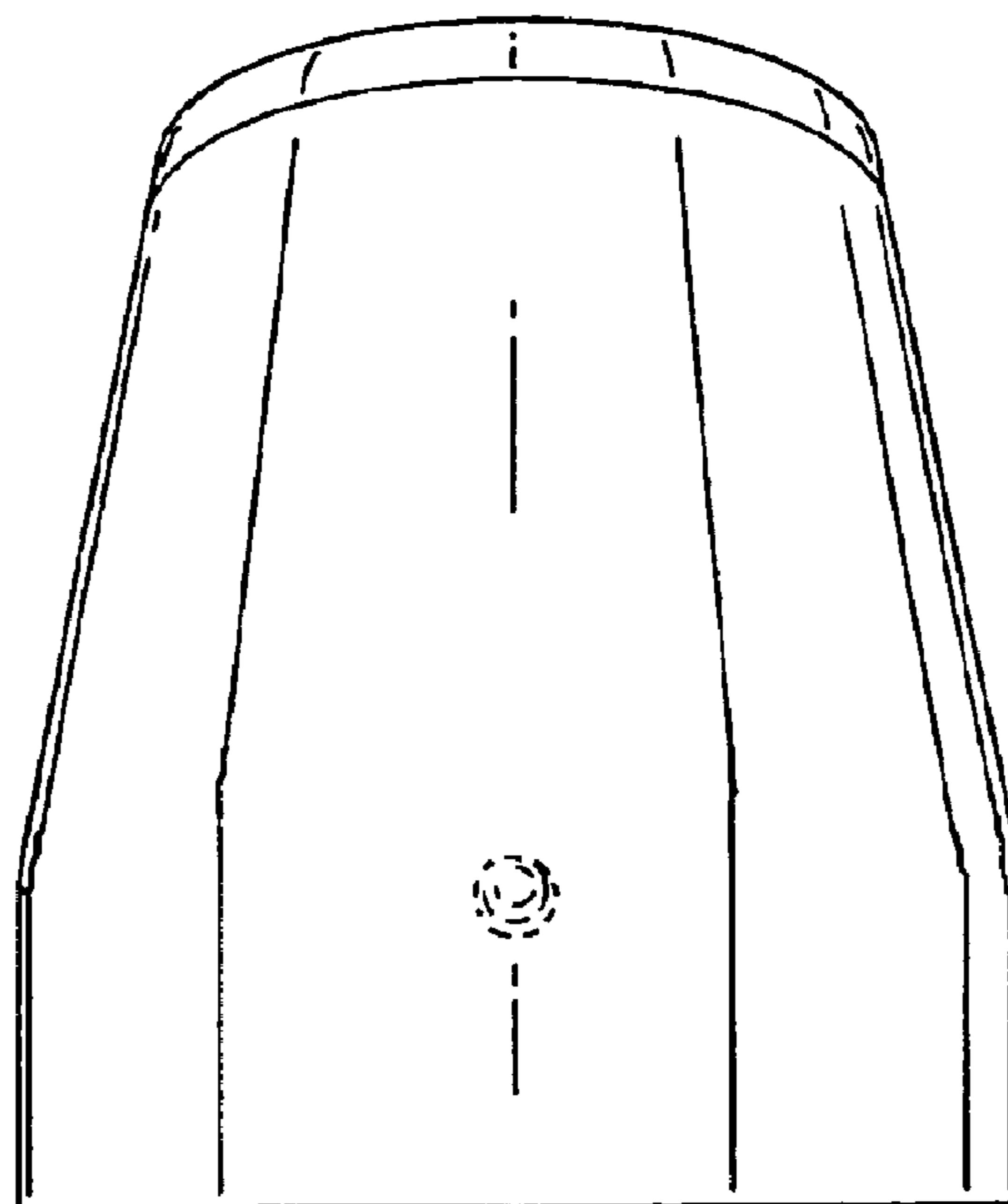


FIG. 3

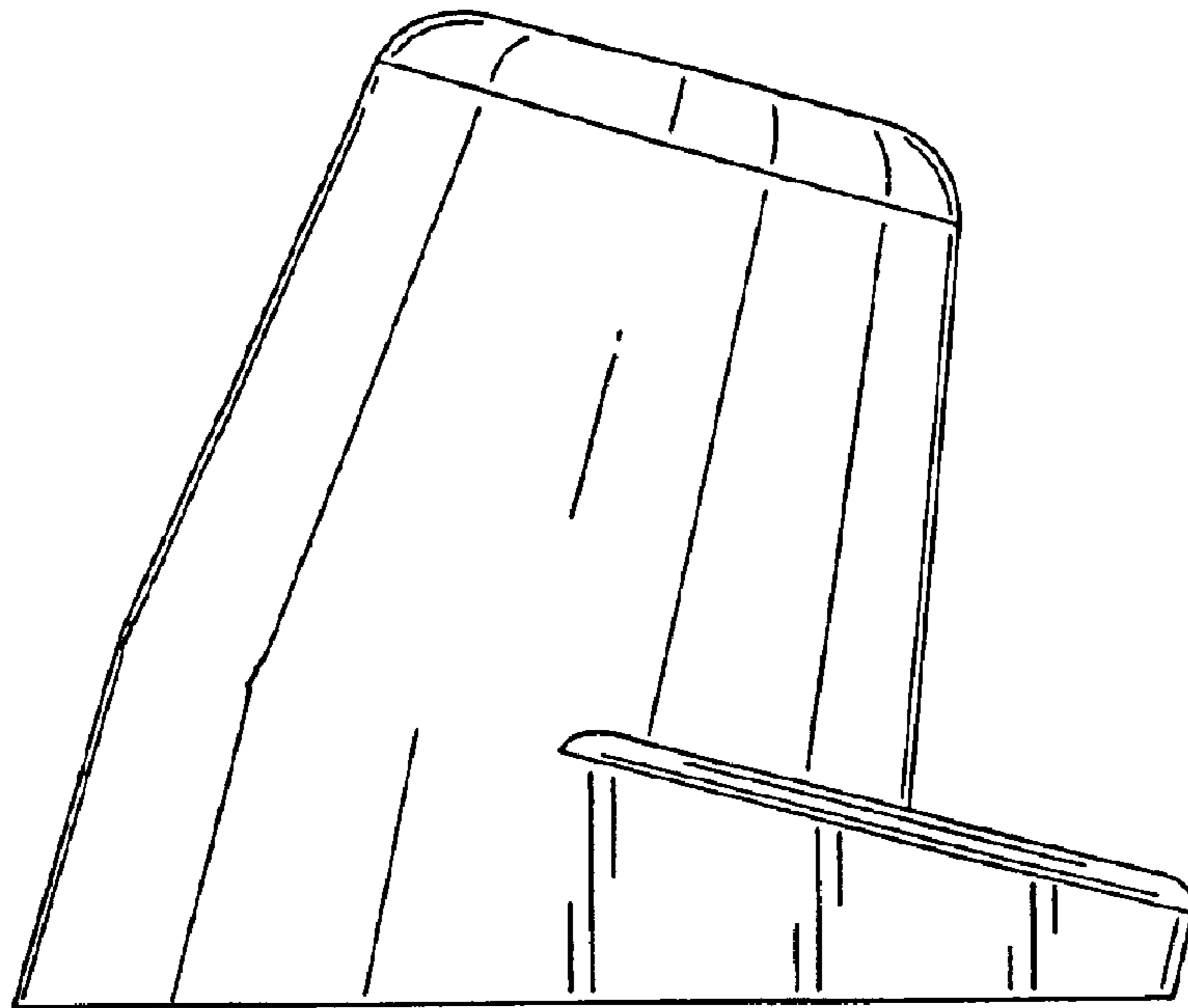


FIG. 4

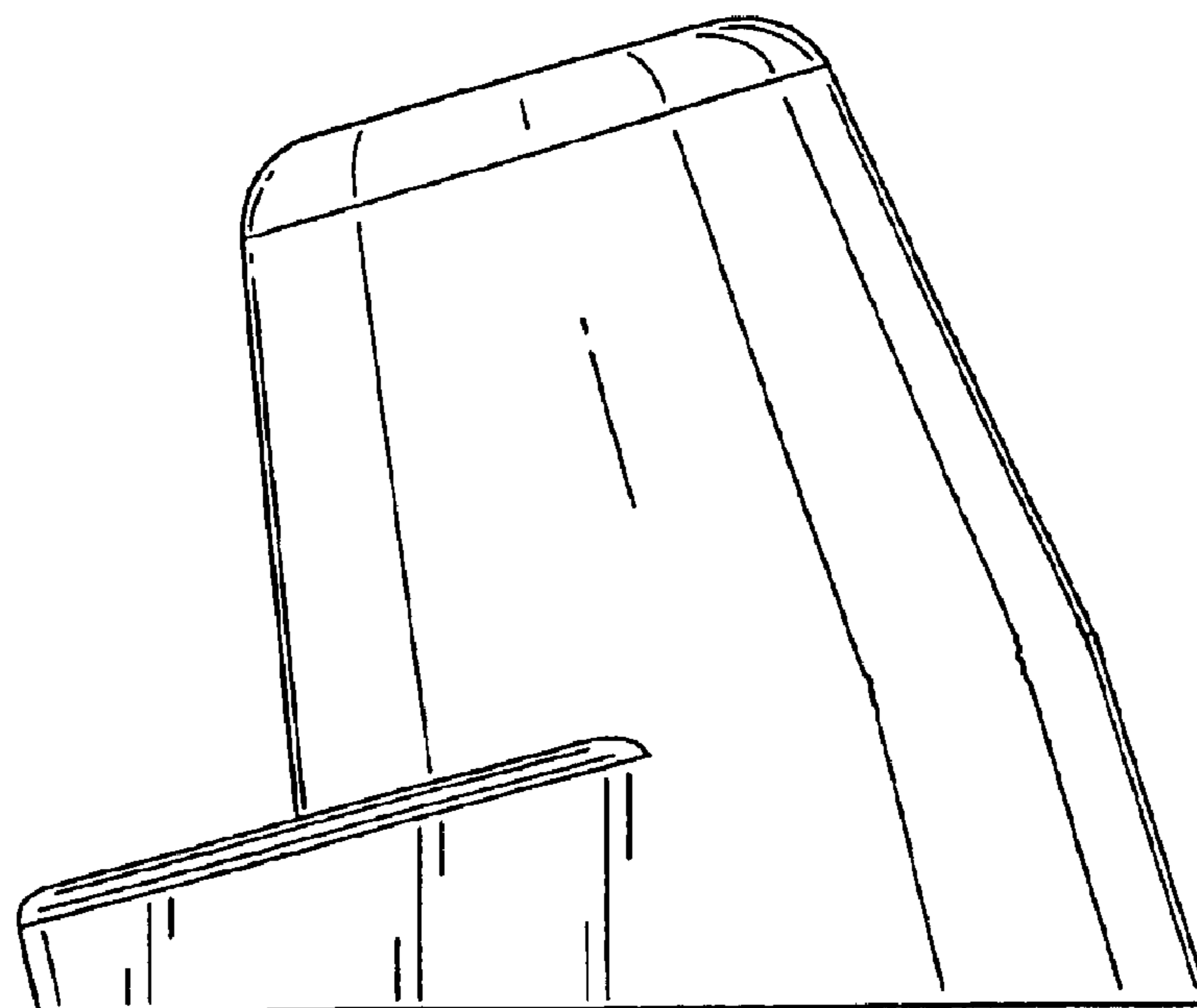


FIG. 5

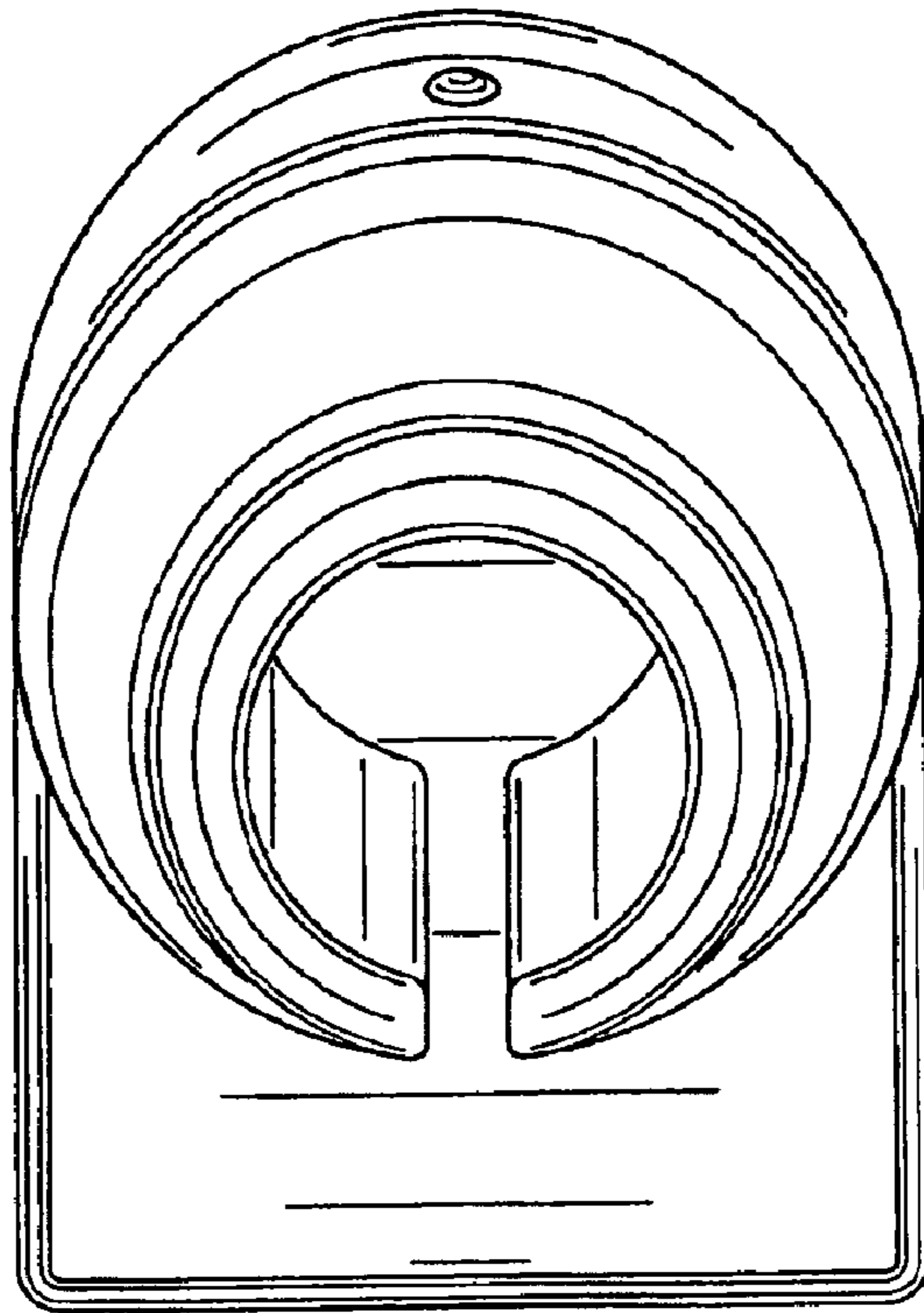


FIG. 6

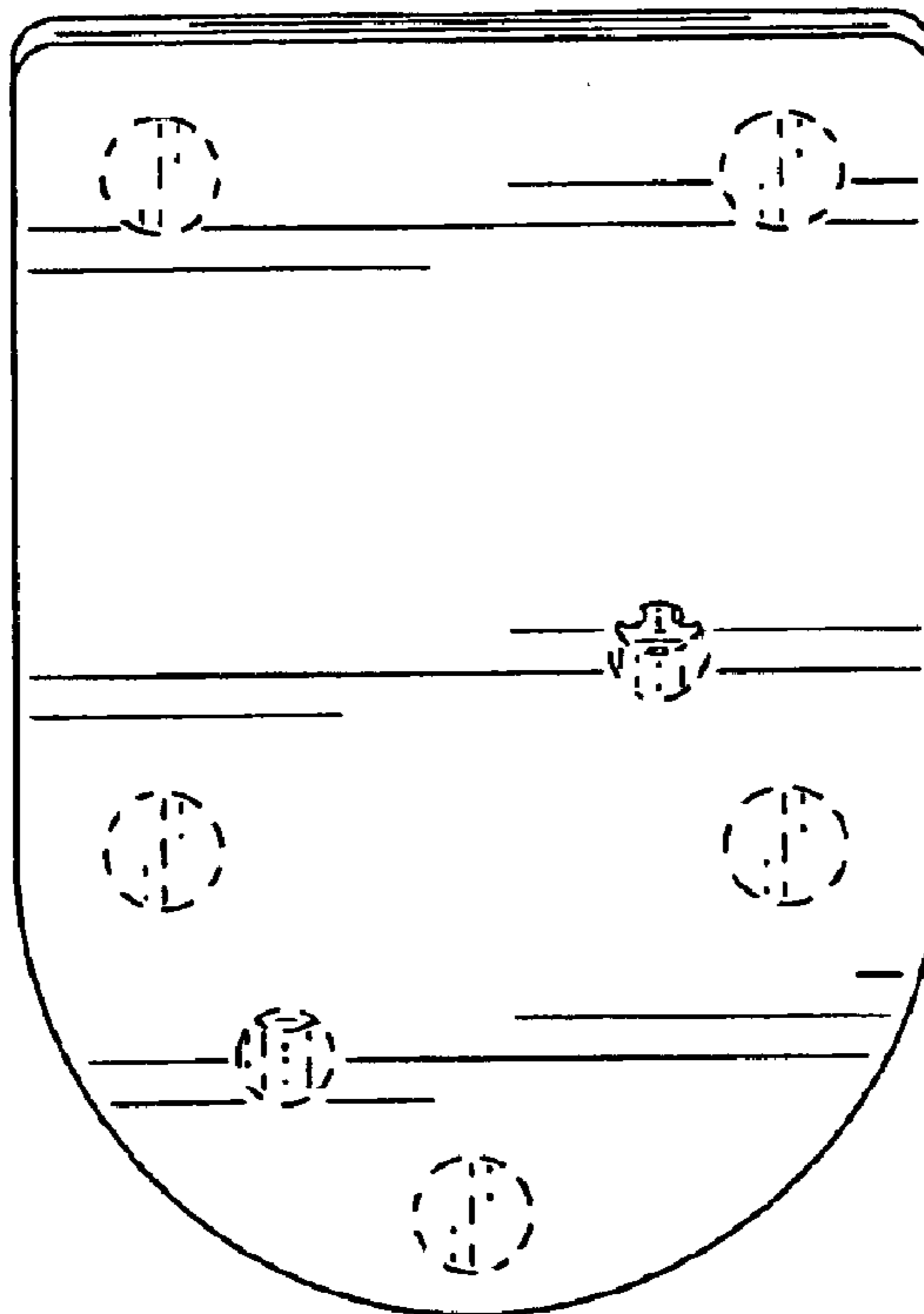


FIG. 7