



US00D513320S

(12) **United States Design Patent**
Stubkjaer

(10) **Patent No.: US D513,320 S**

(45) **Date of Patent: ** Dec. 27, 2005**

(54) **ENDOSCOPY FLUID PUMP TUBING CASSETTE**

(75) **Inventor: Eric N. Stubkjaer, Seminole, FL (US)**

(73) **Assignee: Linvatec Corporation, Largo, FL (US)**

(**) **Term: 14 Years**

(21) **Appl. No.: 29/199,684**

(22) **Filed: Feb. 18, 2004**

(51) **LOC (6) Cl. 24-02**

(52) **U.S. Cl. D24/111**

(58) **Field of Search D24/111; D15/7;
604/131, 246, 153, 132; 128/DIG. 12; 417/477.1,
477.2, 477.13, 477.14, 477.12**

(56) **References Cited**

U.S. PATENT DOCUMENTS

D374,718 S * 10/1996 Dodge et al. D24/111
6,468,059 B2 * 10/2002 Haser et al. 417/477.1

D477,867 S * 7/2003 O'Mahony et al. D24/111
2005/0095155 A1 * 5/2005 Blight et al. 417/477.13

* cited by examiner

Primary Examiner—Ian Simmons

(74) *Attorney, Agent, or Firm*—Gene Warzecha

(57) **CLAIM**

The ornamental design for an endoscopy fluid pump tubing cassette, substantially as shown.

DESCRIPTION

FIG. 1 is a front perspective view of an endoscopy fluid pump showing my new design.

FIG. 2 is a front elevation view thereof.

FIG. 3 is a rear elevation view thereof.

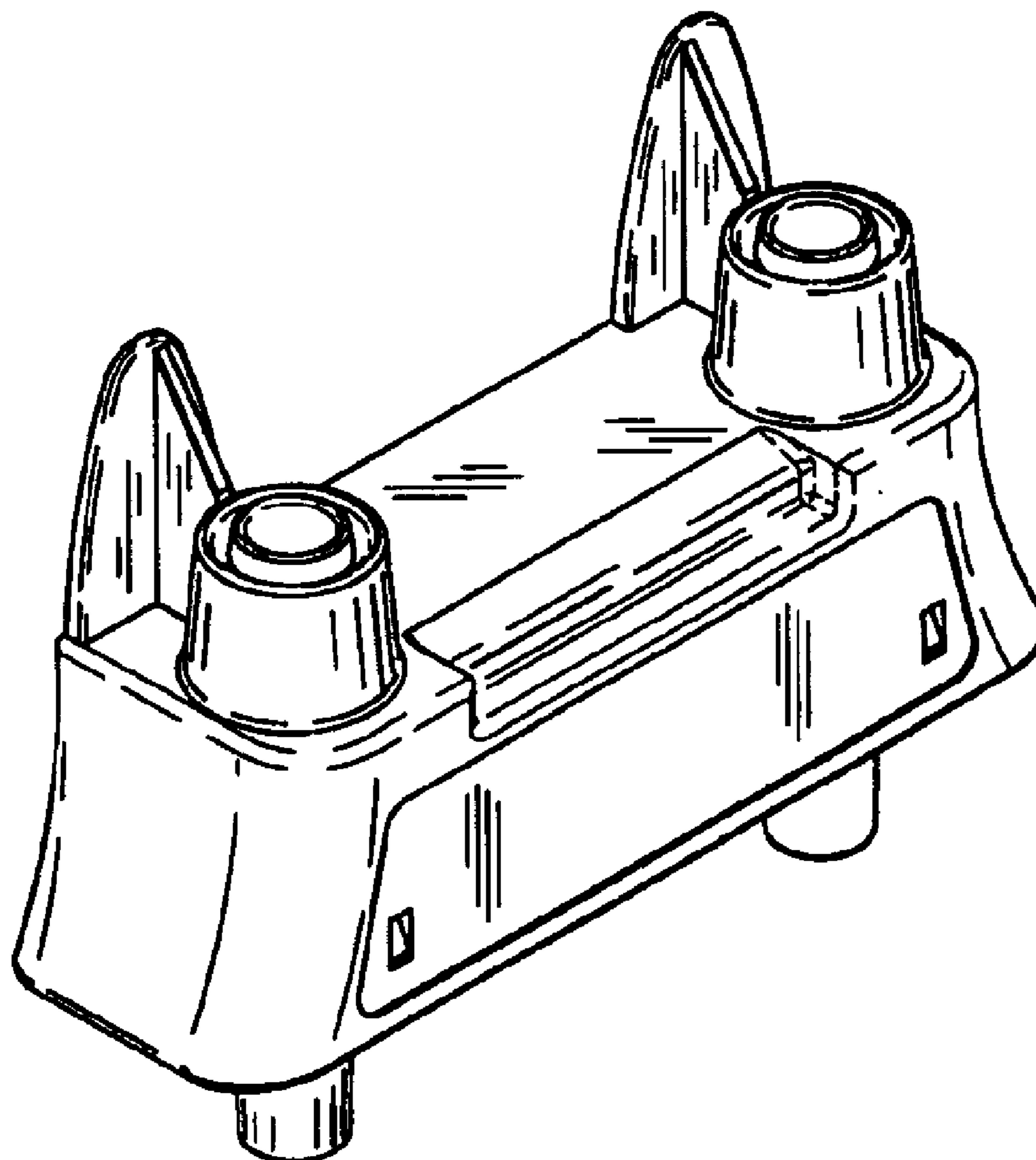
FIG. 4 is a left side elevation view thereof.

FIG. 5 is a right side elevation view thereof.

FIG. 6 is a top plan view thereof; and,

FIG. 7 is a bottom plan view thereof.

1 Claim, 3 Drawing Sheets



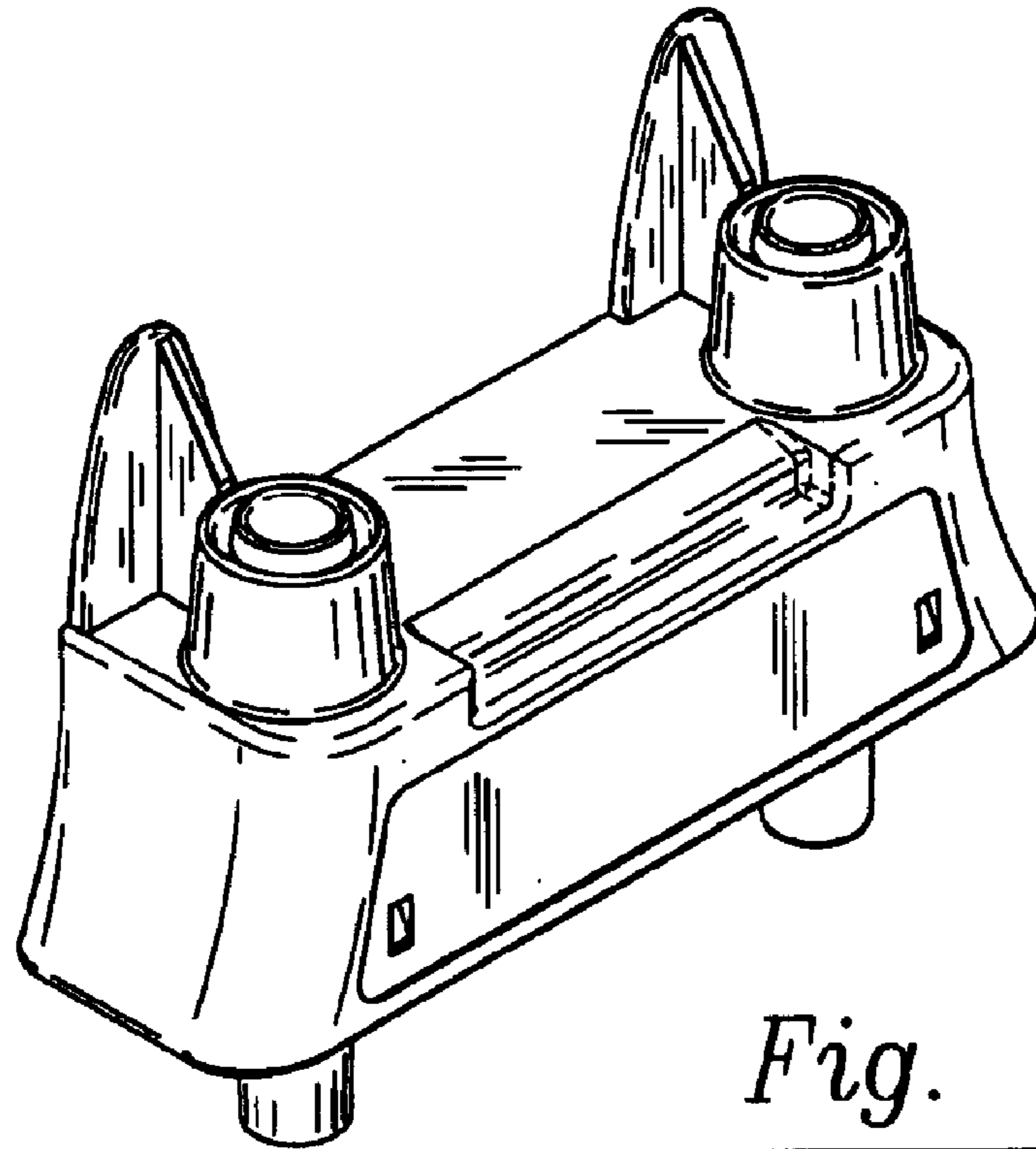


Fig. 1

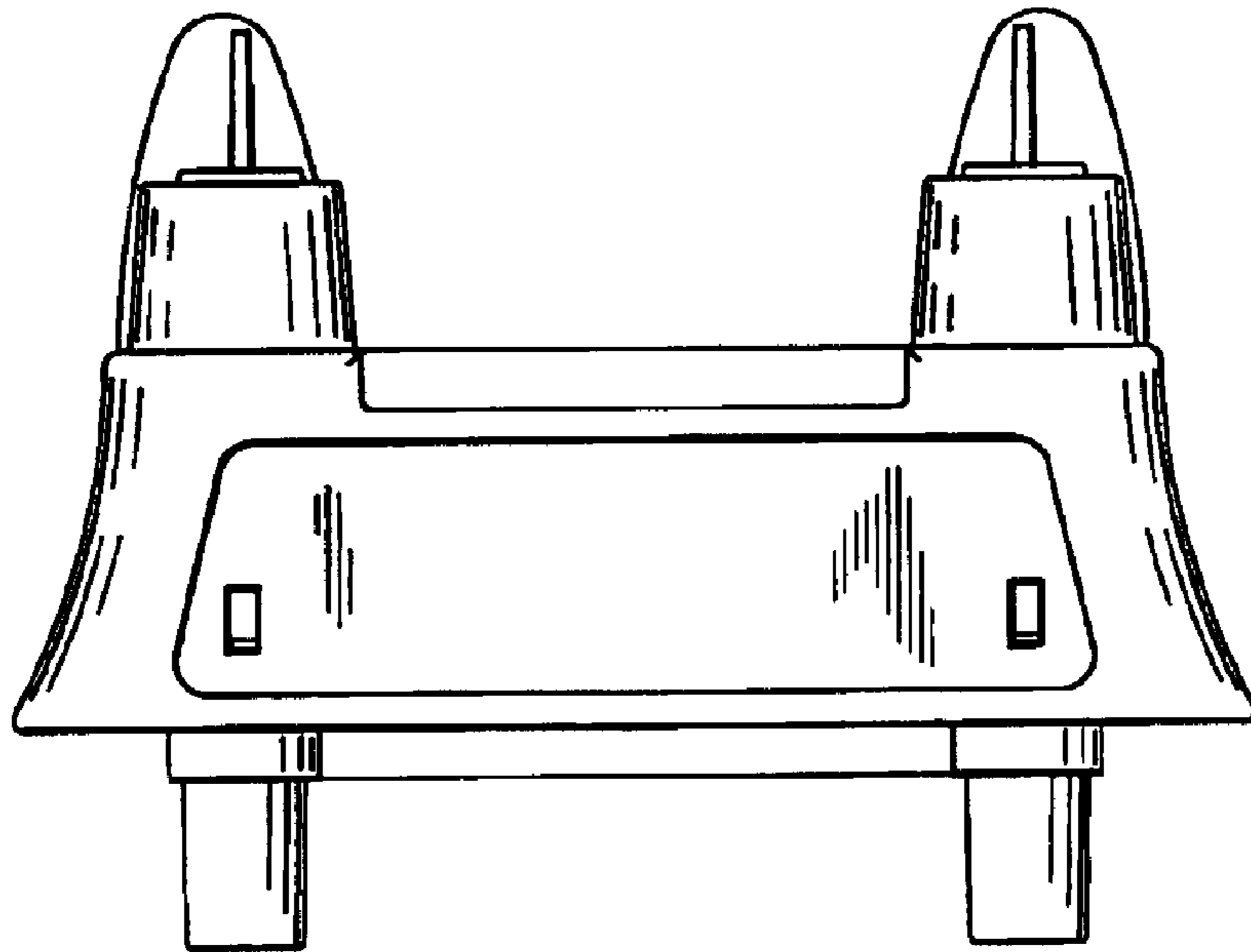


Fig. 2

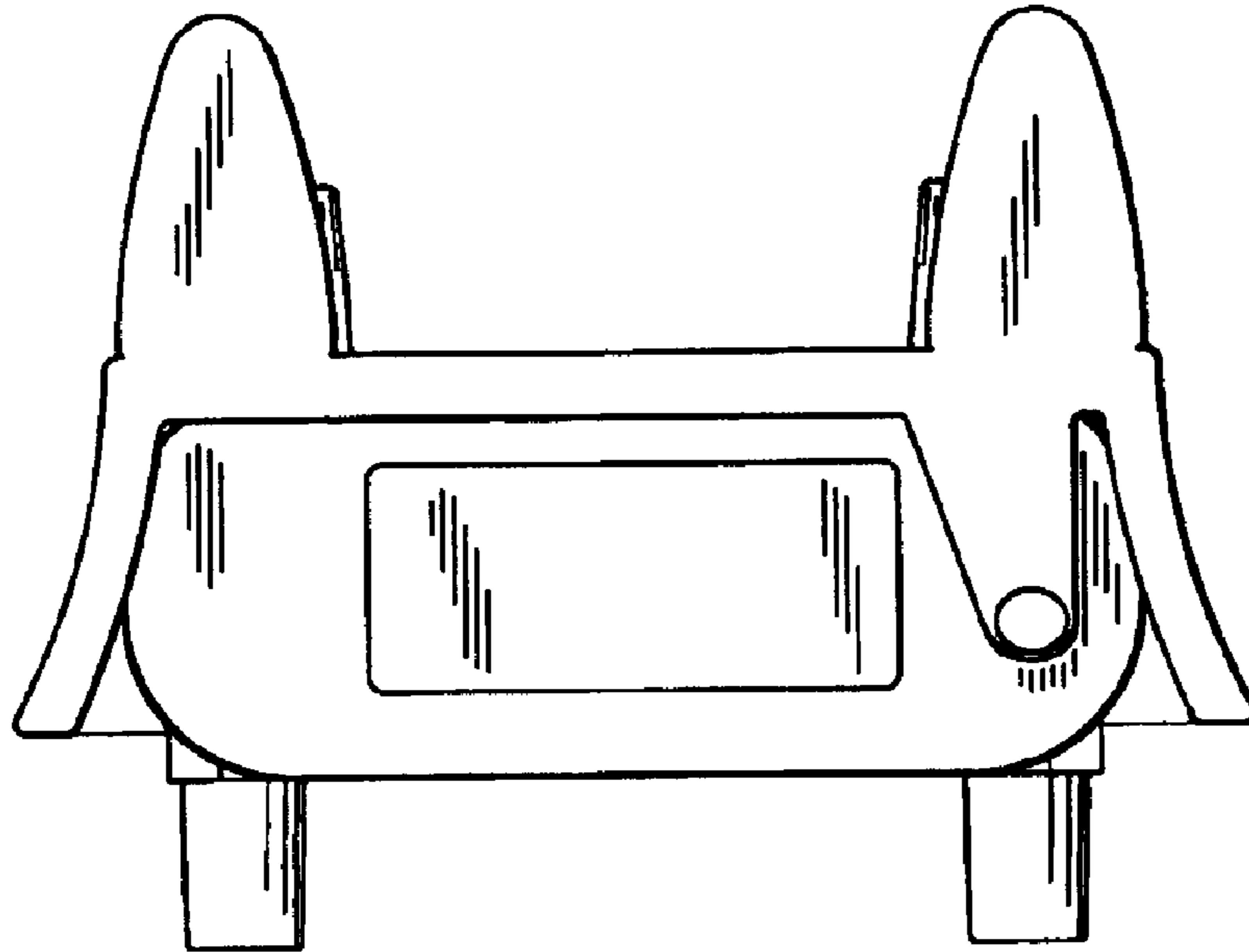


Fig. 3

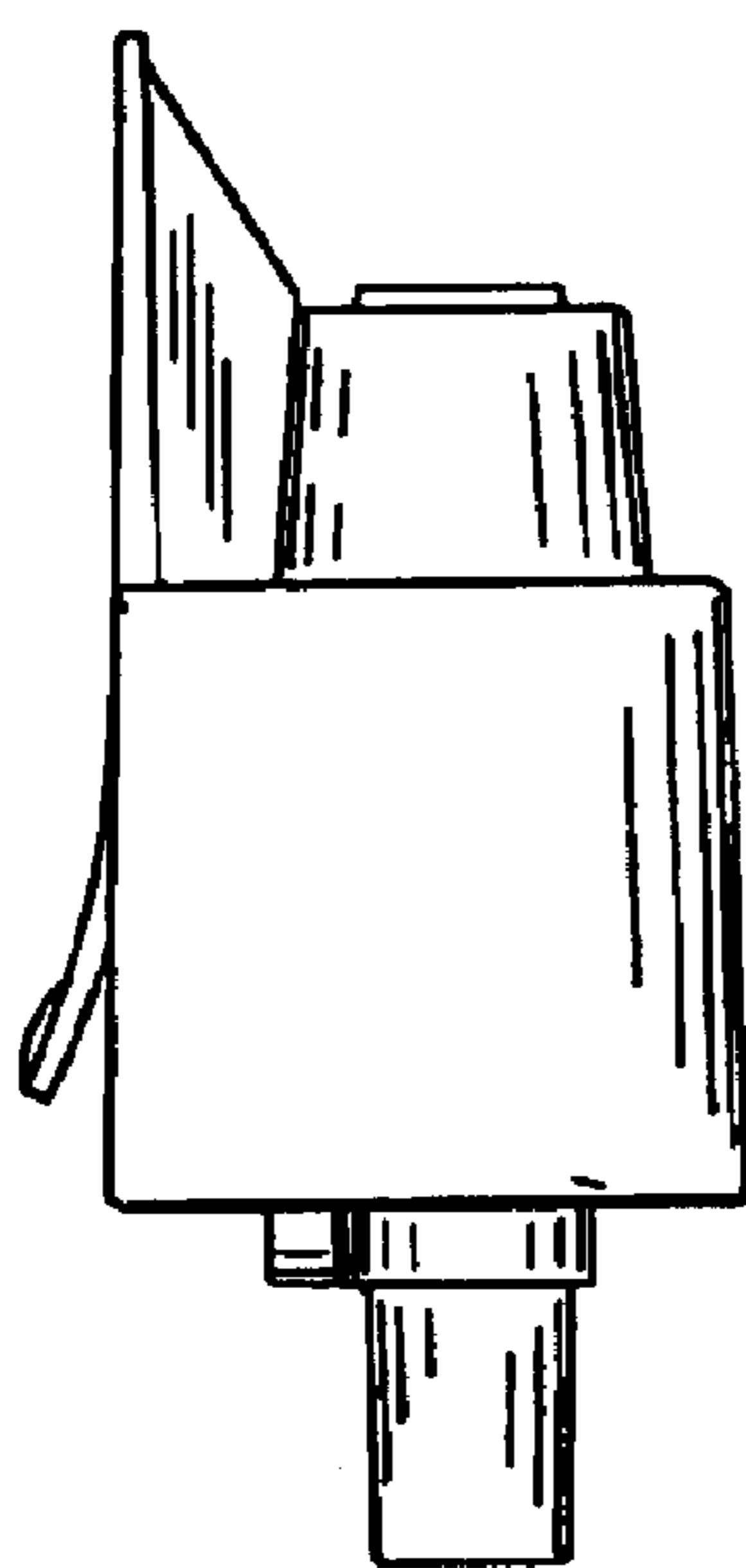


Fig. 4

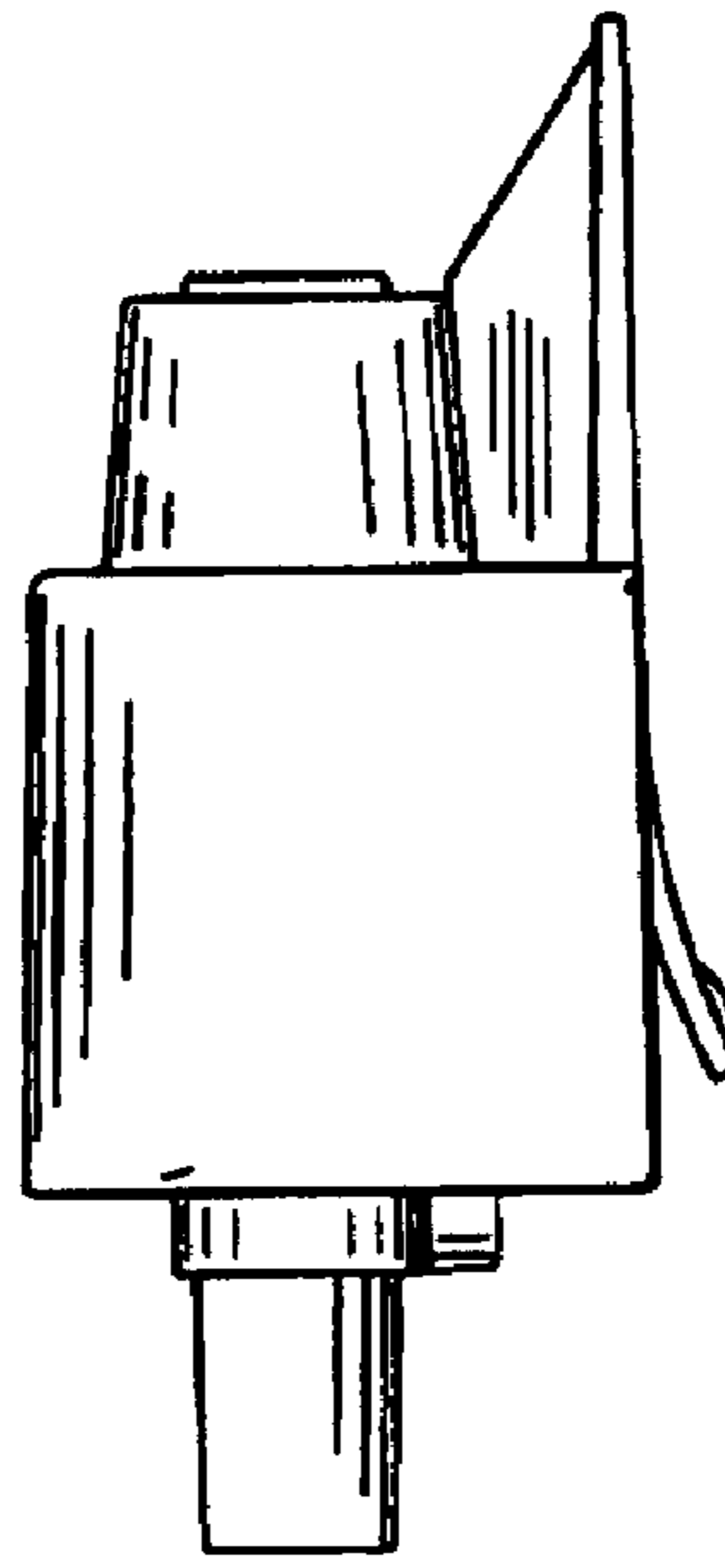


Fig. 5

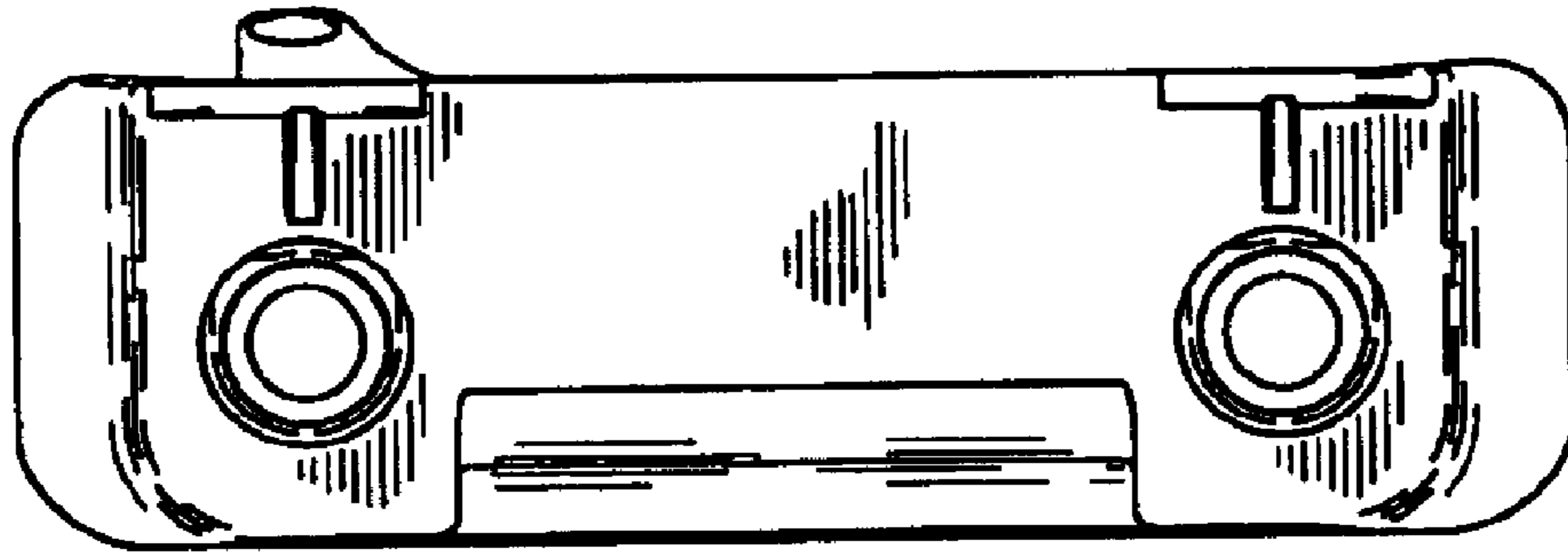


Fig. 6

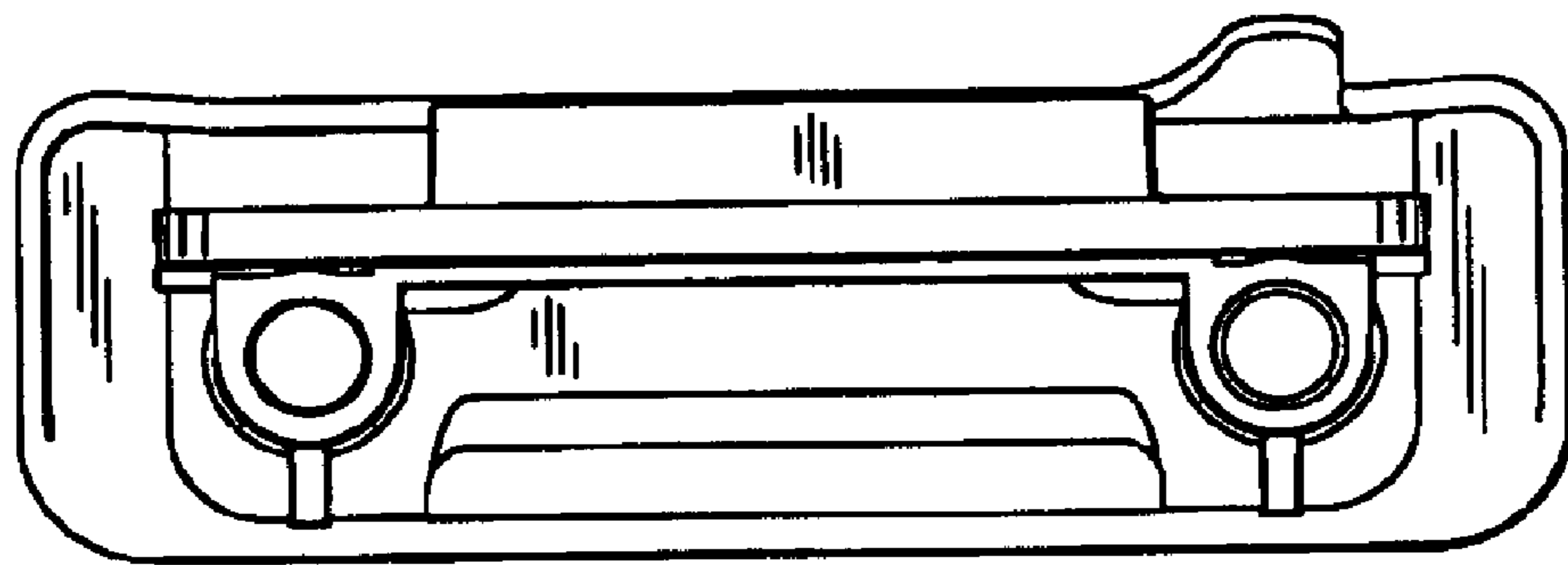


Fig. 7