



US00D513318S

(12) **United States Design Patent** (10) **Patent No.:** **US D513,318 S**
Jones (45) **Date of Patent:** **** Dec. 27, 2005**

(54) **ELECTRIC FAN**

(75) **Inventor:** **Dominic Jones**, Brighton, MA (US)

(73) **Assignee:** **Four Star International Trading Company** (TW)

(**) **Term:** **14 Years**

(21) **Appl. No.:** **29/183,308**

(22) **Filed:** **Jun. 10, 2003**

(51) **LOC (6) Cl.** **23-04**

(52) **U.S. Cl.** **D23/382**

(58) **Field of Search** D23/370, 381,
D23/382, 411, 412, 332; 416/244 R, 246,
247 R

(56) **References Cited**

U.S. PATENT DOCUMENTS

D426,296 S * 6/2000 Blateri D23/382
D452,734 S * 1/2002 Blateri et al. D23/382

* cited by examiner

Primary Examiner—Lisa Lichtenstein

(74) *Attorney, Agent, or Firm*—Salter & Michaelson

(57) **CLAIM**

The ornamental design for an electric fan, as shown and described.

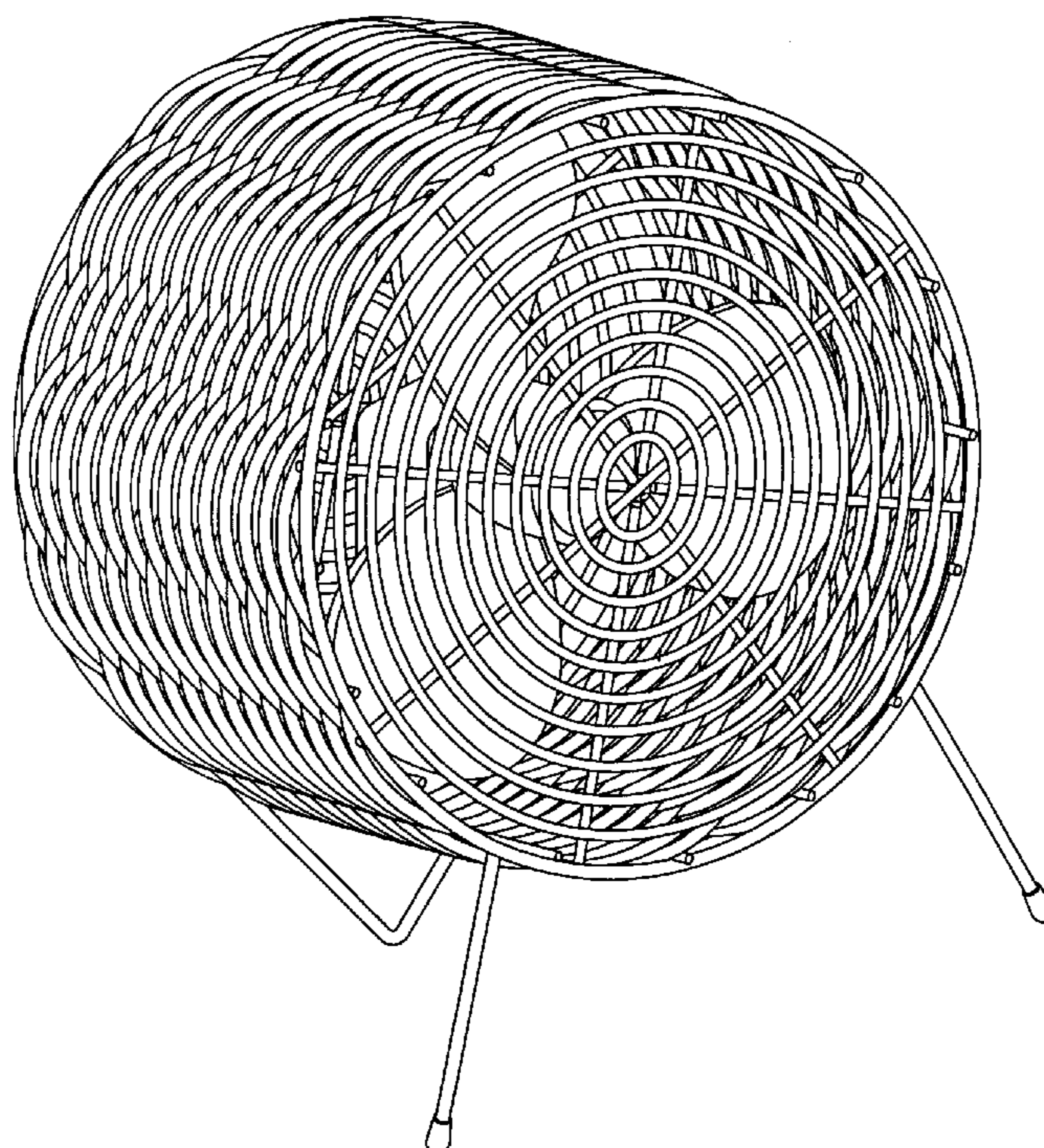
DESCRIPTION

FIG. 1 is a perspective view of an electric fan showing my new design;

FIG. 2 is a front elevational view thereof;
FIG. 3 is a rear elevational view thereof;
FIG. 4 is a left side elevational view thereof;
FIG. 5 is a right side elevational view thereof;
FIG. 6 is a top plan view thereof;
FIG. 7 is a bottom plan view thereof;
FIG. 8 is a perspective view of a second embodiment form of my design;
FIG. 9 is a front elevational view of FIG. 8;
FIG. 10 is a rear elevational view of FIG. 8;
FIG. 11 is a right side elevational view of FIG. 8;
FIG. 12 is a left side elevational view of FIG. 8;
FIG. 13 is a top plan view of FIG. 8;
FIG. 14 is a bottom plan view thereof;
FIG. 15 is a perspective view of a third embodiment form of my design;
FIG. 16 is a front elevational view of FIG. 15;
FIG. 17 is a rear elevational view of FIG. 15;
FIG. 18 is a left side elevational view of FIG. 15;
FIG. 19 is a right side elevational view of FIG. 15;
FIG. 20 is a top plan view of FIG. 15; and,
FIG. 21 is a bottom plan view of FIG. 15.

The broken-line portions shown in FIGS. 1, 8 and 15 are for illustration only and form no part of the claimed design.

1 Claim, 17 Drawing Sheets



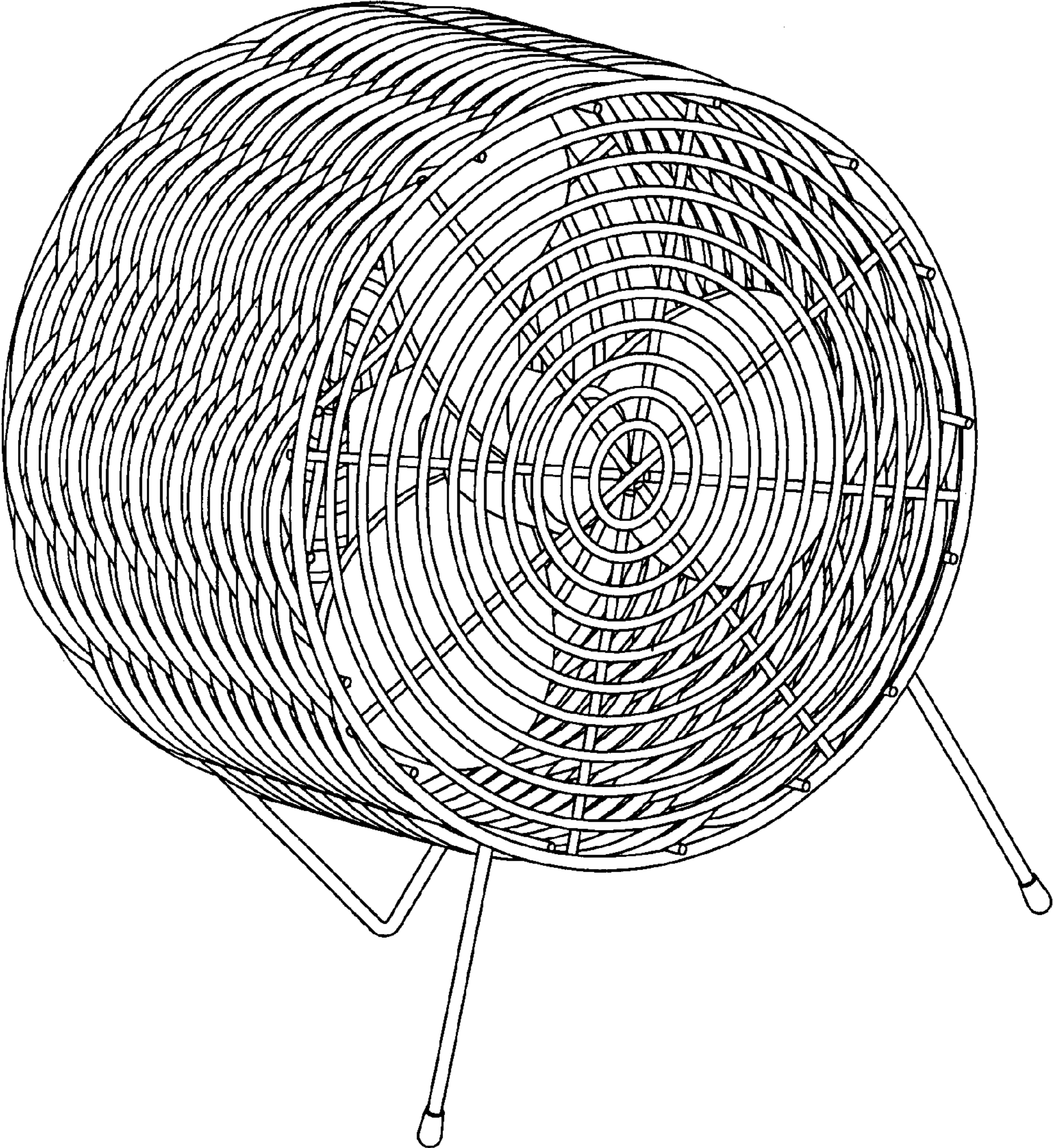


FIG. 1

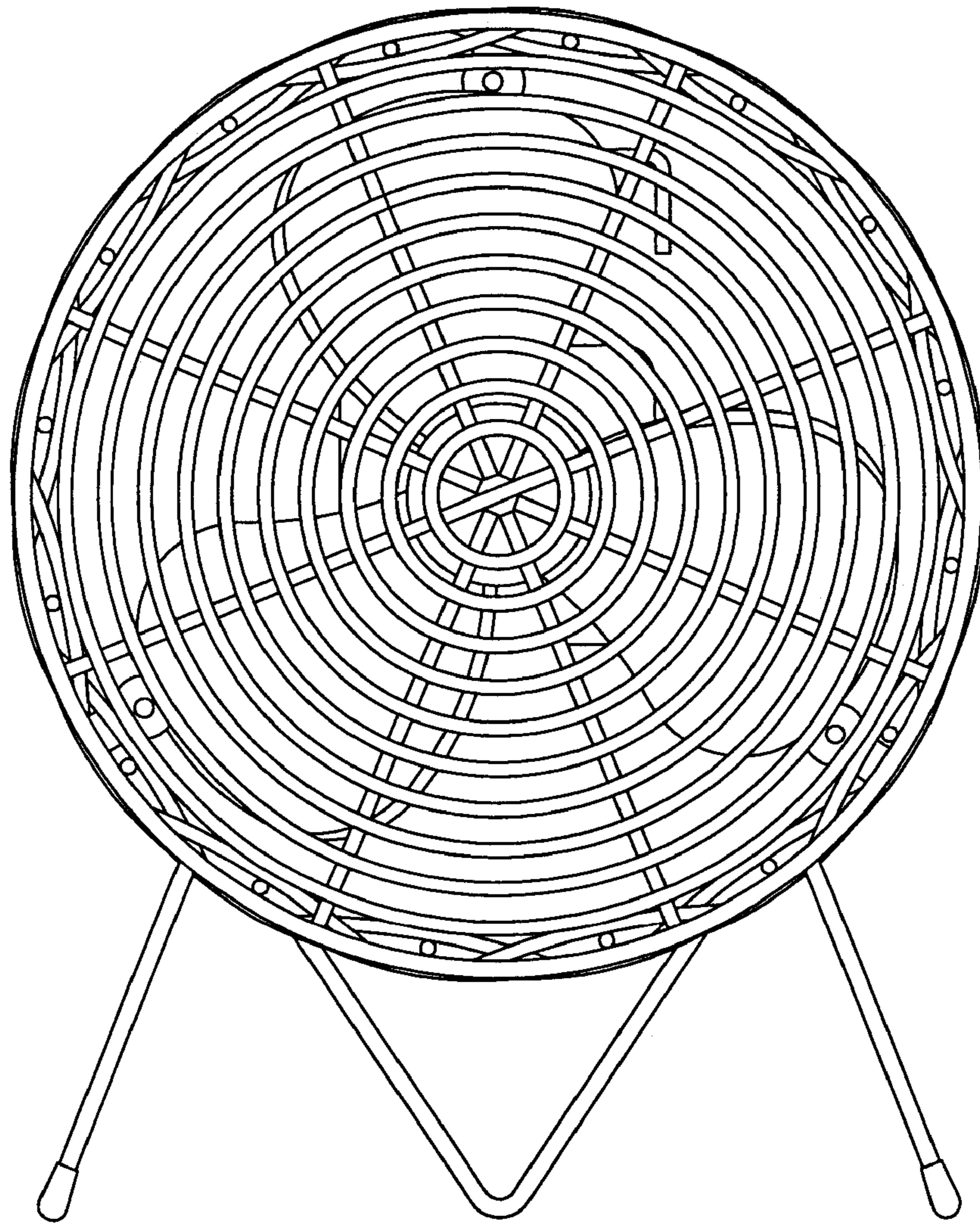


FIG. 2

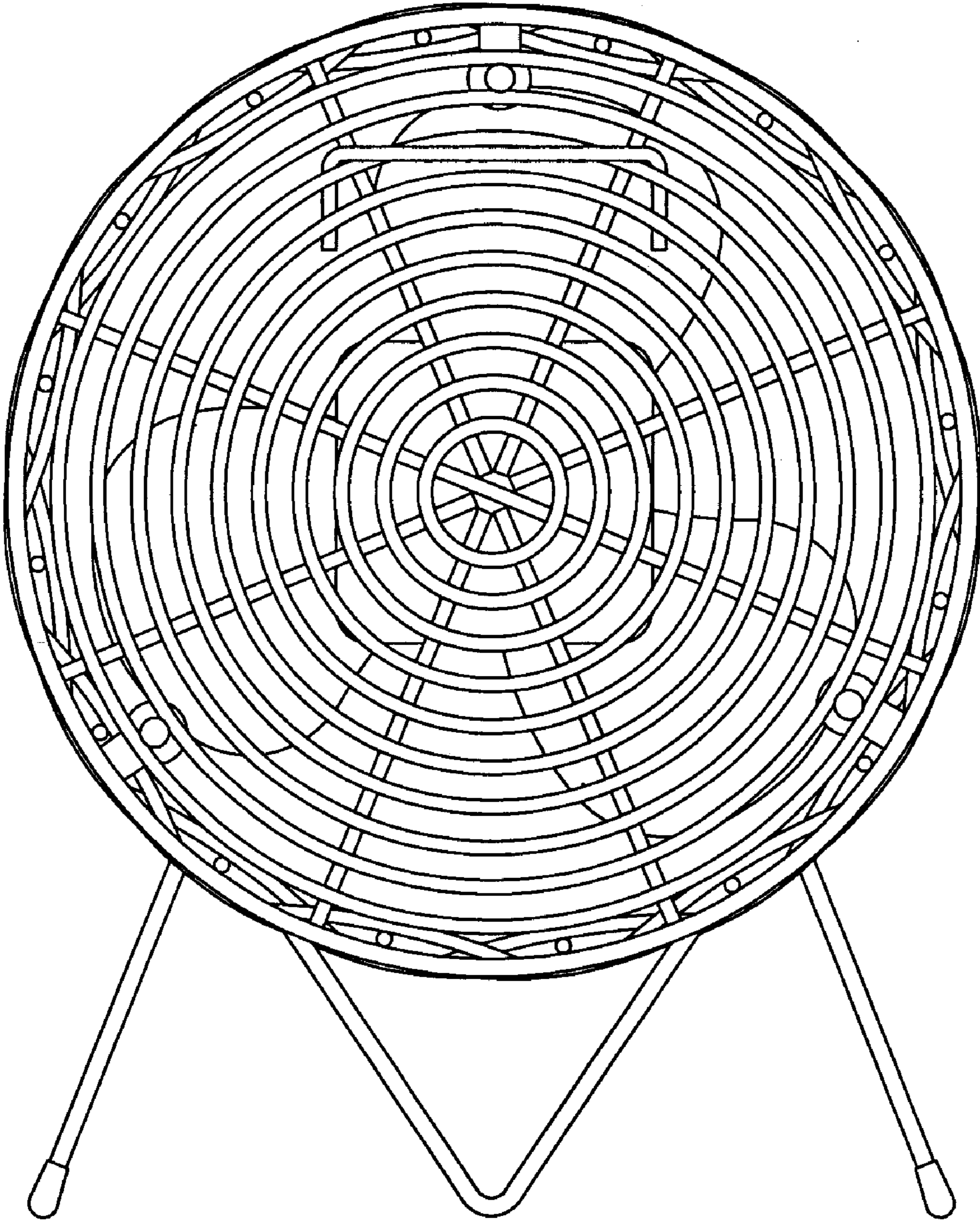


FIG. 3

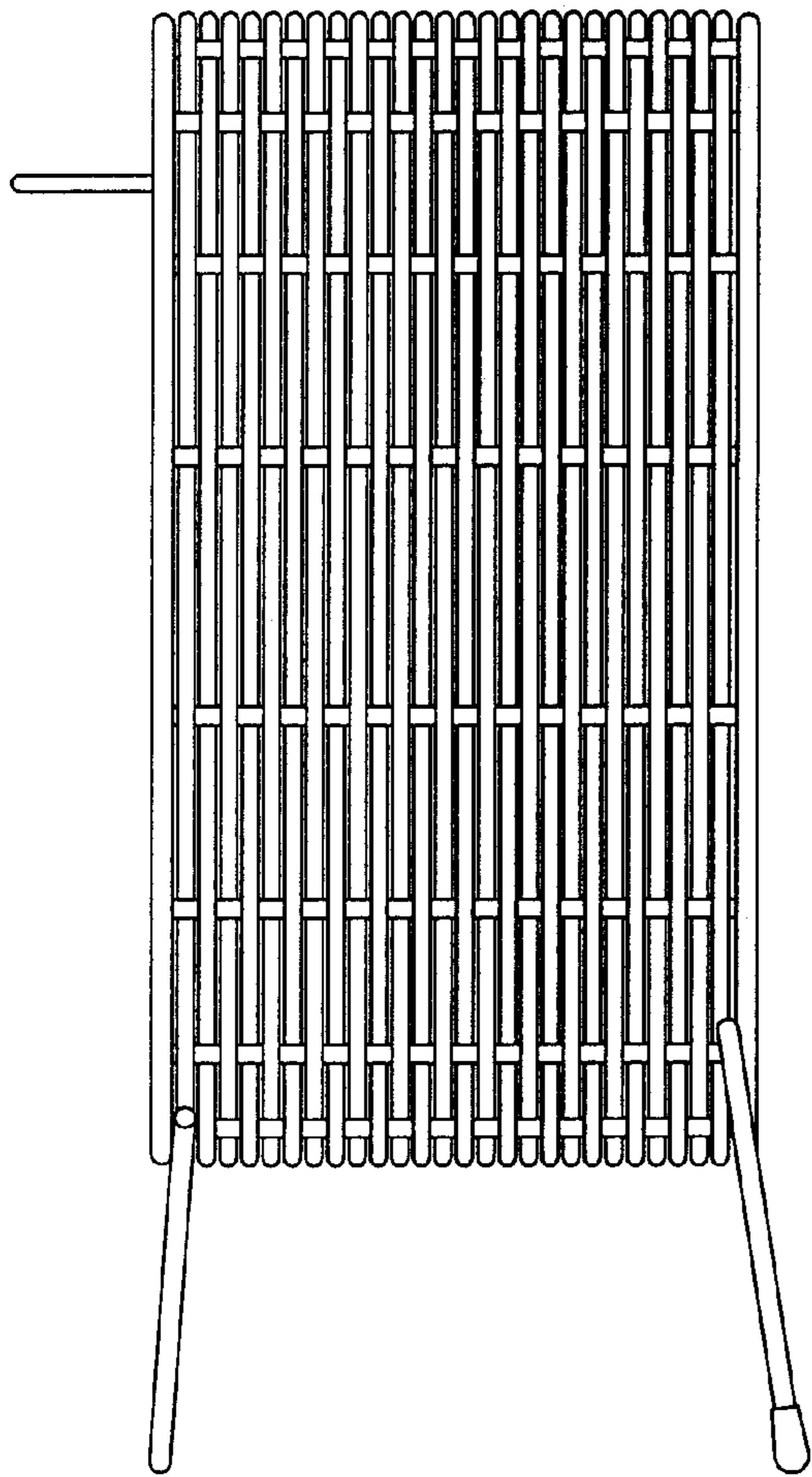


FIG. 4

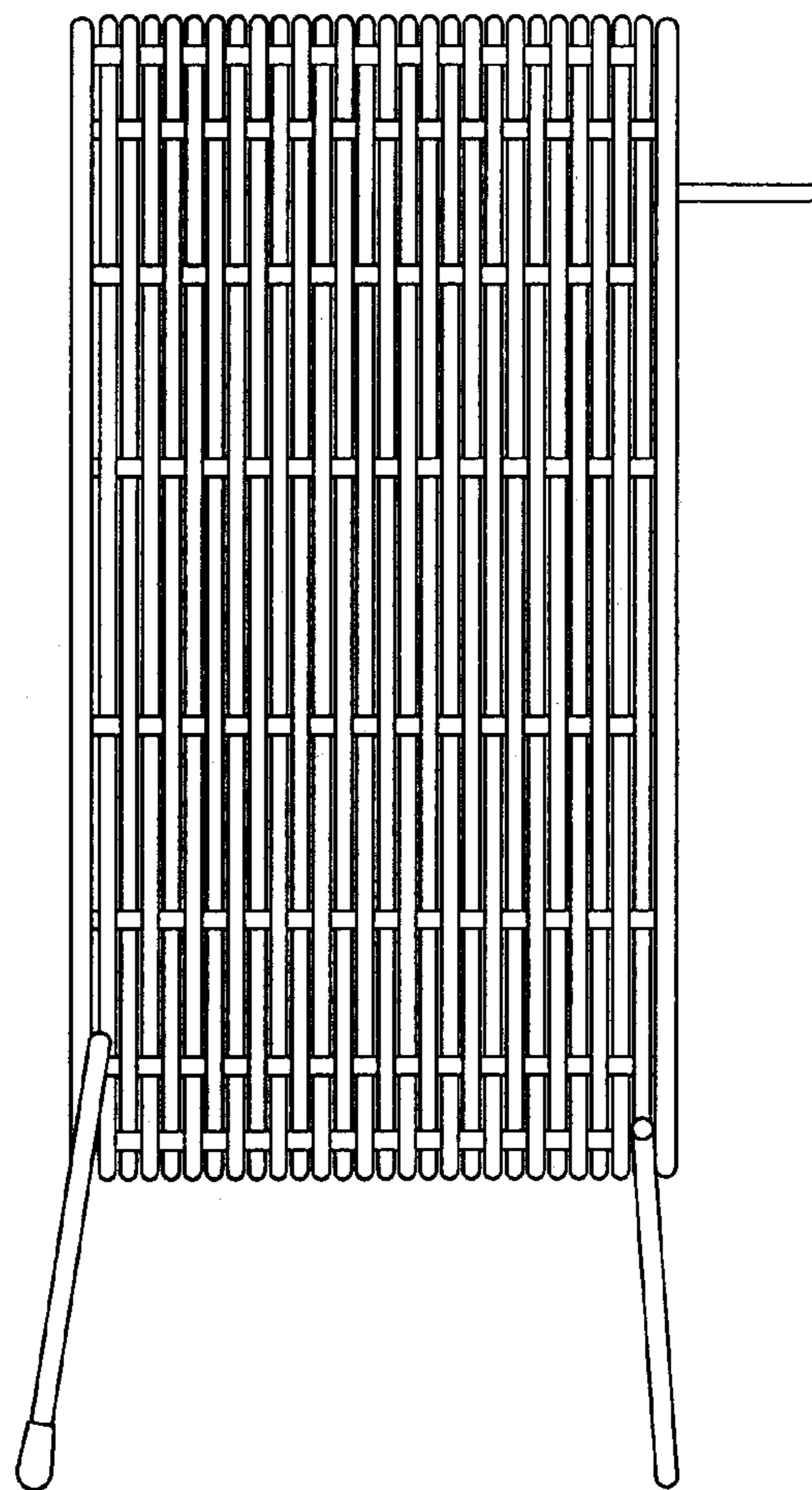


FIG. 5

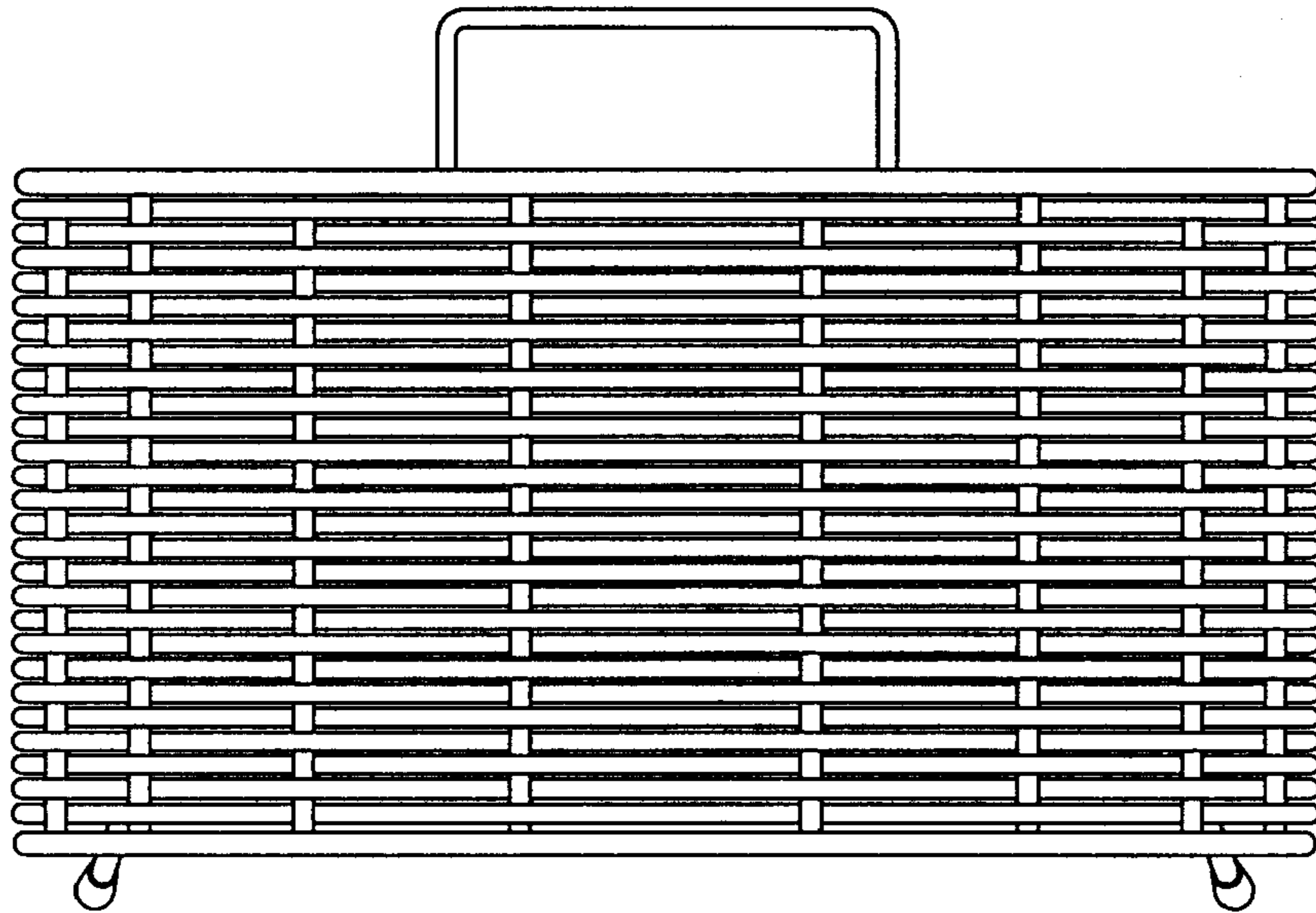


FIG. 6

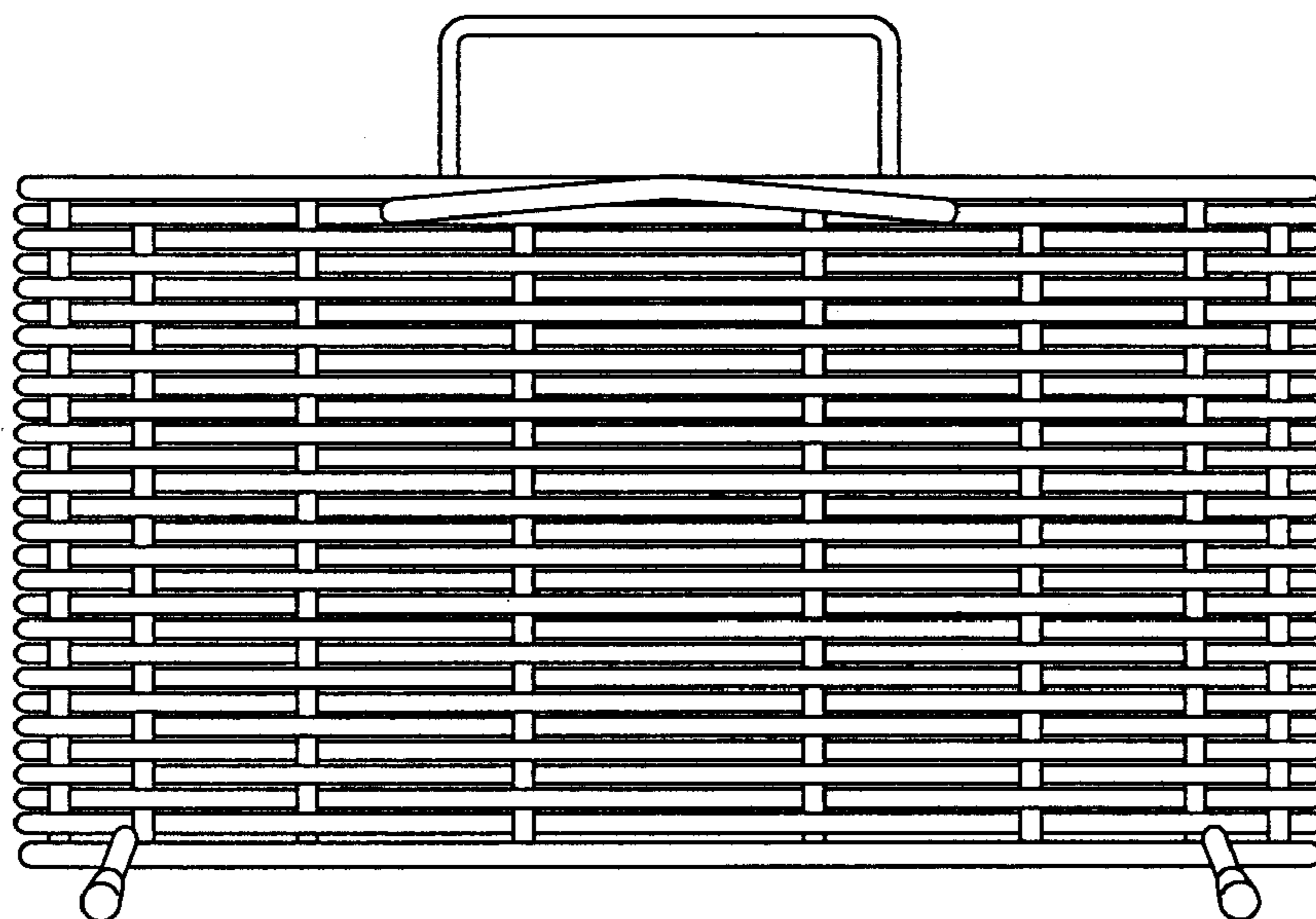


FIG. 7

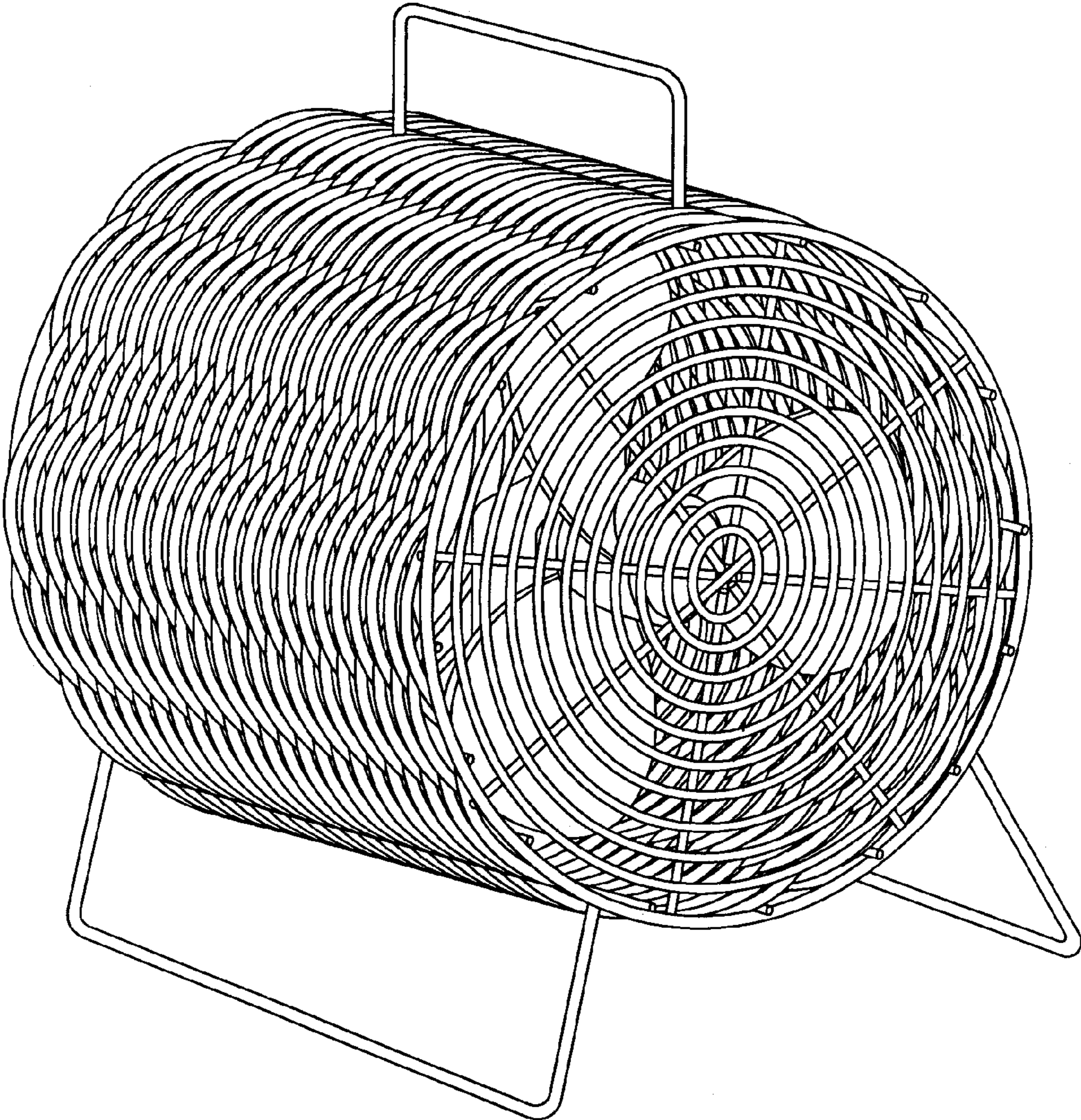


FIG. 8

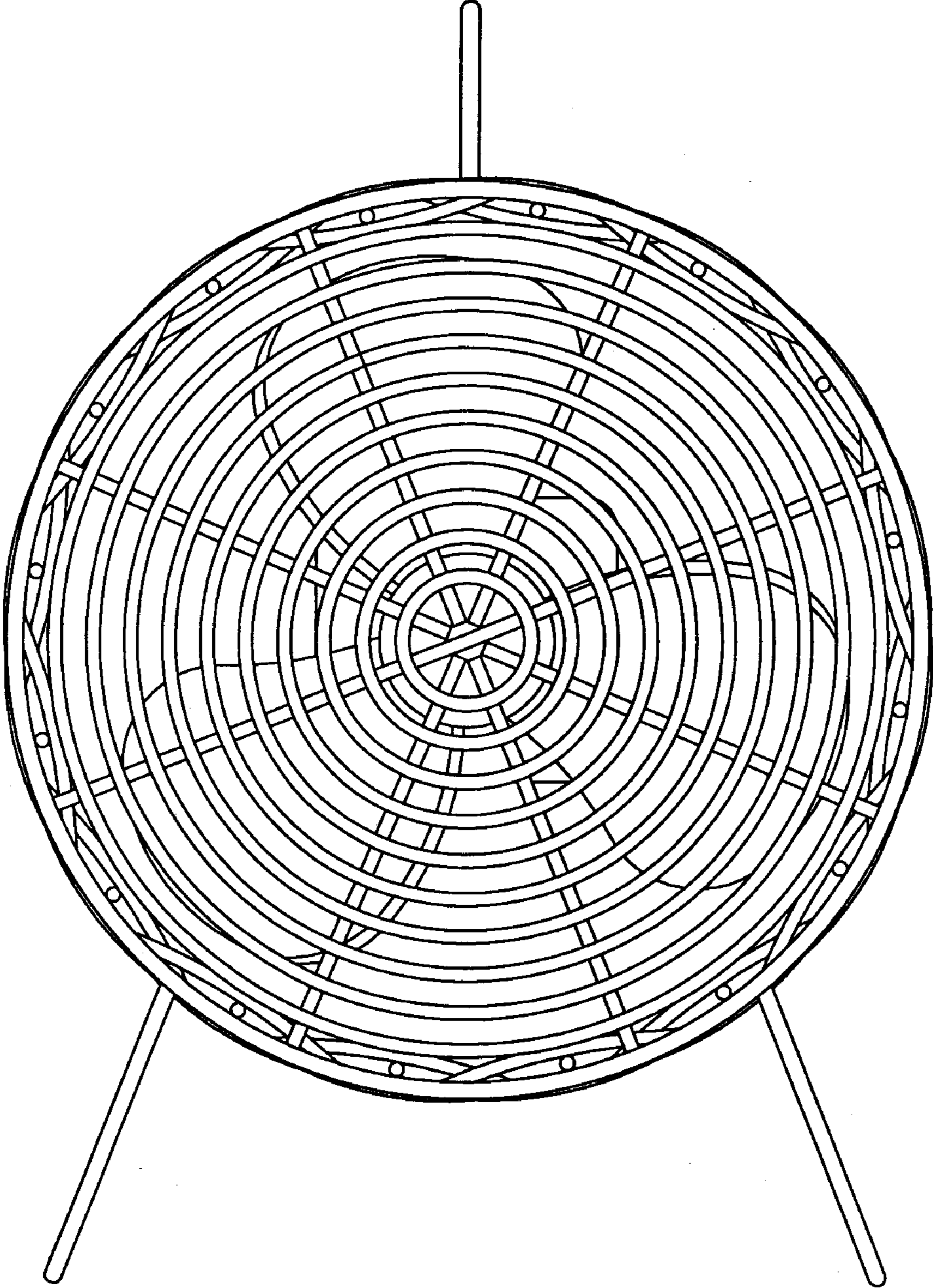


FIG. 9

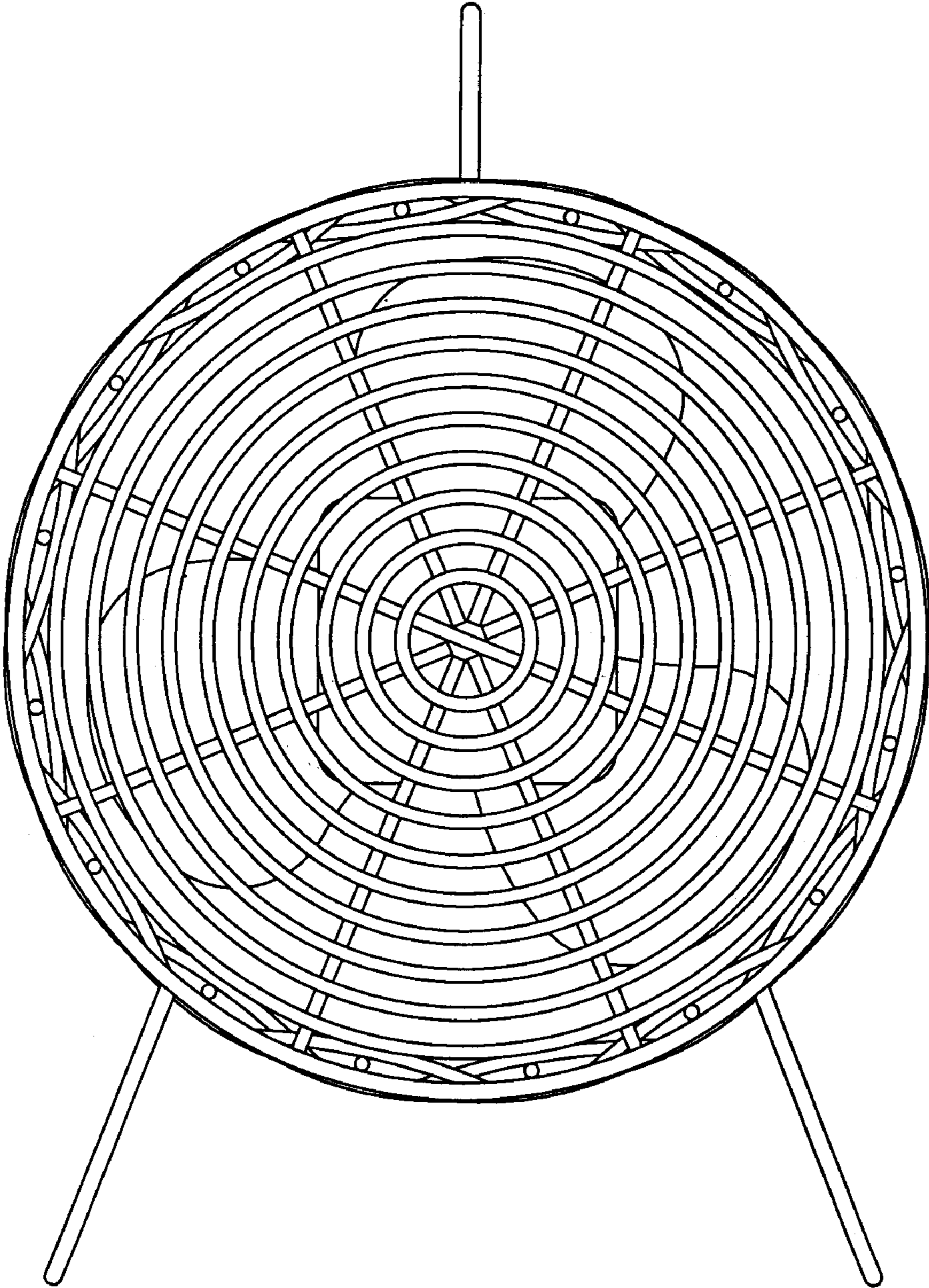


FIG. 10

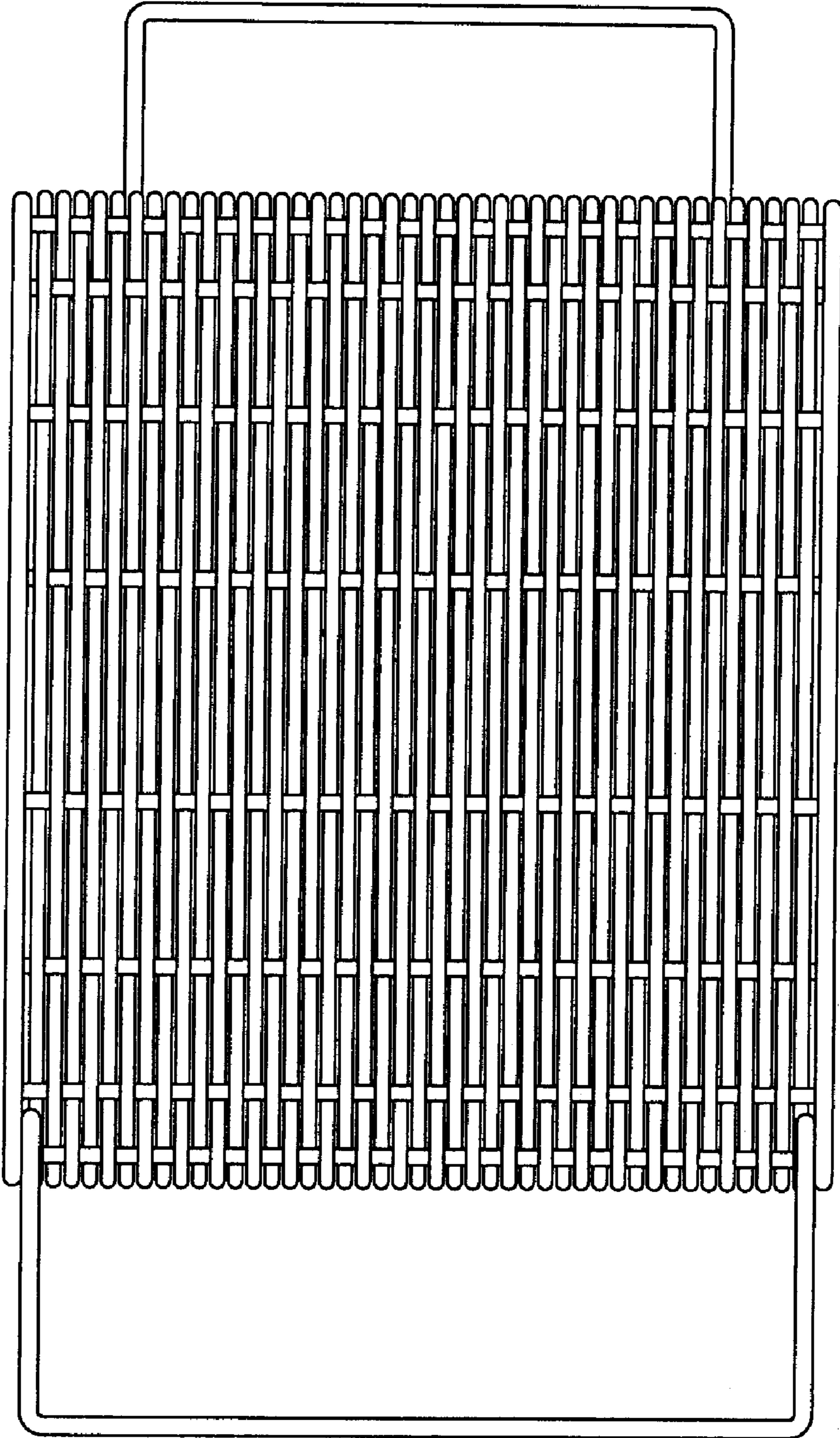


FIG. 11

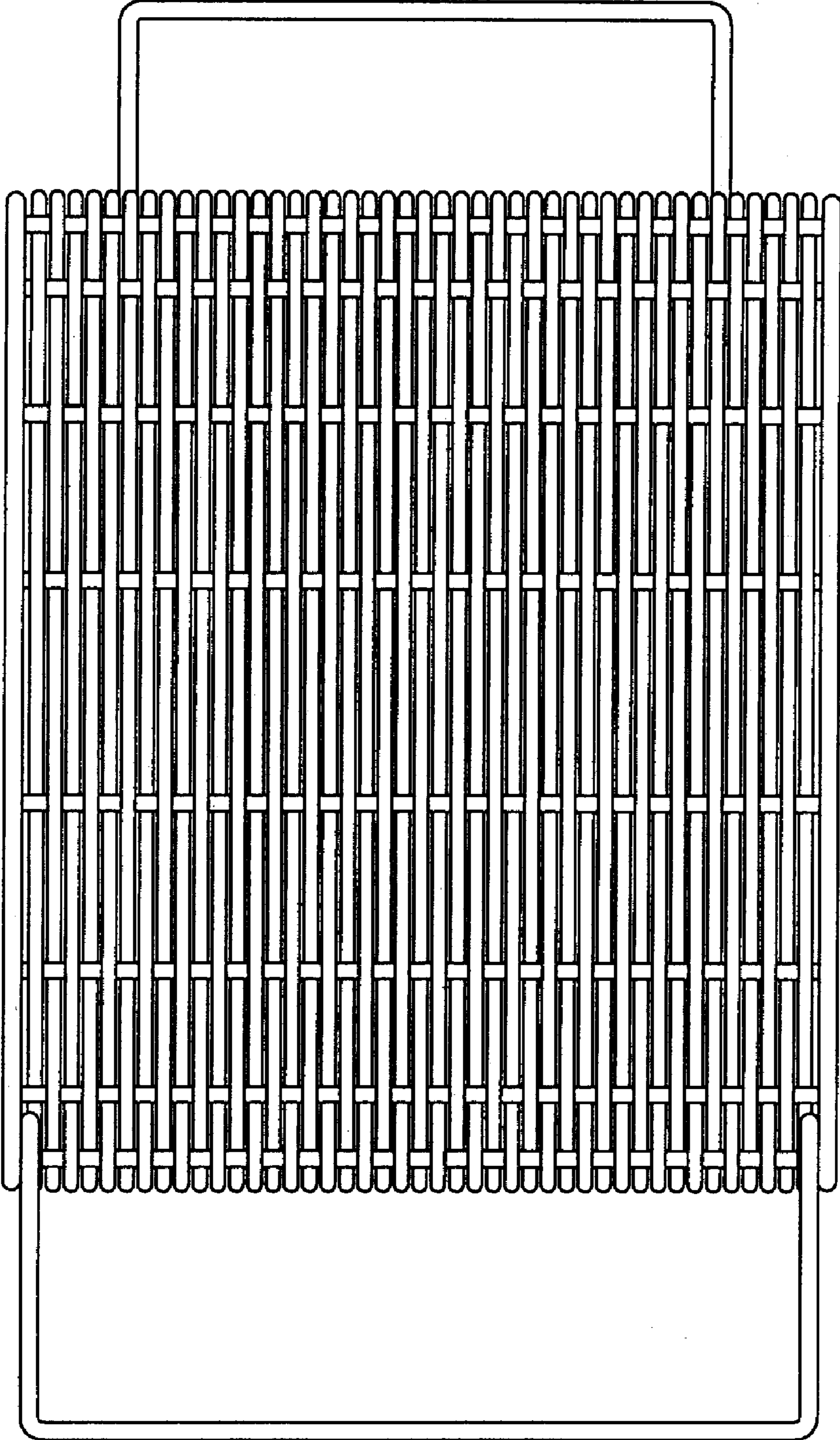


FIG. 12

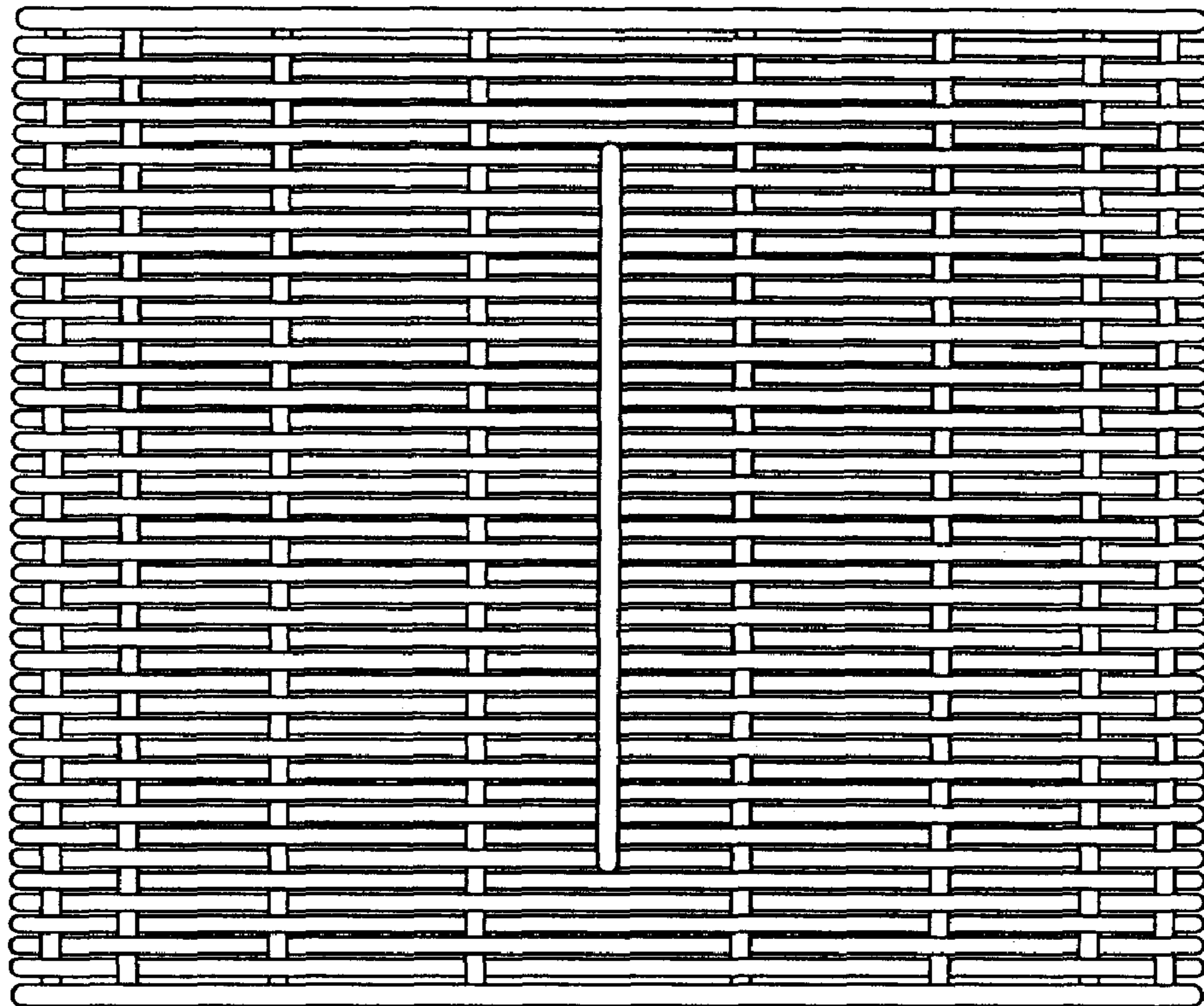


FIG. 13

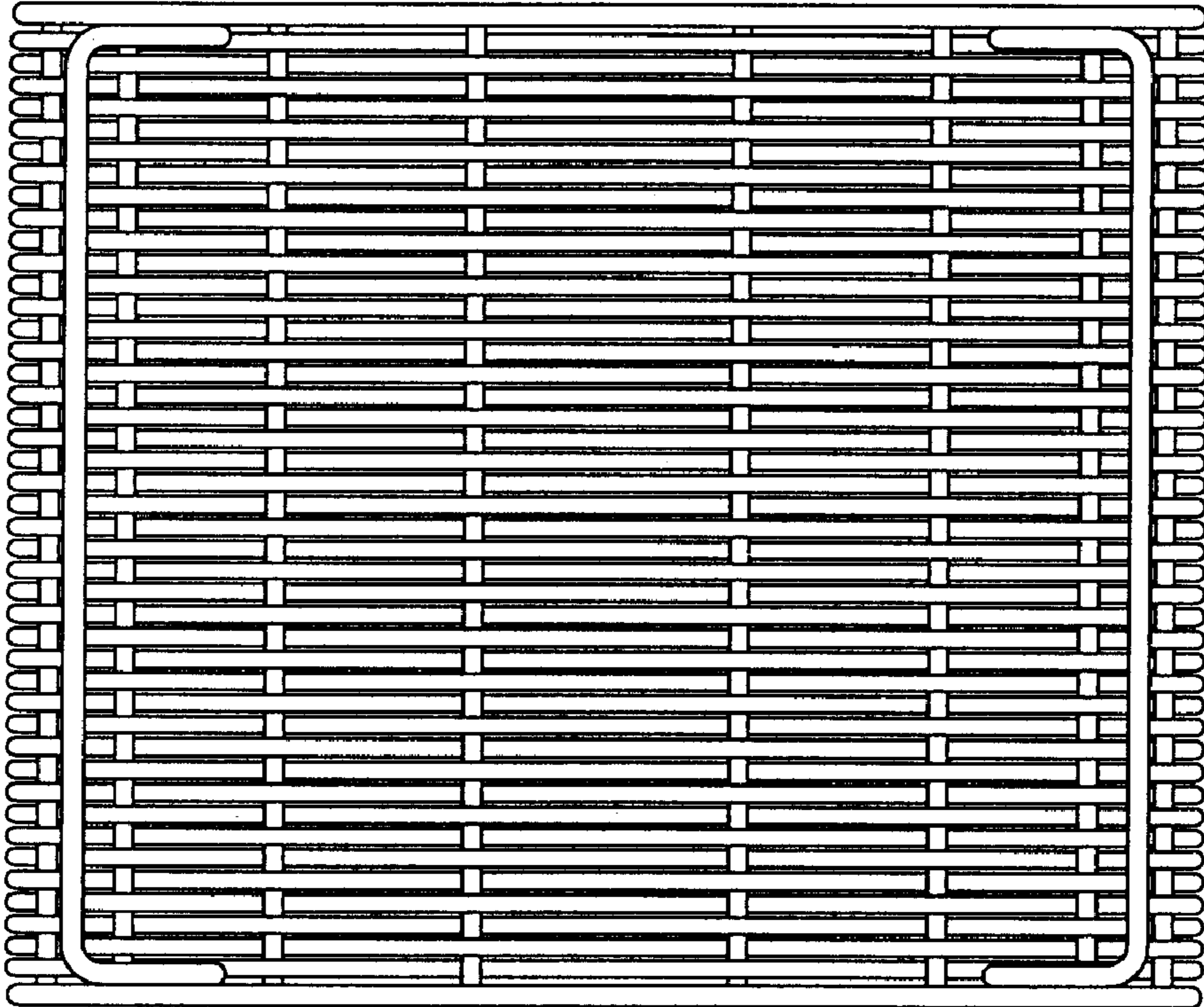


FIG. 14

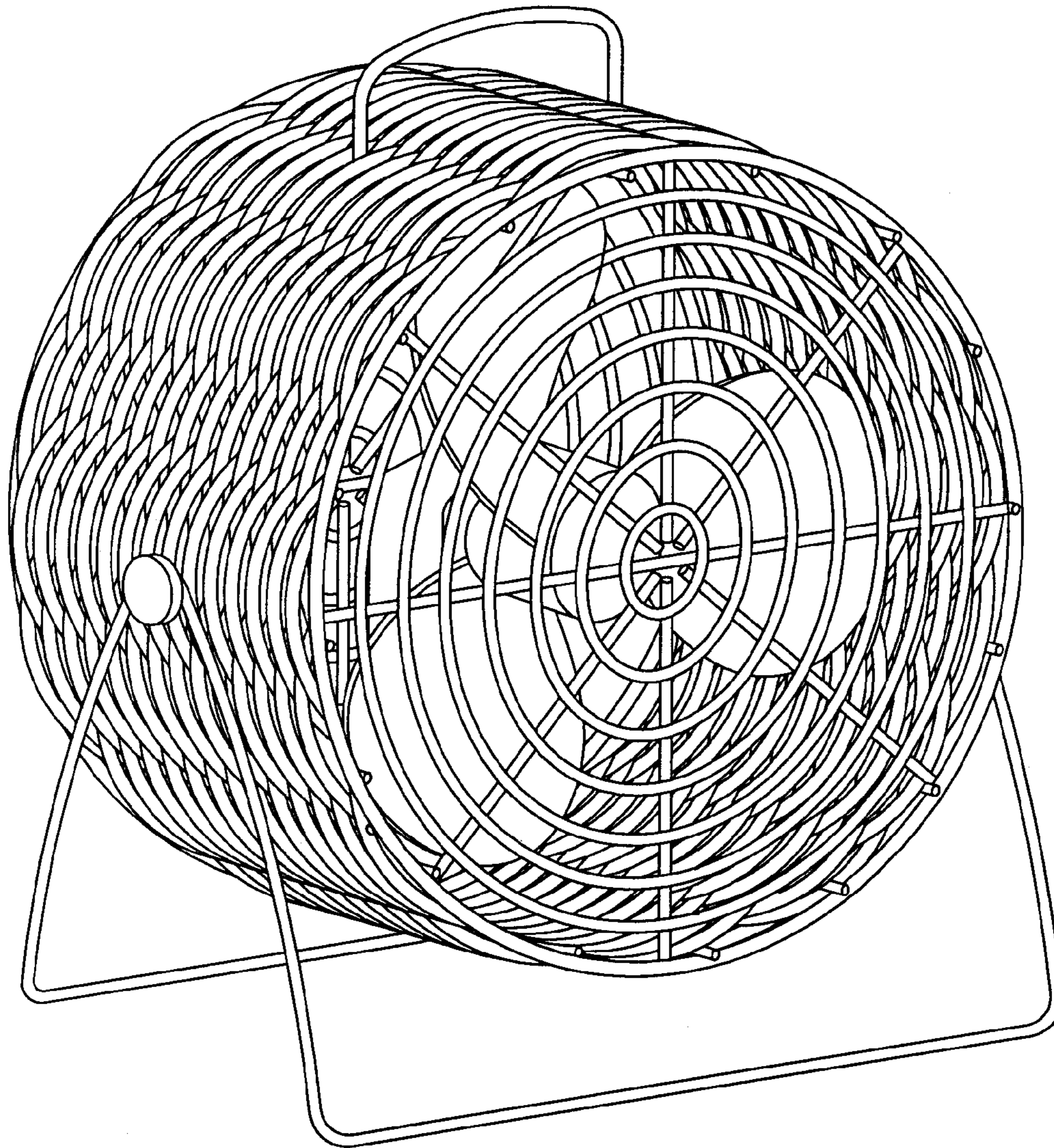


FIG. 15

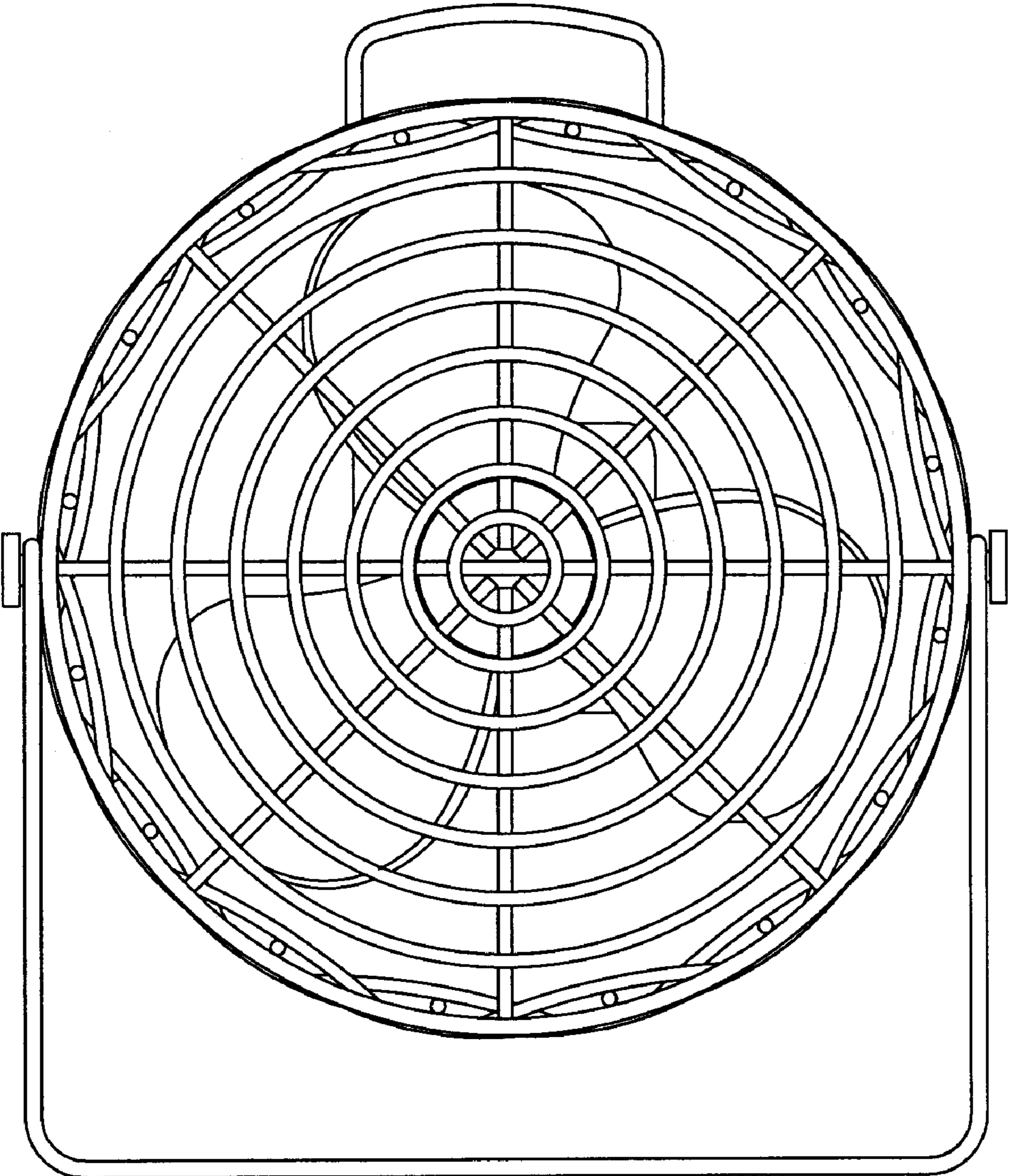


FIG. 16

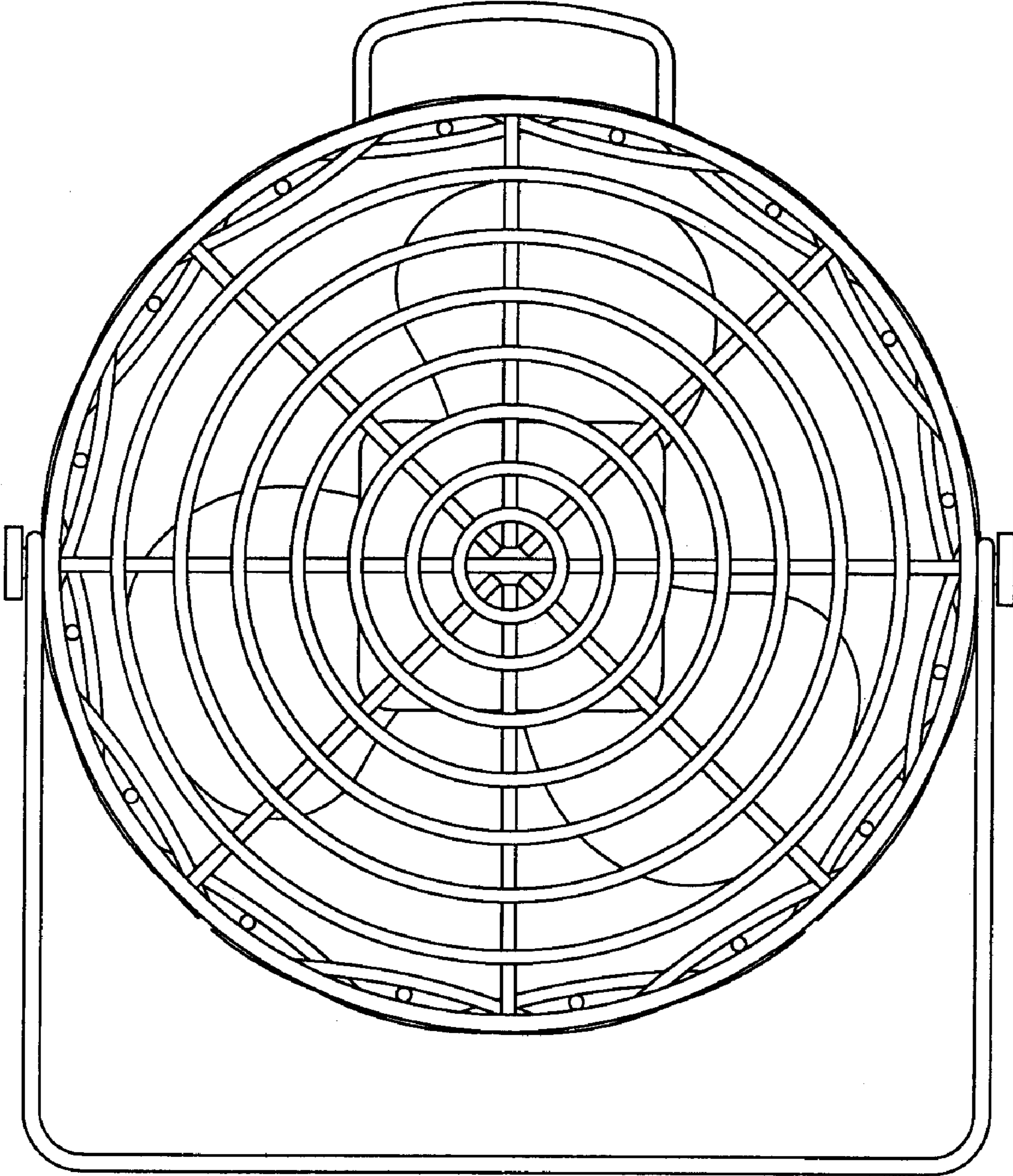


FIG. 17

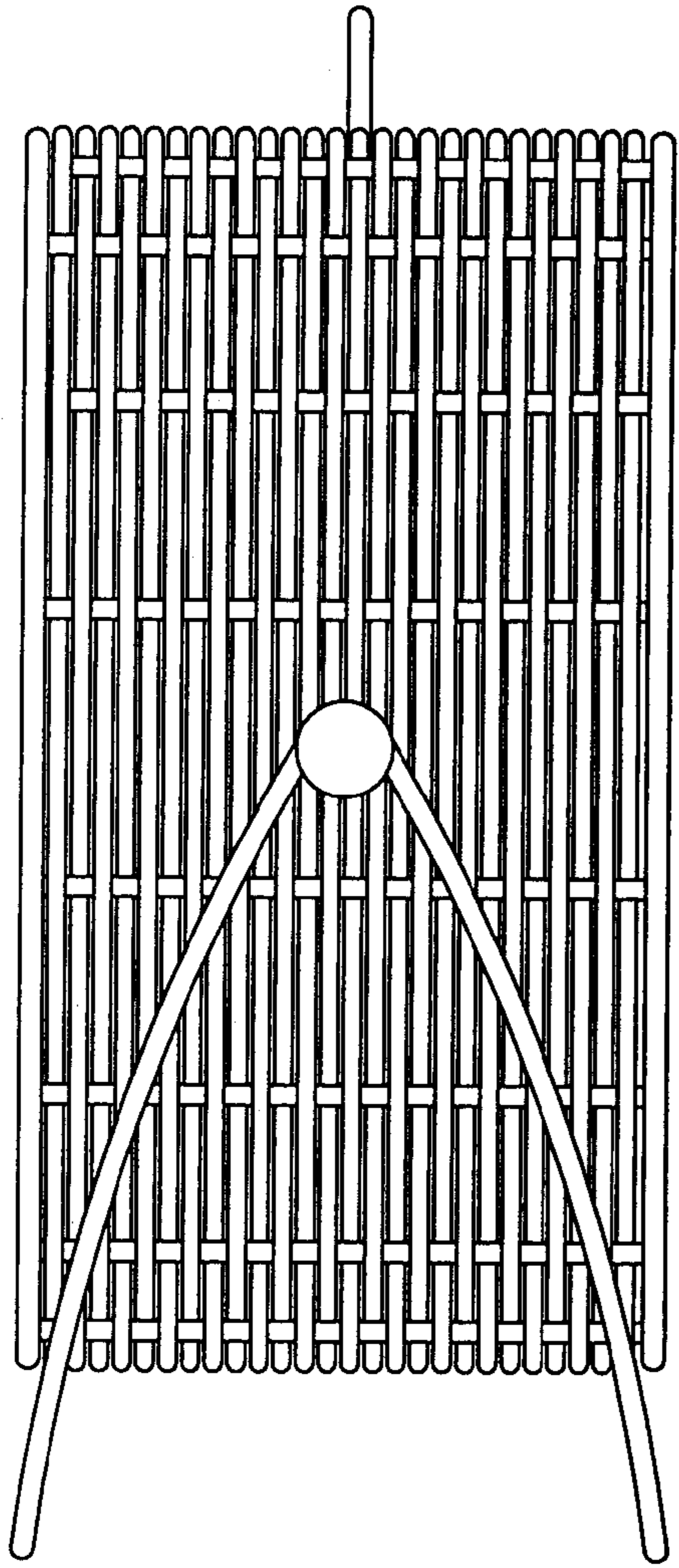


FIG. 18

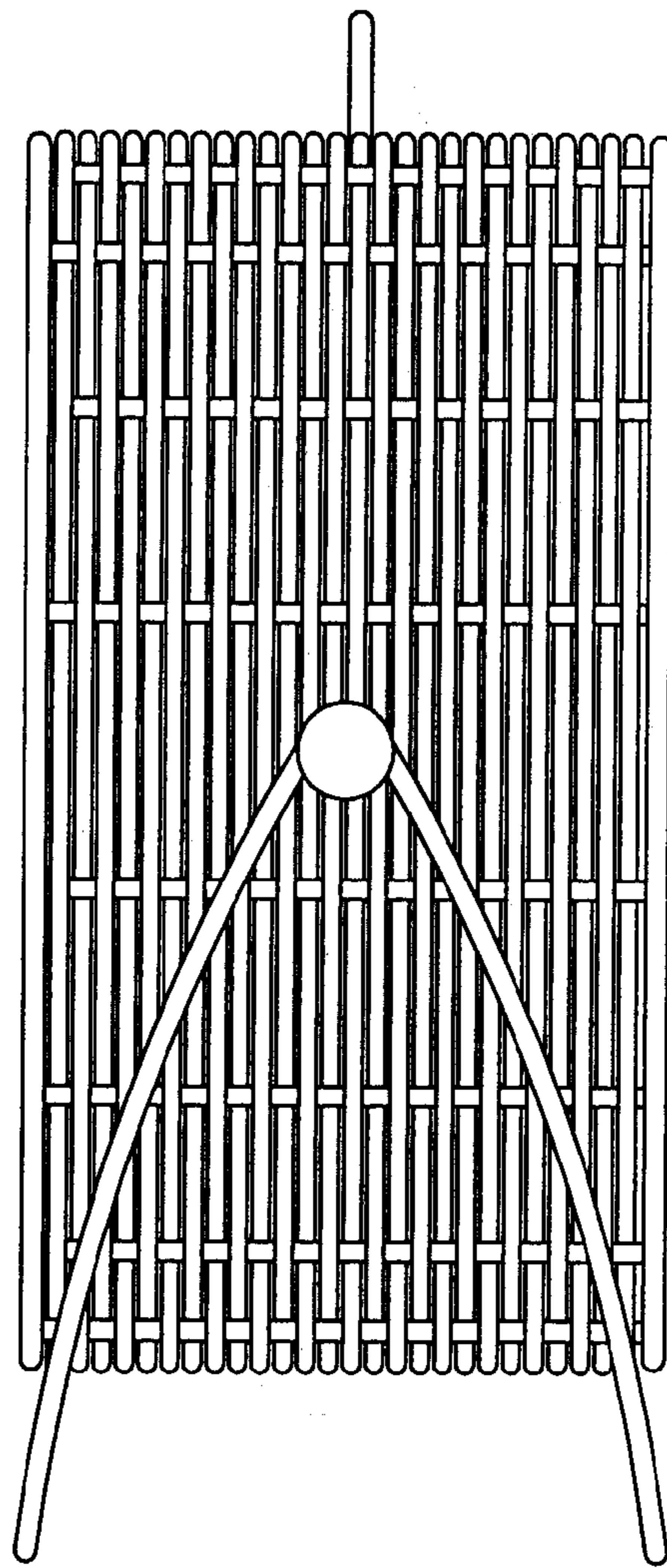


FIG. 19

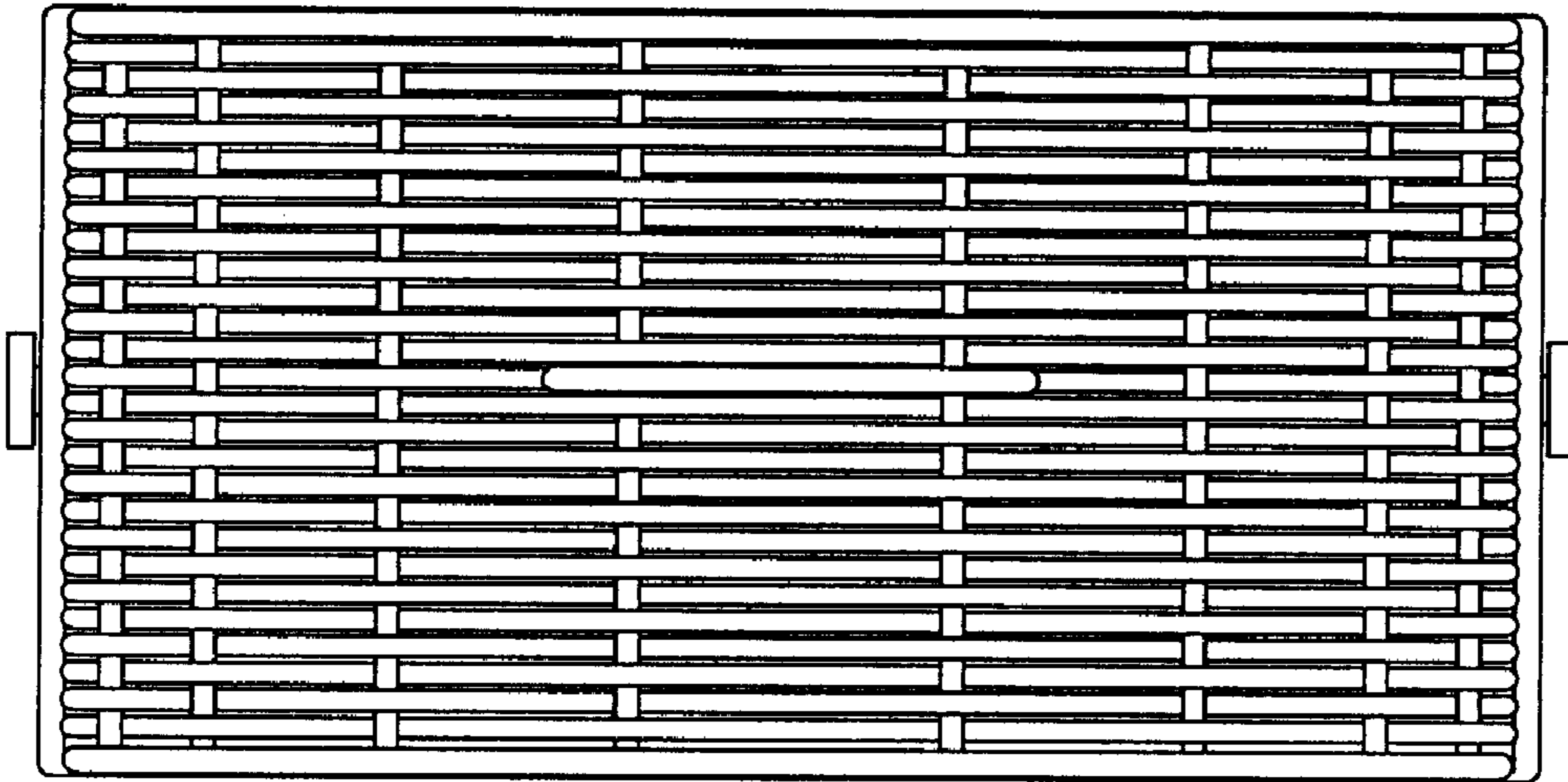


FIG. 20

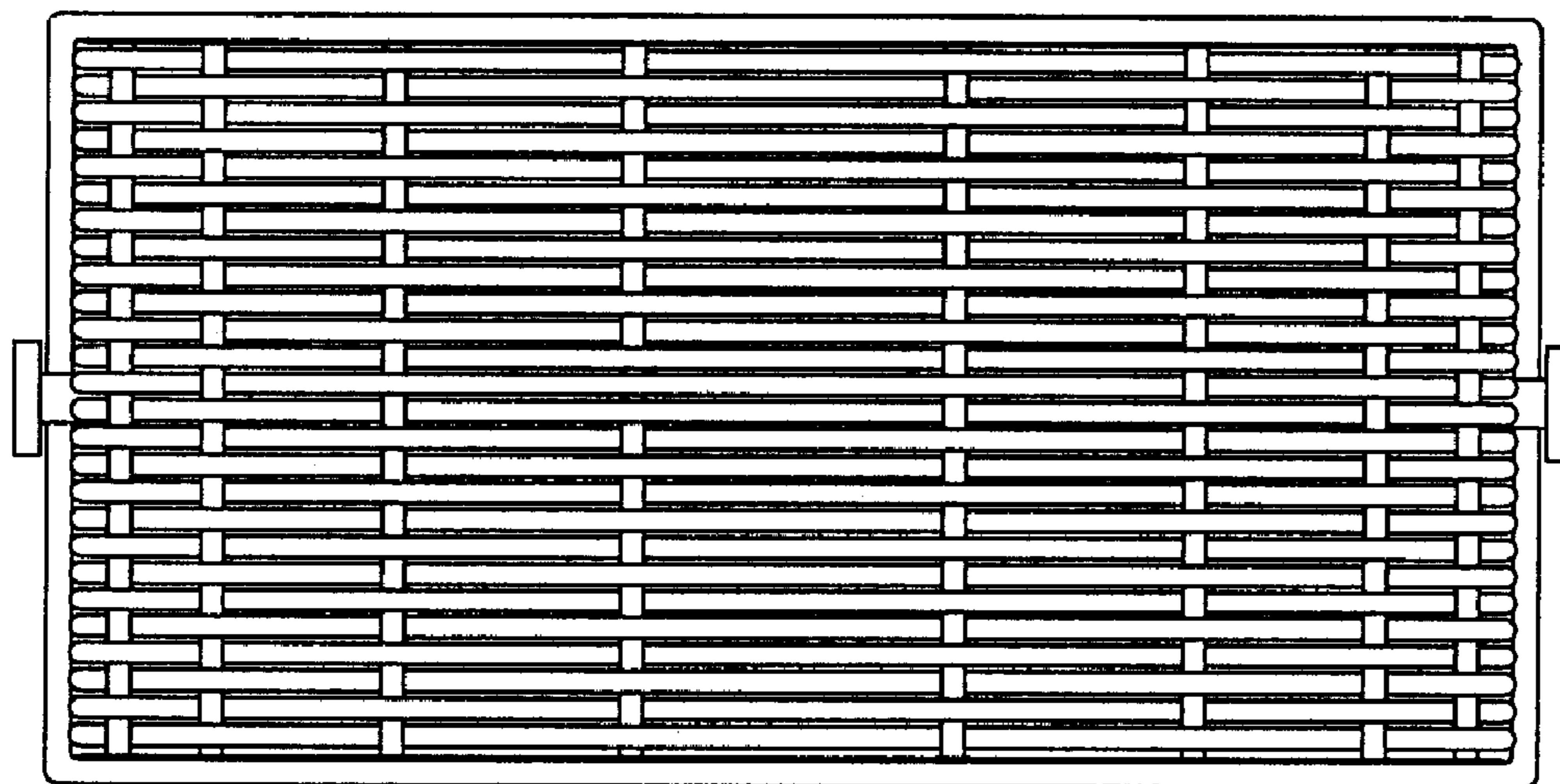


FIG. 21