



US00D513317S

(12) **United States Design Patent**
Melwani

(10) **Patent No.:** **US D513,317 S**

(45) **Date of Patent:** **** Dec. 27, 2005**

(54) **ELECTRIC FAN**

D486,902 S * 2/2004 Melwani D23/370

(75) Inventor: **Ravin G. Melwani**, Hong Kong (HK)

* cited by examiner

(73) Assignee: **B.K. Rekhatex (H.K.) Ltd.**, Kowloon (HK)

Primary Examiner—Lisa Lichtenstein

(74) *Attorney, Agent, or Firm*—Alix, Yale & Ristas, LLP

(**) Term: **14 Years**

(57) **CLAIM**

The ornamental design for an electric fan, as shown and described.

(21) Appl. No.: **29/204,719**

(22) Filed: **May 3, 2004**

DESCRIPTION

(51) **LOC (6) Cl.** **23-04**

FIG. 1 is a front, right side and top perspective view of an electric fan showing my new design;

(52) **U.S. Cl.** **D23/379**

FIG. 2 is a front elevational view thereof;

(58) **Field of Search** D23/370, 379,
D23/411, 413; 416/244 R, 247 R, 246 R,
63

FIG. 3 is a right side elevational view thereof;

FIG. 4 is a left side elevational view thereof;

FIG. 5 is a rear elevational view thereof;

FIG. 6 is a top plan view thereof; and,

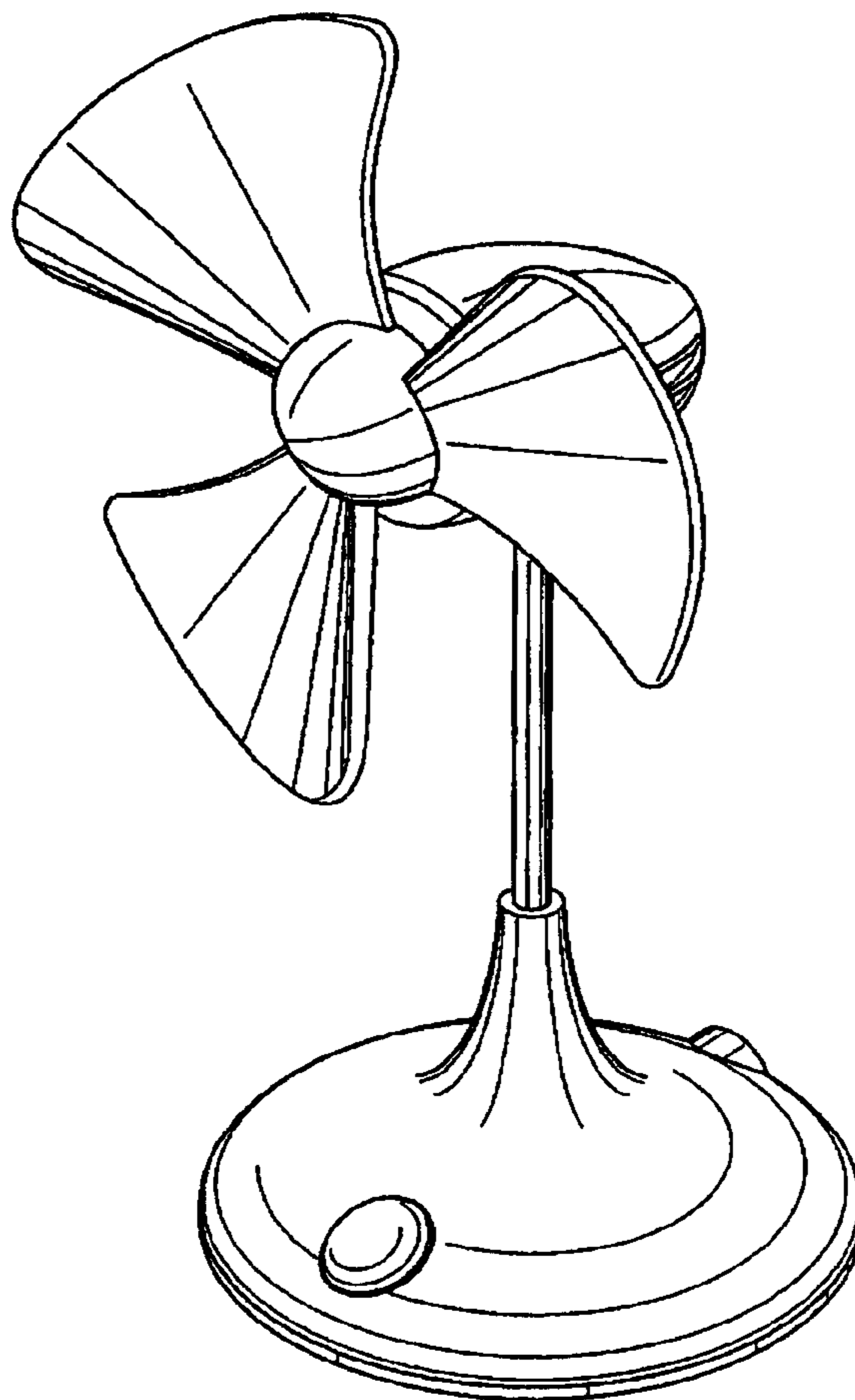
FIG. 7 is a bottom plan view thereof.

(56) **References Cited**

U.S. PATENT DOCUMENTS

6,409,475 B1 * 6/2002 Ho 416/63

1 Claim, 6 Drawing Sheets



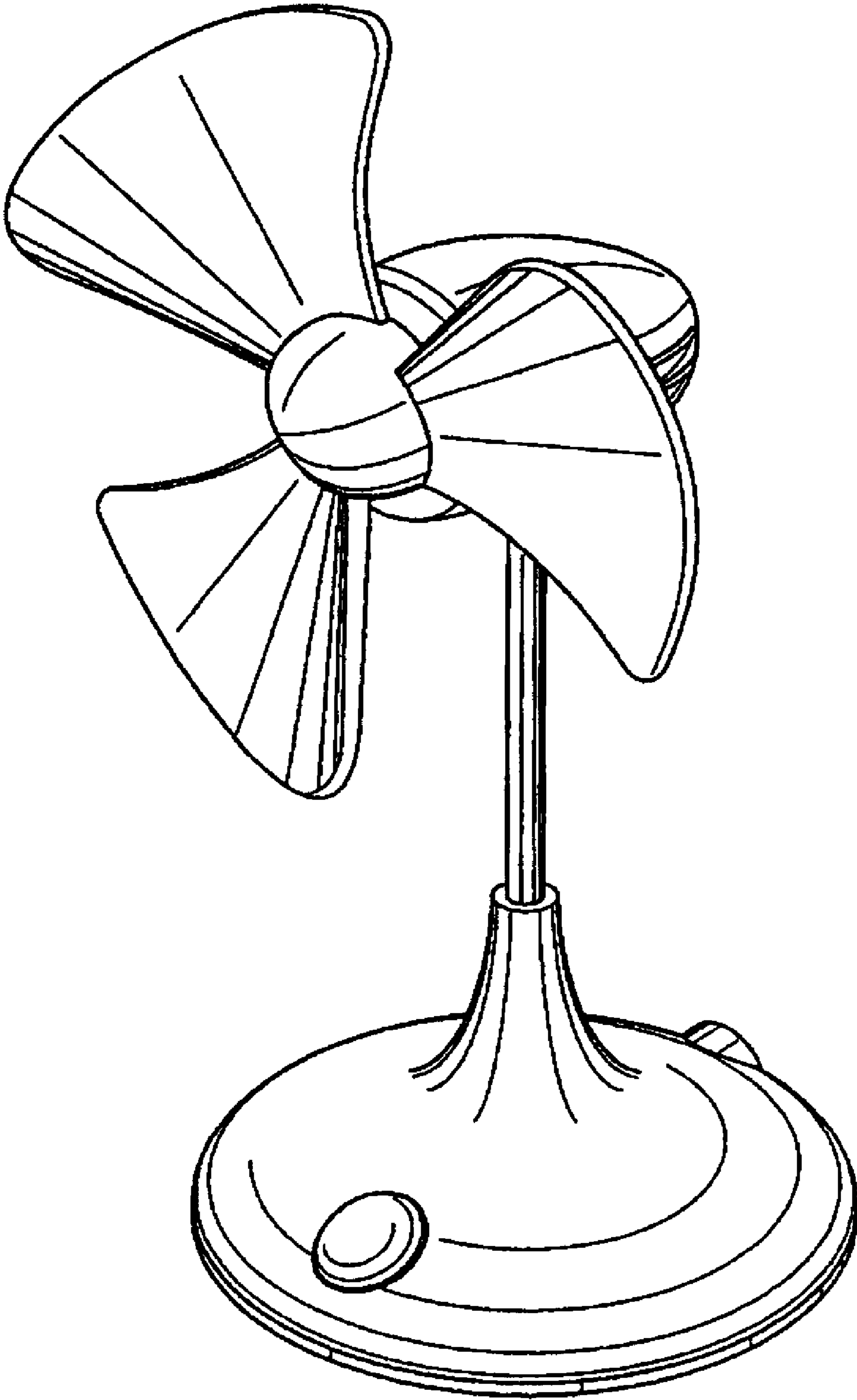


FIG. 1

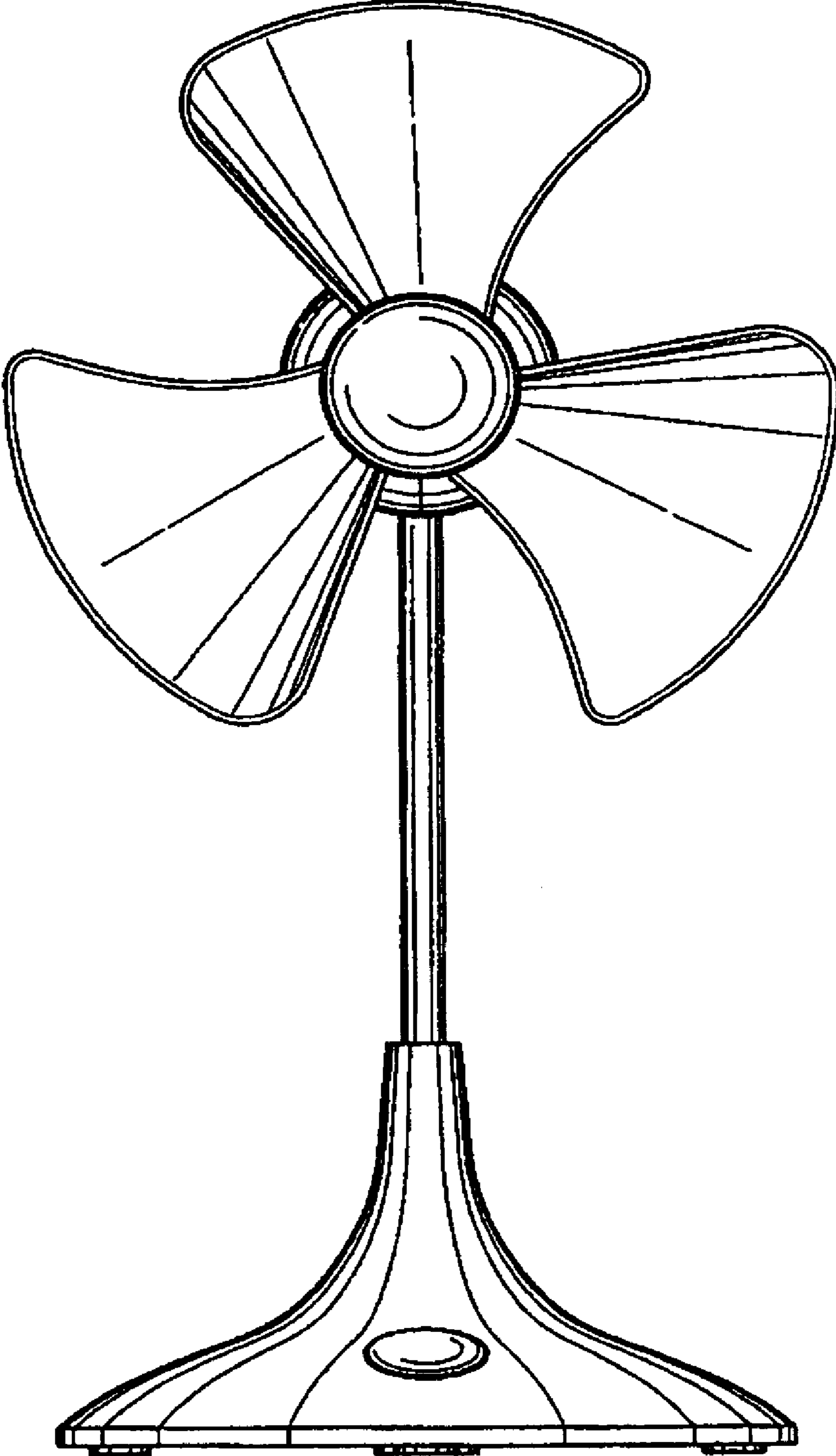


FIG. 2

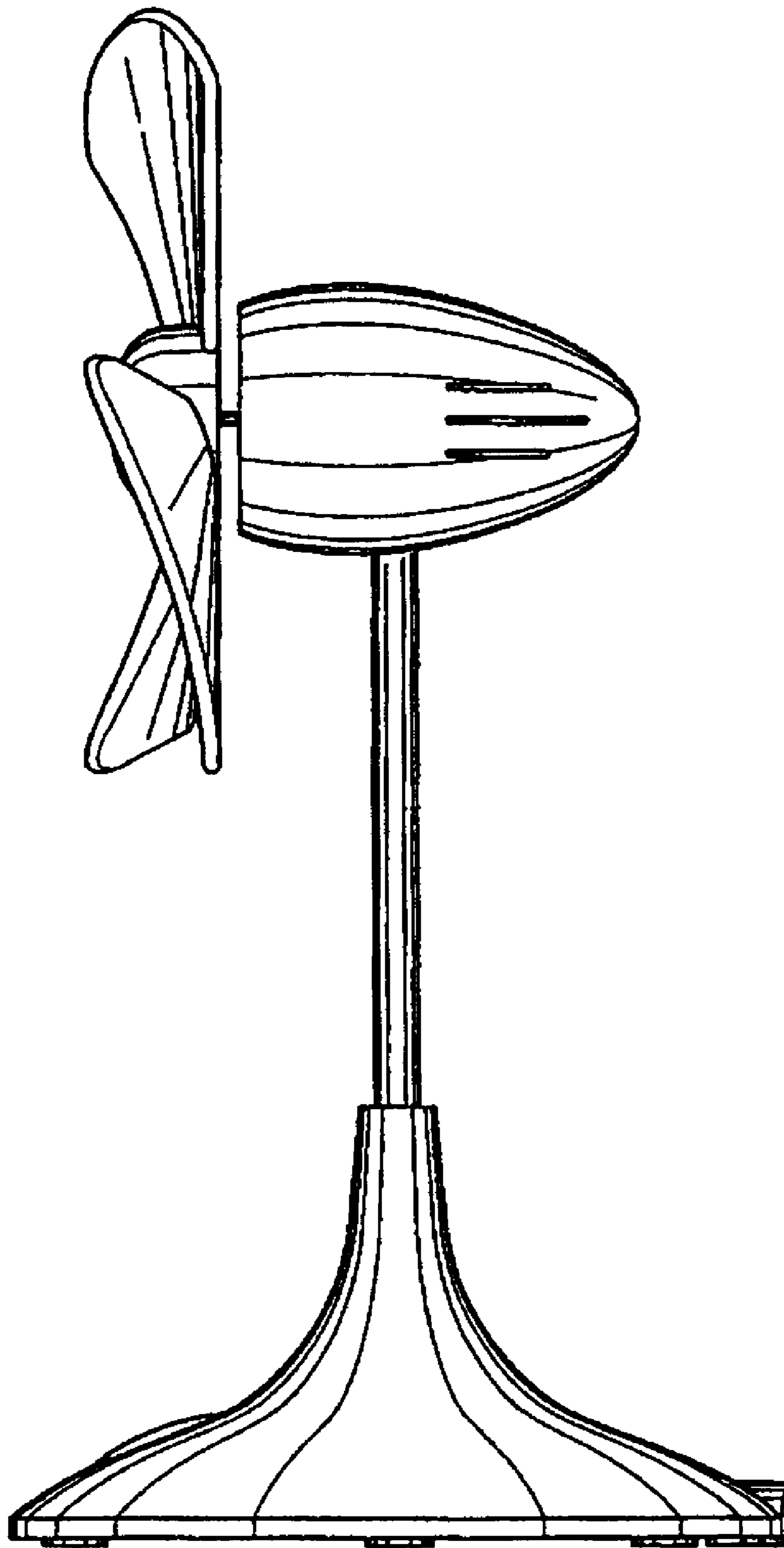


FIG. 3

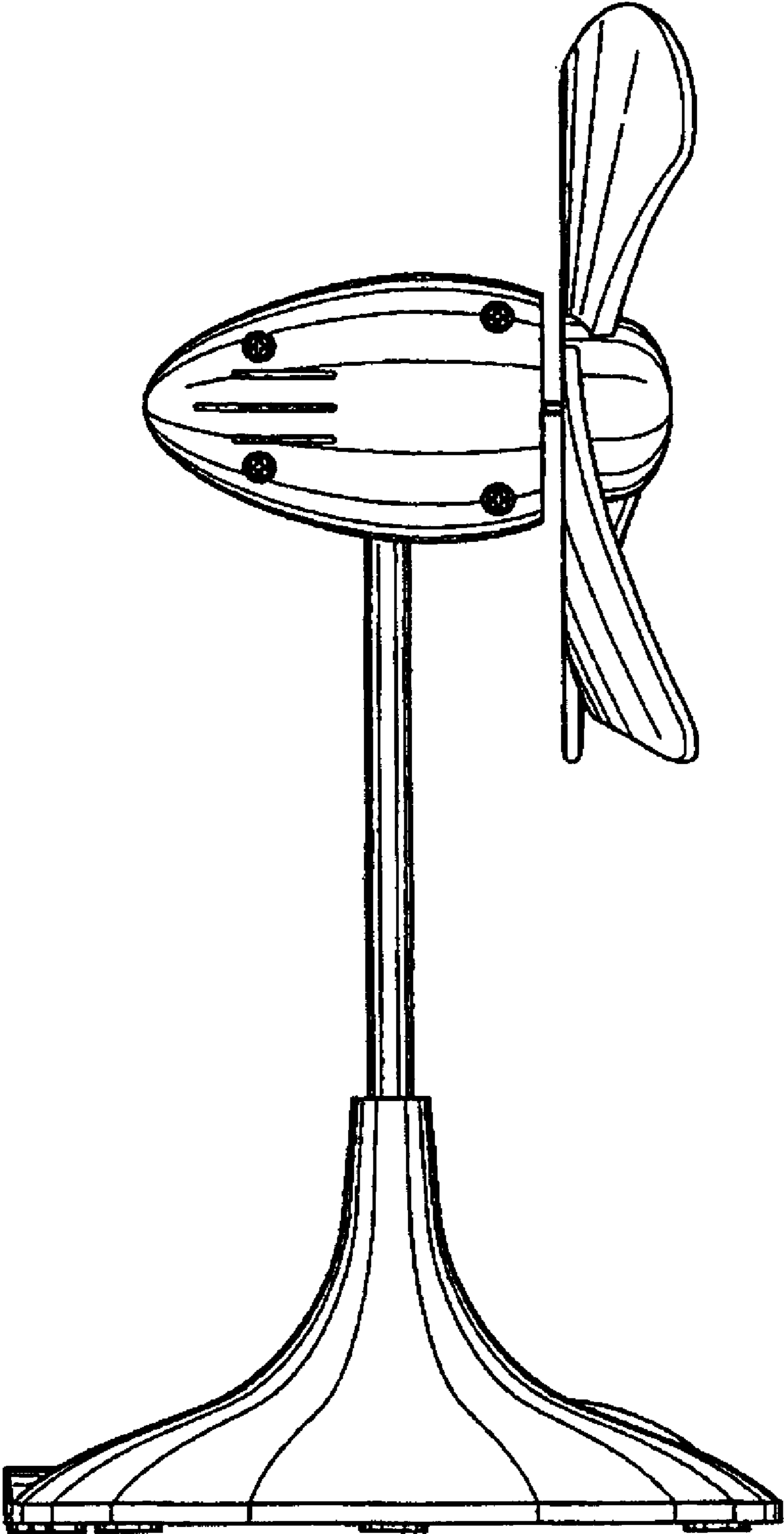


FIG. 4

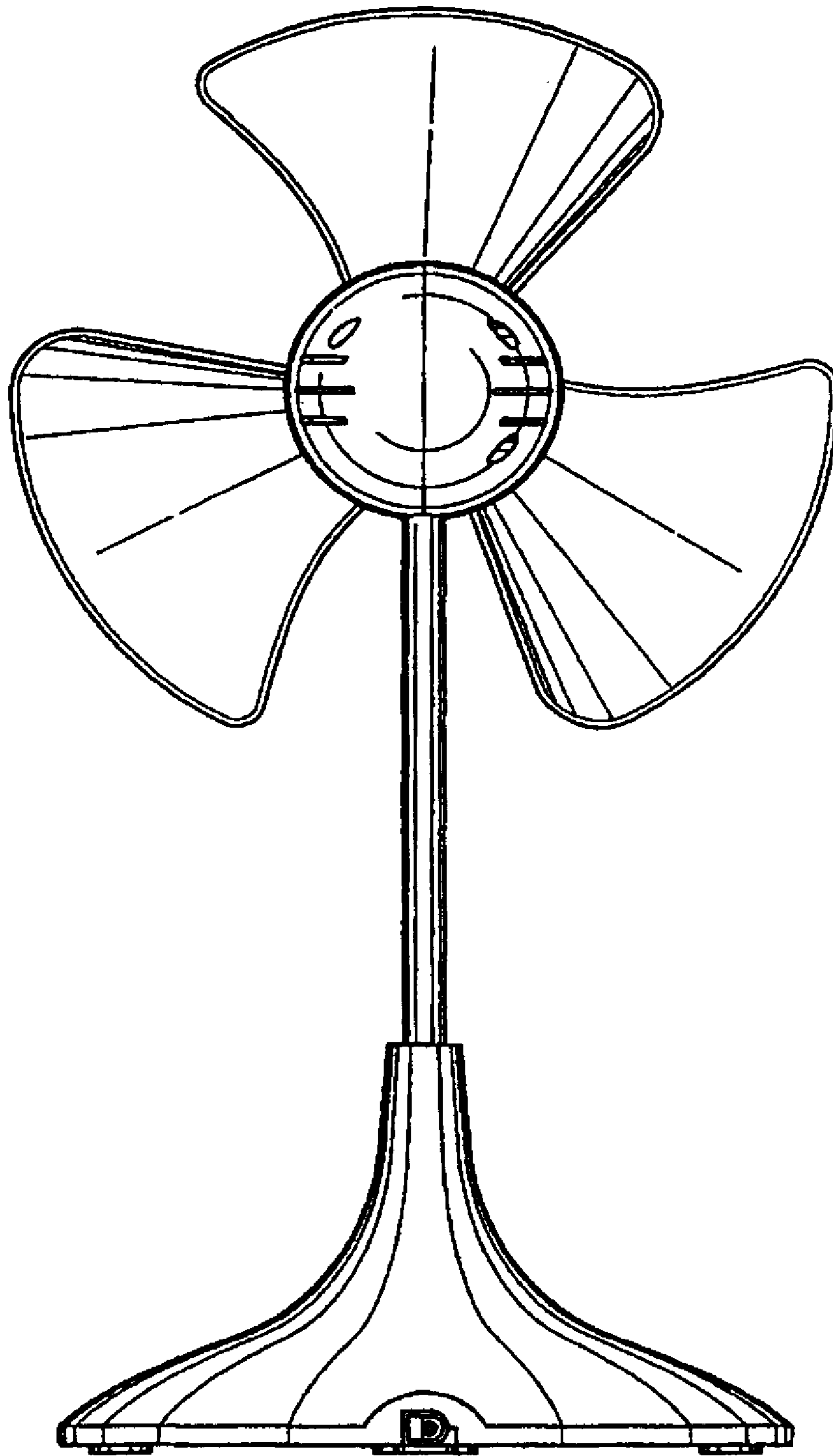


FIG. 5

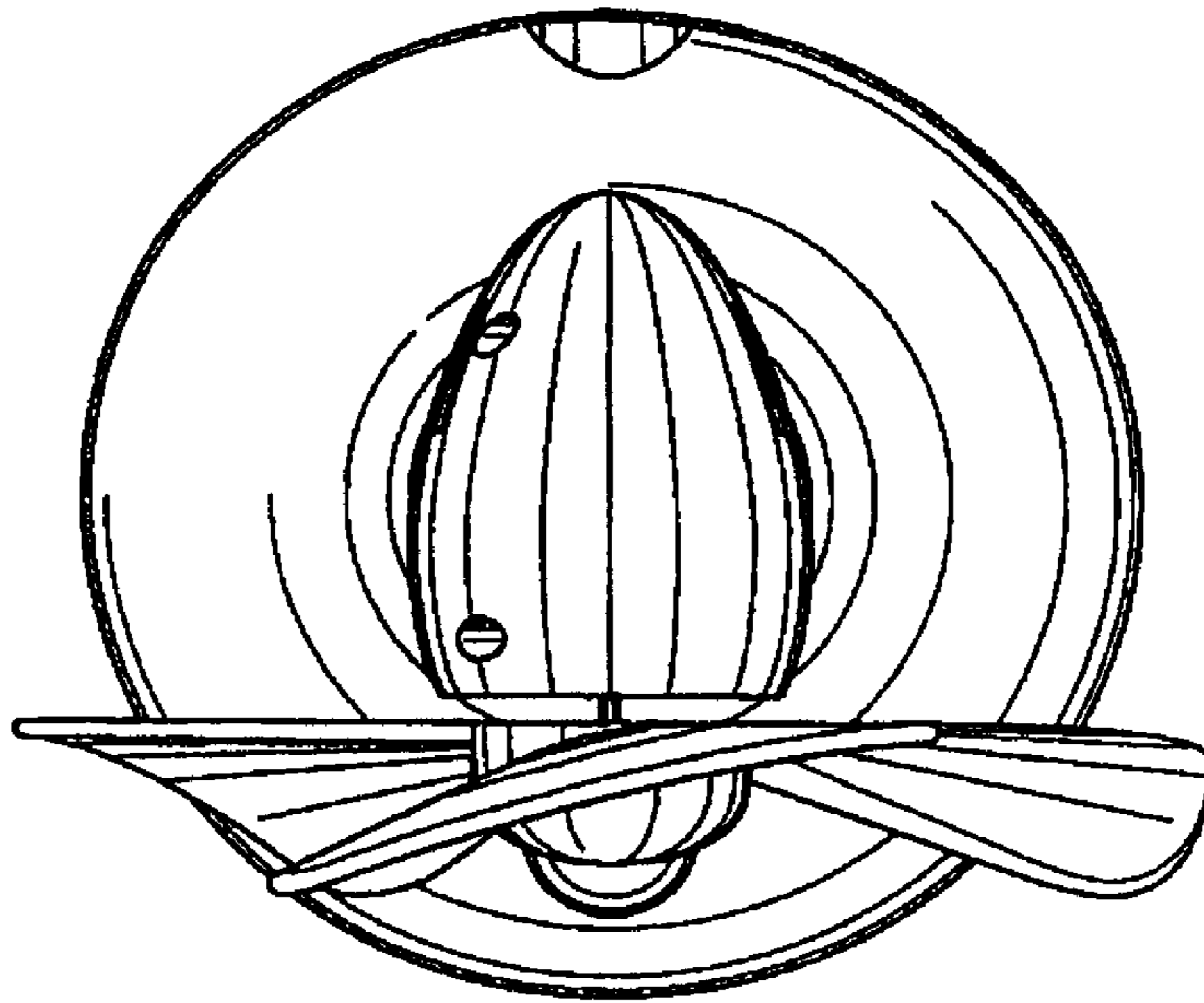


FIG. 6

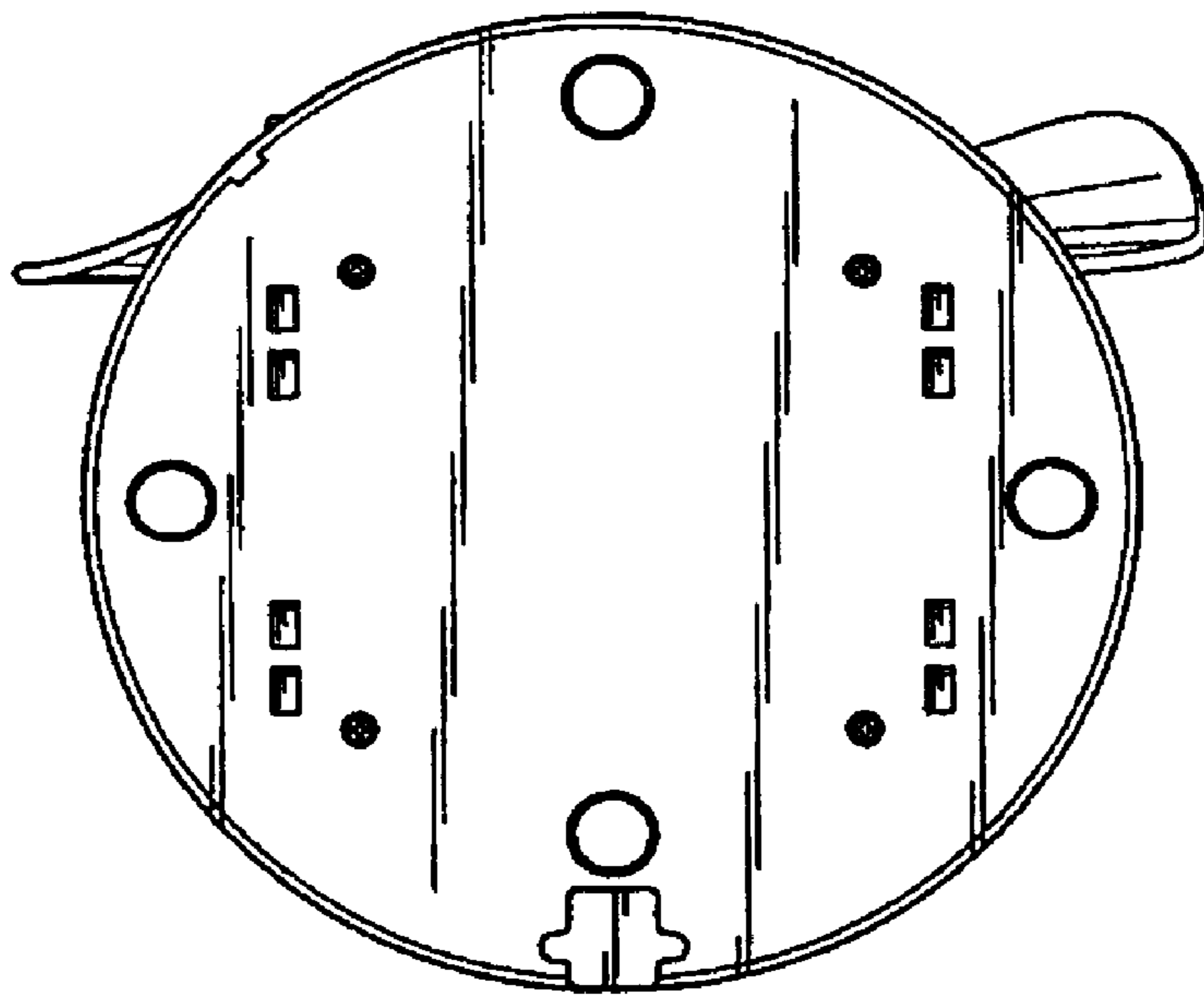


FIG. 7