



US00D513315S

(12) **United States Design Patent**
Hidalgo

(10) **Patent No.:** **US D513,315 S**

(45) **Date of Patent:** **** Dec. 27, 2005**

(54) **CEILING FAN**

(75) Inventor: **Rolando Hidalgo**, Orange, CA (US)

(73) Assignee: **Minke Lighting, Inc.**, Corona, CA (US)

(**) Term: **14 Years**

(21) Appl. No.: **29/206,380**

(22) Filed: **May 27, 2004**

(51) **LOC (6) Cl.** **23-04**

(52) **U.S. Cl.** **D23/377**

(58) **Field of Search** D23/377, 379,
D23/385, 411, 413; 416/5

(56) **References Cited**

U.S. PATENT DOCUMENTS

D352,997 S	*	11/1994	DiPasquale	D23/411
D454,630 S	*	3/2002	Hidalgo	D23/377
D480,129 S	*	9/2003	Curtin	D23/377
D480,797 S	*	10/2003	Young	D23/411

OTHER PUBLICATIONS

Minka Aire 2000; p. 24, Jan. 2000, Minka Lighting, Inc. USA.
Minka Aire 2004; pp. 42–43, Jan. 2004, Minka Lighting, Inc. USA.
Minka Aire—The Art of Air Management, p. 19, Jan. 1998, Minka Lighting, Inc., USA.

Minka Aire—The Art of Air Management, p. 31, Jan. 1998, Minka Lighting, Inc., USA.

* cited by examiner

Primary Examiner—Lisa Lichtenstein

(74) *Attorney, Agent, or Firm*—Baker McKenzie LLP

(57) **CLAIM**

The ornamental design for the ceiling fan, as shown and described.

DESCRIPTION

FIG. 1 is a perspective view from below of a ceiling fan in accordance with my design;

FIG. 2 is an enlarged perspective view from below of the ceiling fan in accordance with my design;

FIG. 3 is a reduced bottom plan view of the ceiling fan in accordance with my design;

FIG. 4 is a reduced top plan view of the ceiling fan in accordance with my design;

FIG. 5 is a front elevation view of the ceiling fan in accordance with my design the opposite side being a mirror image of that shown; and,

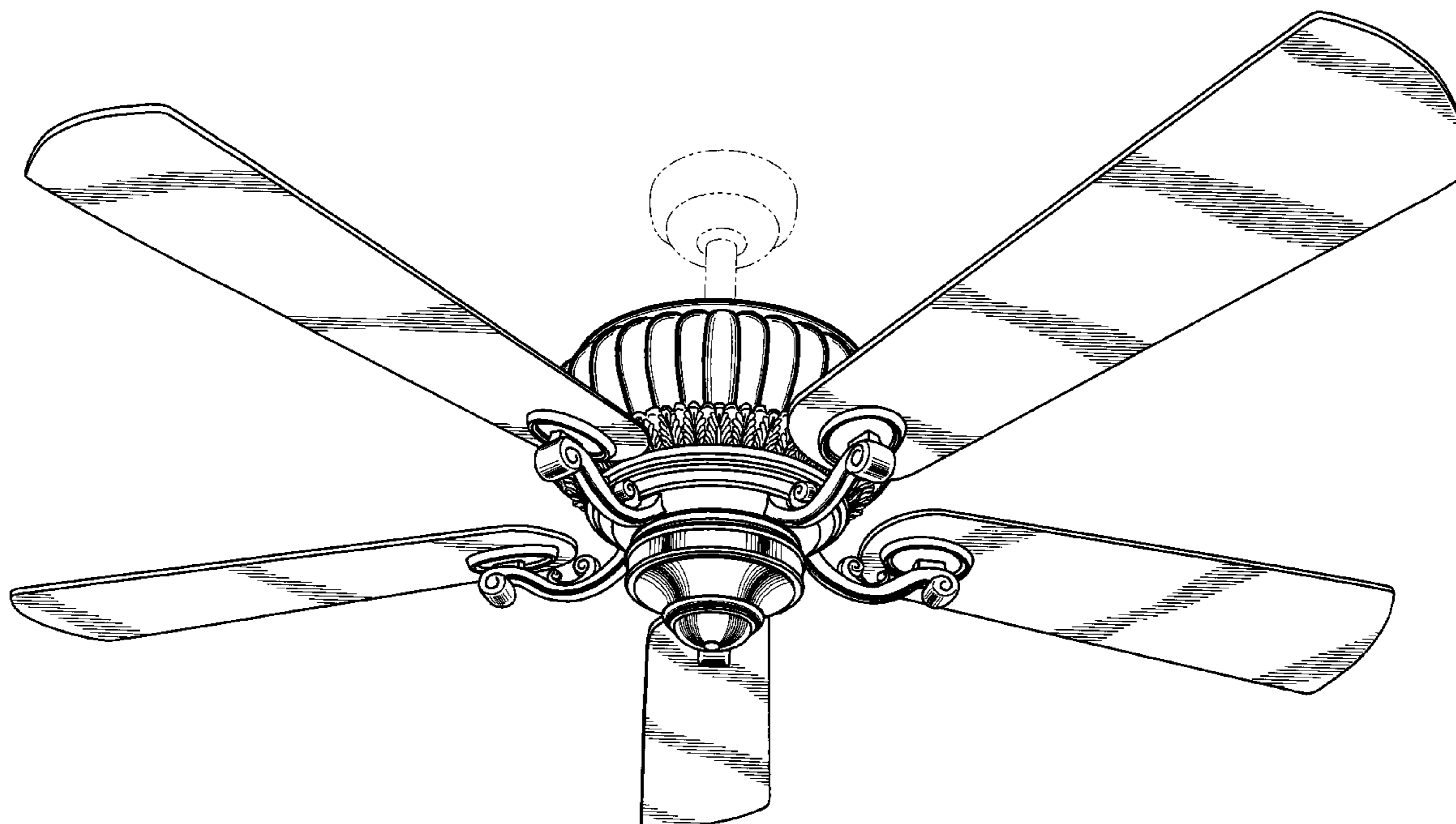
FIG. 6 is a side elevation view of the ceiling fan in accordance with my design.

FIGS. 5 and 6 are identical except for the positioning of the fan blades.

The broken lines showing environmental structure are for illustrative purposes and form no part of the claimed design.

In FIG. 2, the fan blades are shown broken away to indicate indeterminate length.

1 Claim, 6 Drawing Sheets



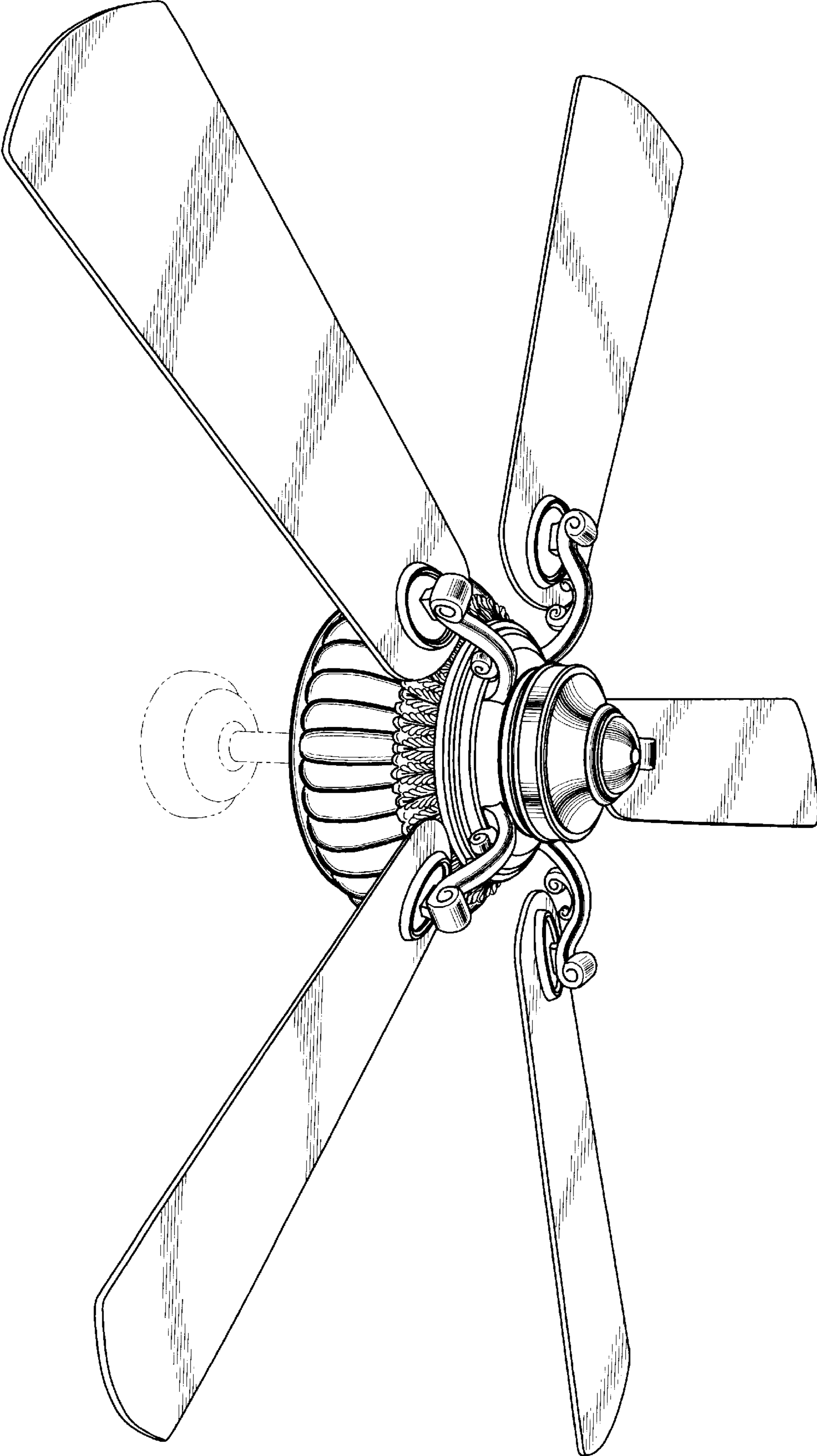


Fig. 1

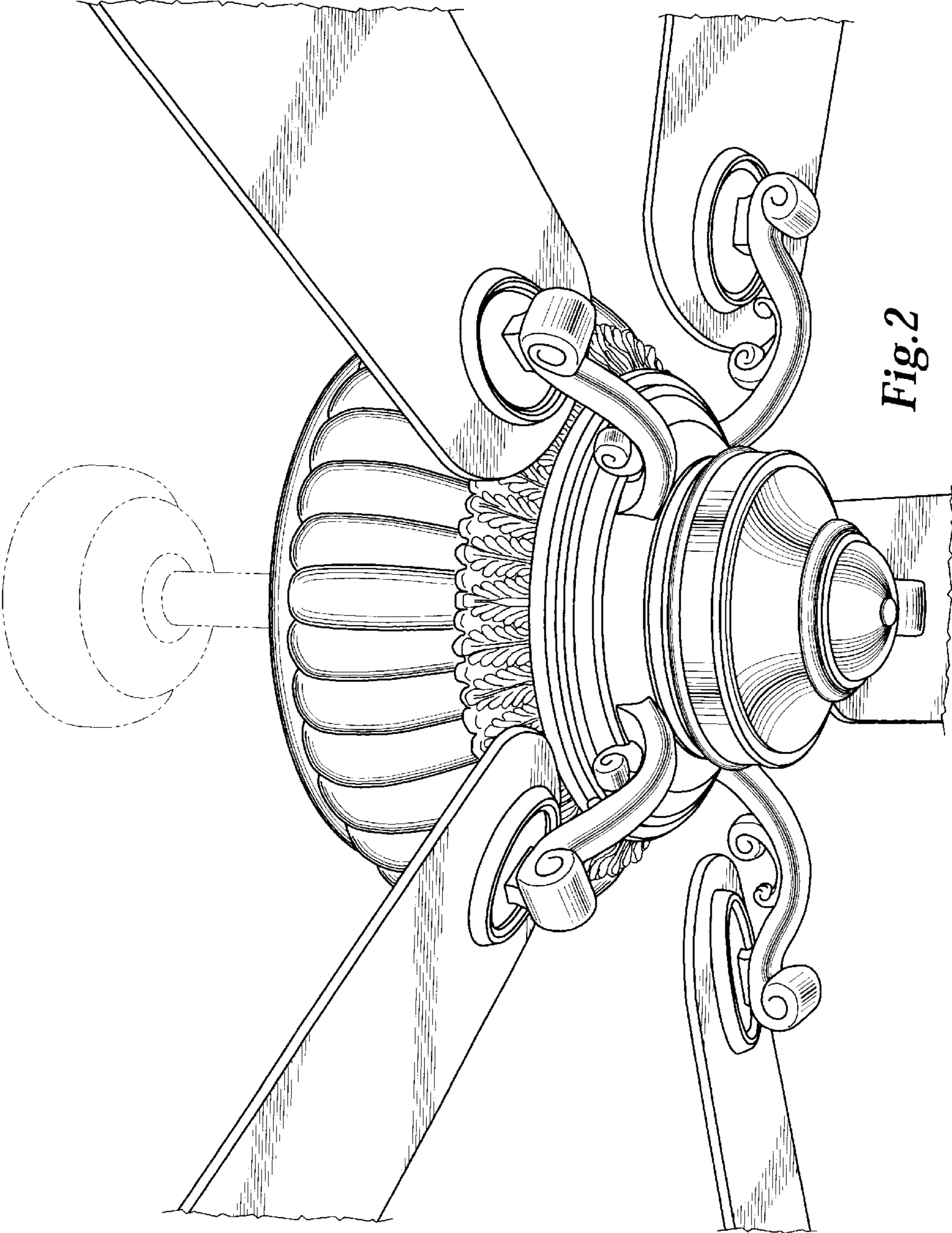


Fig. 2

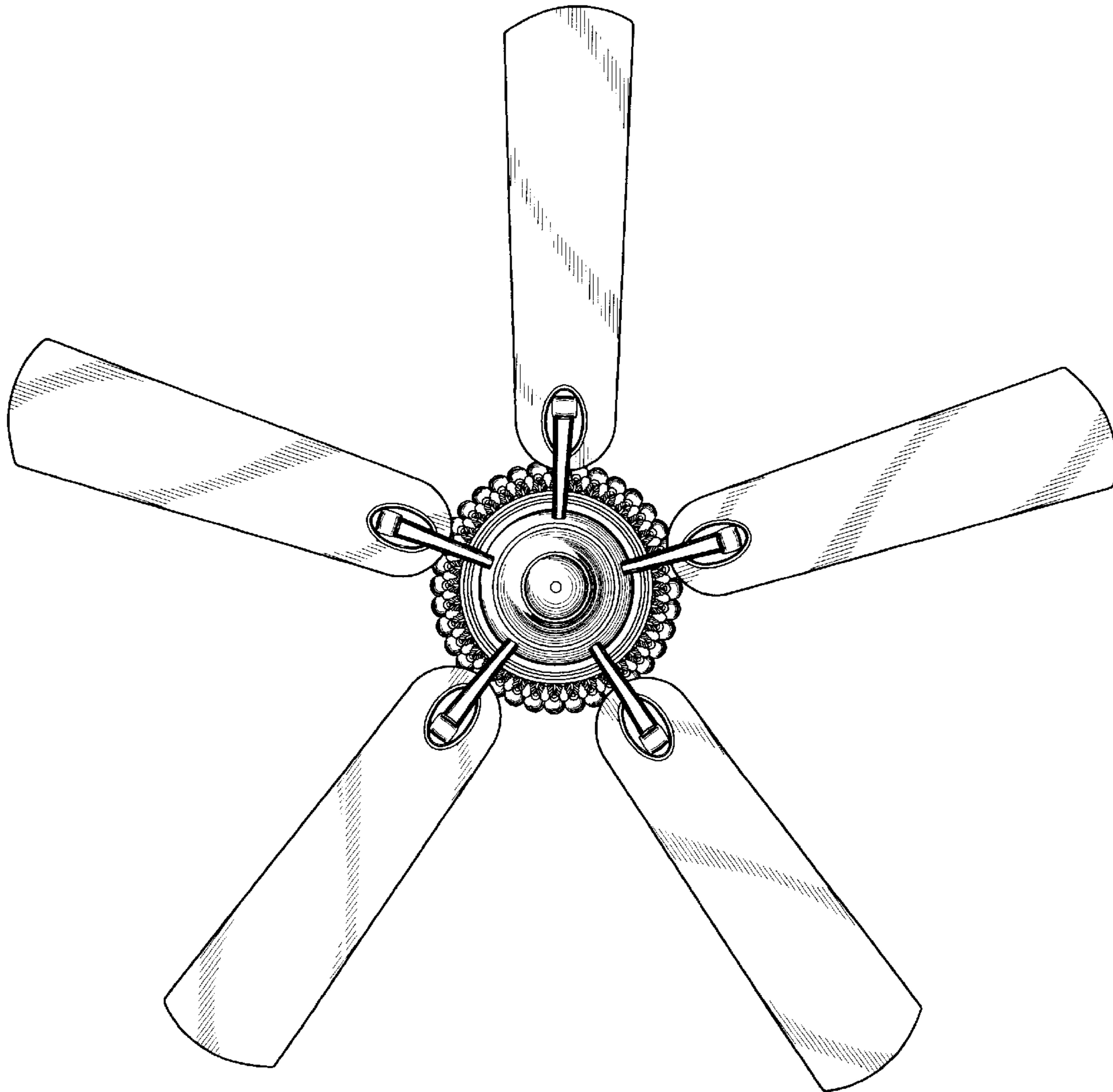


Fig.3

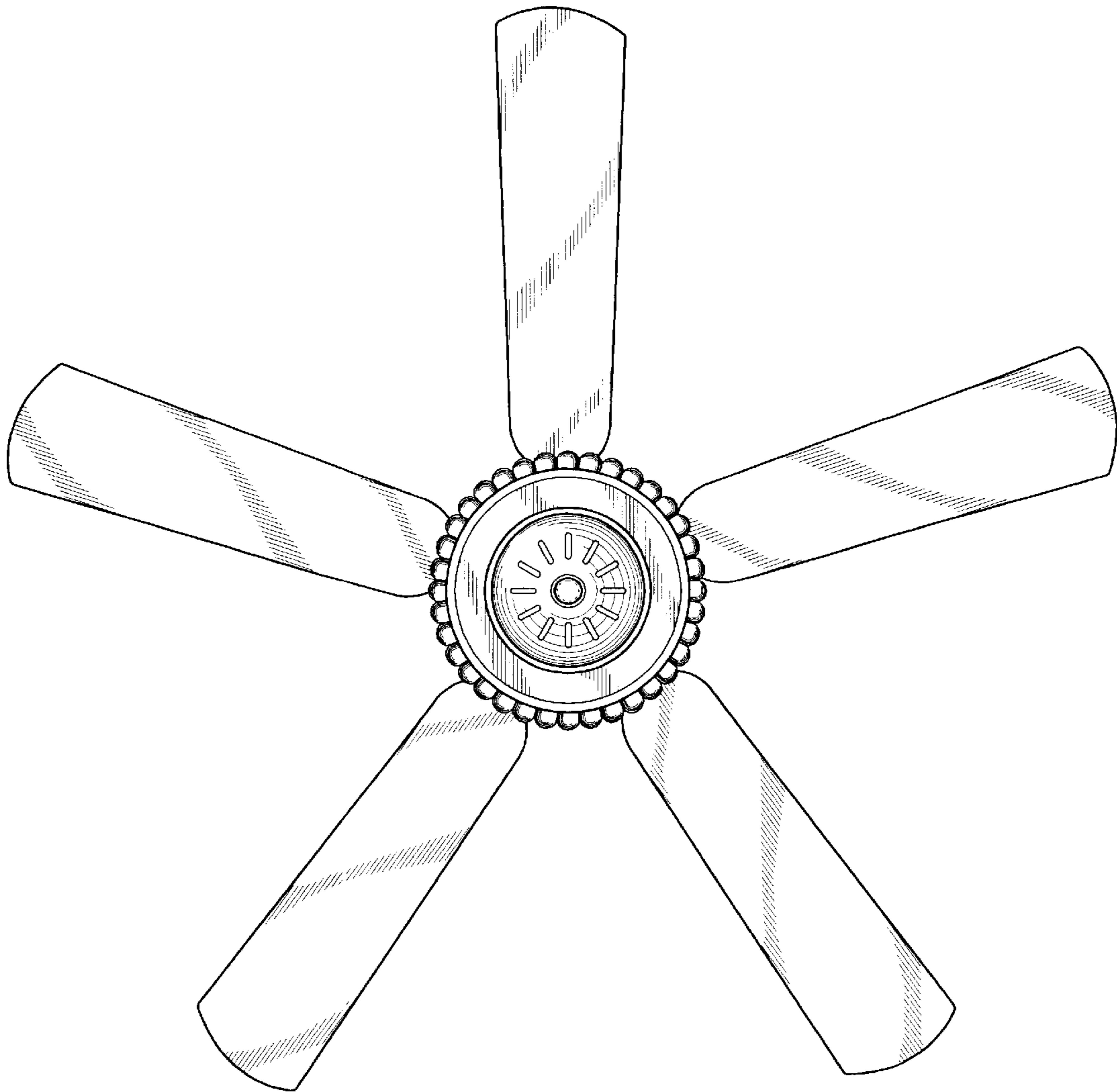


Fig.4

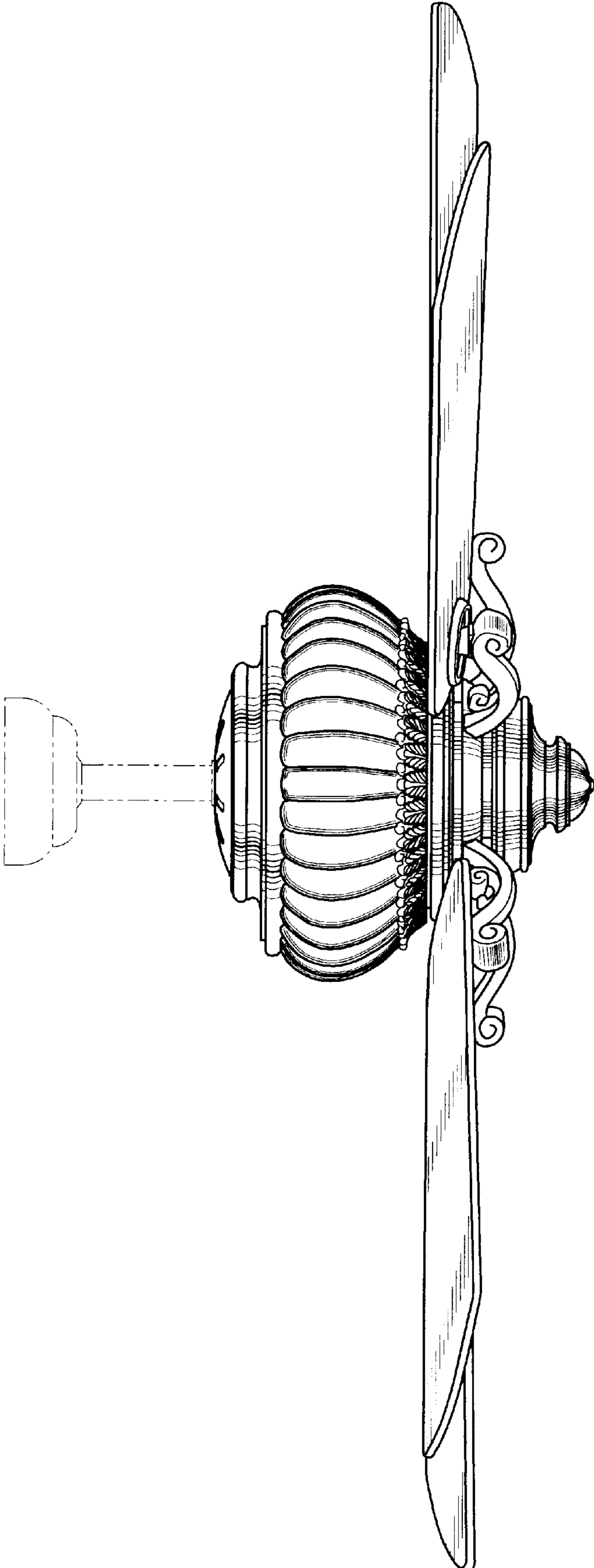


Fig.5

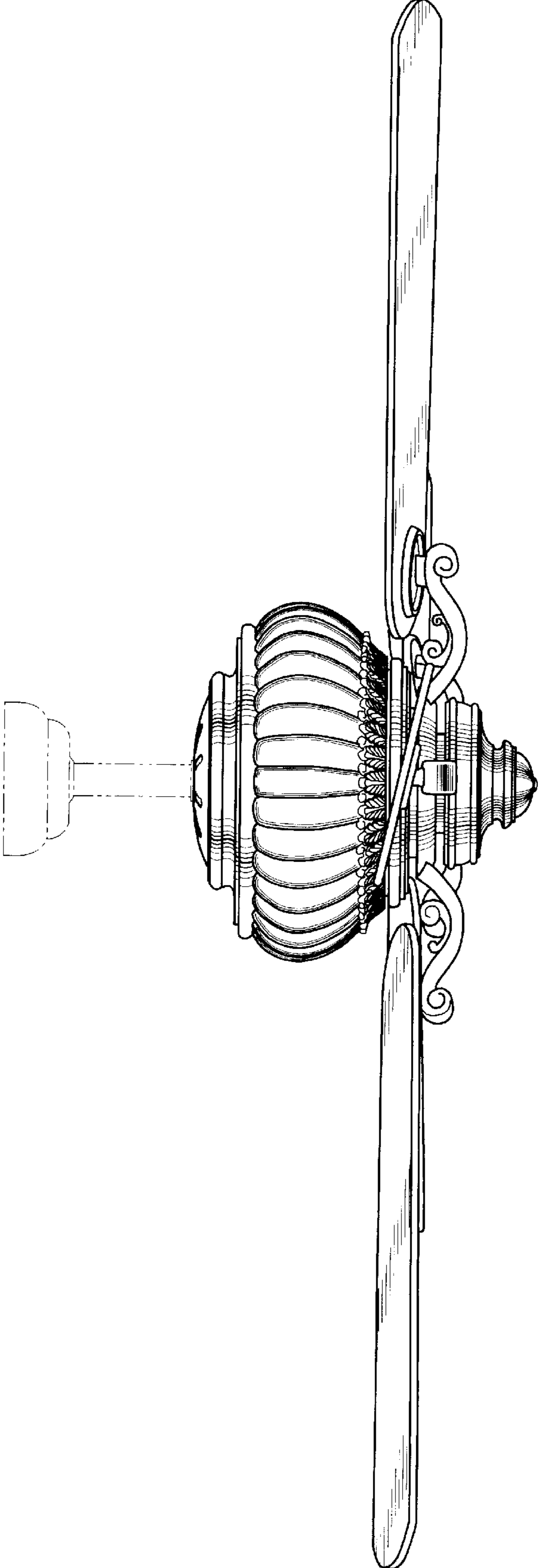


Fig.6

UNITED STATES PATENT AND TRADEMARK OFFICE
CERTIFICATE OF CORRECTION

PATENT NO. : Des. 513,315 S
APPLICATION NO. : 29/206380
DATED : December 27, 2005
INVENTOR(S) : Rolando Hidalgo

Page 1 of 1

It is certified that error appears in the above-identified patent and that said Letters Patent is hereby corrected as shown below:

On Title Page col. 1
(73) Assignee: Minka Lighting, Inc., Corona, CA

Signed and Sealed this

Eighteenth Day of July, 2006

A handwritten signature in black ink on a light gray dotted background. The signature reads "Jon W. Dudas" in a cursive style.

JON W. DUDAS

Director of the United States Patent and Trademark Office