

US00D513311S

(12) **United States Design Patent**
Parrette

(10) **Patent No.:** **US D513,311 S**
(45) **Date of Patent:** **** Dec. 27, 2005**

(54) **PLUMBING FIXTURE**

(75) Inventor: **Robert N. Parrette**, Griswold, CT (US)

(73) Assignee: **Motorcycle Faucets and Fixtures, Inc.**, New London, CT (US)

(**) Term: **14 Years**

(21) Appl. No.: **29/229,488**

(22) Filed: **May 6, 2005**

Related U.S. Application Data

(62) Division of application No. 29/199,854, filed on Feb. 18, 2004, now Pat. No. Des. 506,809.

(51) **LOC (6) Cl.** **23-01**

(52) **U.S. Cl.** **D23/251**

(58) **Field of Search** D23/238–257;
D8/300–322, 350–353, DIG. 3; 16/110.1;
4/675–678, 615; 137/801; D21/538, 432;
D12/178, 110

(56) **References Cited**

U.S. PATENT DOCUMENTS

D389,536 S	1/1998	Mira Verdu	D21/538
D390,889 S	* 2/1998	Rodriguez Ferre	D21/538
D428,068 S	7/2000	Lerch	D21/432
6,226,812 B1	5/2001	Ker	4/615
D458,566 S	* 6/2002	Carlini	D12/178
D461,223 S	8/2002	Duncan et al.	D23/215
D470,438 S	* 2/2003	Tateishi et al.	D12/110
D470,572 S	2/2003	Parrette	D23/242

D506,809 S * 6/2005 Parrette D23/242

* cited by examiner

Primary Examiner—Louis S. Zarfes

Assistant Examiner—Gregory Andoll

(74) *Attorney, Agent, or Firm*—McCormick, Paulding & Huber LLP

(57) **CLAIM**

The ornamental design for a plumbing fixture, as shown and described.

DESCRIPTION

FIG. 1 is a perspective view from the front of my plumbing fixture in one embodiment.

FIG. 2 is a rear view of my plumbing fixture as shown in FIG. 1.

FIG. 3 is a top view of my plumbing fixture as shown in FIG. 1.

FIG. 4 is a right side view of my plumbing fixture as shown in FIG. 1, the left side view being a mirror image.

FIG. 5 is a perspective view from the front of my plumbing fixture in another embodiment.

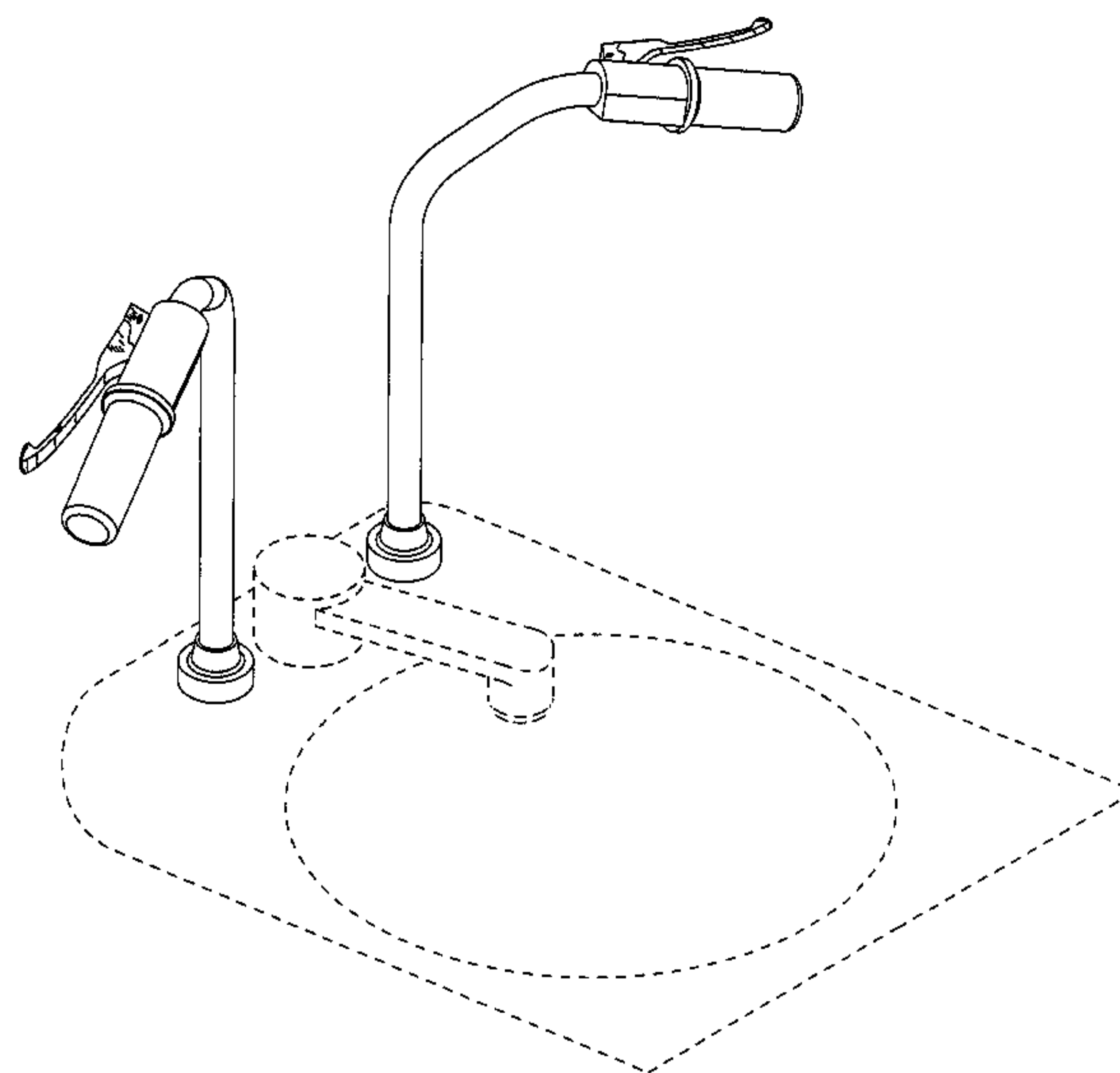
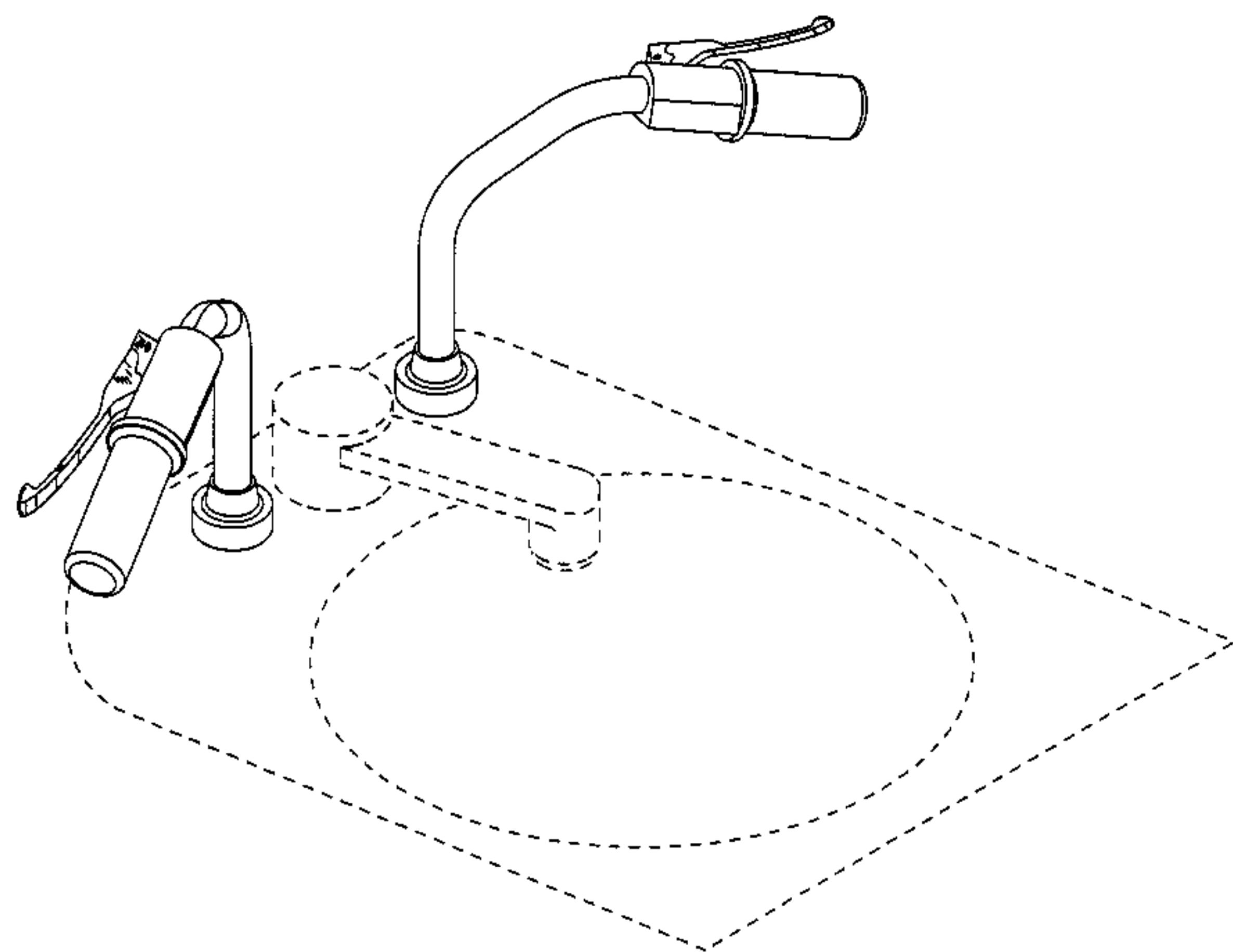
FIG. 6 is a rear view of my plumbing fixture as shown in FIG. 5.

FIG. 7 is a top view of my plumbing fixture as shown in FIG. 5; and,

FIG. 8 is a right side view of my plumbing fixture as shown in FIG. 5, the left side being a mirror image.

The broken lines in the Figures are for illustrative purposes only and form no part of the claimed design.

1 Claim, 8 Drawing Sheets



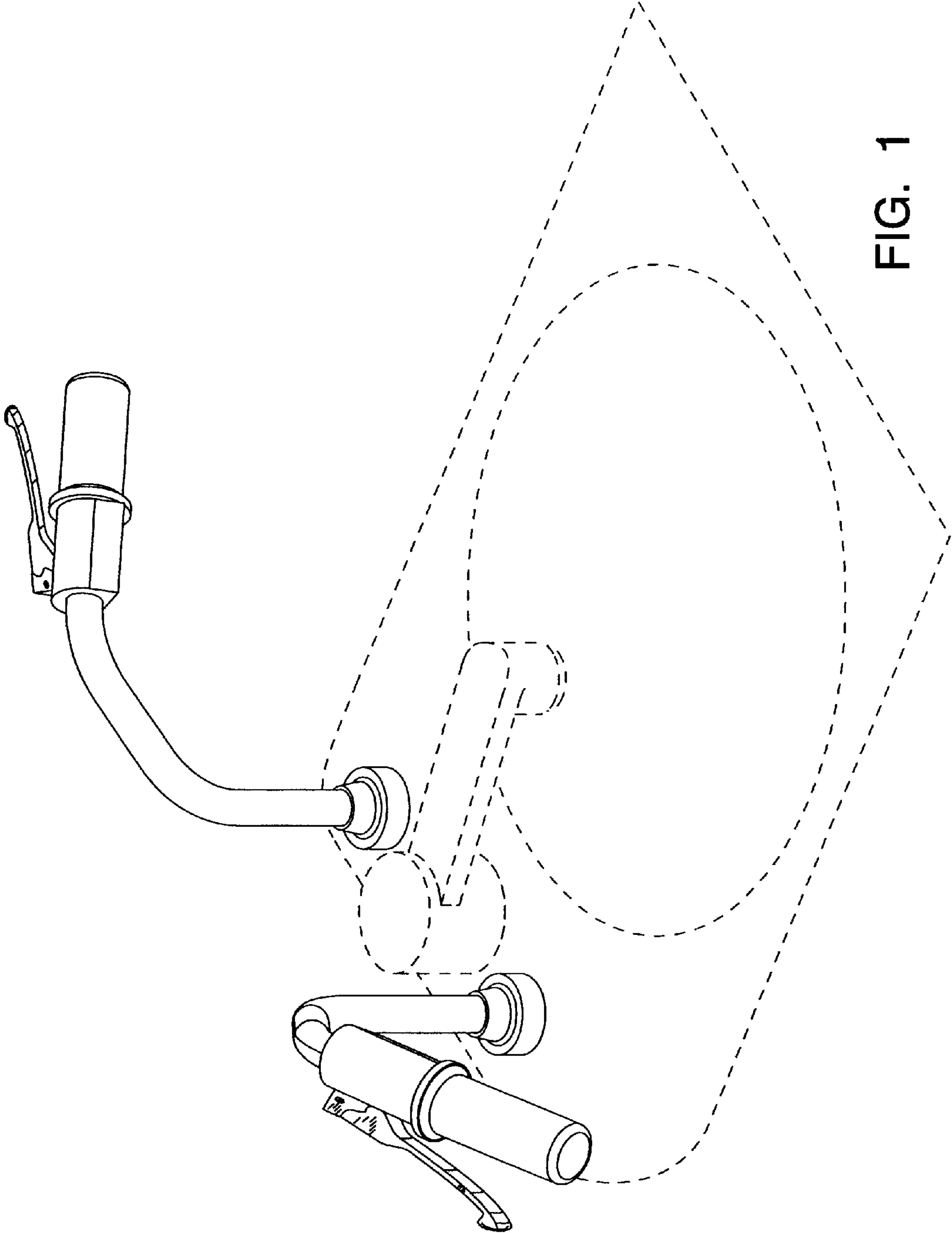


FIG. 1

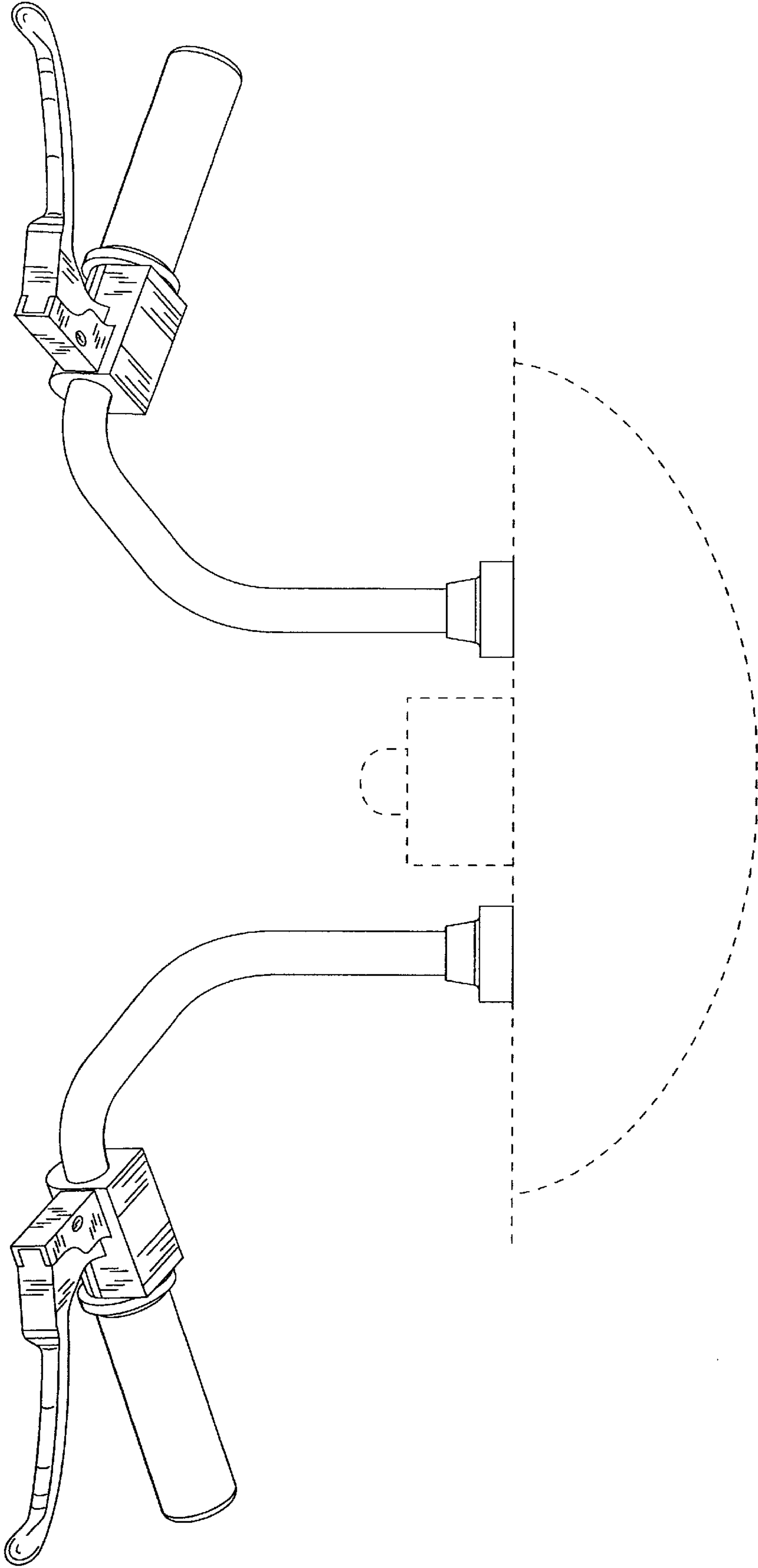


FIG. 2

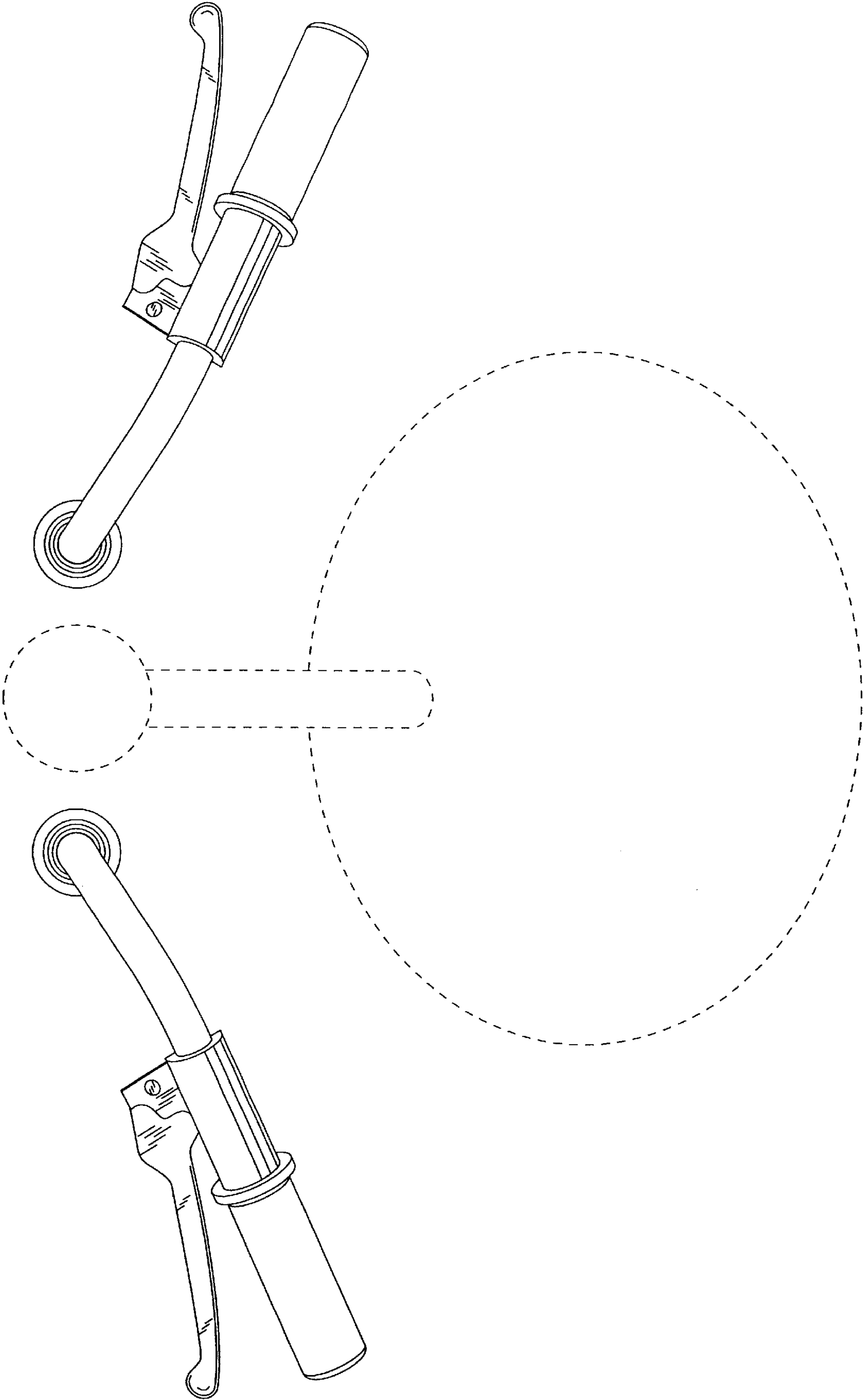


FIG. 3

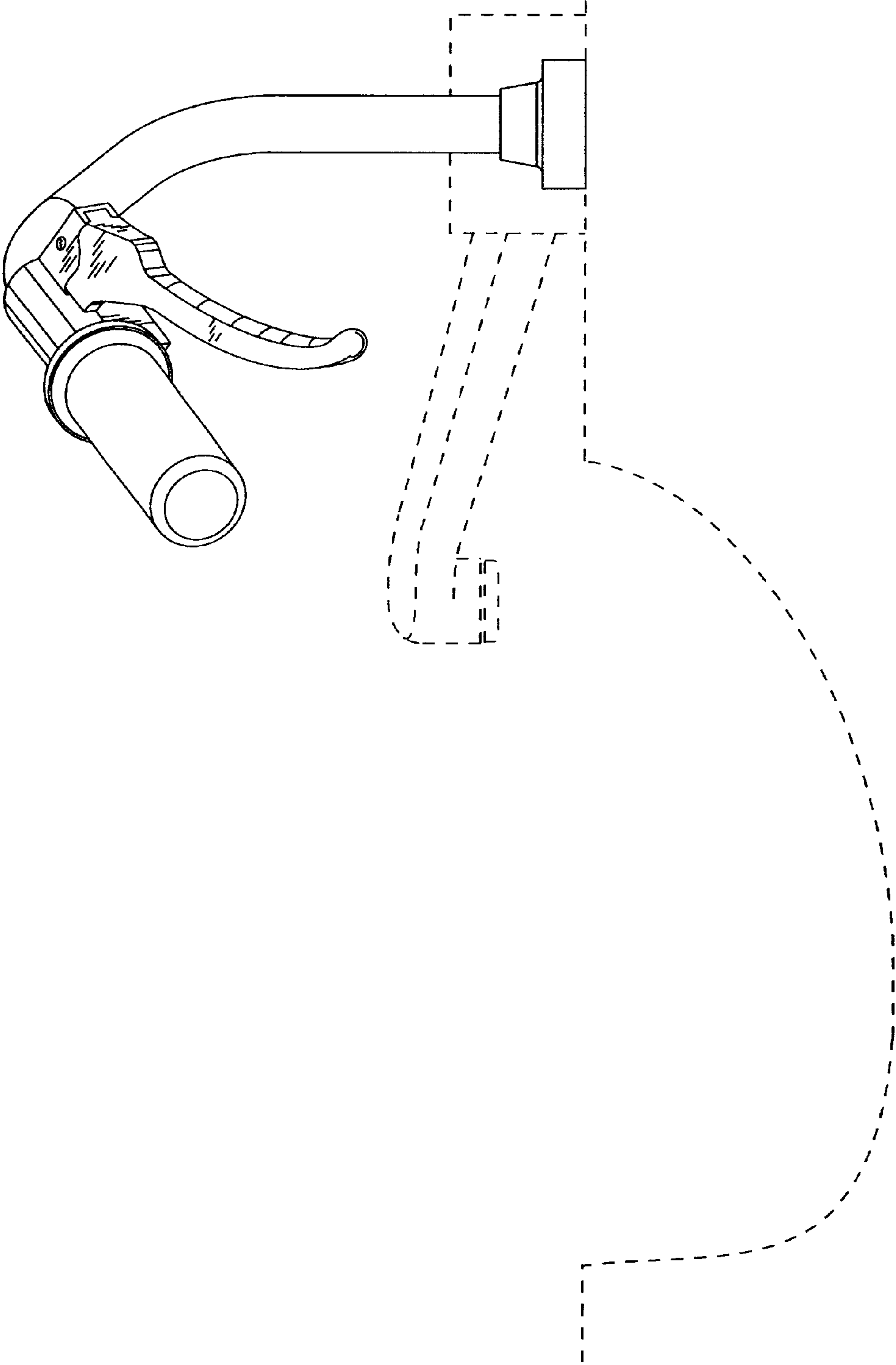


FIG. 4

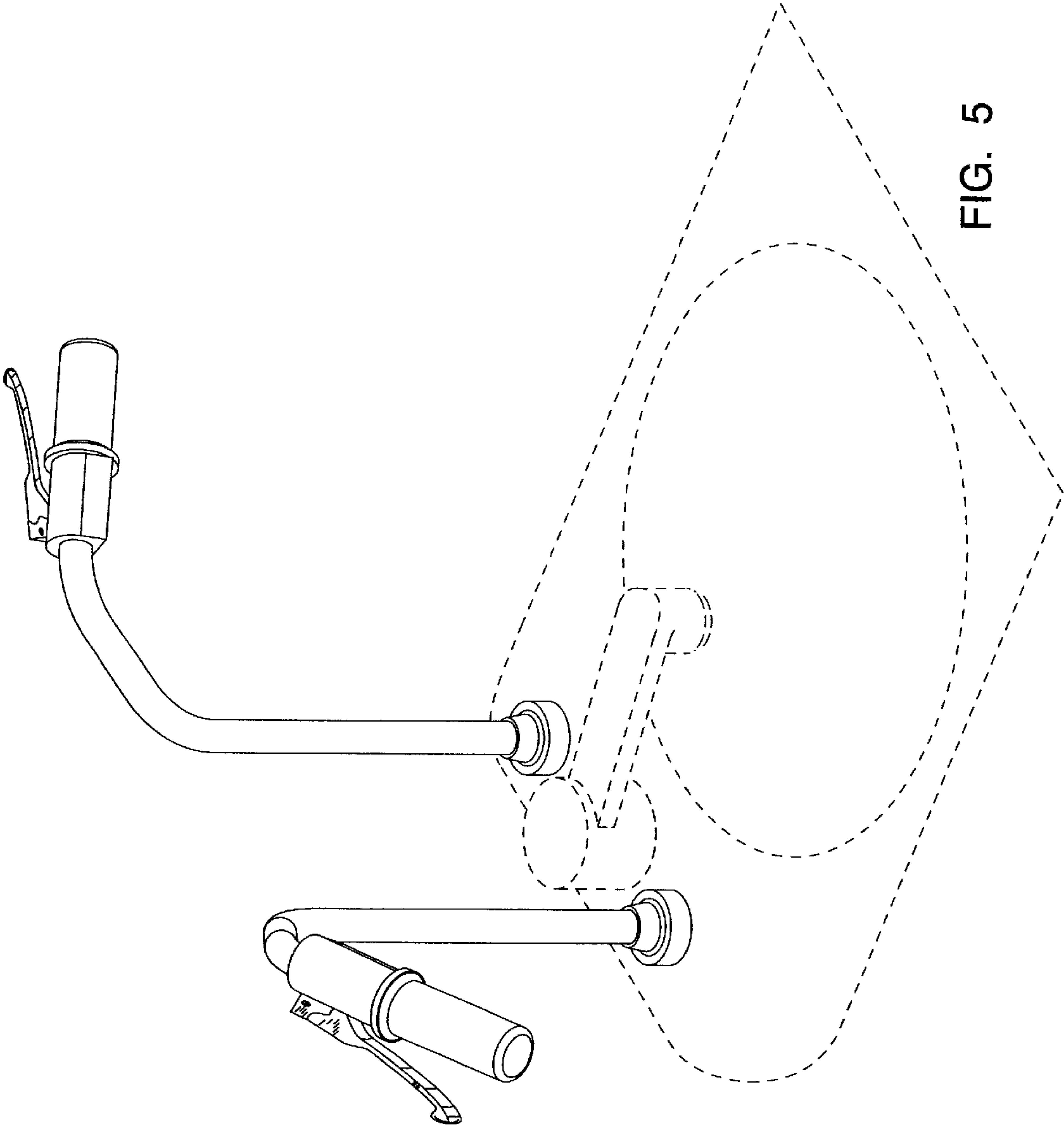
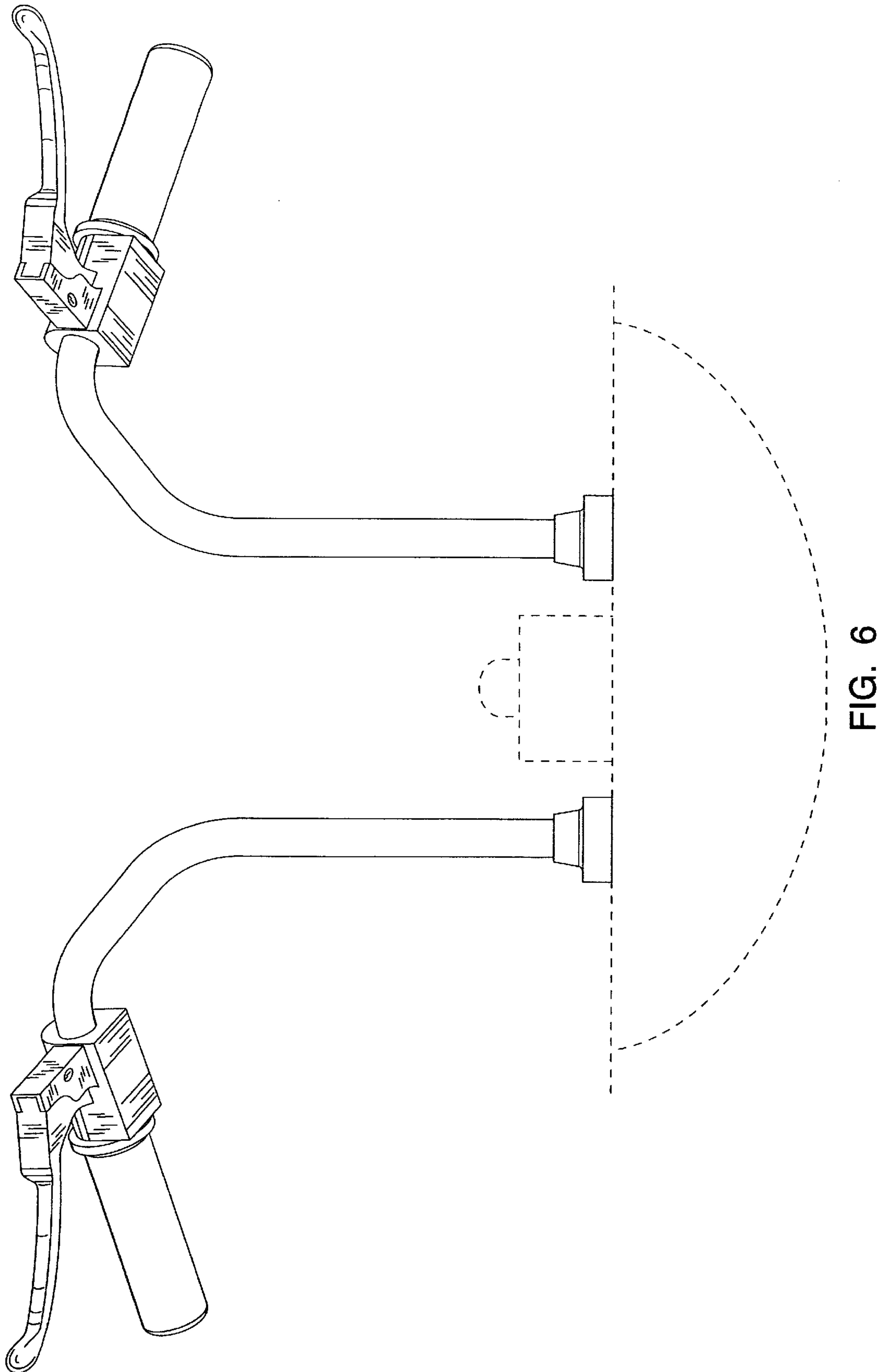


FIG. 5



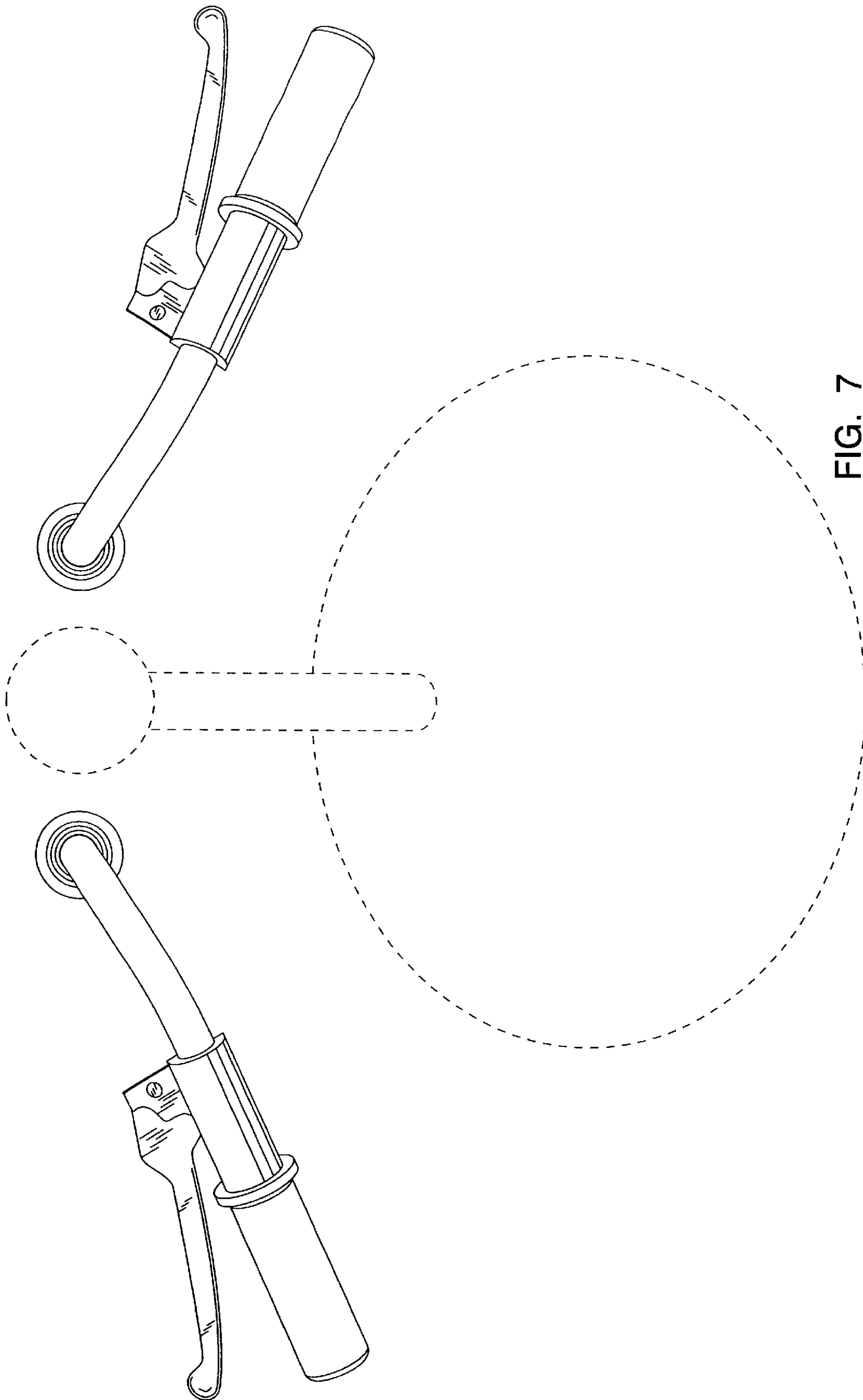


FIG. 7

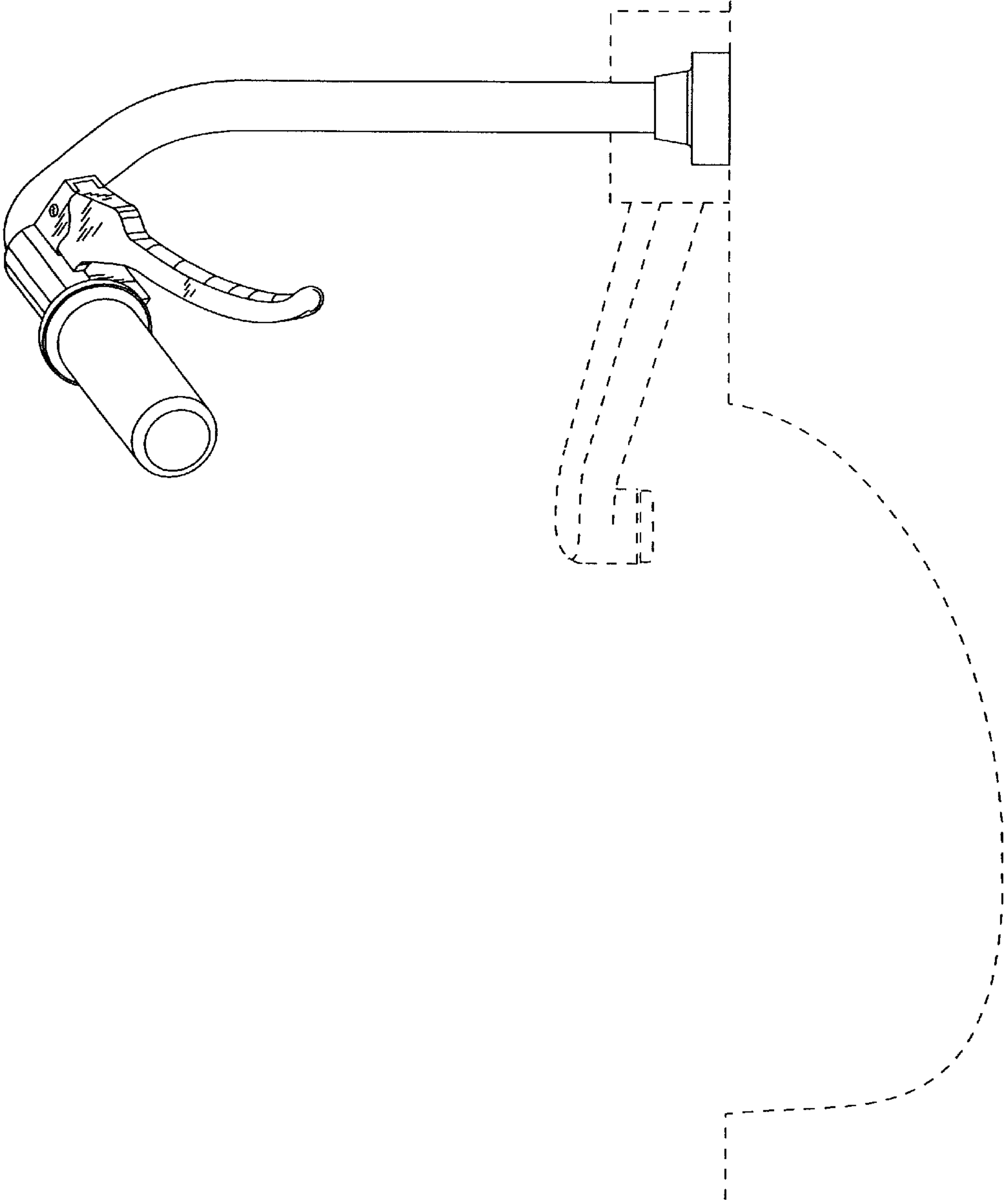


FIG. 8