



US00D513308S

(12) **United States Design Patent**
Paini

(10) **Patent No.:** **US D513,308 S**

(45) **Date of Patent:** **** Dec. 27, 2005**

(54) **TAP**

D364,215 S * 11/1995 Starck D23/242
D468,410 S * 1/2003 Hundley D23/255
D492,392 S * 6/2004 Pohl et al. D23/242

(75) **Inventor:** **Marco Paini**, Novara (IT)

(73) **Assignee:** **Paini S.p.A.**, Novara (IT)

(**) **Term:** **14 Years**

* cited by examiner

Primary Examiner—Louis S. Zarfaz
Assistant Examiner—Gregory Andoll
(74) *Attorney, Agent, or Firm*—Hogan & Hartson L.L.P.

(21) **Appl. No.:** **29/198,613**

(22) **Filed:** **Jan. 30, 2004**

(57) **CLAIM**

(30) **Foreign Application Priority Data**

The ornamental design for a tap, as shown and described.

Sep. 12, 2003 (IT) MI2003O000364

DESCRIPTION

(51) **LOC (6) Cl.** **23-01**

(52) **U.S. Cl.** **D23/238; D23/255**

(58) **Field of Search** D23/238–257;
4/675–678; 137/801

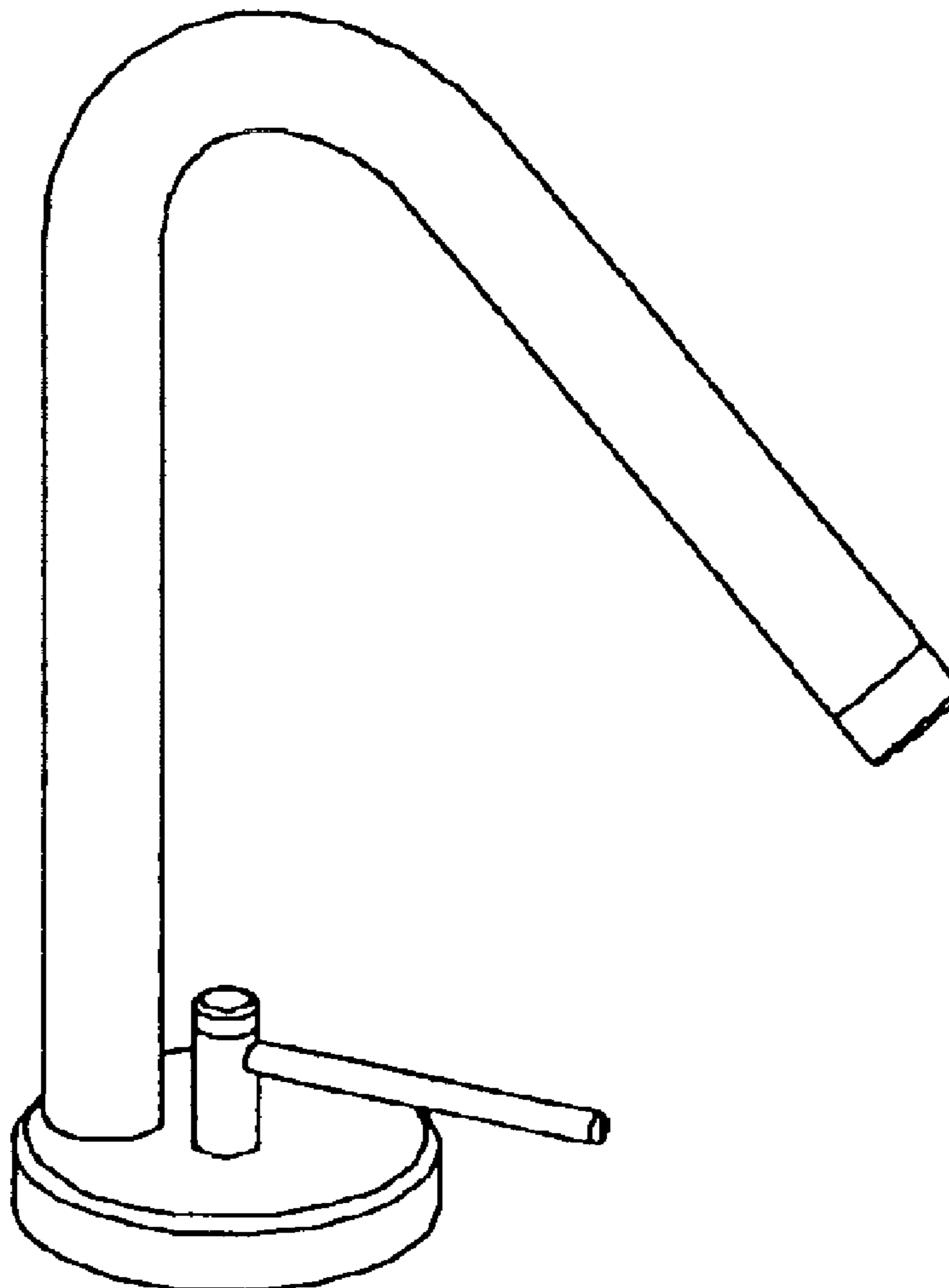
FIG. 1 is a front view of the tap;
FIG. 2 is a side view of the tap;
FIG. 3 is a rear view of the tap;
FIG. 4 is a top view of the tap; and,
FIG. 5 is a perspective view of the tap.

(56) **References Cited**

U.S. PATENT DOCUMENTS

D331,275 S * 11/1992 Knapp D23/238

1 Claim, 2 Drawing Sheets



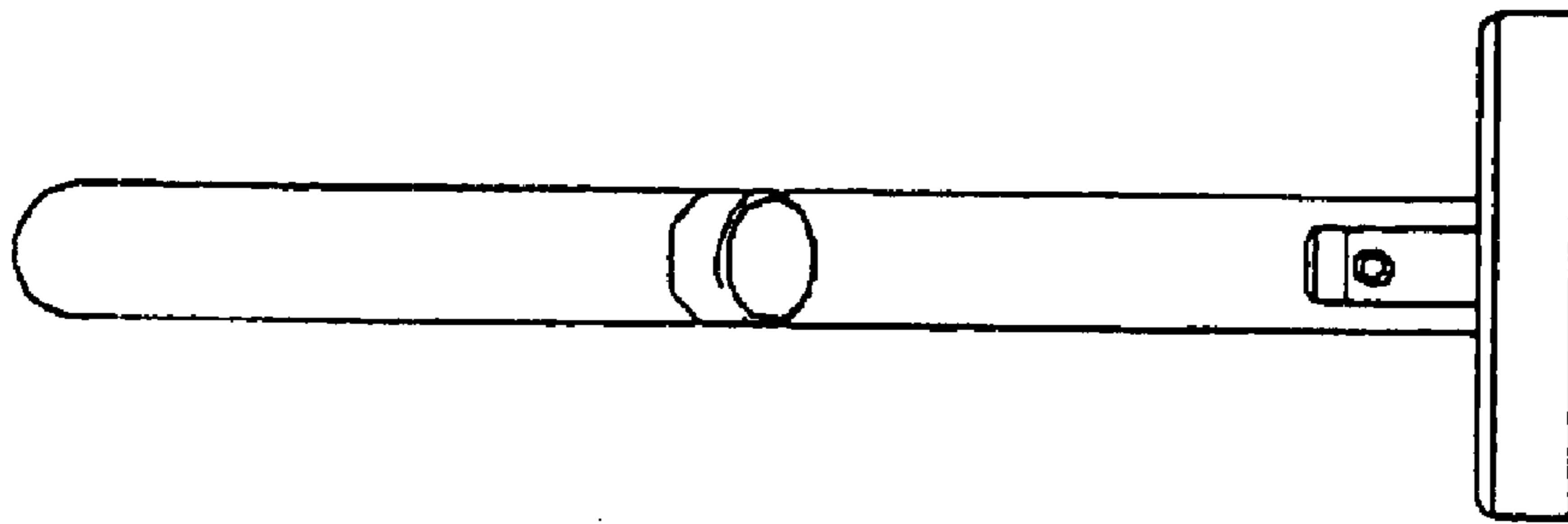


Fig. 1

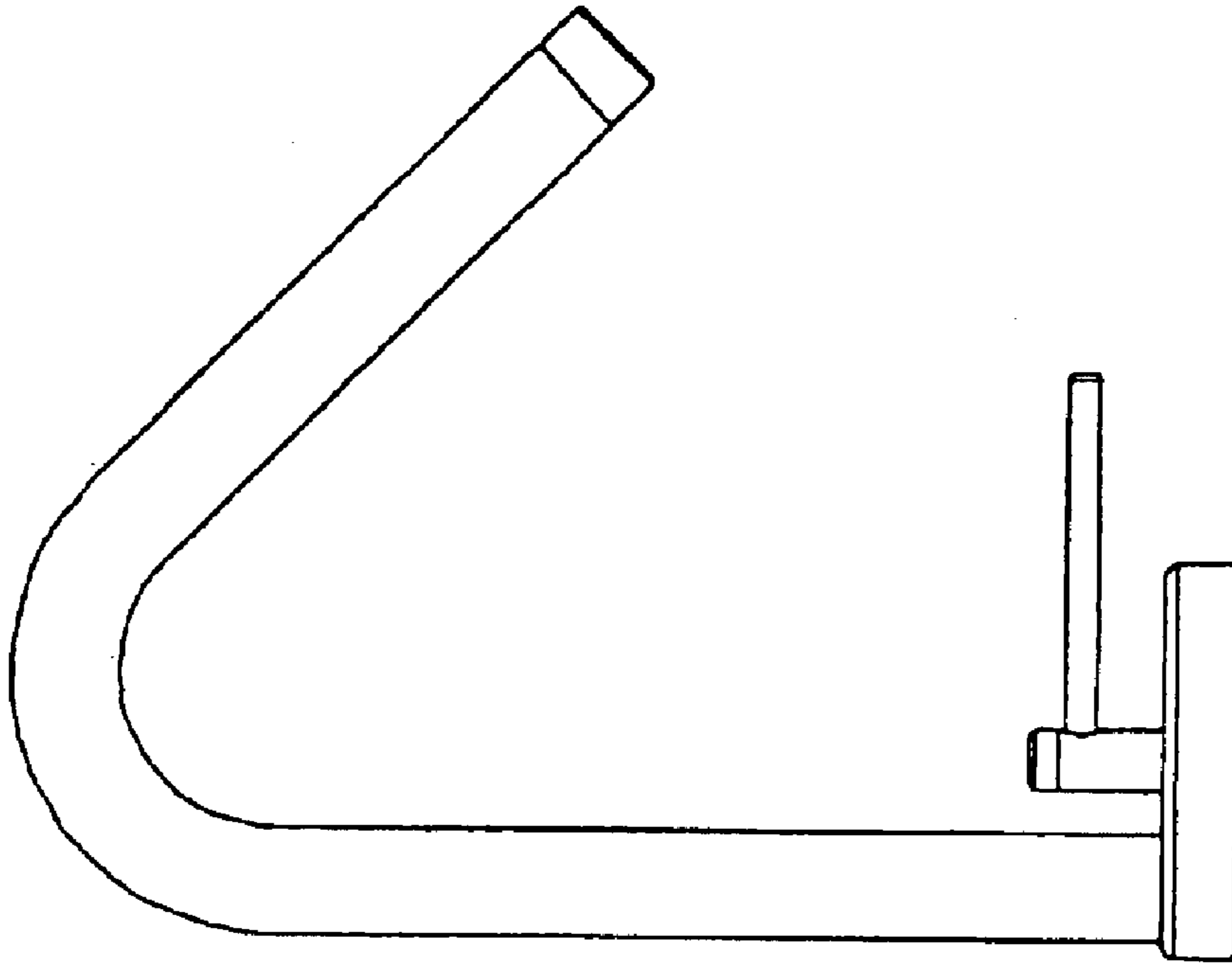


Fig. 2

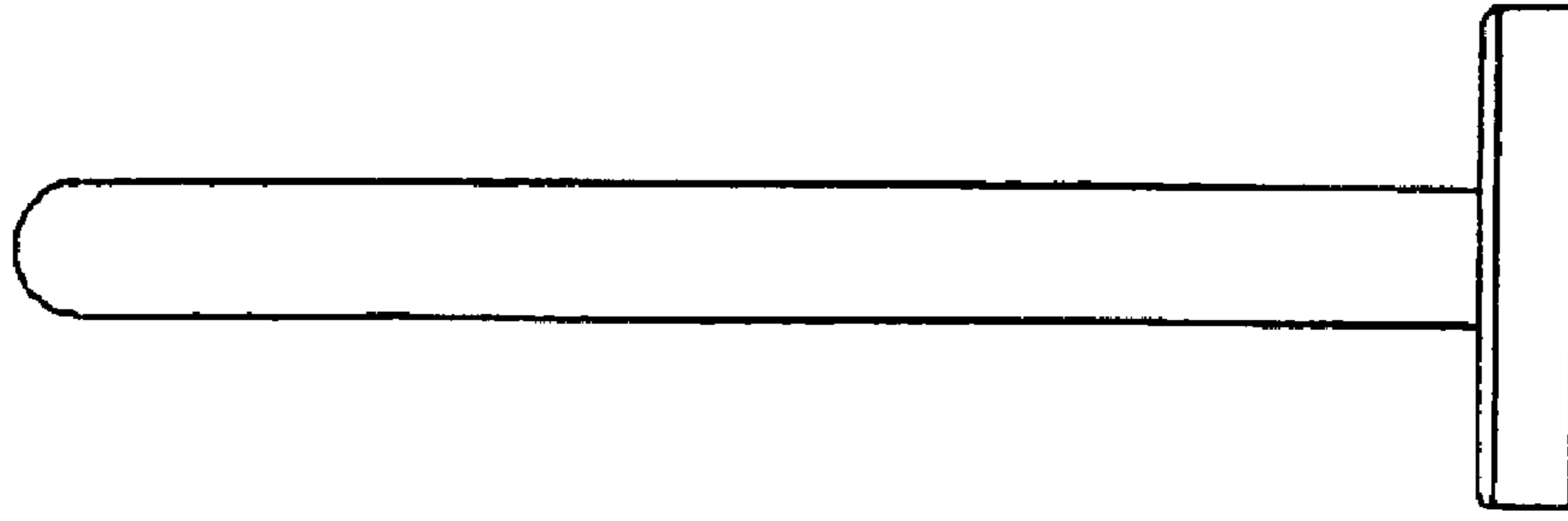


Fig. 3

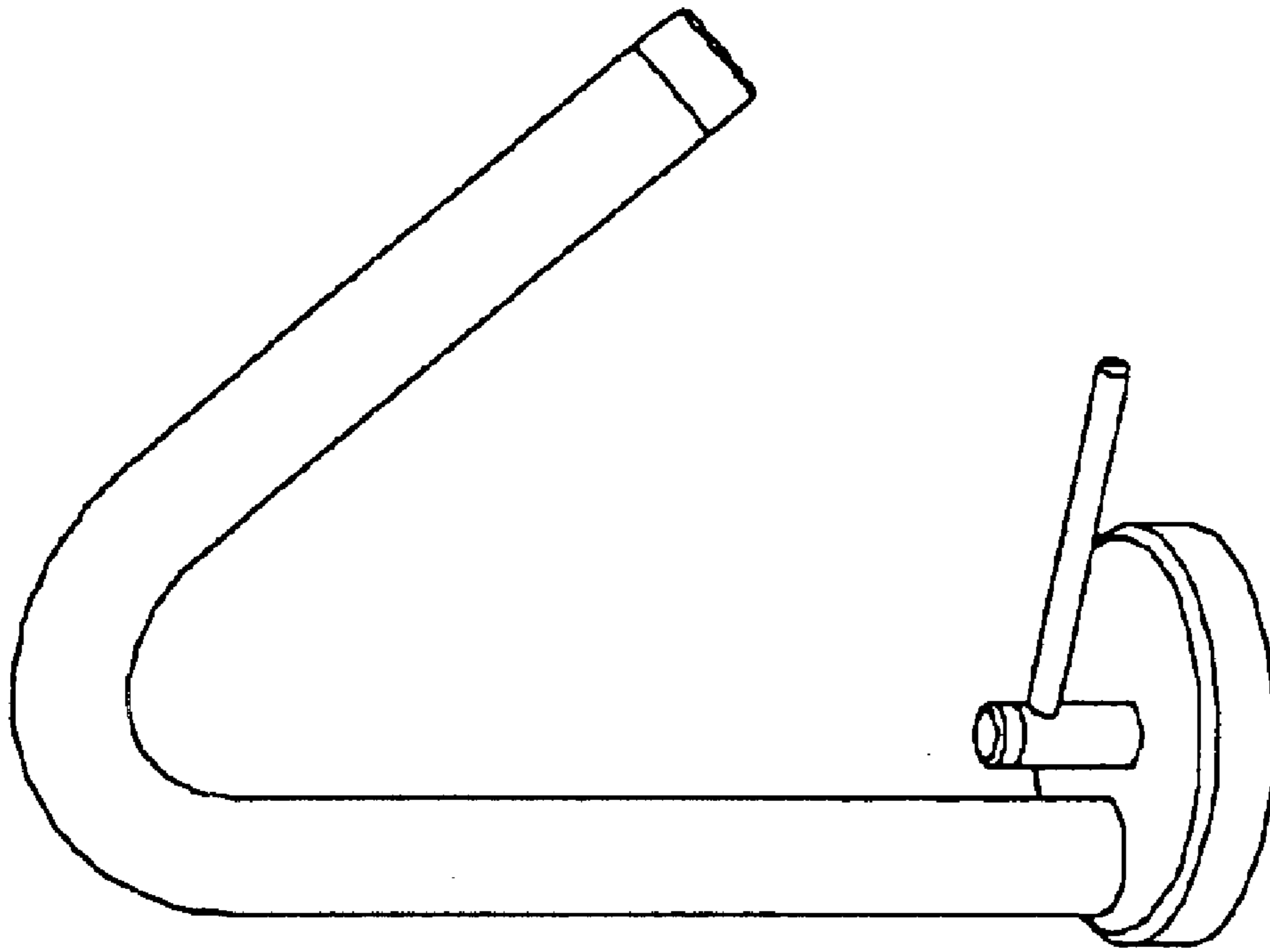


Fig. 5

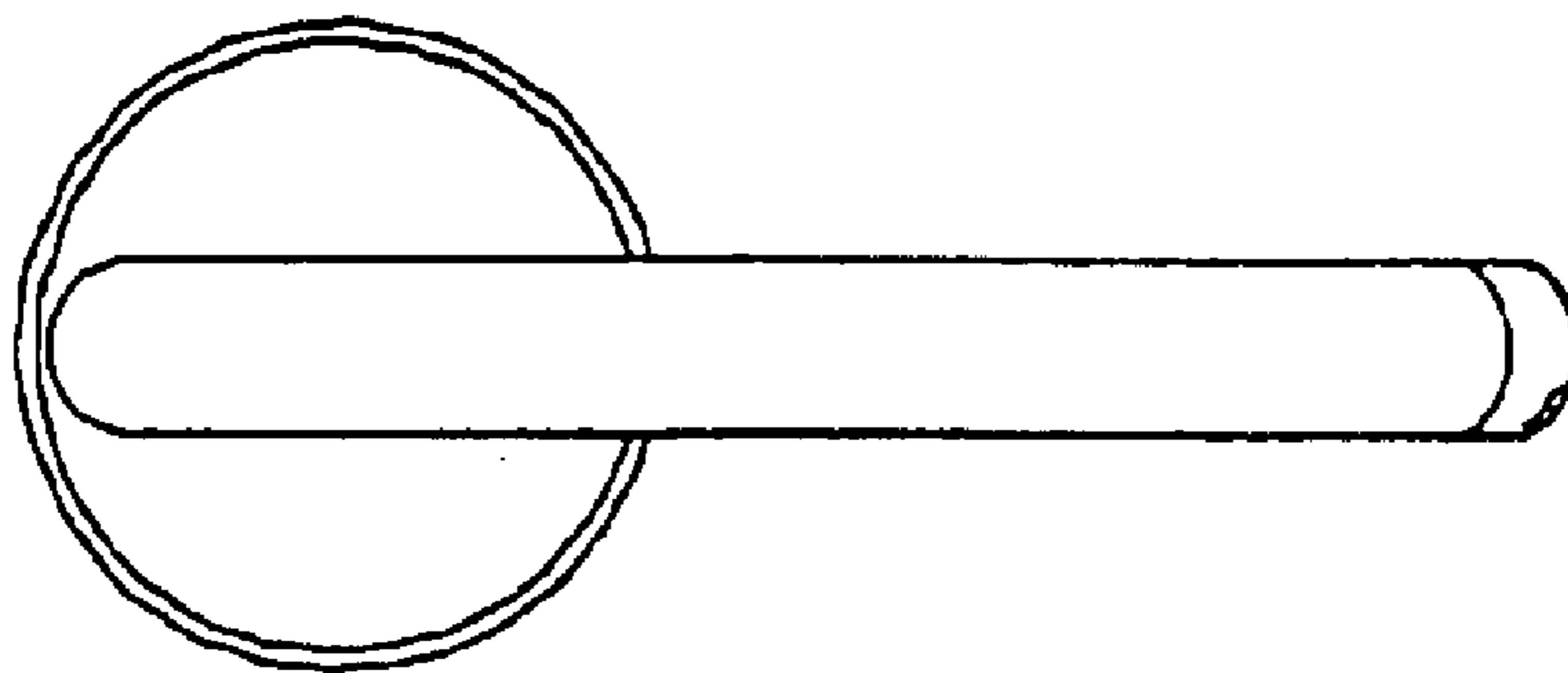


Fig. 4

UNITED STATES PATENT AND TRADEMARK OFFICE
CERTIFICATE OF CORRECTION

PATENT NO. : Des. 513,308 S
APPLICATION NO. : 29/198613
DATED : January 30, 2004
INVENTOR(S) : Marco Paini

Page 1 of 1

It is certified that error appears in the above-identified patent and that said Letters Patent is hereby corrected as shown below:

On the Title Page:

In SECTION 73:

Please change the Assignee's name to read as follows:

PAINI SPA RUBINETTERIE

Signed and Sealed this

Twenty-eighth Day of August, 2007

A handwritten signature in black ink on a light gray dotted background. The signature reads "Jon W. Dudas" in a cursive style.

JON W. DUDAS

Director of the United States Patent and Trademark Office

UNITED STATES PATENT AND TRADEMARK OFFICE
CERTIFICATE OF CORRECTION

PATENT NO. : Des. 513,308 S
APPLICATION NO. : 29/198613
DATED : December 27, 2005
INVENTOR(S) : Marco Paini

Page 1 of 1

It is certified that error appears in the above-identified patent and that said Letters Patent is hereby corrected as shown below:

On the Title Page:

In SECTION 73:

Please change the Assignee's name to read as follows:

PAINI SPA RUBINETTERIE

This certificate supersedes Certificate of Correction issued August 28, 2007.

Signed and Sealed this

Twenty-fifth Day of September, 2007

A handwritten signature in black ink on a dotted background. The signature reads "Jon W. Dudas" in a cursive style.

JON W. DUDAS

Director of the United States Patent and Trademark Office