



US00D513307S

(12) **United States Design Patent** (10) **Patent No.:** **US D513,307 S**  
**Funes et al.** (45) **Date of Patent:** **\*\* Dec. 27, 2005**

(54) **JOINT MEMBER FOR FLUID CONTROL APPARATUS**

(75) Inventors: **Warner F. Funes**, San Jose, CA (US);  
**Gregory W. Ochs**, Fremont, CA (US);  
**Shigeru Itoi**, Osaka (JP)

(73) Assignee: **Fujikin Incorporated**, Osaka (JP)

(\*\*) Term: **14 Years**

(21) Appl. No.: **29/211,982**

(22) Filed: **Aug. 25, 2004**

(51) **LOC (6) Cl.** ..... **23-01**

(52) **U.S. Cl.** ..... **D23/233**

(58) **Field of Search** ..... D23/259, 262,  
D23/233; 285/124.5; 137/884

(56) **References Cited**

**U.S. PATENT DOCUMENTS**

4,082,324 A *	4/1978	Obrecht	.....	285/124.5
D420,100 S *	2/2000	Sato et al.	.....	D23/233
D427,931 S *	7/2000	Hutton	.....	D10/121
D435,087 S *	12/2000	Beaver et al.	.....	D23/233
D439,634 S *	3/2001	Hayashi et al.	.....	D23/233
6,874,537 B2 *	4/2005	Hayashi et al.	.....	137/884

\* cited by examiner

*Primary Examiner*—Robin V. Taylor

(74) *Attorney, Agent, or Firm*—Armstrong, Kratz, Quintos,  
Hanson & Brooks, LLP

(57) **CLAIM**

The ornamental design for joint member for fluid control apparatus, as shown and described.

**DESCRIPTION**

FIG. 1 is a top perspective view of the joint member for fluid control apparatus of the present invention;

FIG. 2 is a bottom perspective view thereof;

FIG. 3 is a front view thereof;

FIG. 4 is a plan view thereof;

FIG. 5 is a left side view thereof;

FIG. 6 is a rear view thereof;

FIG. 7 is a bottom view thereof;

FIG. 8 is a right side view thereof;

FIG. 9 is a cross-sectional view taken along lines IX—IX of FIG. 4;

FIG. 10 is a cross-sectional view taken along lines X—X of FIG. 4;

FIG. 11 is a cross-sectional view taken along lines XI—XI of FIG. 4;

FIG. 12 is a cross-sectional view taken along lines XII—XII of FIG. 4; and,

FIG. 13 is a reference drawing showing the use of the joint member for fluid control apparatus in a part of a fluid control apparatus.

The broken line showing is for illustrative purposes only and forms no part of the claimed design.

**1 Claim, 5 Drawing Sheets**

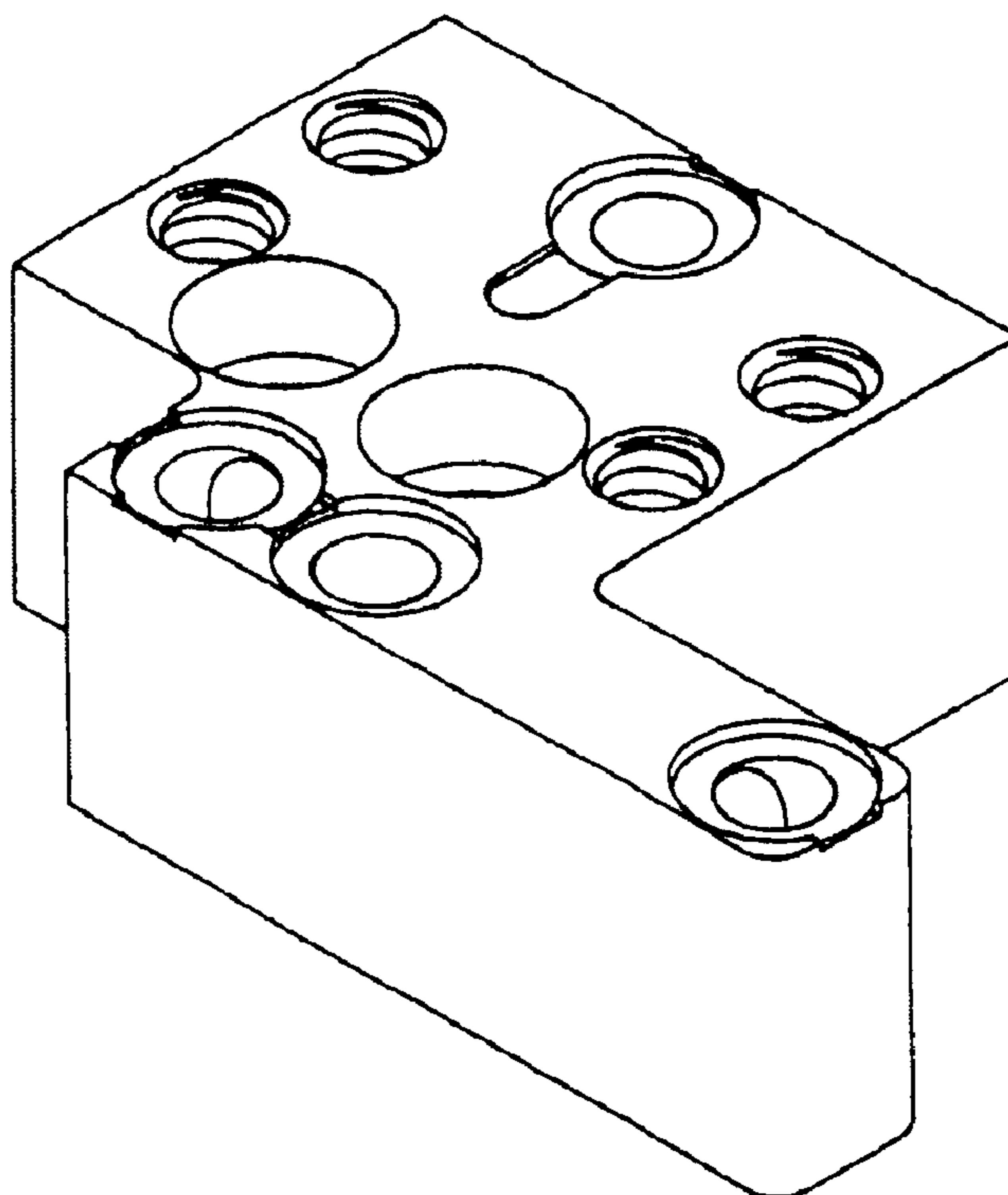


FIG. 1

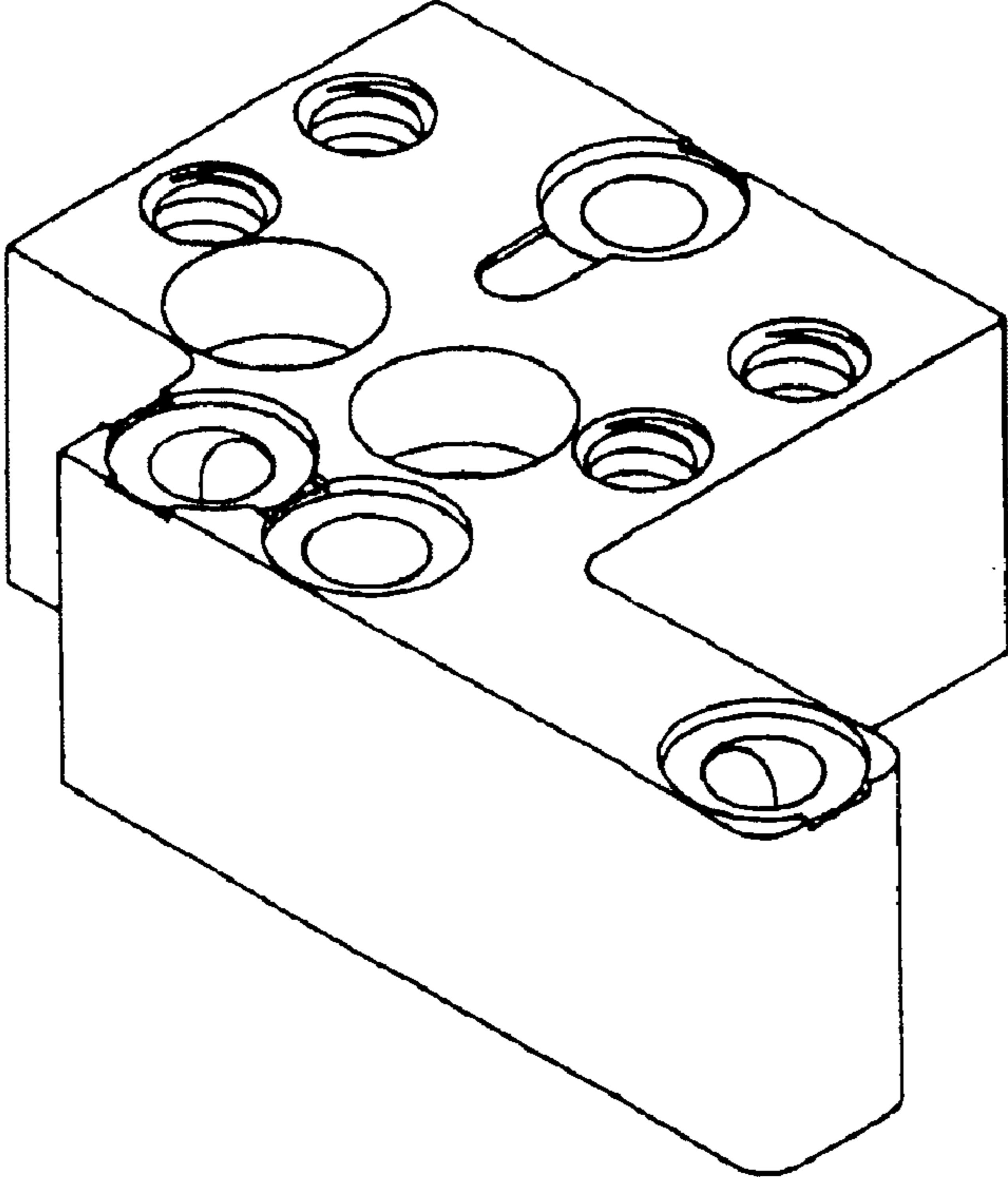


FIG. 2

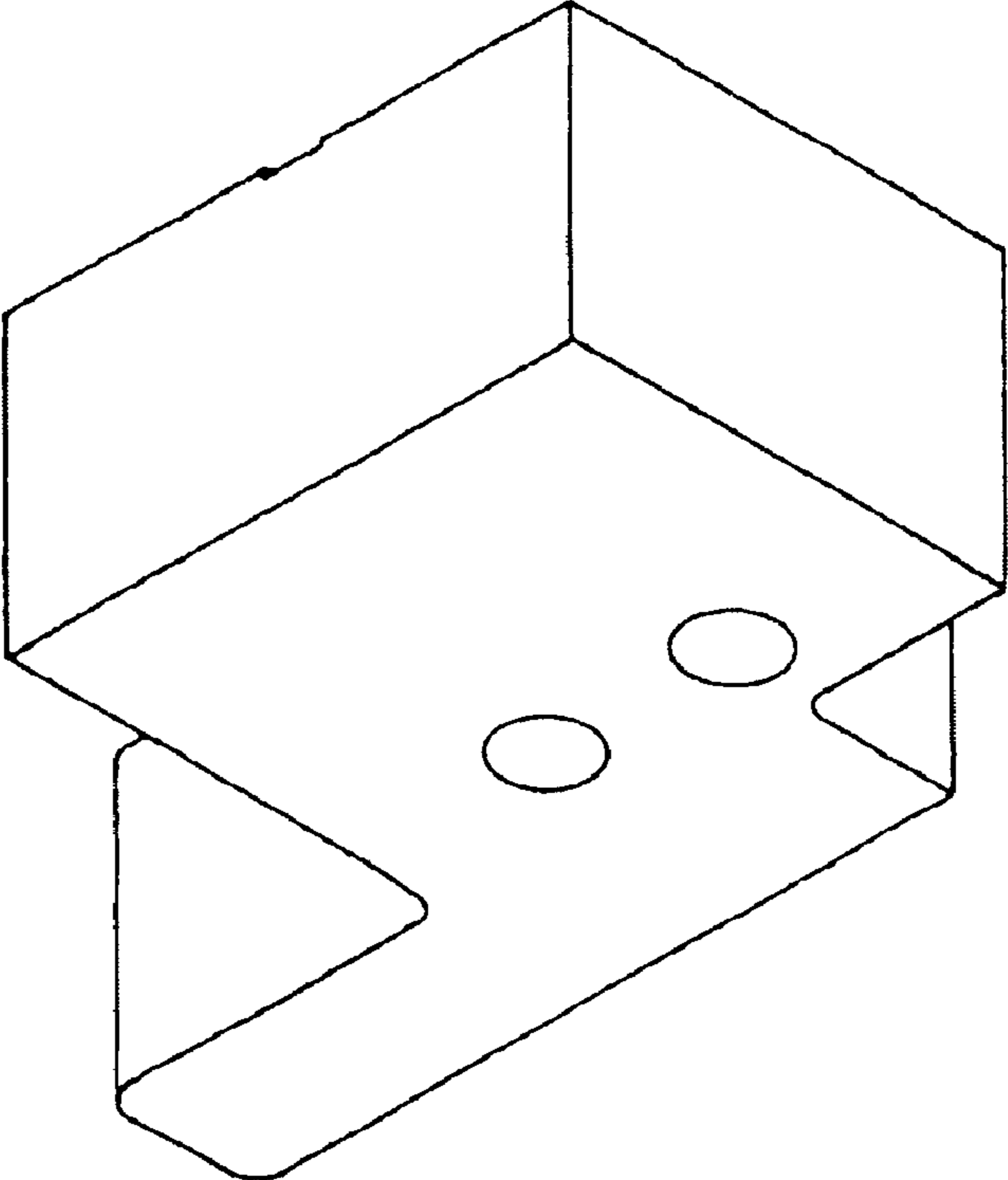


FIG. 3

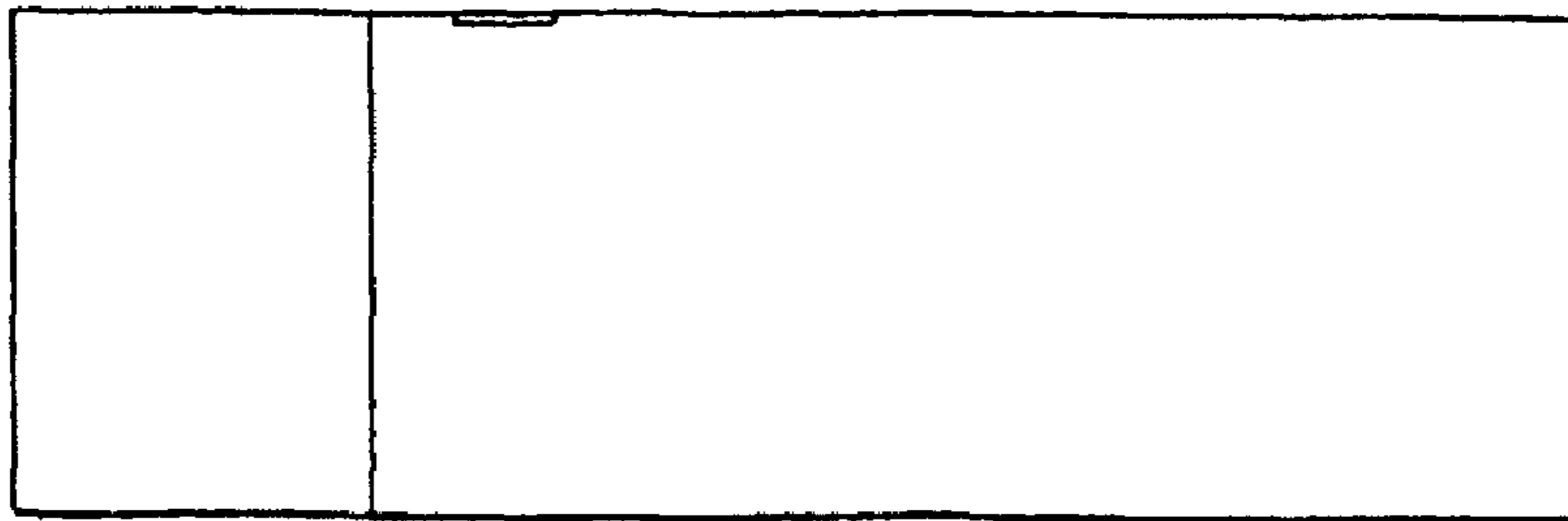


FIG. 4

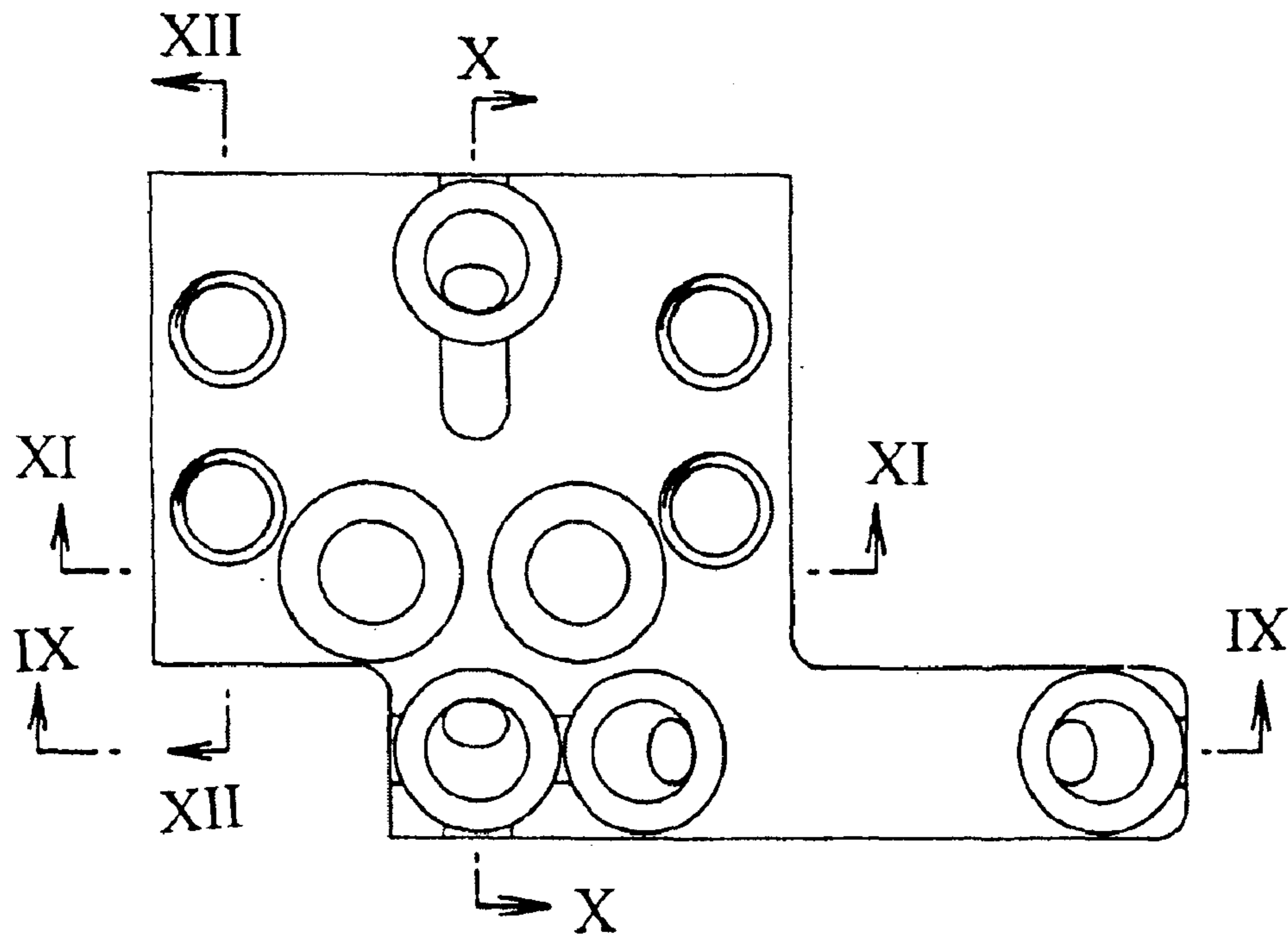


FIG. 5

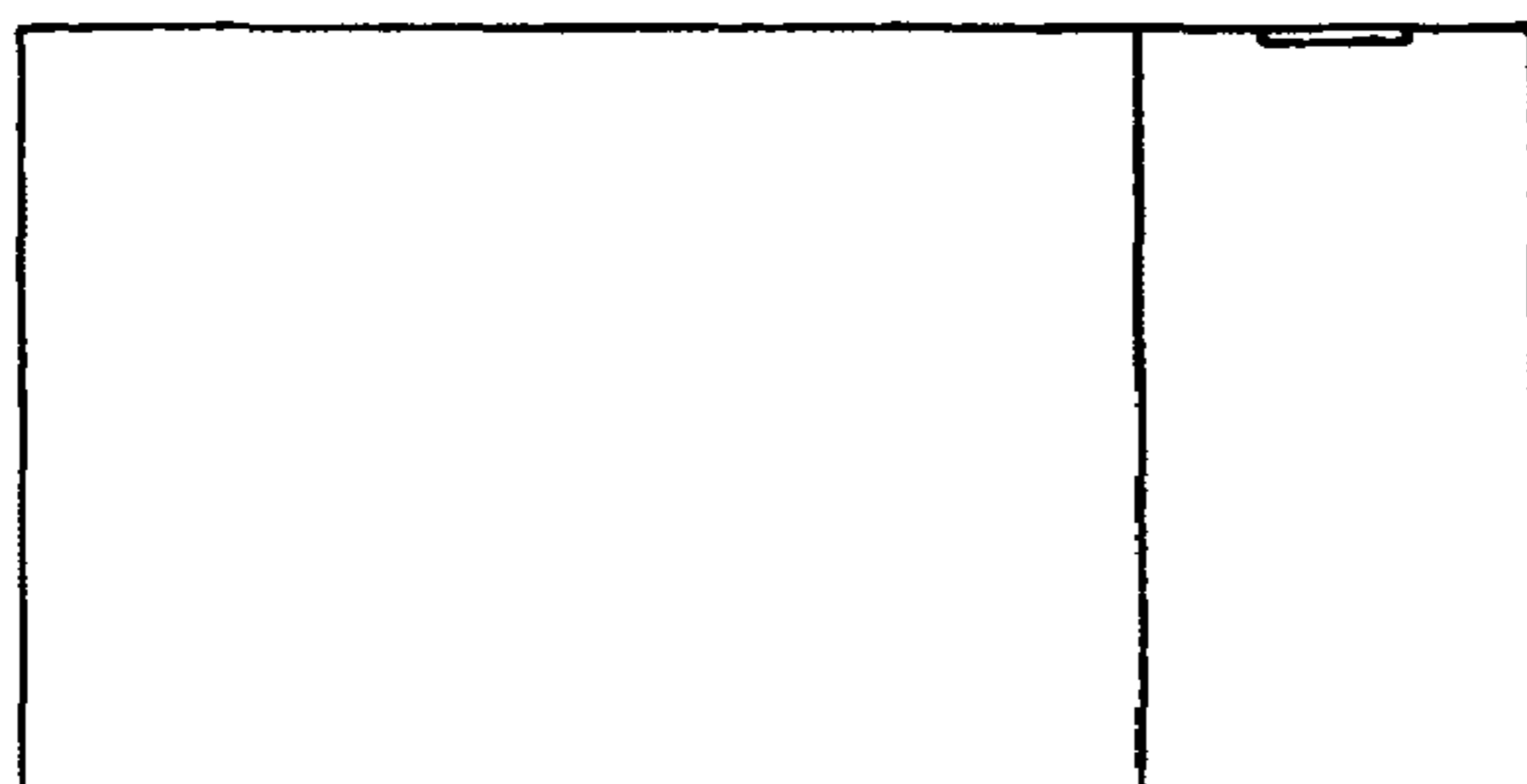


FIG. 6

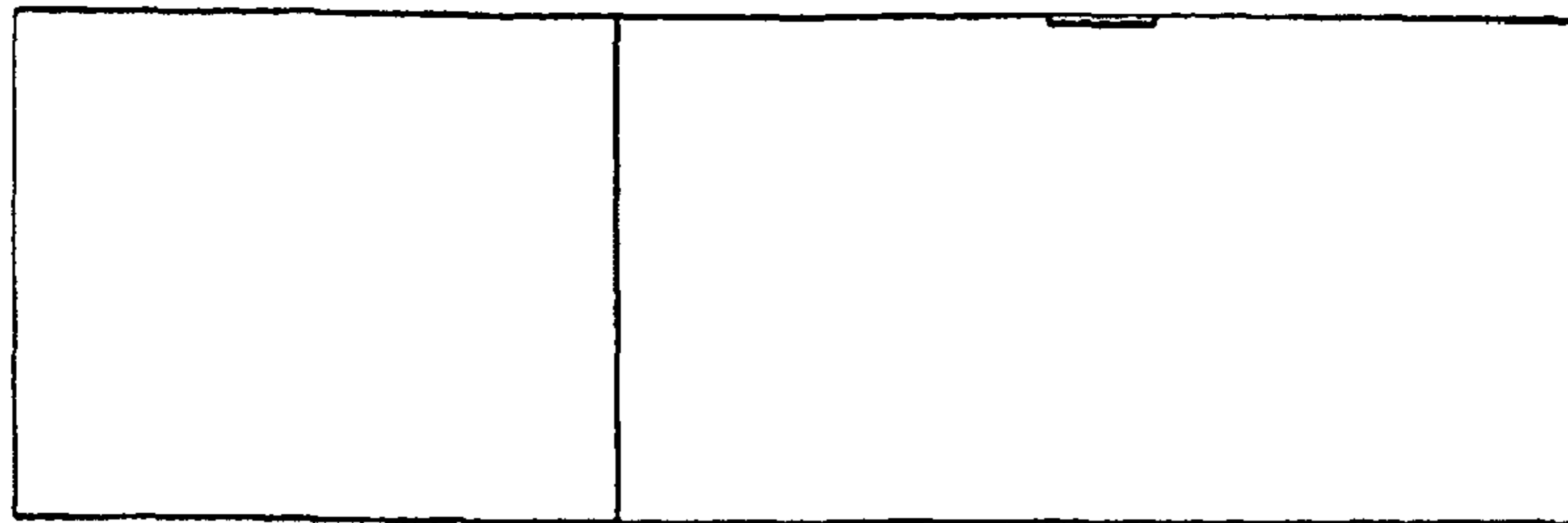


FIG. 7

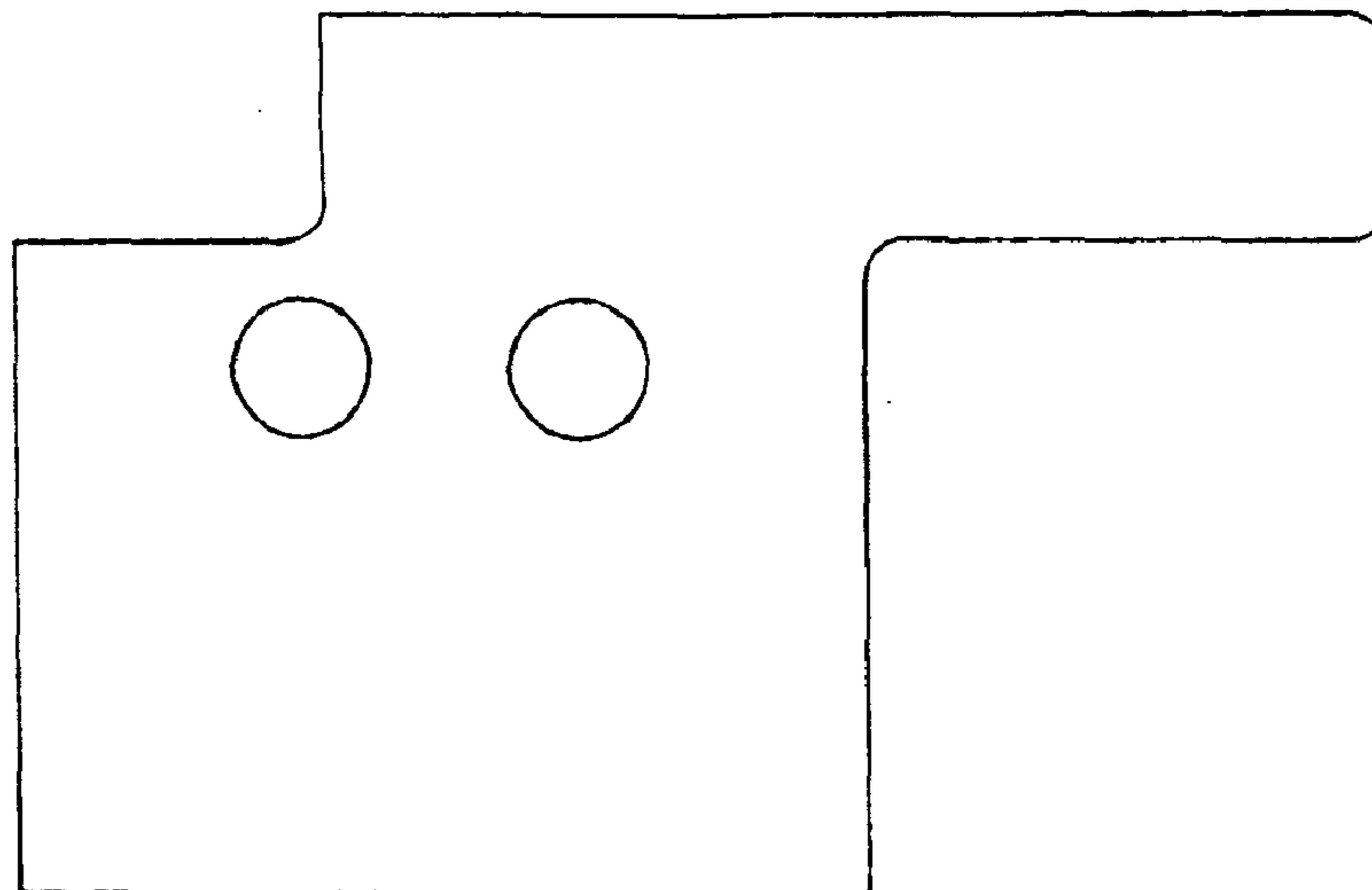


FIG. 8

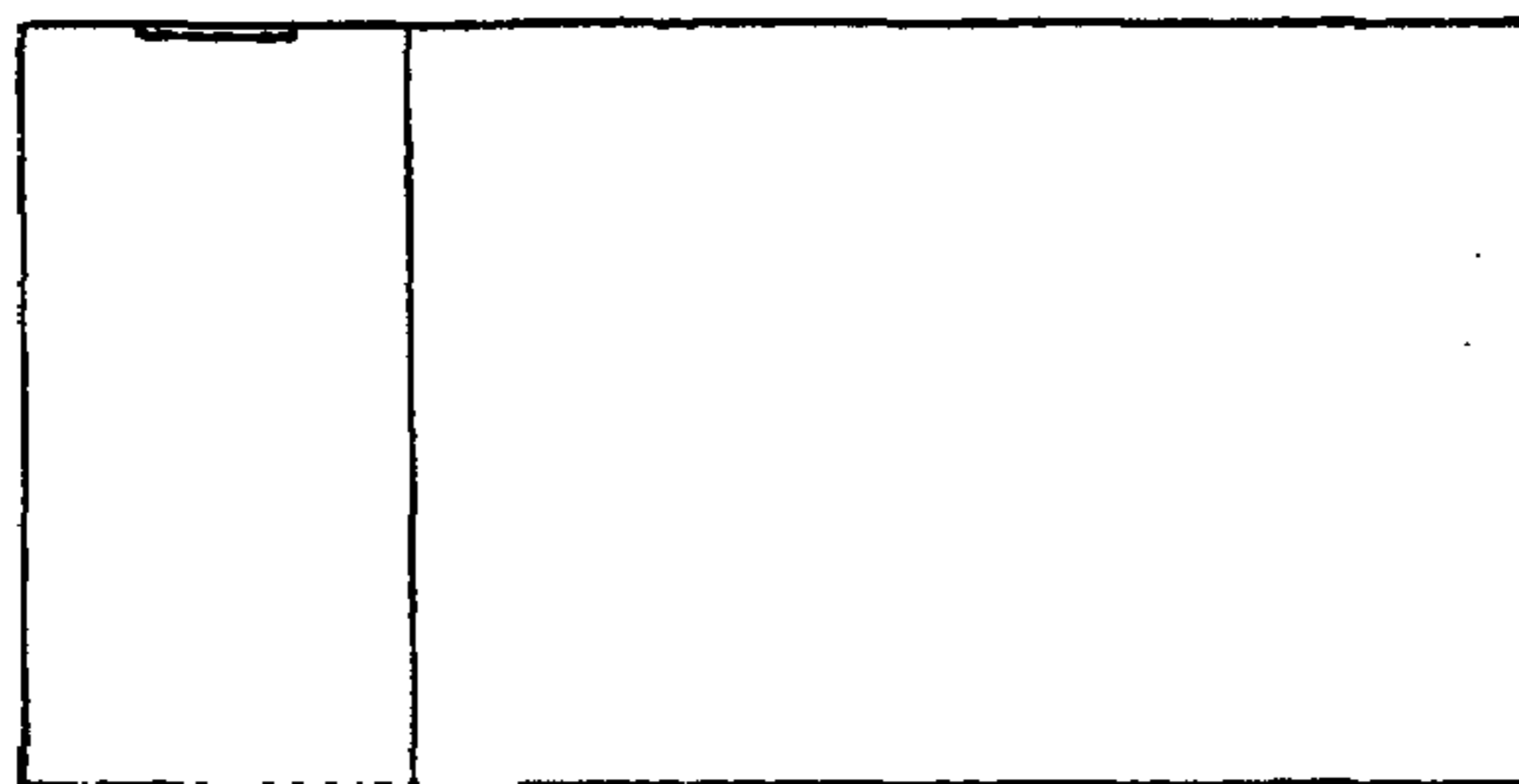


FIG. 9

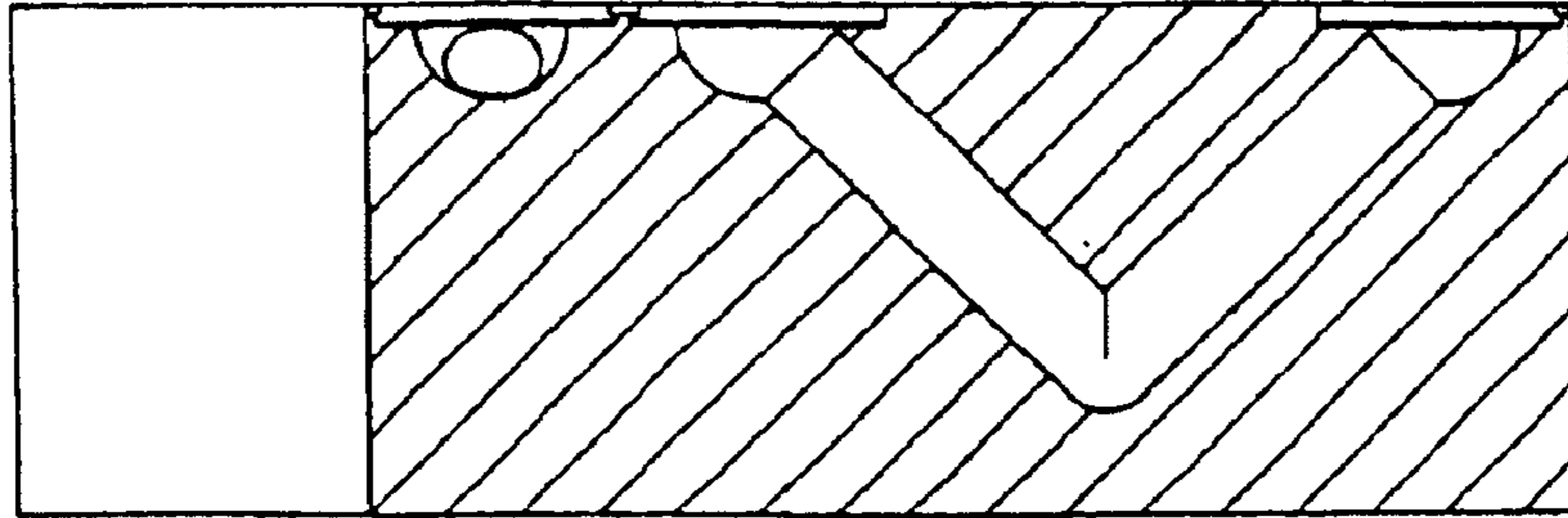


FIG. 10

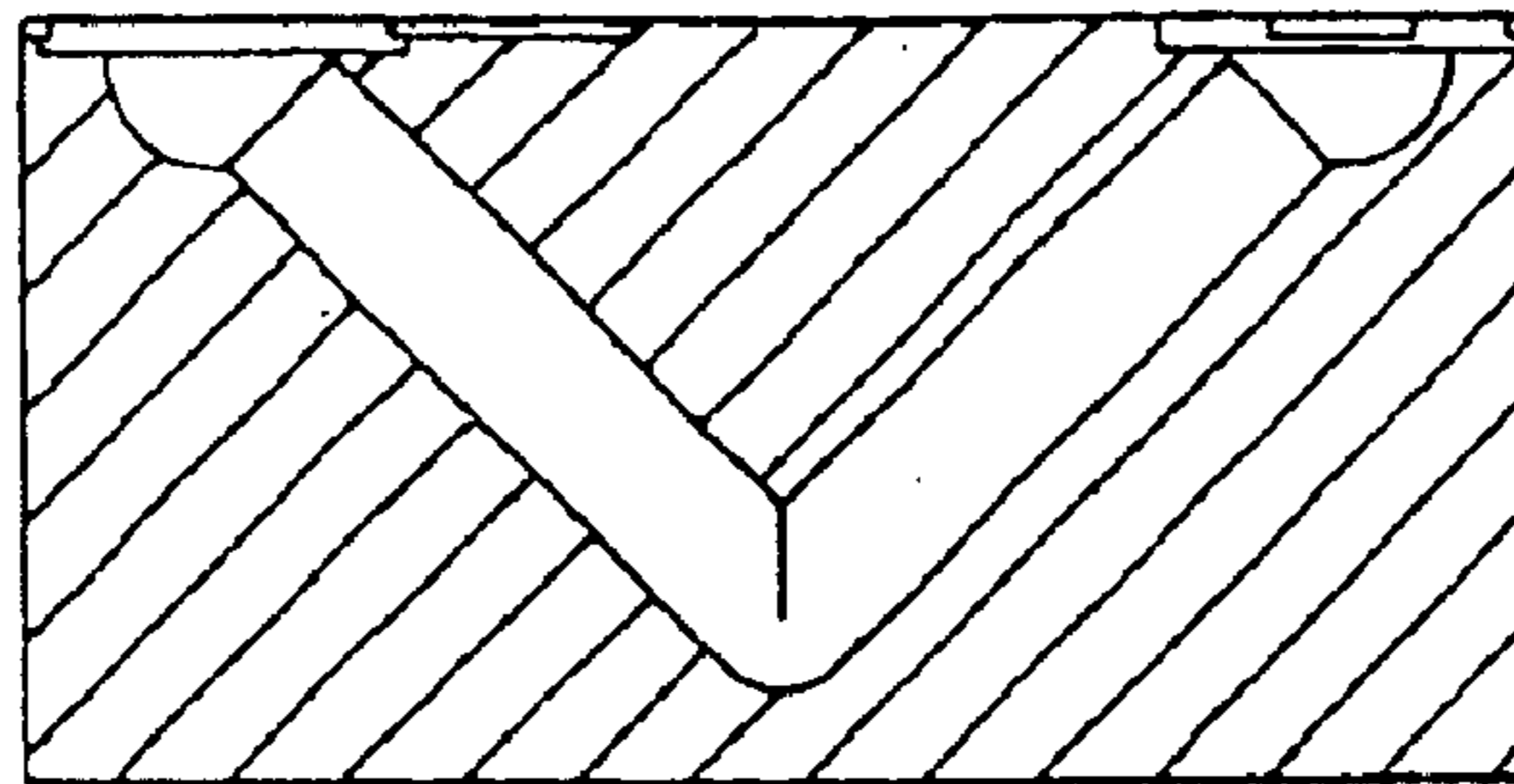


FIG. 11

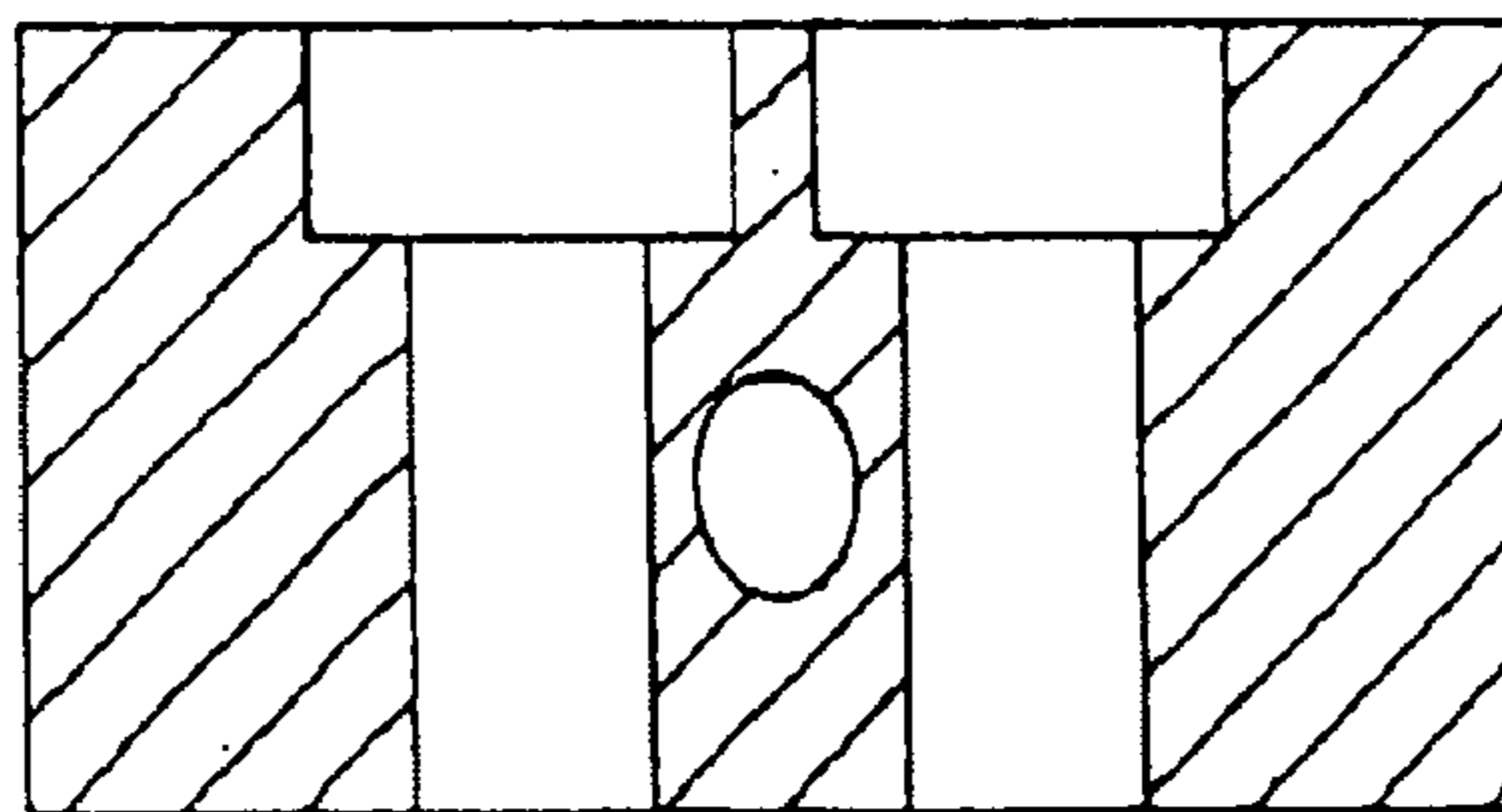


FIG. 12

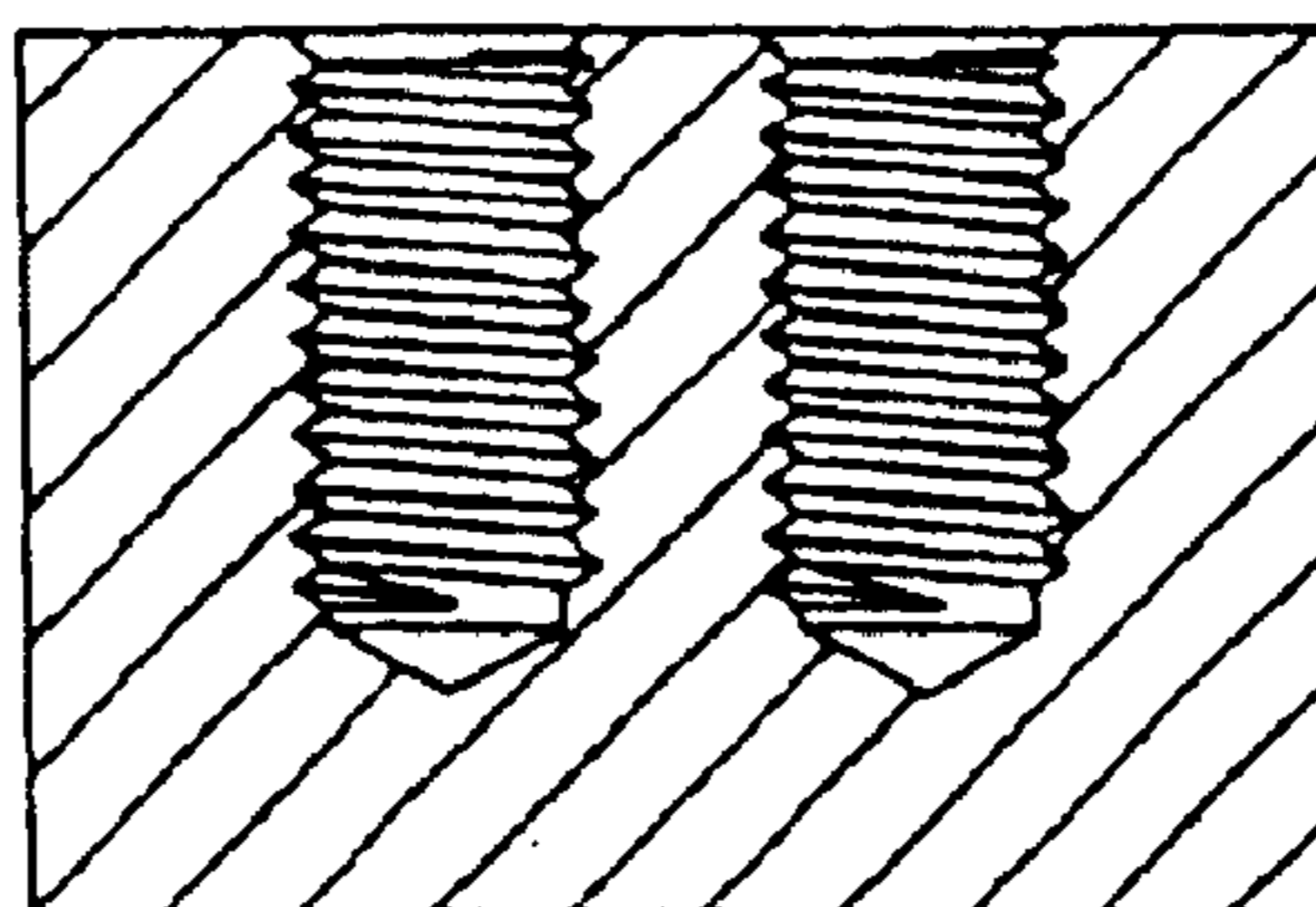


FIG. 13

