

US00D513304S

(12) **United States Design Patent**
Suzuki

(10) **Patent No.:** **US D513,304 S**

(45) **Date of Patent:** **** Dec. 27, 2005**

(54) **COMBINATION OPTIMIZER FILTER AND MANIFOLD**

6,068,770 A 5/2000 Niermeyer et al.
6,120,685 A * 9/2000 Carlson et al. 210/232

(75) Inventor: **Yasuji Suzuki**, Toyko (JP)

* cited by examiner

(73) Assignee: **Mykrolis Corporation**, Billerica, MA (US)

Primary Examiner—Robin V. Taylor
(74) *Attorney, Agent, or Firm*—Hamilton, Brook, Smith & Reynolds, P.C.

(**) Term: **14 Years**

(57) **CLAIM**

(21) Appl. No.: **29/127,333**

The ornamental design for a combination optimizer filter and manifold, as shown and described.

(22) Filed: **Aug. 3, 2000**

DESCRIPTION

(30) **Foreign Application Priority Data**

Feb. 5, 2000 (JP) 2000-005357

(51) **LOC (6) Cl.** **23-01**

(52) **U.S. Cl.** **D23/209**

(58) **Field of Search** D23/209; 210/236,
210/249, 443, 444

FIG. 1 is a top, front and left perspective view of the combination optimizer filter and manifold showing my new design;

FIG. 2 is a bottom, front and left perspective view thereof;

FIG. 3 is a top, rear and right perspective view thereof;

FIG. 4 is a rear, bottom and right perspective view thereof;

FIG. 5 is a rear, bottom and right perspective of the filter holder;

FIG. 6 is a front, top and left perspective view thereof; and,

FIG. 7 is a left side elevational view showing the filter and manifold in unfitted position.

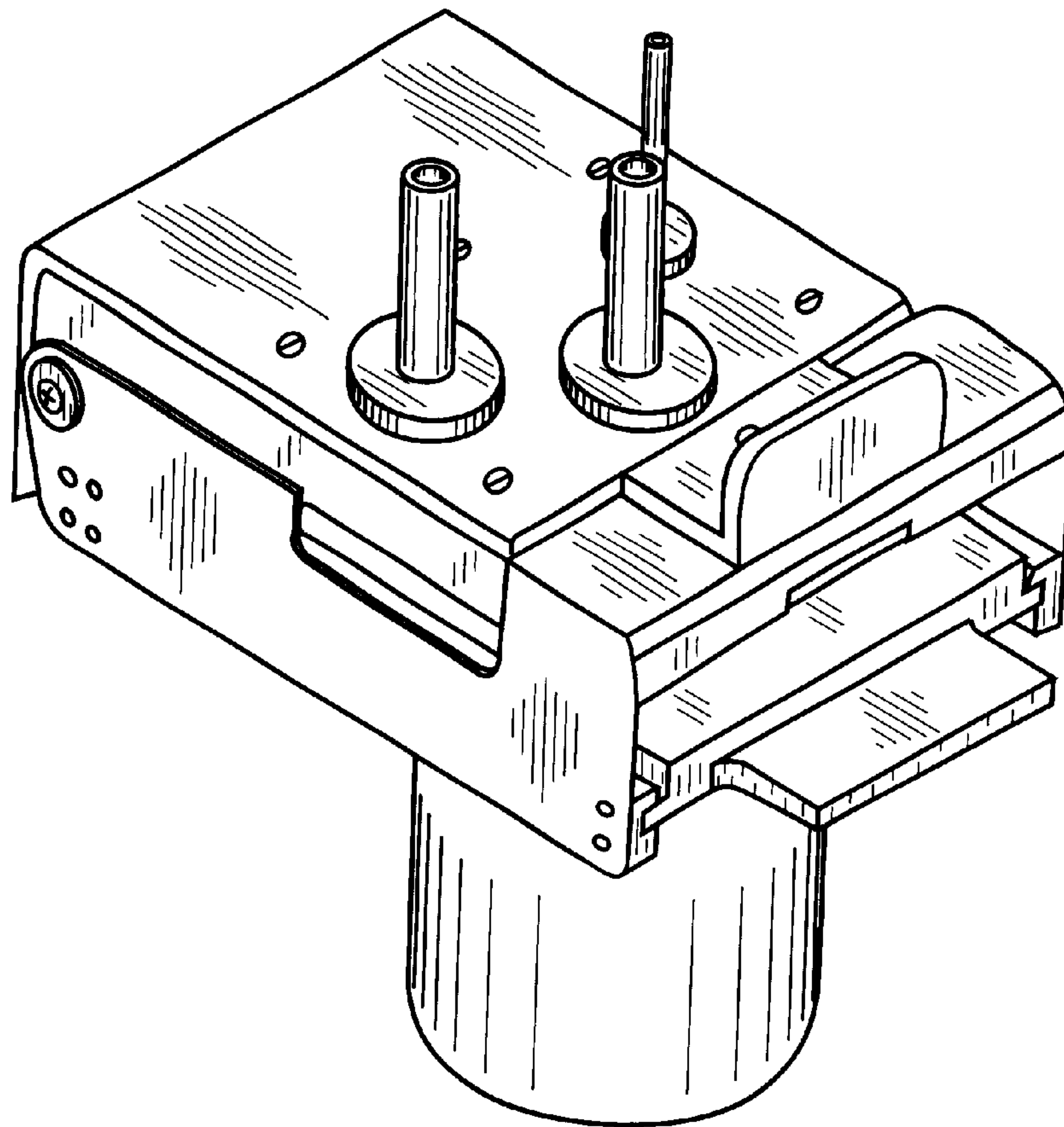
The broken line showing in FIG. 7 is for illustrative purposes only and forms no part of the claimed design.

(56) **References Cited**

U.S. PATENT DOCUMENTS

5,462,675 A 10/1995 Hopkins et al.
5,620,599 A 4/1997 Hopkins et al.
5,925,245 A * 7/1999 Bradford et al. 210/232
5,961,824 A * 10/1999 Caiozza 210/222
D423,081 S 4/2000 Niermeyer

1 Claim, 4 Drawing Sheets



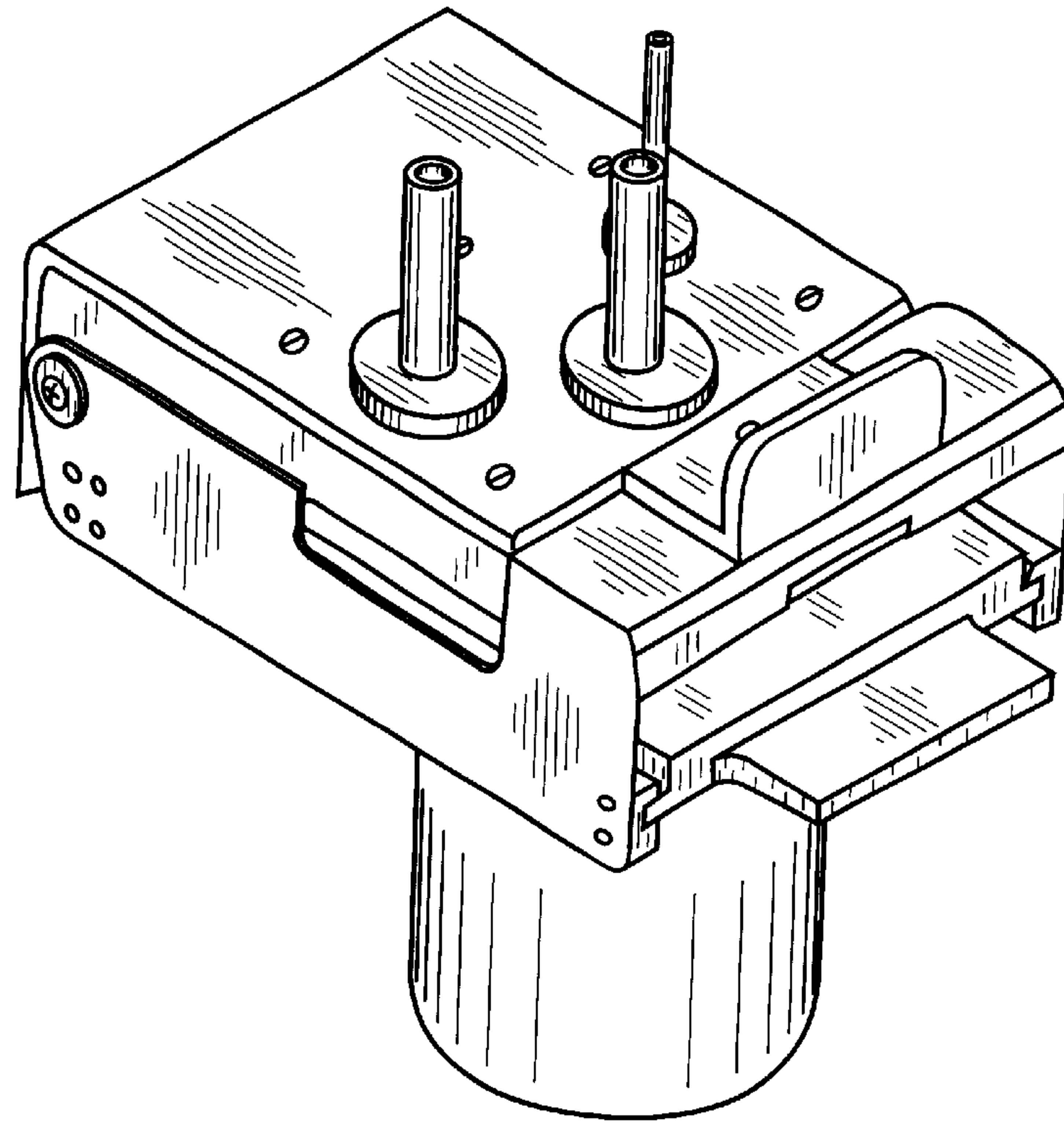


FIG. 1

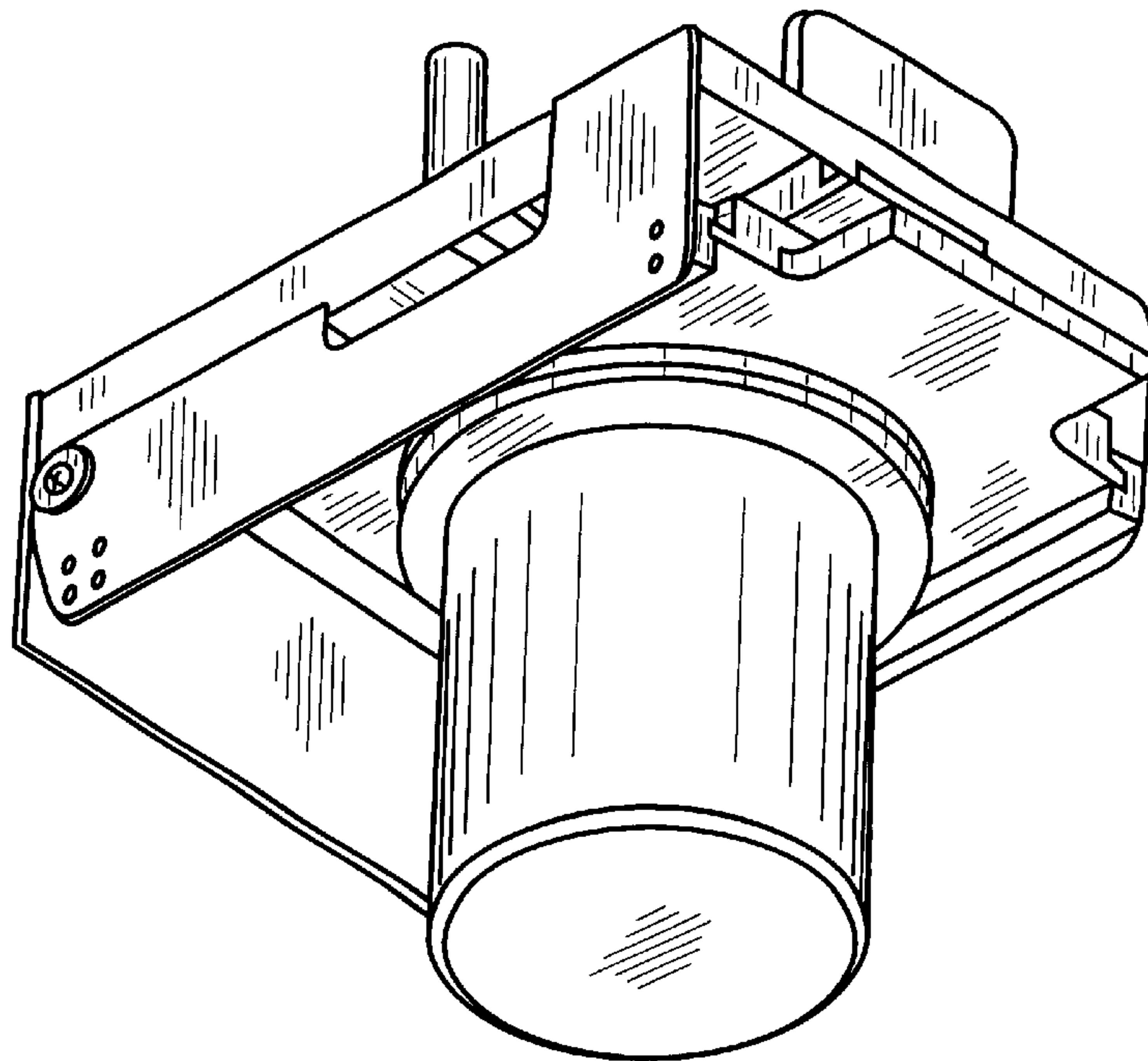


FIG. 2

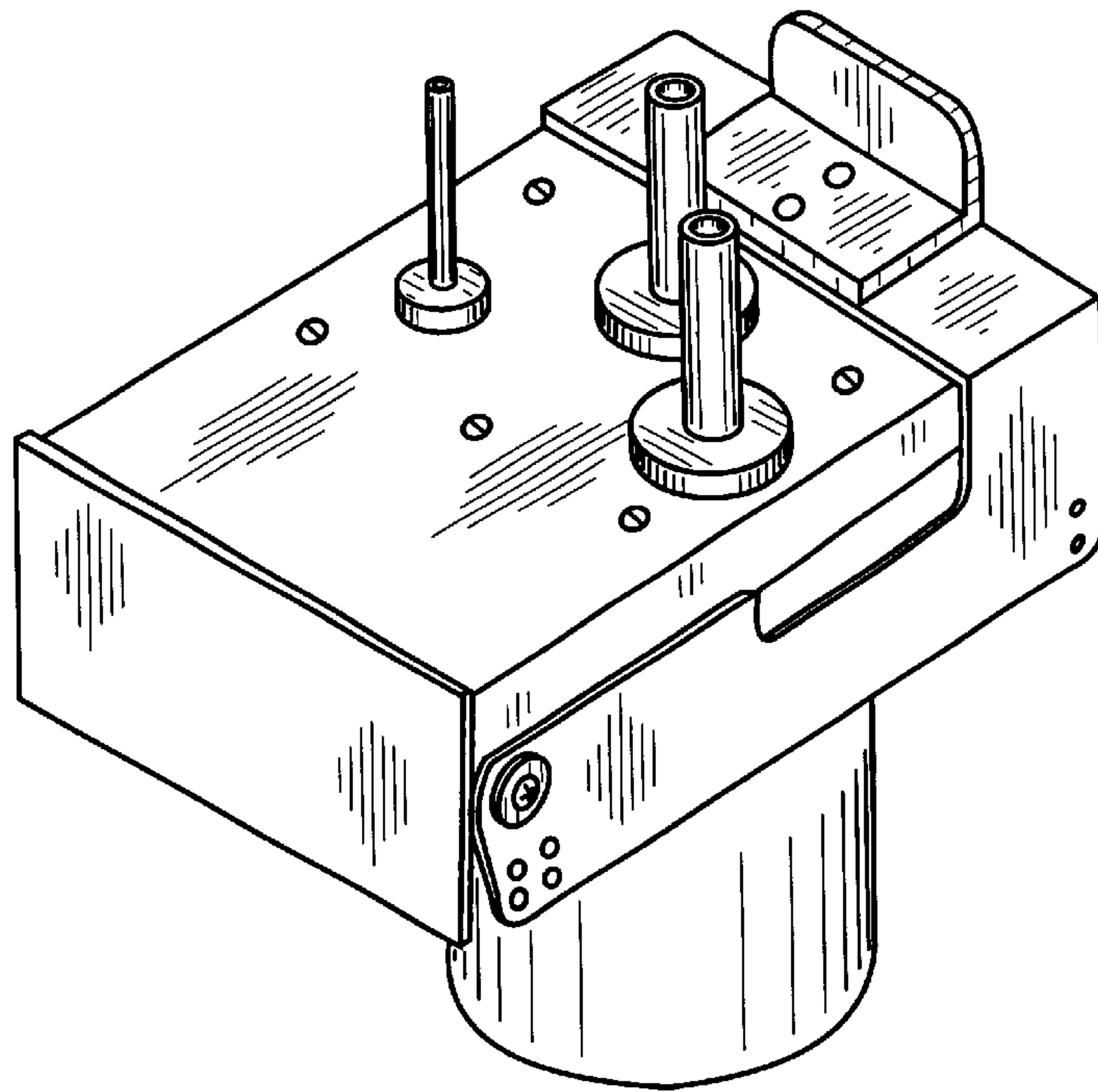


FIG. 3

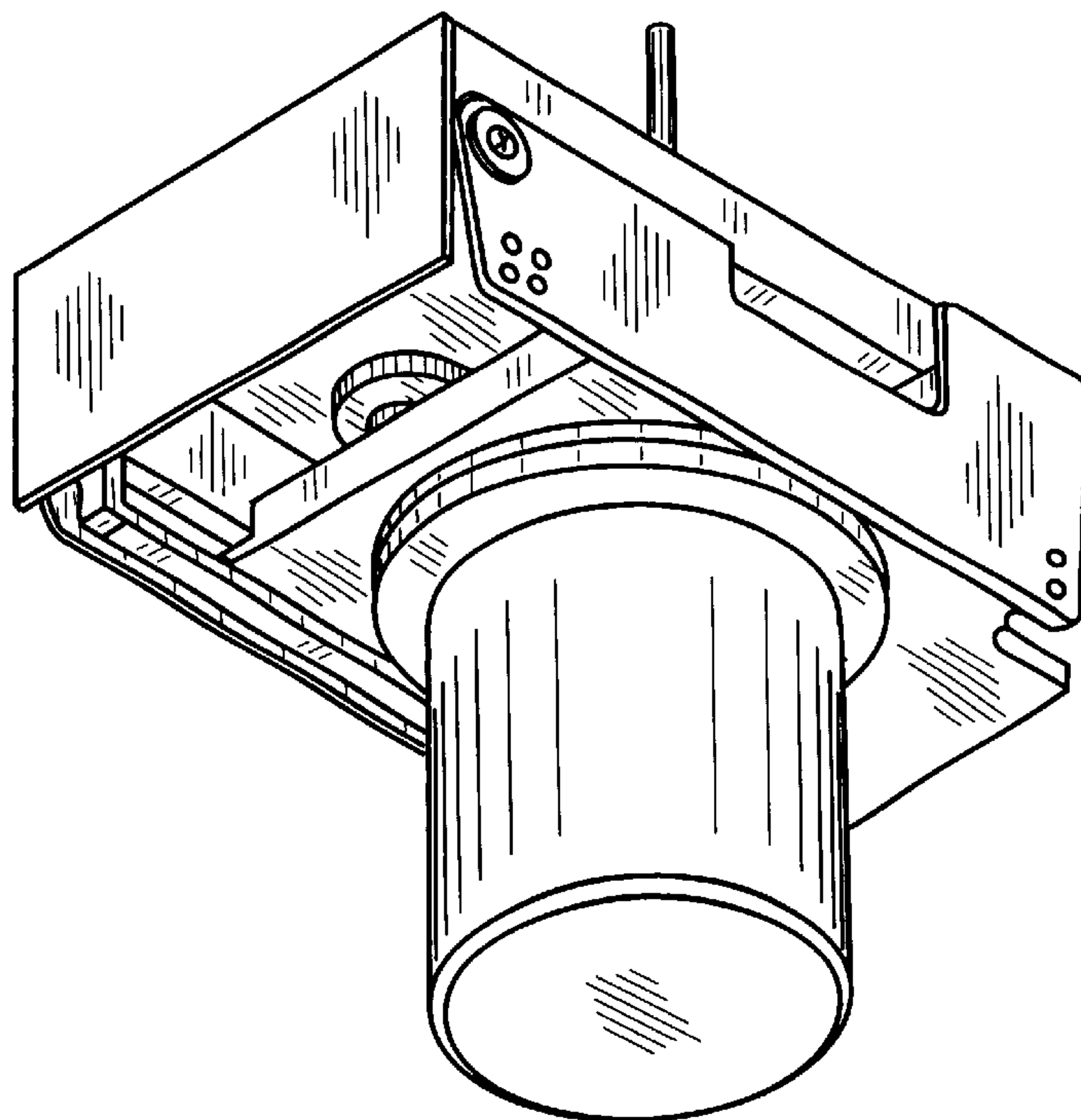


FIG. 4

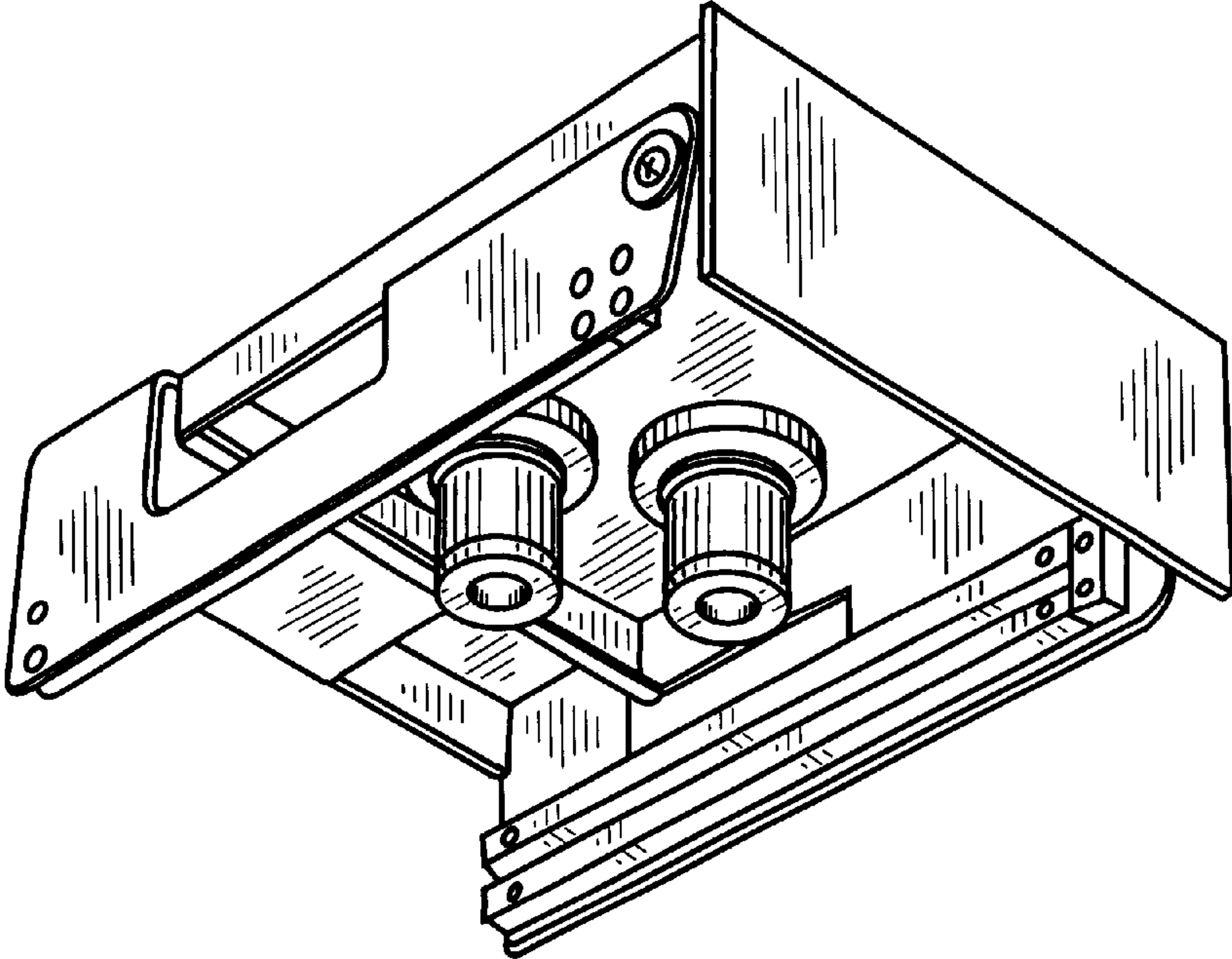


FIG. 5

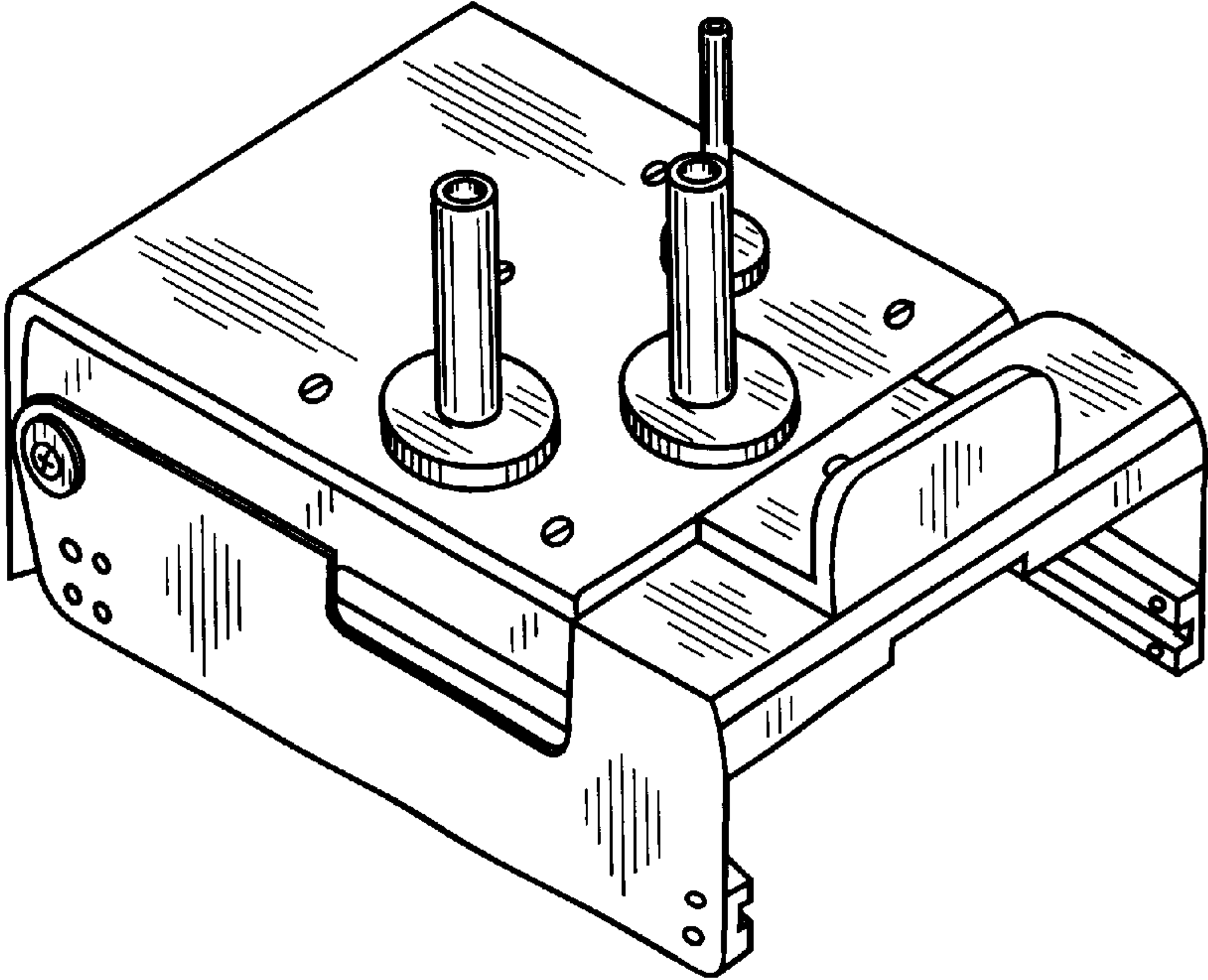


FIG. 6

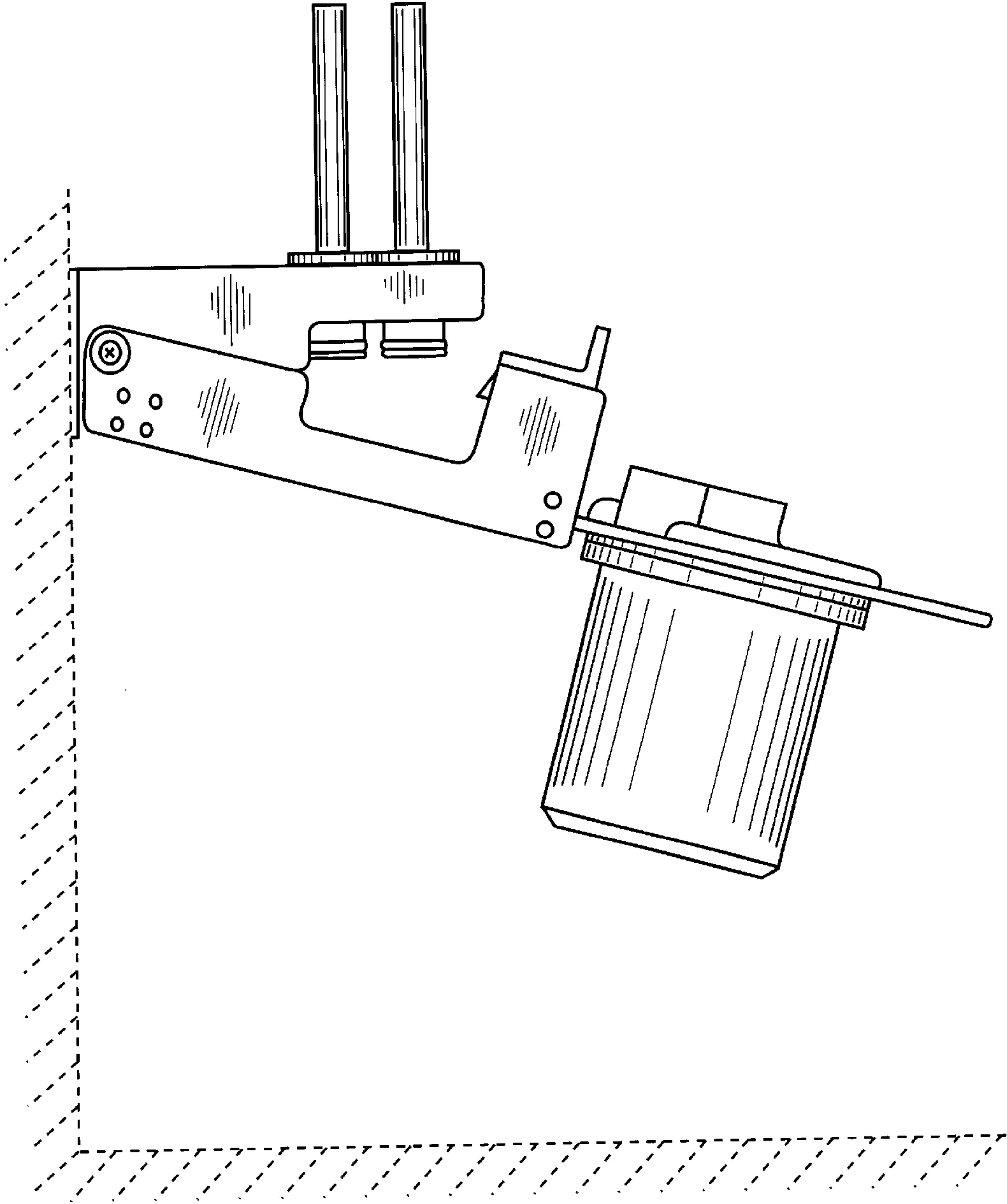


FIG. 7