



US00D513294S

(12) **United States Design Patent**
deGrasse

(10) **Patent No.:** **US D513,294 S**

(45) **Date of Patent:** **** Dec. 27, 2005**

(54) **THREE POSITION BATTING TEE**

(75) **Inventor:** **Scott deGrasse, Marshfield, MA (US)**

(73) **Assignee:** **Franklin Sports, Inc., Stoughton, MA (US)**

(**) **Term:** **14 Years**

(21) **Appl. No.:** **29/228,084**

(22) **Filed:** **Apr. 19, 2005**

(51) **LOC (6) Cl.** **21-02**

(52) **U.S. Cl.** **D21/717**

(58) **Field of Search** D21/698, 715,
D21/717, 719, 780; 473/415-495

(56) **References Cited**

U.S. PATENT DOCUMENTS

3,883,138	A	*	5/1975	Chorey	473/417
5,556,091	A	*	9/1996	Lin	473/417
5,772,536	A	*	6/1998	Wang	473/417
5,928,092	A	*	7/1999	Keeter et al.	473/417
5,967,910	A	*	10/1999	Lin	473/417

D430,243	S	*	8/2000	Alberti et al.	D21/715
D451,566	S	*	12/2001	De Chenne	D21/717
6,413,175	B1	*	7/2002	Mooney, Jr.	473/417
D479,290	S	*	9/2003	DeChenne	D21/717
2005/0130771	A1	*	6/2005	Tsai	473/417

* cited by examiner

Primary Examiner—Catherine Tuttle

(74) *Attorney, Agent, or Firm*—Joseph B Bowman

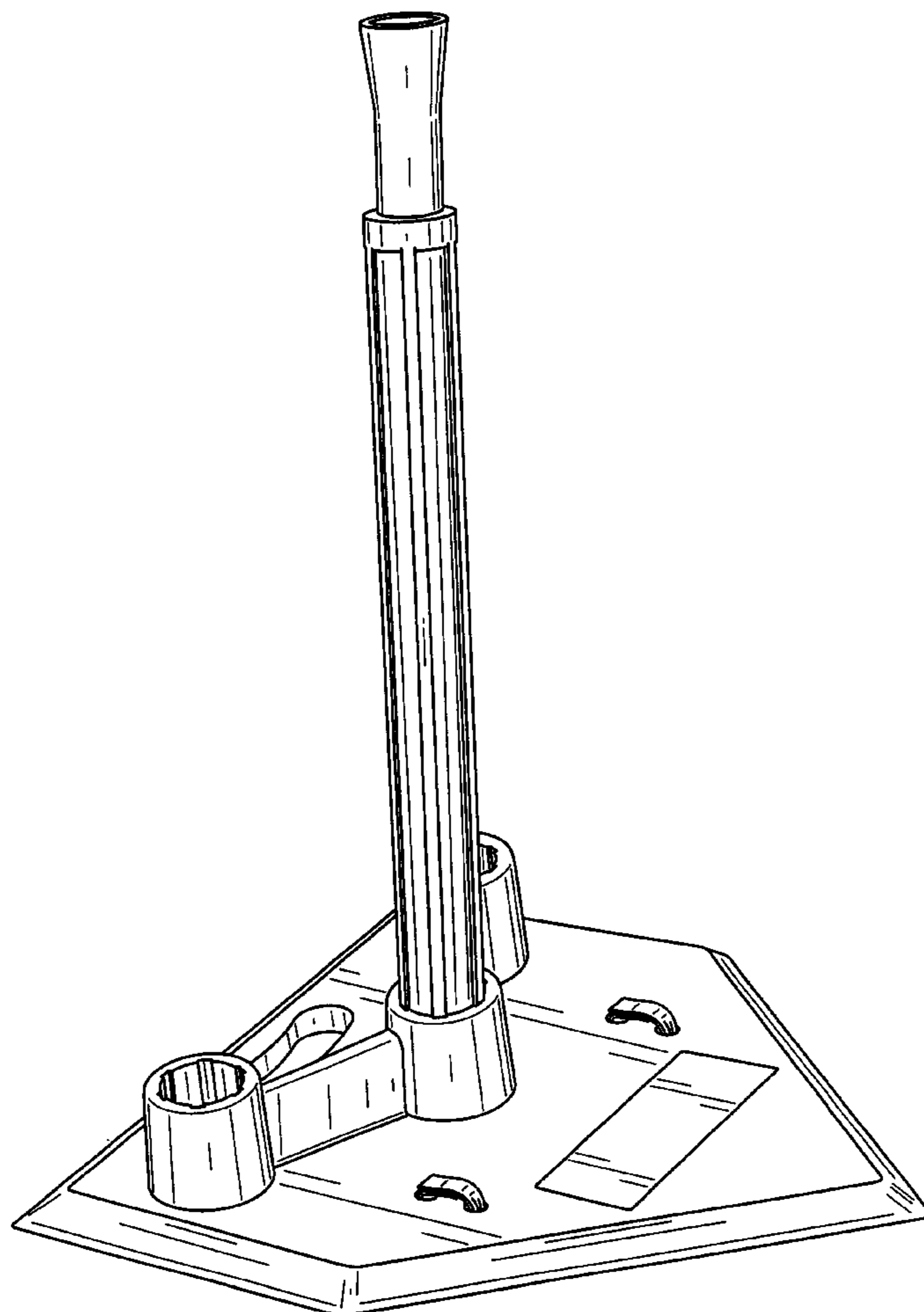
(57) **CLAIM**

The ornamental design for a three position batting tee, as shown and described.

DESCRIPTION

FIG. 1 is a perspective view of a three position batting tee showing my new design;
FIG. 2 is a front elevation view thereof;
FIG. 3 is a rear elevational view thereof;
FIG. 4 is a left side elevation view thereof;
FIG. 5 is a right side elevational view thereof;
FIG. 6 is a top plan view thereof; and,
FIG. 7 is a bottom plan view thereof.

1 Claim, 7 Drawing Sheets



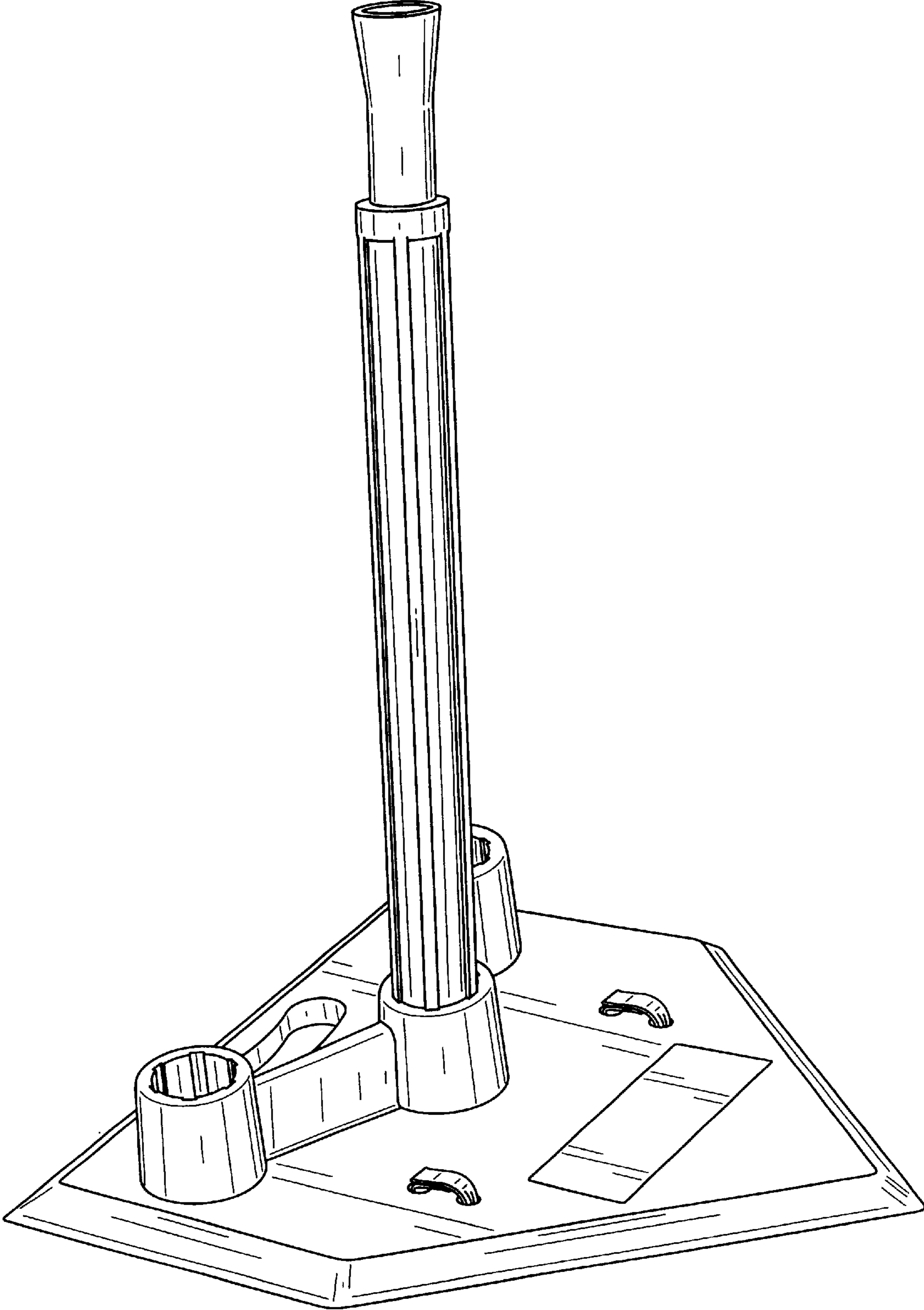


FIG. 1

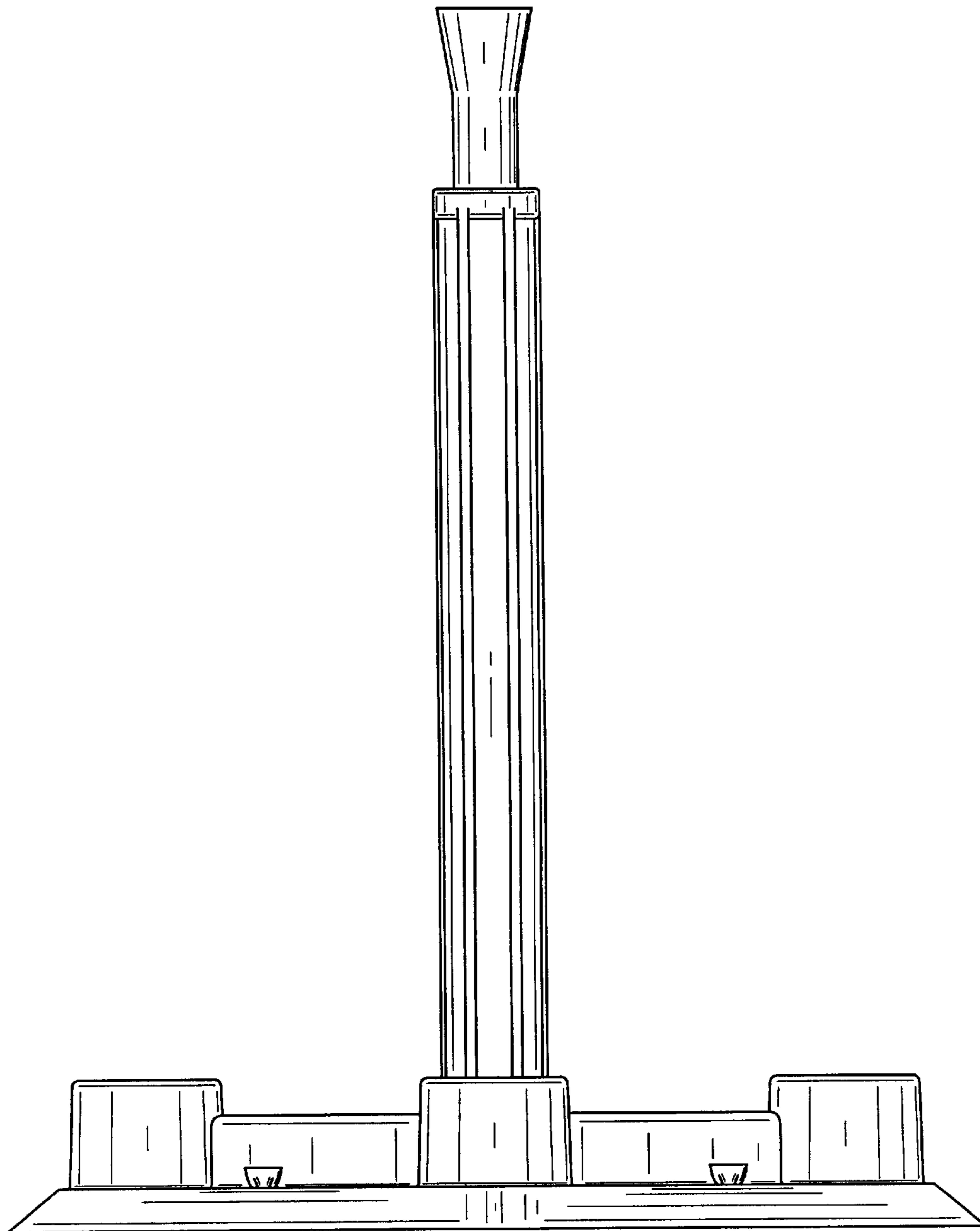


FIG. 2

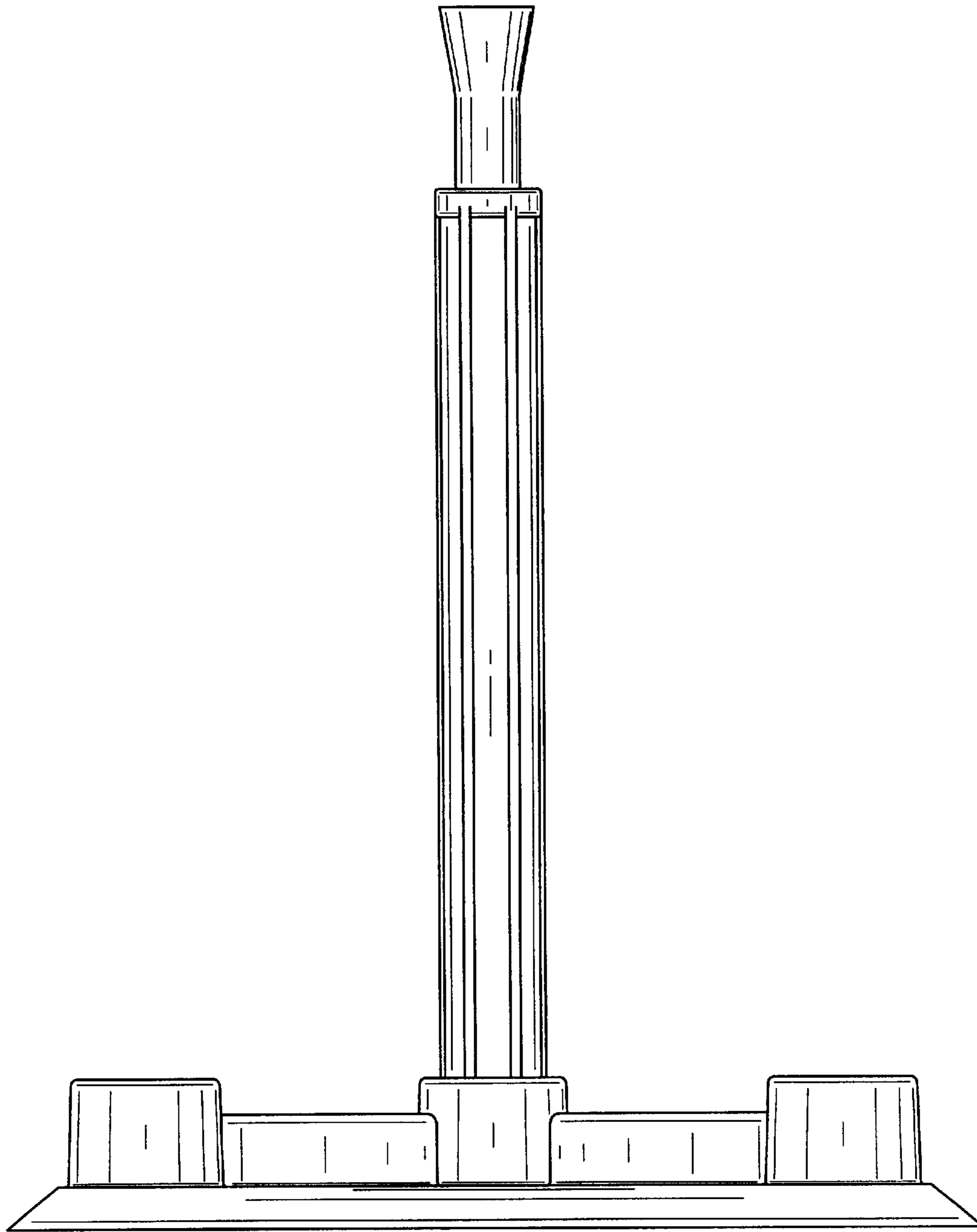


FIG. 3

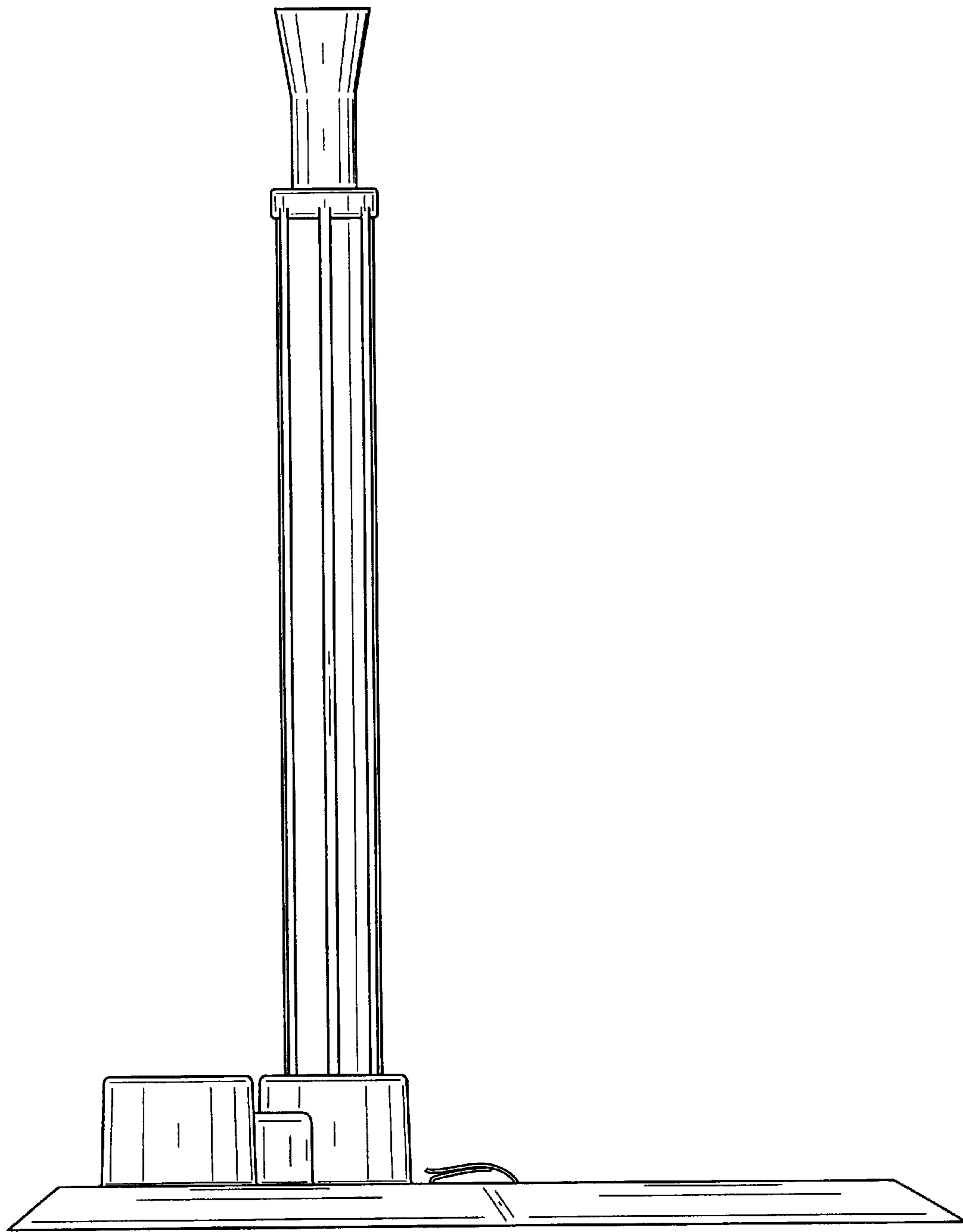


FIG. 4

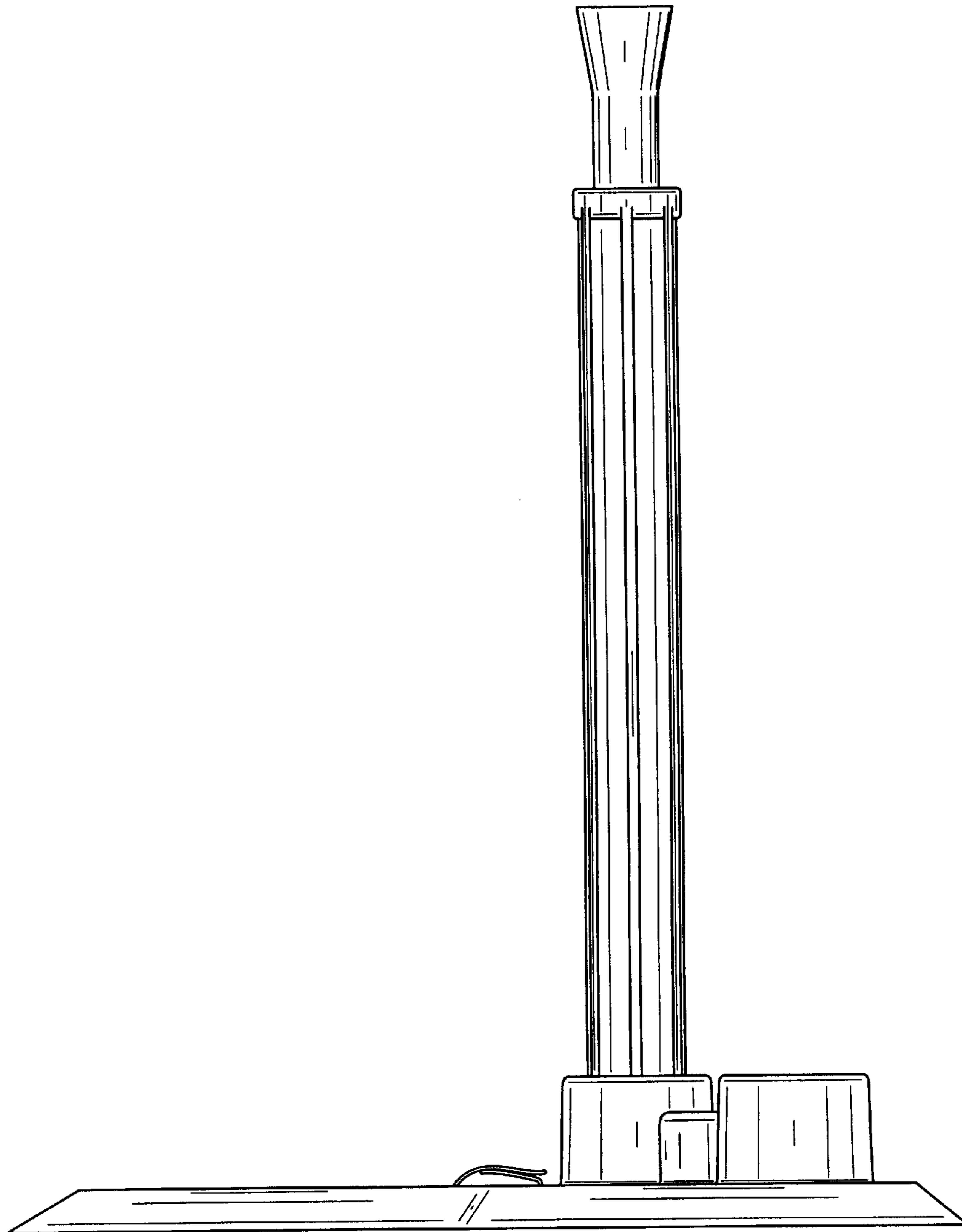


FIG. 5

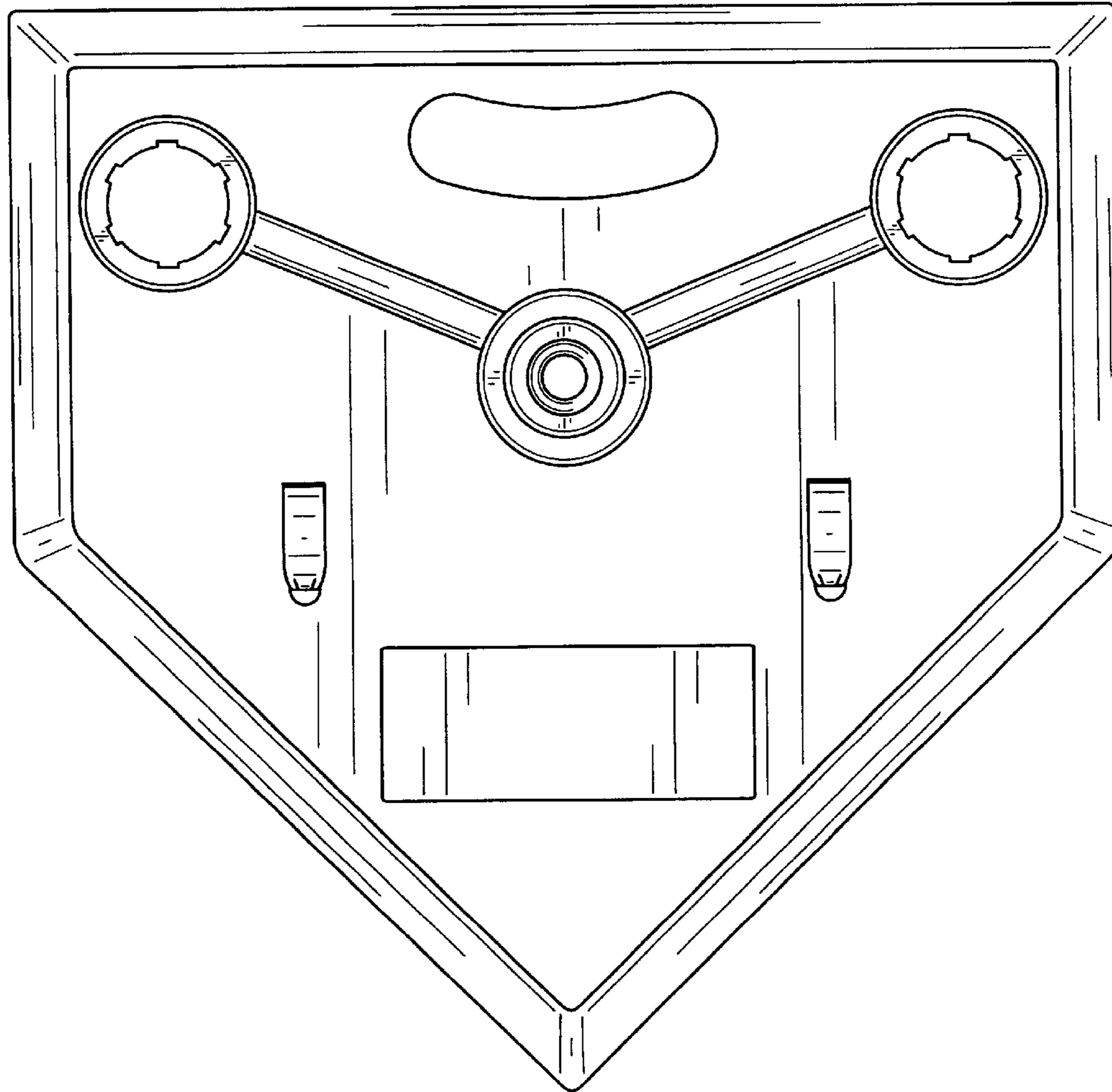


FIG. 6

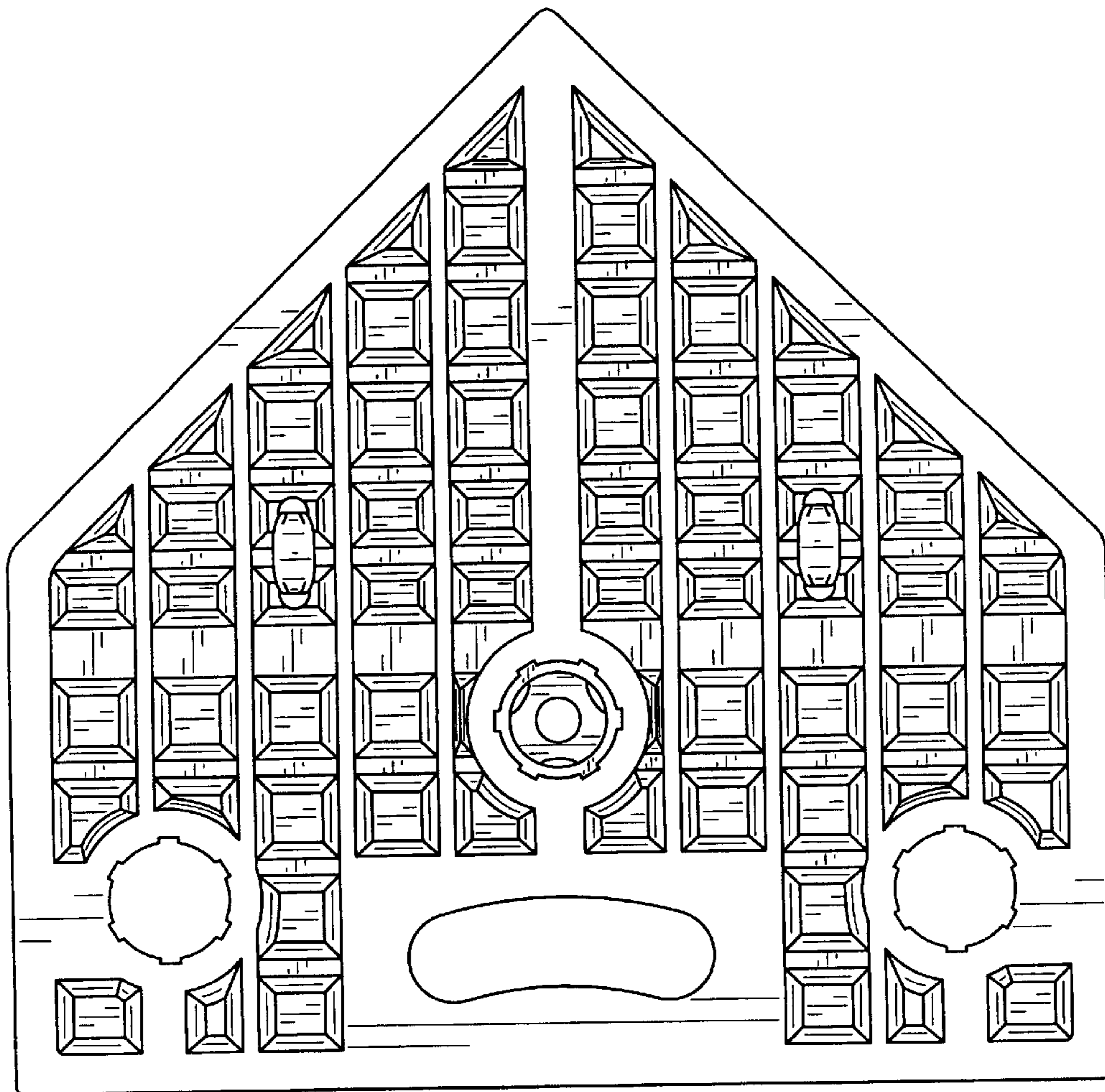


FIG. 7