



US00D513291S

(12) **United States Design Patent**
Panatta

(10) **Patent No.: US D513,291 S**

(45) **Date of Patent: ** Dec. 27, 2005**

(54) **BODY-BUILDING MACHINE**

6,296,596 B1 * 10/2001 Alessandri et al. 482/100
D481,428 S * 10/2003 Giannelli et al. D21/675

(76) Inventor: **Rodolfo Panatta**, Via Madonna della
Fonte, 2, 62021-Apiro MC (IT)

OTHER PUBLICATIONS

Gopher Catalog, Fall 2003, pp. 230 and 240, Power Source
Selectorized Machines.*

(**) Term: **14 Years**

* cited by examiner

(21) Appl. No.: **29/198,030**

Primary Examiner—Philip S. Hyder

(22) Filed: **Jan. 23, 2004**

(74) *Attorney, Agent, or Firm*—Armstrong, Kratz, Quintos,
Hanson & Brooks, LLP

(51) **LOC (6) Cl. 21-02**

(52) **U.S. Cl. D21/676**

(58) **Field of Search D21/662, 673,
D21/674, 675, 676; 482/93, 94, 95, 97,
98, 99, 100, 101, 133, 134, 135, 137, 138**

(57) **CLAIM**

I claim the ornamental design for a body-building machine,
as shown and described.

(56) **References Cited**

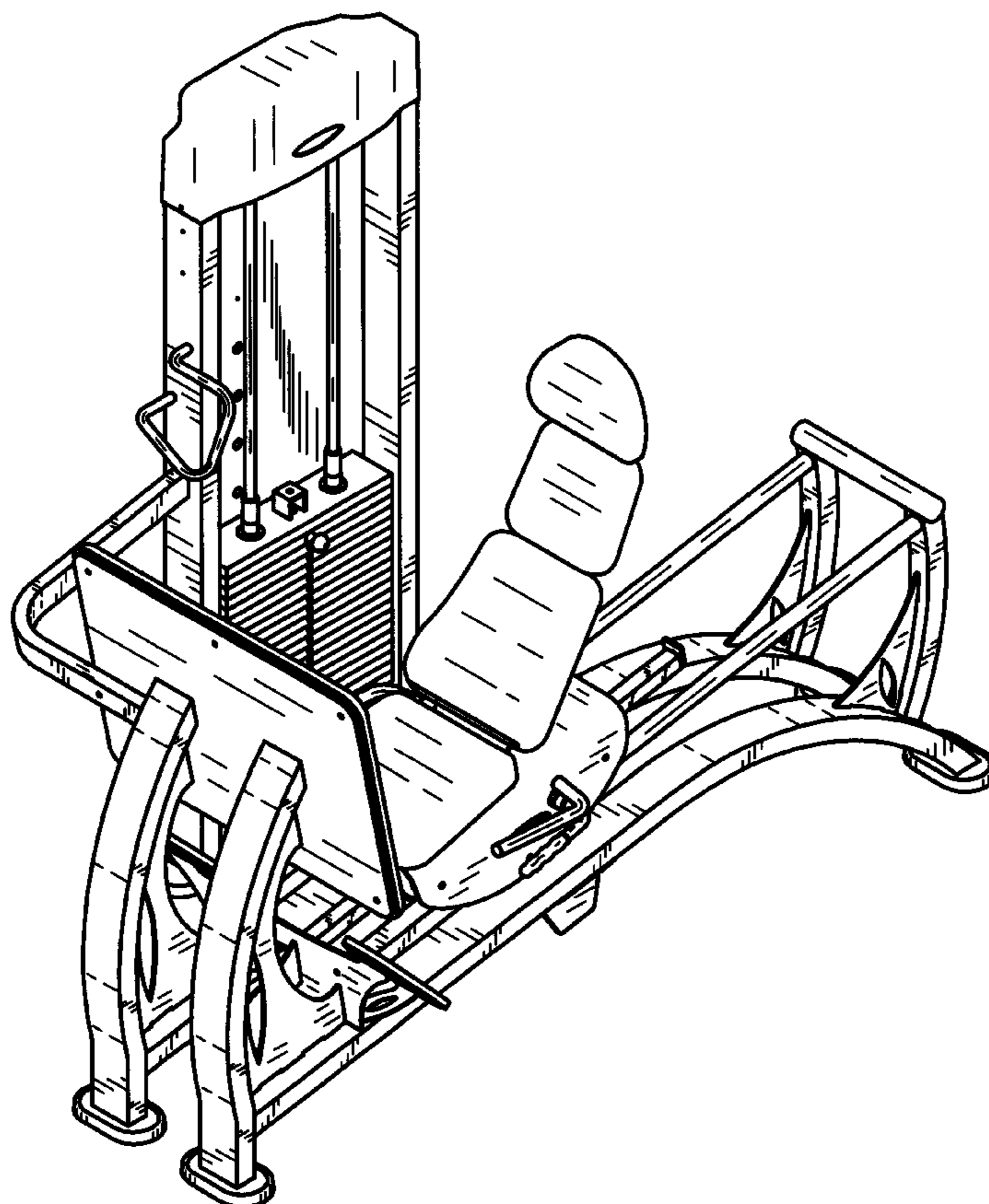
DESCRIPTION

U.S. PATENT DOCUMENTS

4,511,137 A	*	4/1985	Jones	482/100
5,217,422 A	*	6/1993	Domzalski	482/100
5,366,432 A	*	11/1994	Habing et al.	482/138
D355,684 S	*	2/1995	Rawls et al.	D21/676
D357,288 S	*	4/1995	Yang	D21/676
5,616,107 A	*	4/1997	Simonson	482/97
5,628,715 A	*	5/1997	Simonson	482/97
5,833,535 A	*	11/1998	Williams	482/100
D431,615 S	*	10/2000	Webber et al.	D21/675
D438,918 S	*	3/2001	Batca et al.	D21/676

FIG. 1 is a front elevational view thereof.
FIG. 2 is a right side elevational view thereof.
FIG. 3 is a left side elevational view thereof.
FIG. 4 is a top plan elevational view thereof.
FIG. 5 is a bottom plan elevational view thereof.
FIG. 6 is a rear elevational view thereof; and,
FIG. 7 is a right perspective view of a body-building
machine.

1 Claim, 7 Drawing Sheets



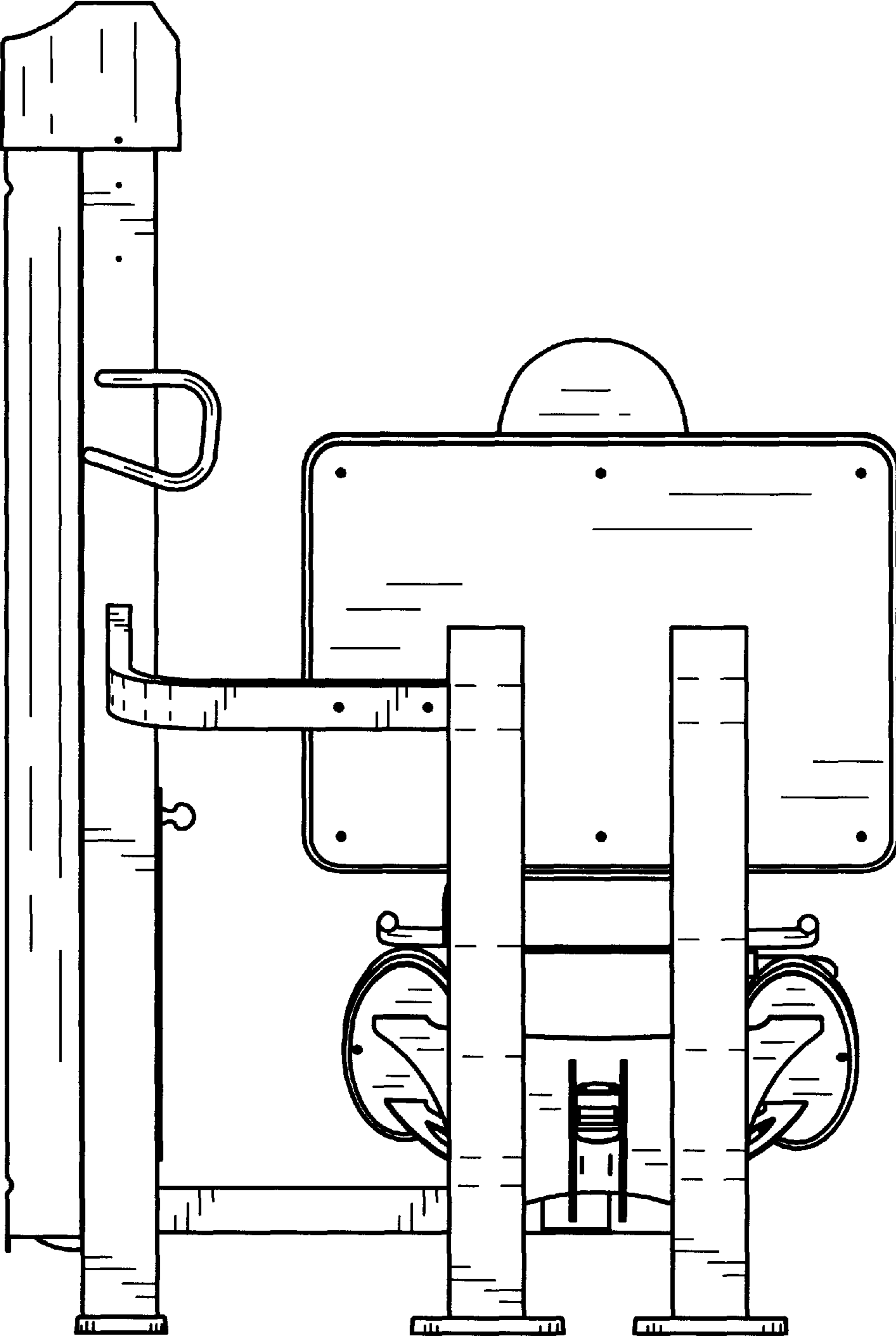


FIG. 1

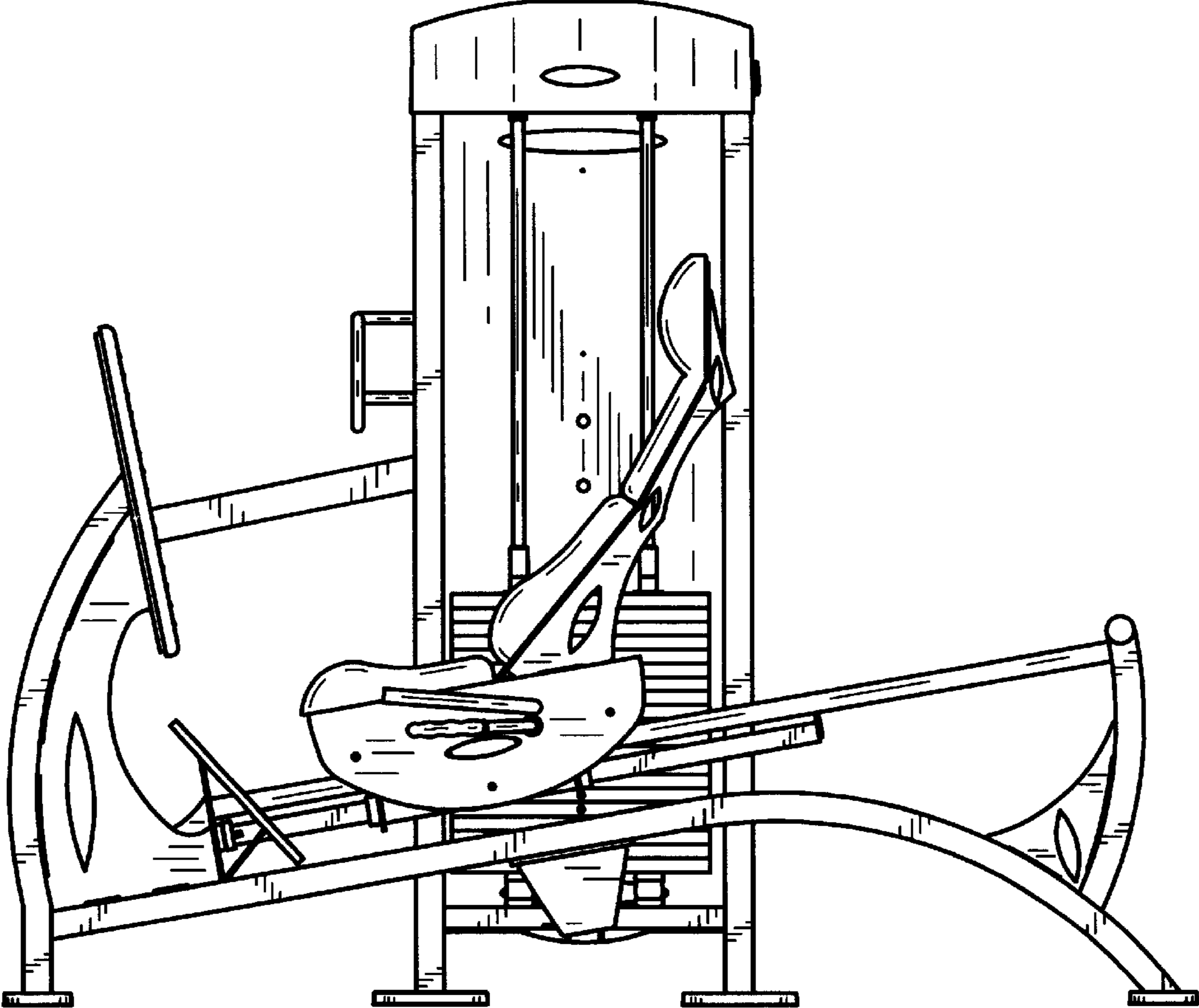


FIG. 2

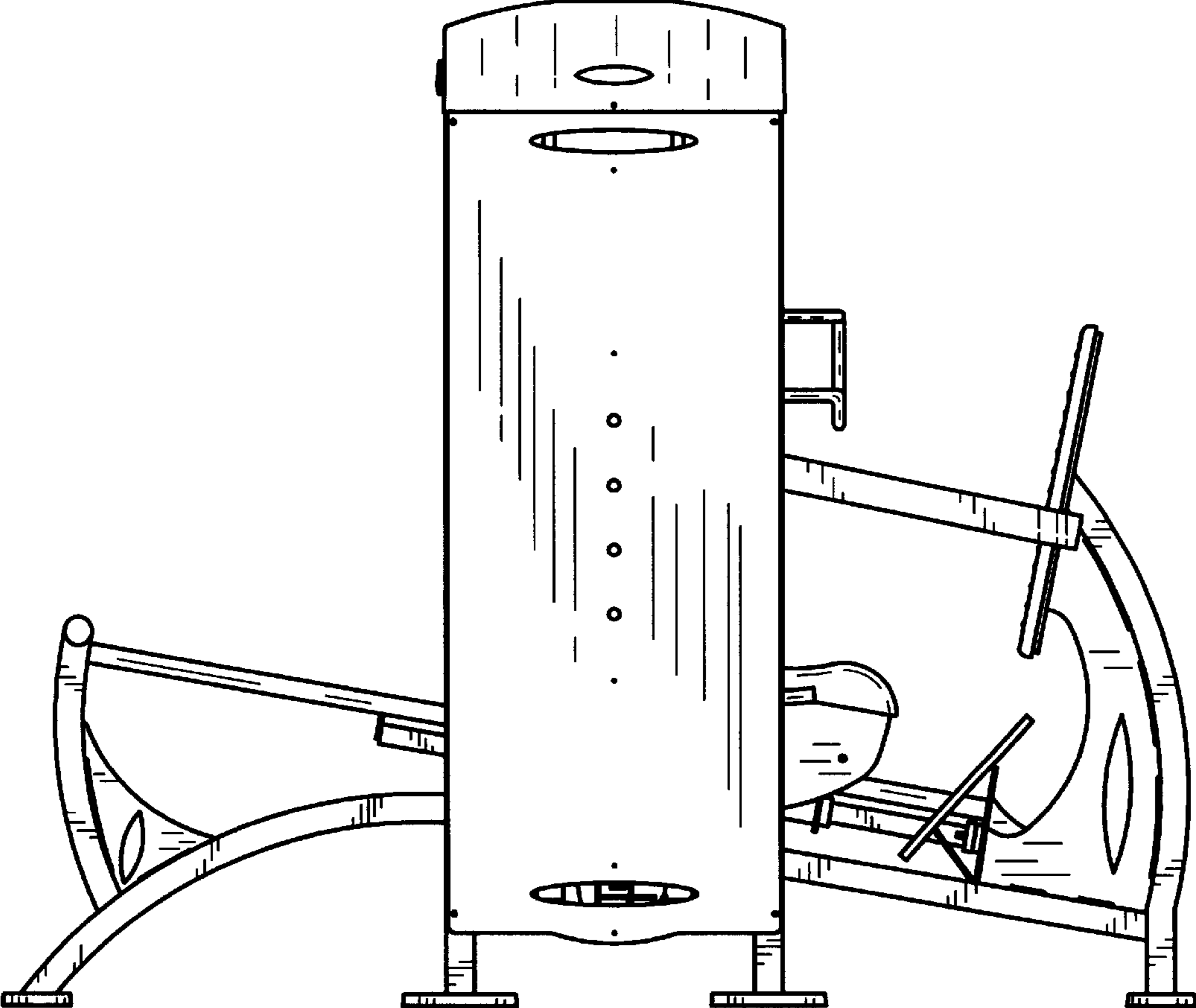


FIG. 3

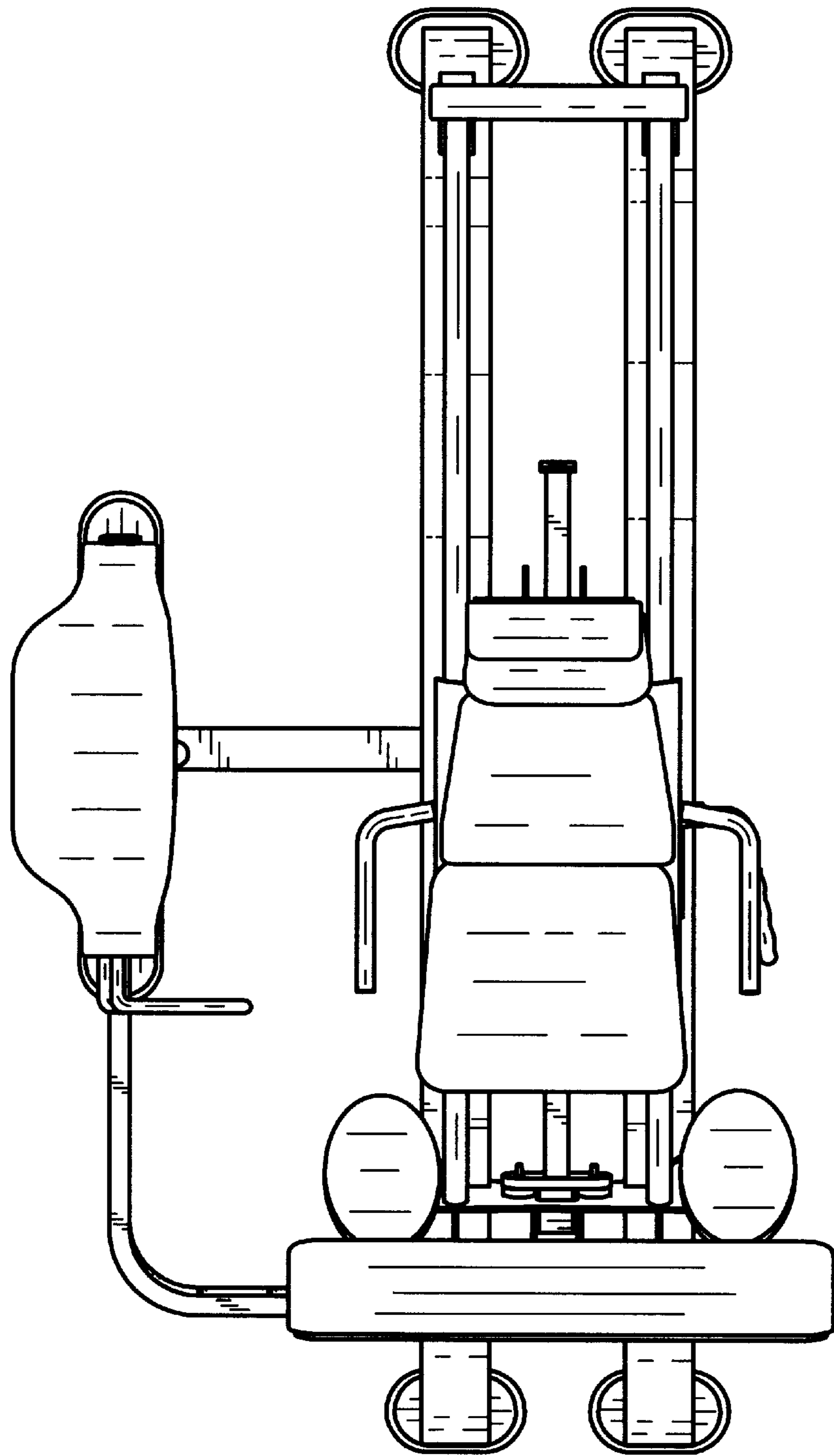


FIG. 4

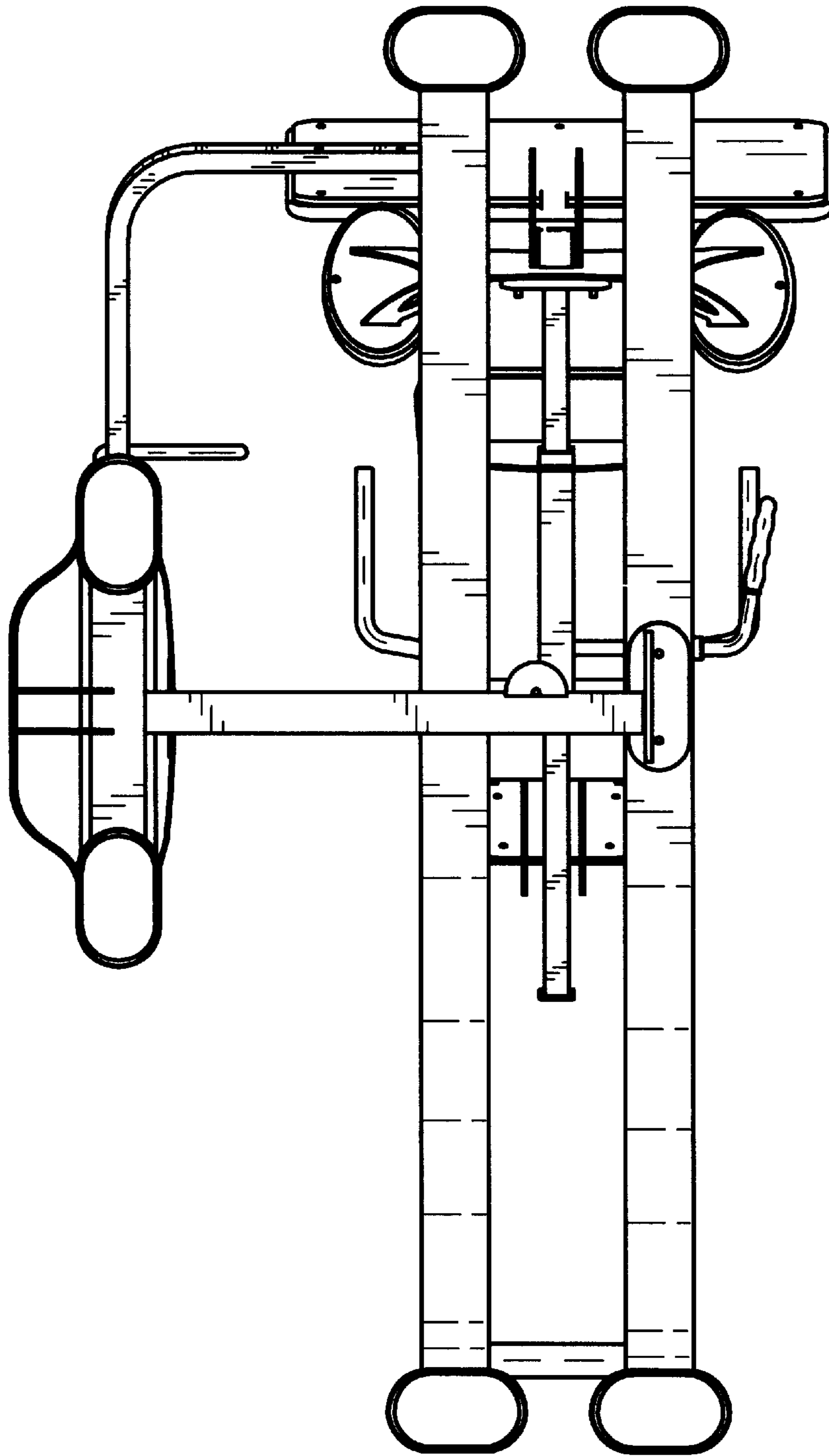


FIG. 5

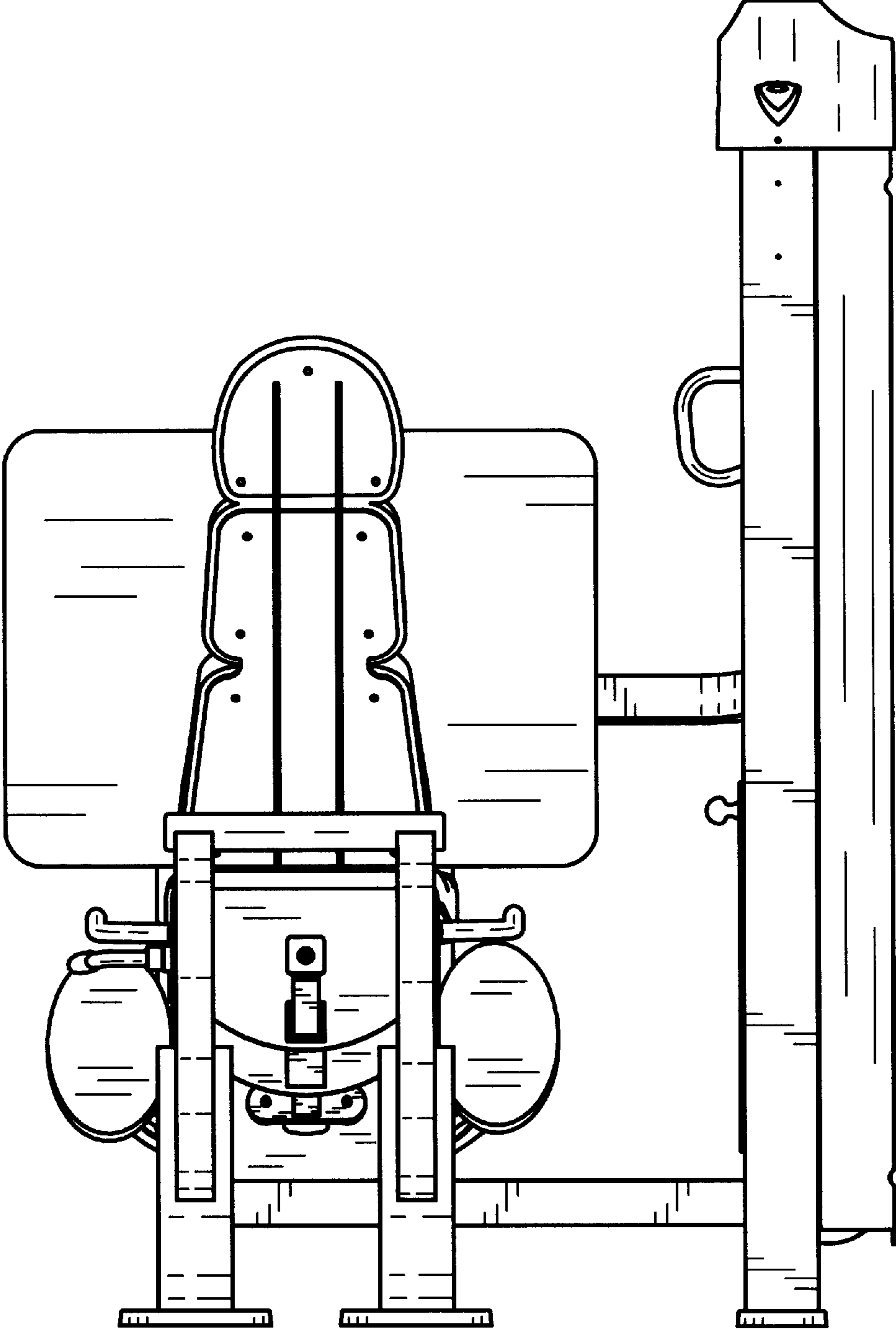


FIG. 6

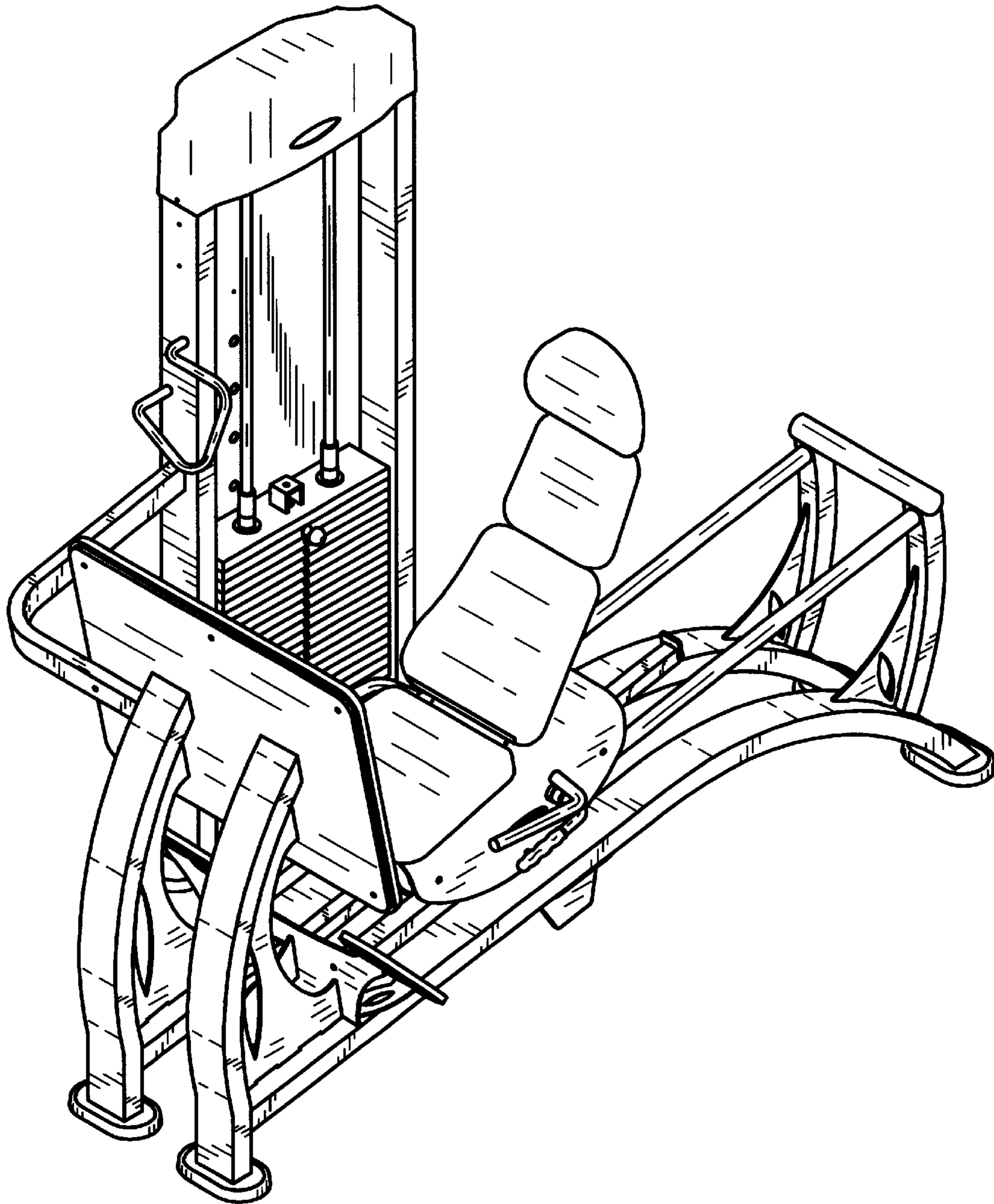


FIG. 7