



US00D513290S

(12) **United States Design Patent**  
**Panatta**

(10) **Patent No.: US D513,290 S**

(45) **Date of Patent: \*\* Dec. 27, 2005**

(54) **BODY-BUILDING MACHINE**

(76) **Inventor: Rodolfo Panatta**, Via Madonna della Fonte, 2, 62021-Apiro MC (IT)

(\*\*) **Term: 14 Years**

(21) **Appl. No.: 29/198,029**

(22) **Filed: Jan. 23, 2004**

(51) **LOC (6) Cl. .... 21-02**

(52) **U.S. Cl. .... D21/676**

(58) **Field of Search** ..... D21/662, 673,  
D21/674, 675, 676; 482/93, 94, 95, 97,  
98, 99, 100, 101, 133, 134, 135, 137, 138

(56) **References Cited**

**U.S. PATENT DOCUMENTS**

|           |   |   |         |                |       |         |
|-----------|---|---|---------|----------------|-------|---------|
| 4,478,411 | A | * | 10/1984 | Baldwin        | ..... | 482/136 |
| 5,562,578 | A | * | 10/1996 | Guillemette    | ..... | 482/100 |
| 5,575,743 | A | * | 11/1996 | Jones et al.   | ..... | 482/97  |
| 5,575,744 | A | * | 11/1996 | Jones et al.   | ..... | 482/97  |
| 5,833,585 | A | * | 11/1998 | Jones et al.   | ..... | 482/97  |
| 6,015,372 | A | * | 1/2000  | Steffee et al. | ..... | 482/137 |

**OTHER PUBLICATIONS**

Gopher Catalog, Fall 2003, pp. 230 and 240, Power Source Selectorized Machines.\*

\* cited by examiner

*Primary Examiner*—Philip S. Hyder

(74) *Attorney, Agent, or Firm*—Armstrong, Kratz, Quintos, Hanson & Brooks, LLP

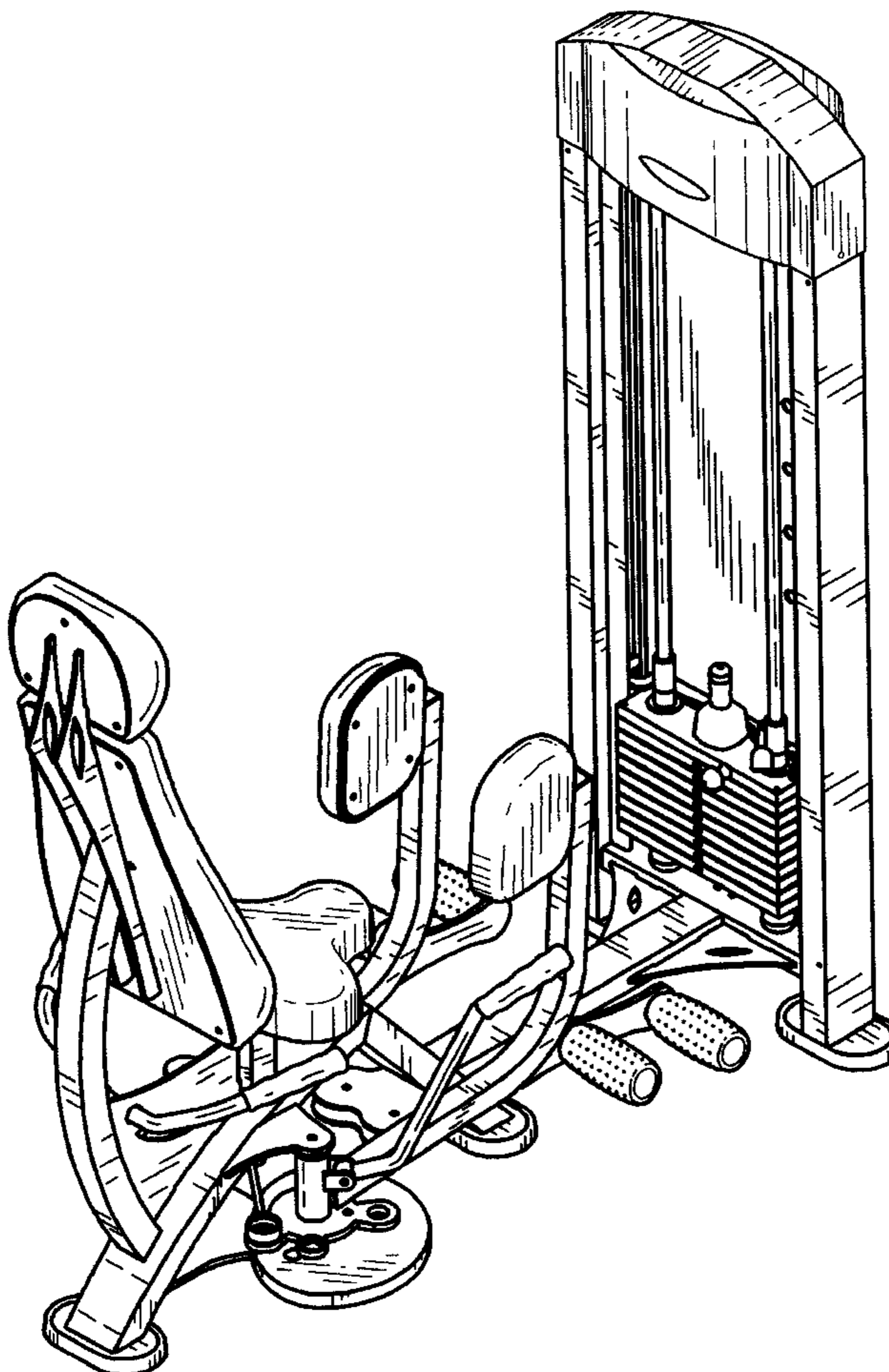
(57) **CLAIM**

I claim the ornamental design for a body-building machine, as shown and described.

**DESCRIPTION**

FIG. 1 is a front elevational view thereof.  
FIG. 2 is a right side elevational view thereof.  
FIG. 3 is a left side elevational view thereof.  
FIG. 4 is a top plan elevational view thereof.  
FIG. 5 is a bottom plan elevational view thereof.  
FIG. 6 is a rear elevational view thereof; and,  
FIG. 7 is a right perspective view of a body-building machine.

**1 Claim, 7 Drawing Sheets**



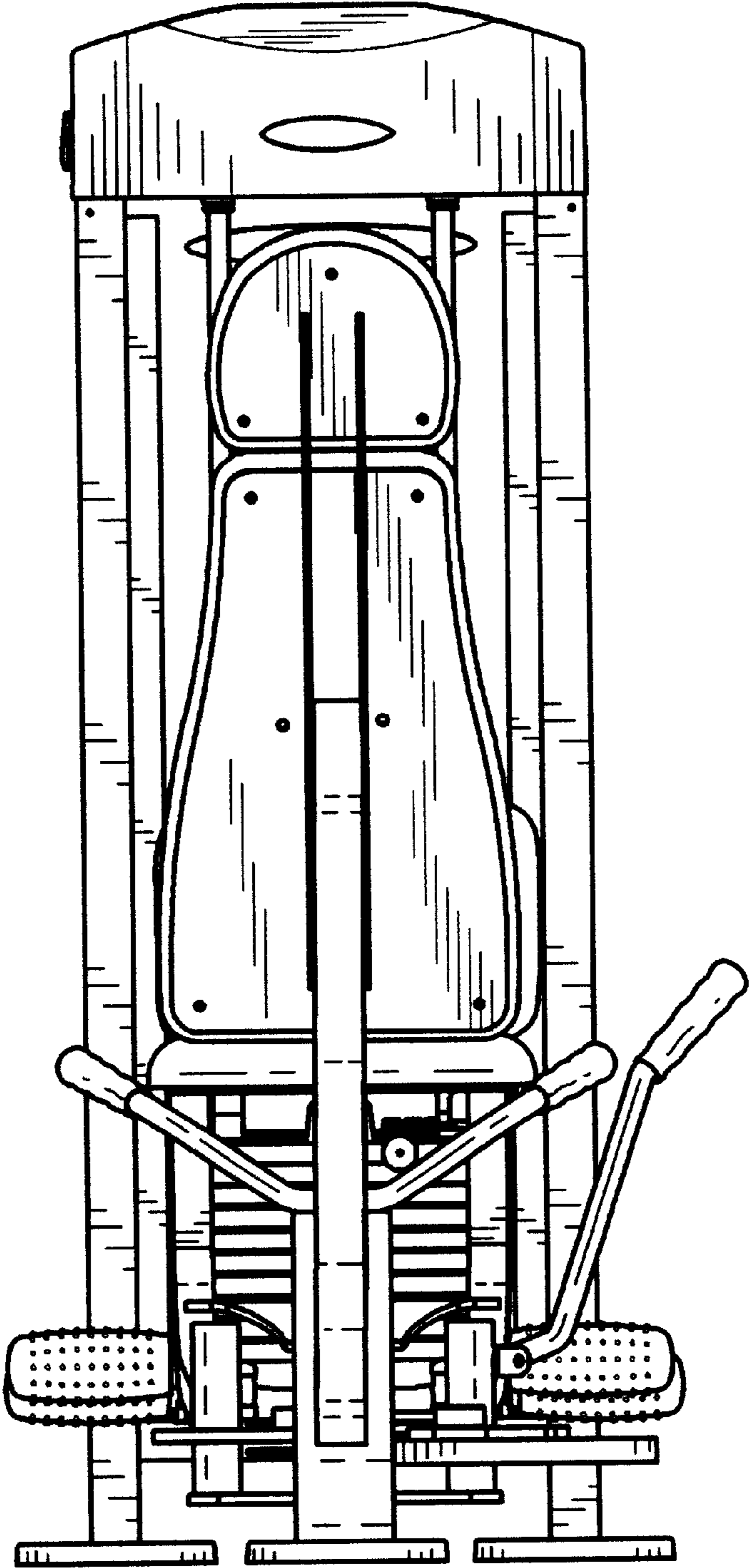


FIG. 1

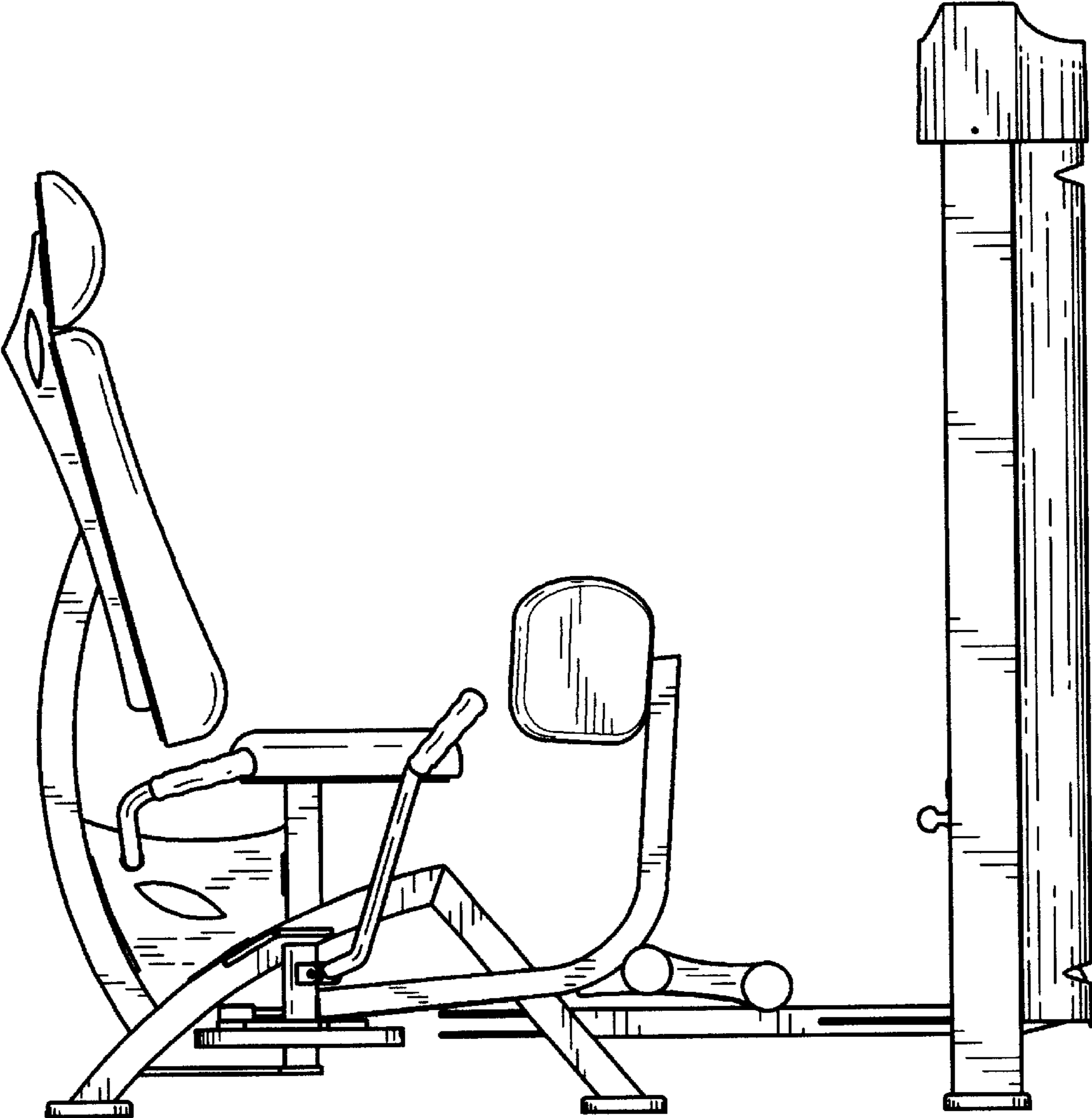


FIG. 2

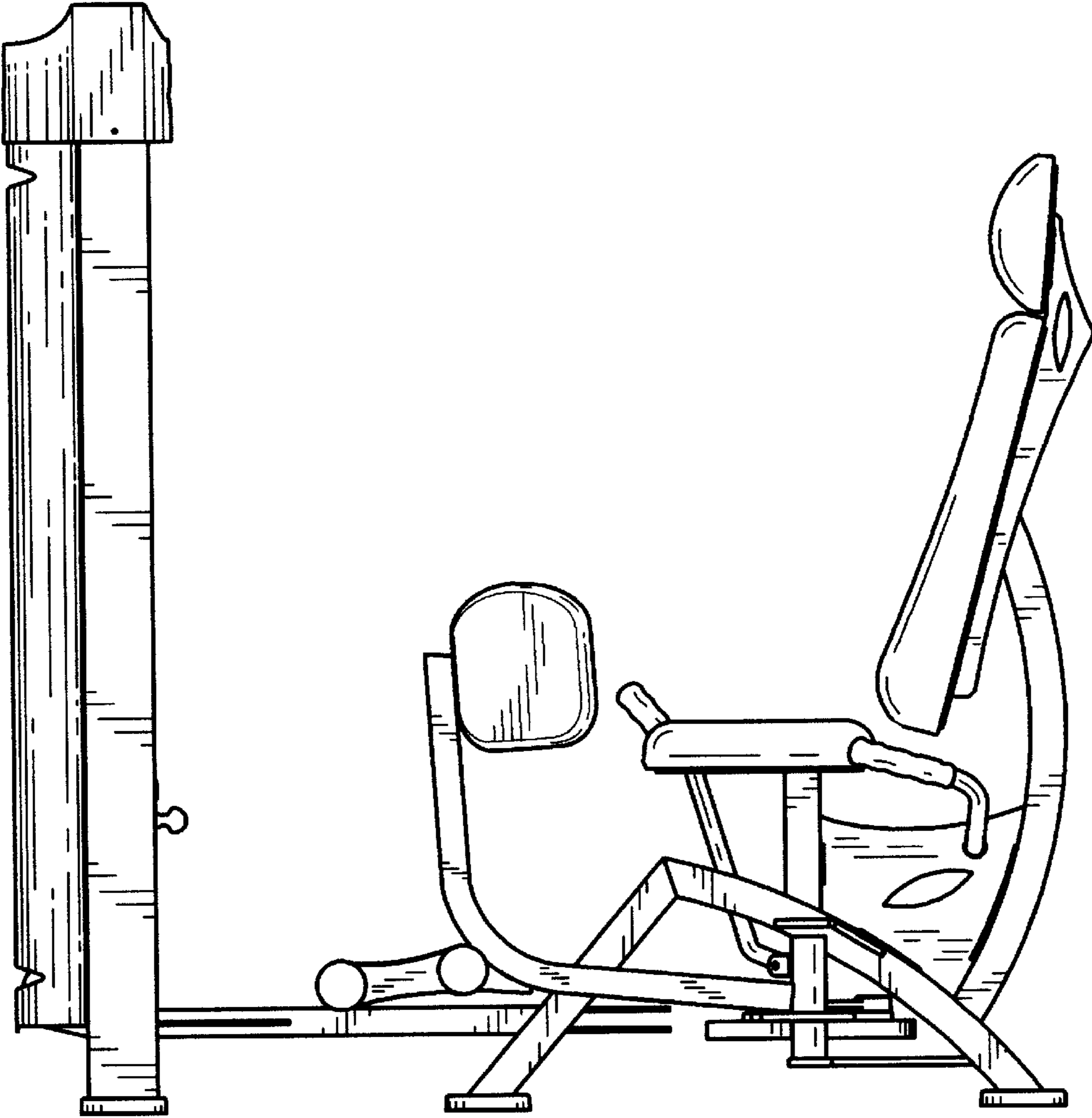


FIG. 3

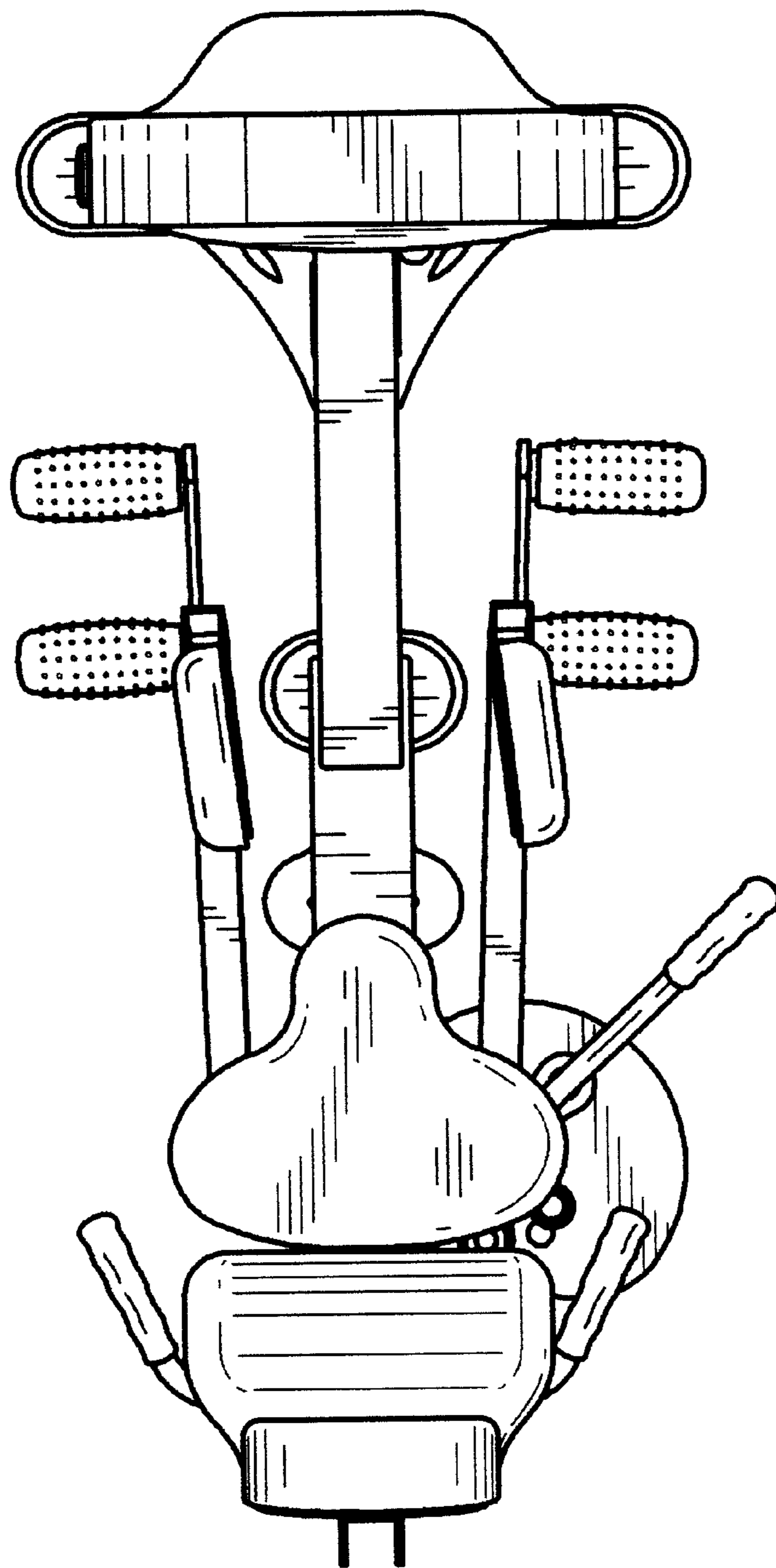


FIG. 4

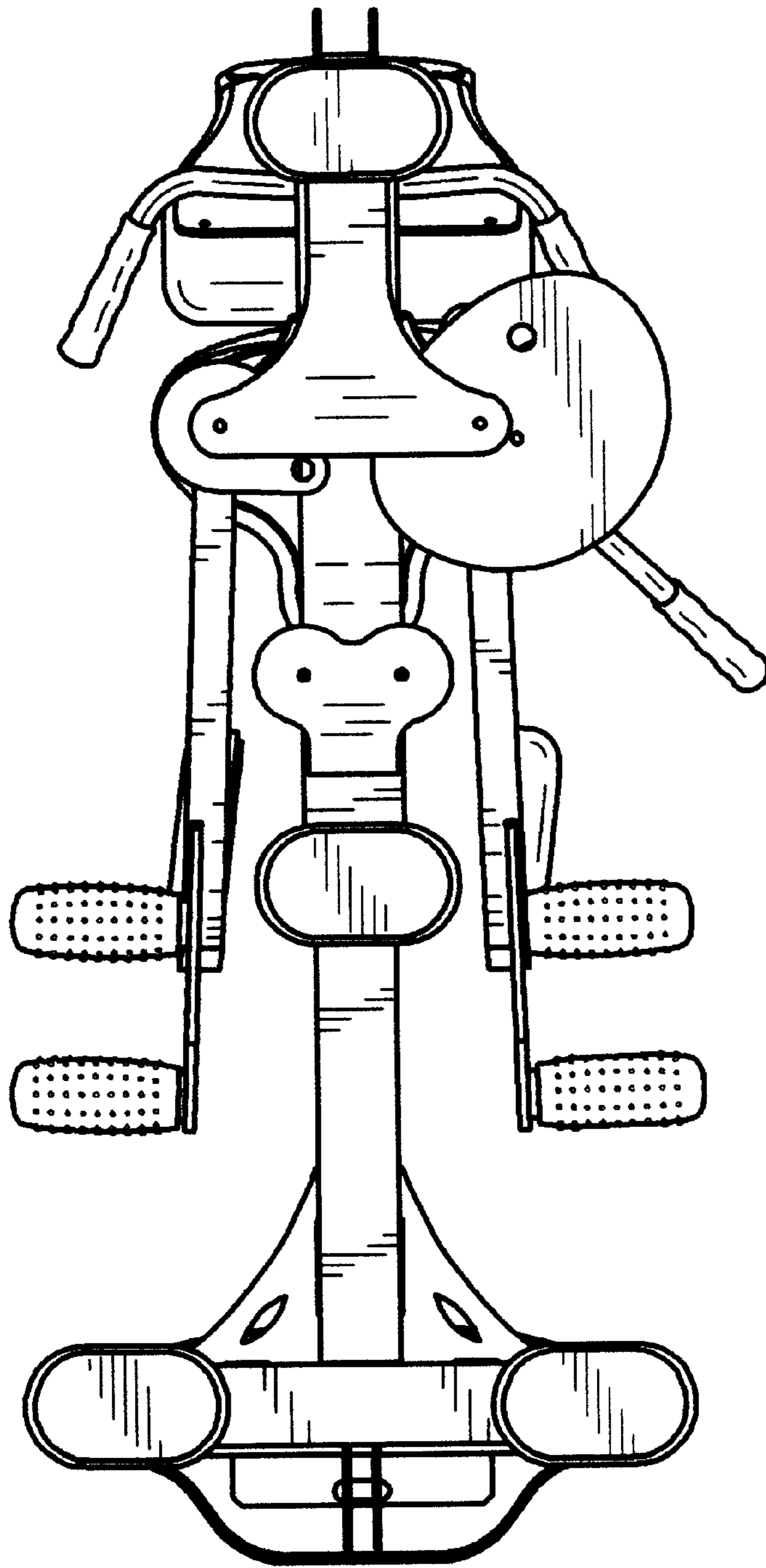


FIG. 5

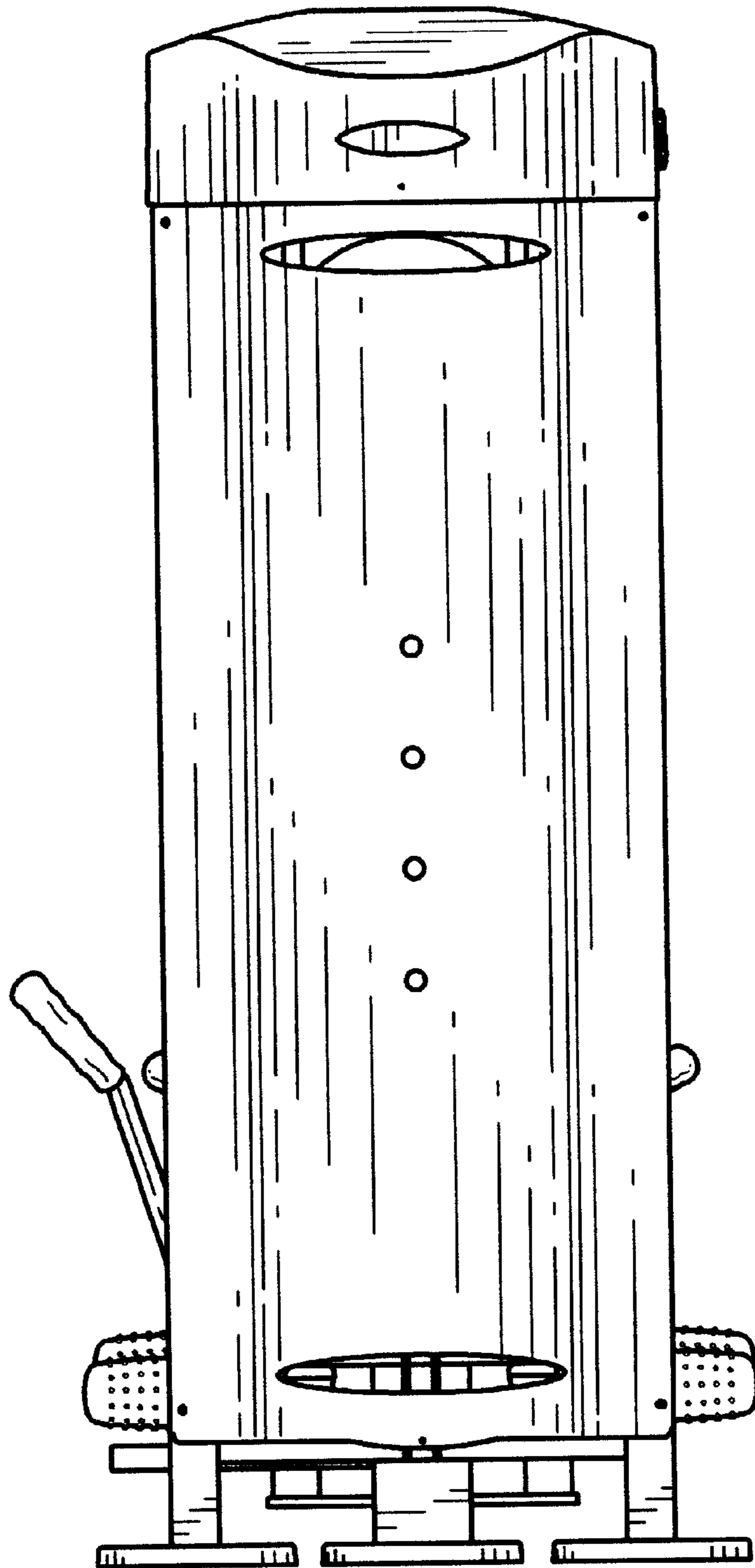


FIG. 6

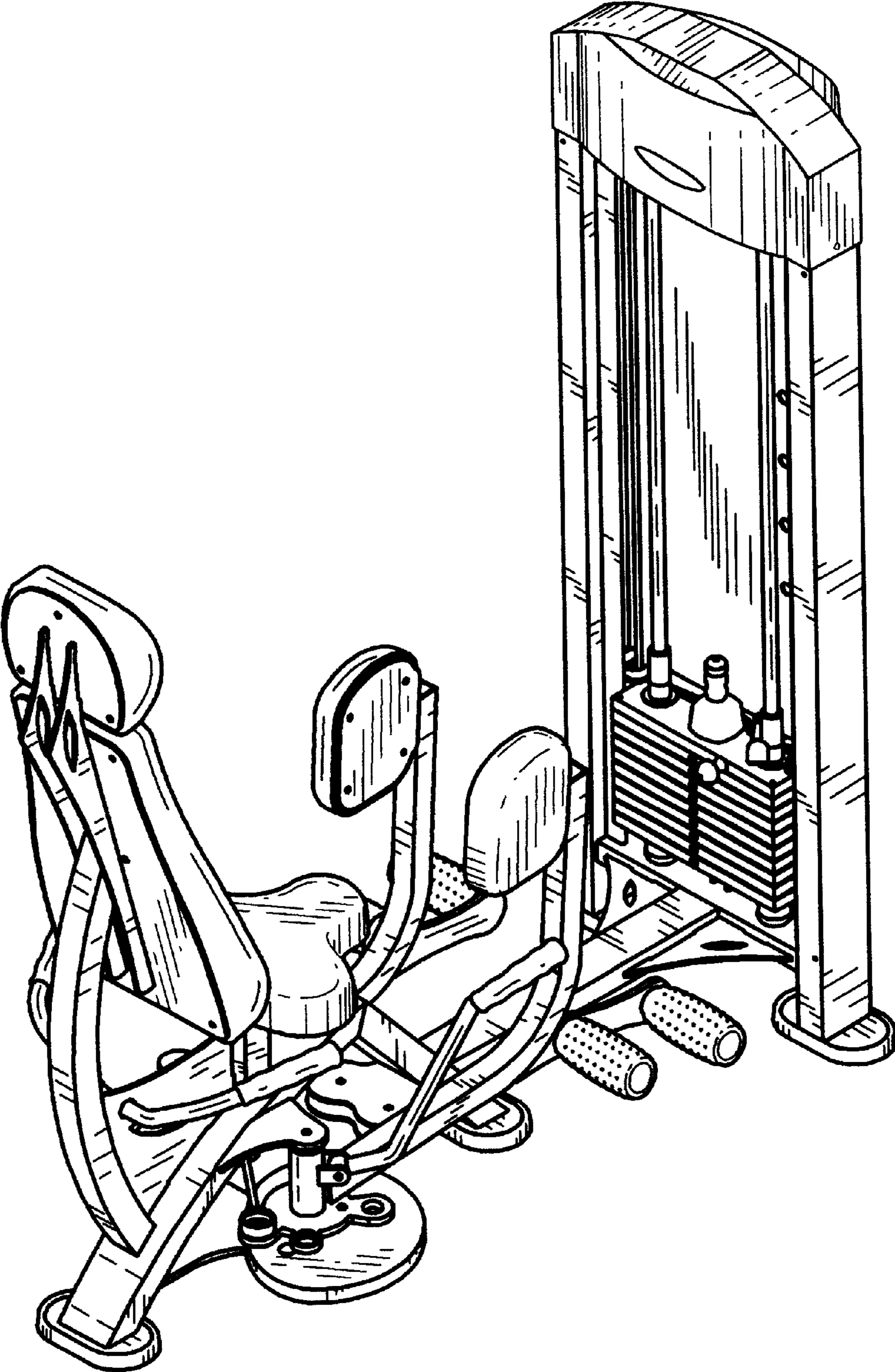


FIG. 7