



US00D513289S

(12) **United States Design Patent**
Panatta

(10) **Patent No.:** **US D513,289 S**

(45) **Date of Patent:** **** Dec. 27, 2005**

(54) **BODY-BUILDING MACHINE**

D481,428 S * 10/2003 Giannelli et al. D21/675

(76) **Inventor:** **Rodolfo Panatta**, Via Madonna della Fonte, 2, 62021-Apiro (MC) (IT)

(**) **Term:** **14 Years**

(21) **Appl. No.:** **29/198,024**

(22) **Filed:** **Jan. 23, 2004**

(51) **LOC (6) Cl.** **21-02**

(52) **U.S. Cl.** **D21/676**

(58) **Field of Search** D21/662, 673,
D21/674, 675, 676; 482/93, 94, 95, 97,
98, 99, 100, 101, 133, 134, 135, 137, 138

(56) **References Cited**

U.S. PATENT DOCUMENTS

4,236,712 A	*	12/1980	Lambert, Jr.	482/98
4,511,137 A	*	4/1985	Jones	482/100
4,549,734 A	*	10/1985	Hibler et al.	482/135
D299,843 S	*	2/1989	Brentham	D21/673
5,529,558 A	*	6/1996	Koenig	482/97
5,554,090 A	*	9/1996	Jones	482/97
5,569,133 A	*	10/1996	Vittone	482/98
6,251,052 B1	*	6/2001	Simonson	482/100
6,296,596 B1	*	10/2001	Alessandri et al.	482/137

OTHER PUBLICATIONS

Gopher Catalog, Fall 2003, pp. 230 and 240, Power Source Selectorized Machines.*

* cited by examiner

Primary Examiner—Philip S. Hyder

(74) *Attorney, Agent, or Firm*—Armstrong, Kratz, Quintos, Hanson & Brooks, LLP

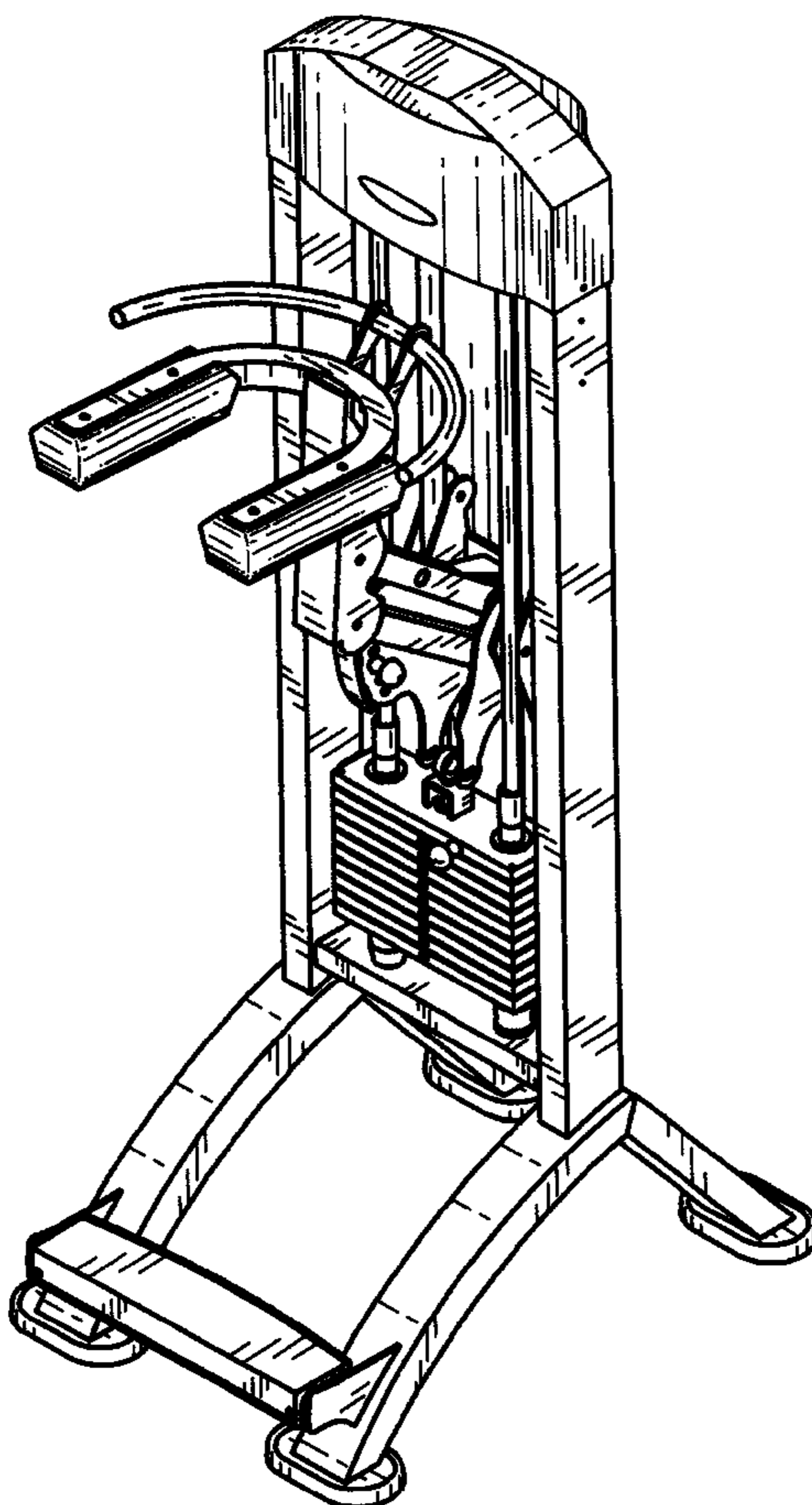
(57) **CLAIM**

I claim the ornamental design for a body-building machine, as shown and described.

DESCRIPTION

FIG. 1 is a front elevational view thereof.
FIG. 2 is a right side elevational view thereof.
FIG. 3 is a left side elevational view thereof.
FIG. 4 is a top plan elevational view thereof.
FIG. 5 is a bottom plan elevational view thereof.
FIG. 6 is a rear elevational view thereof; and,
FIG. 7 is a right perspective view of a body-building machine.

1 Claim, 7 Drawing Sheets



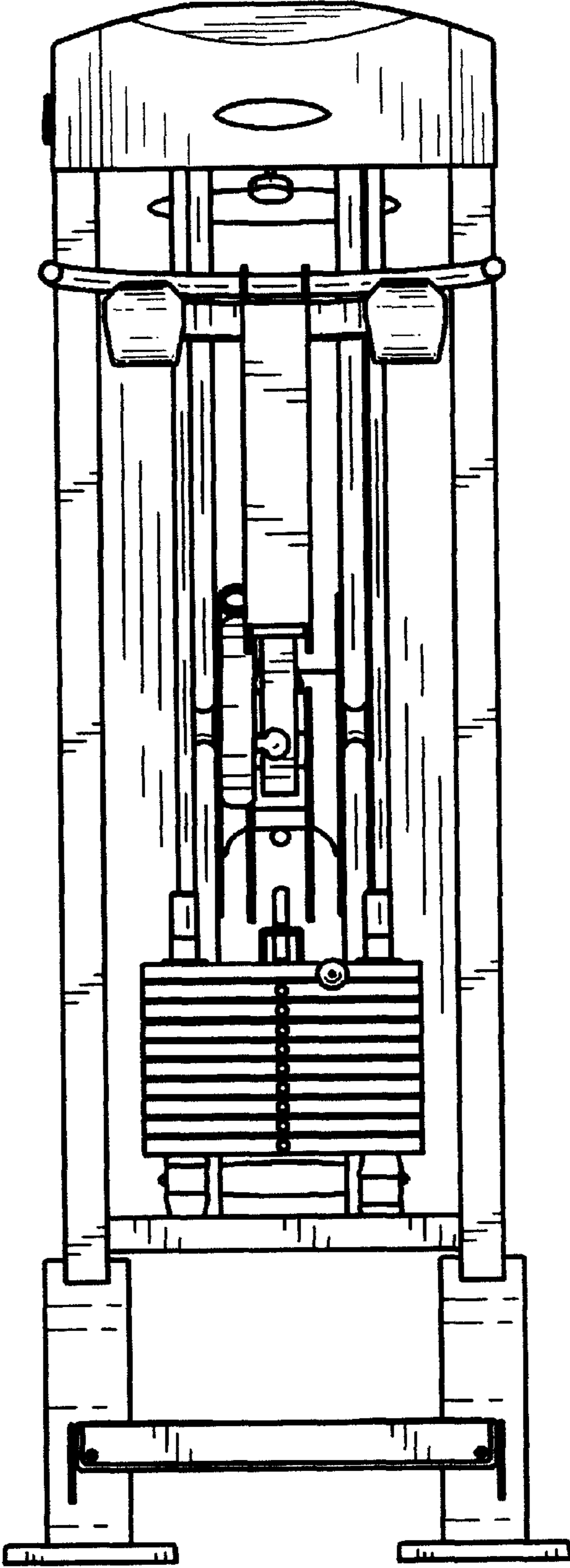


FIG. 1

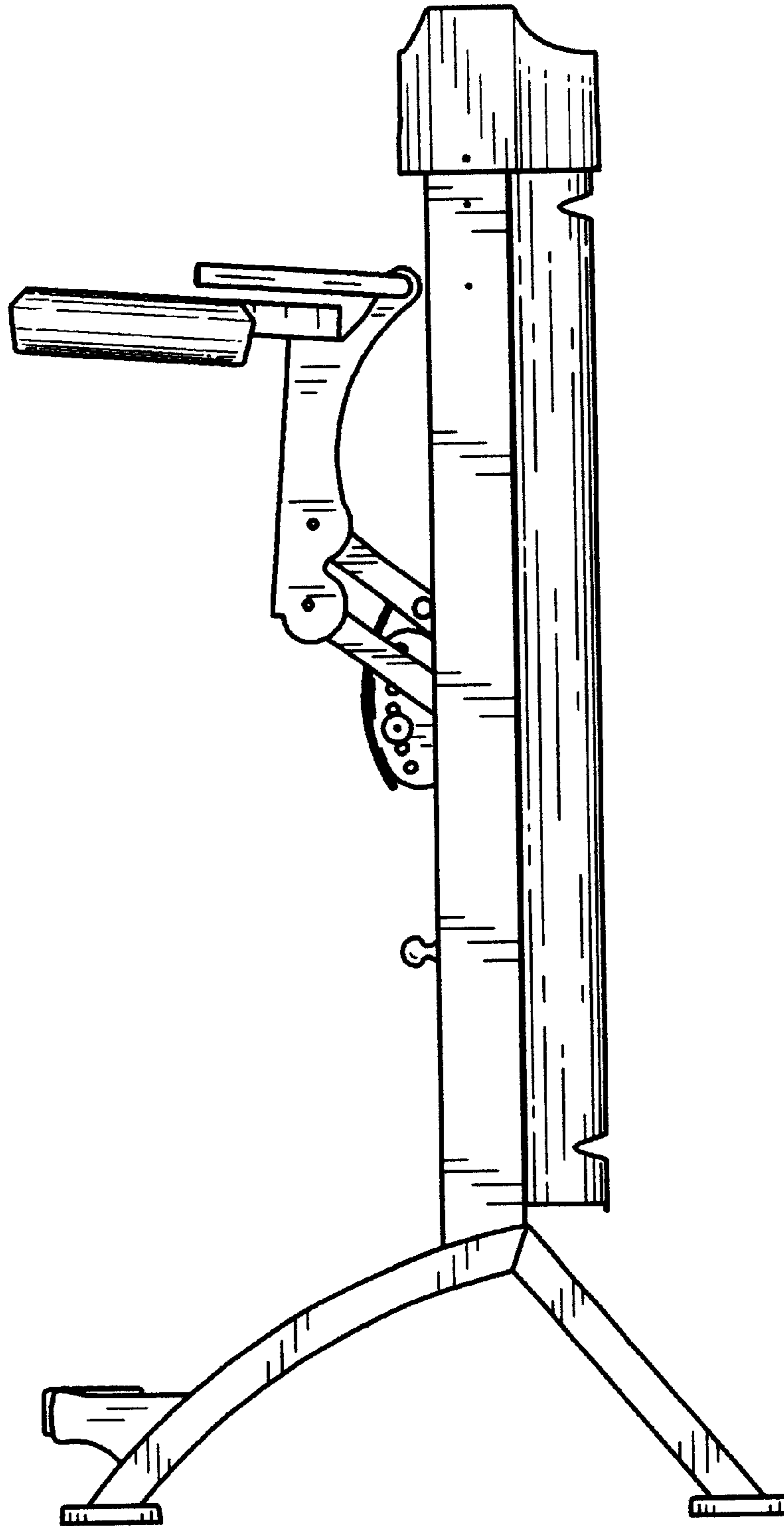


FIG. 2

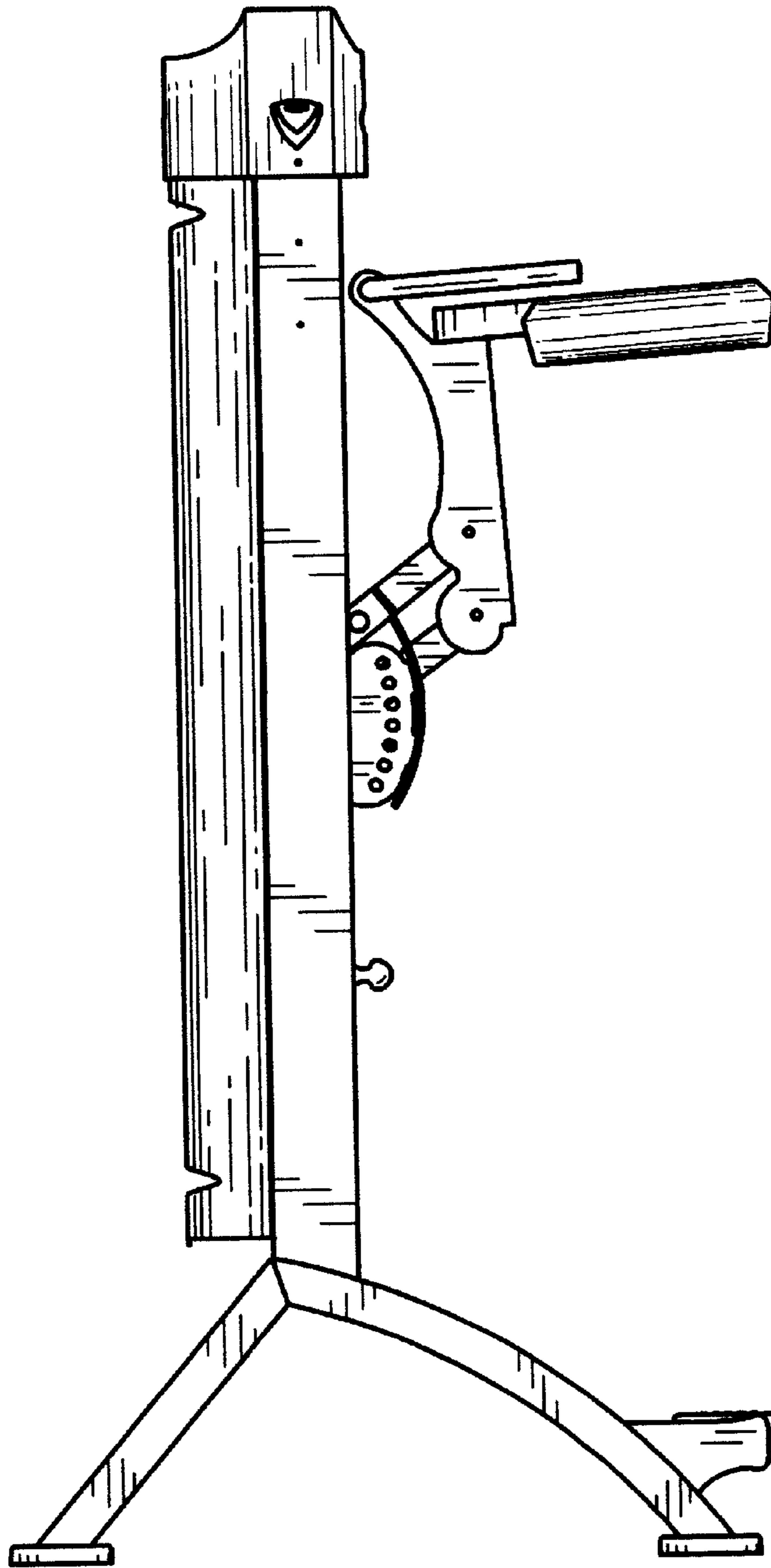


FIG. 3

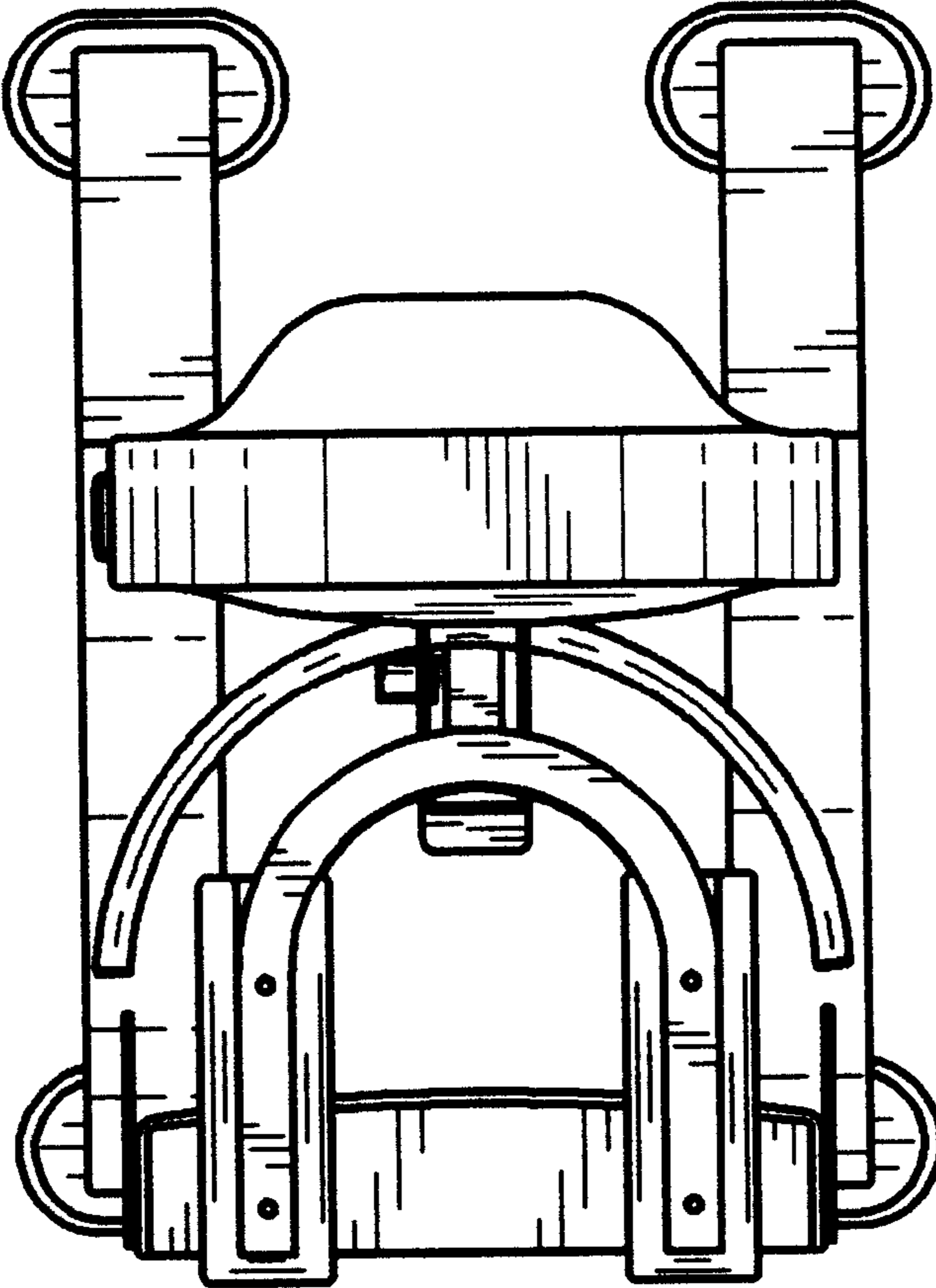


FIG. 4

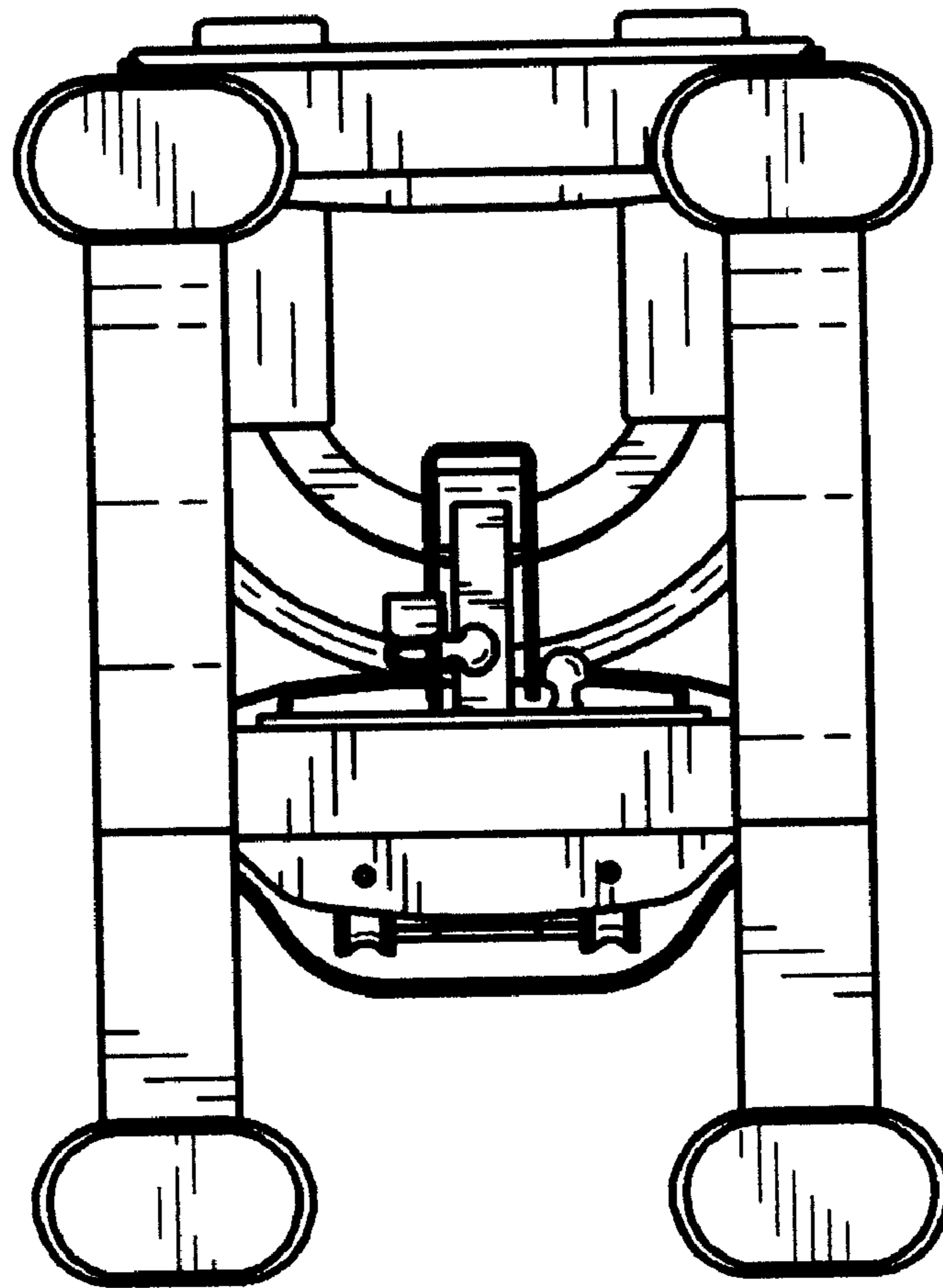


FIG. 5

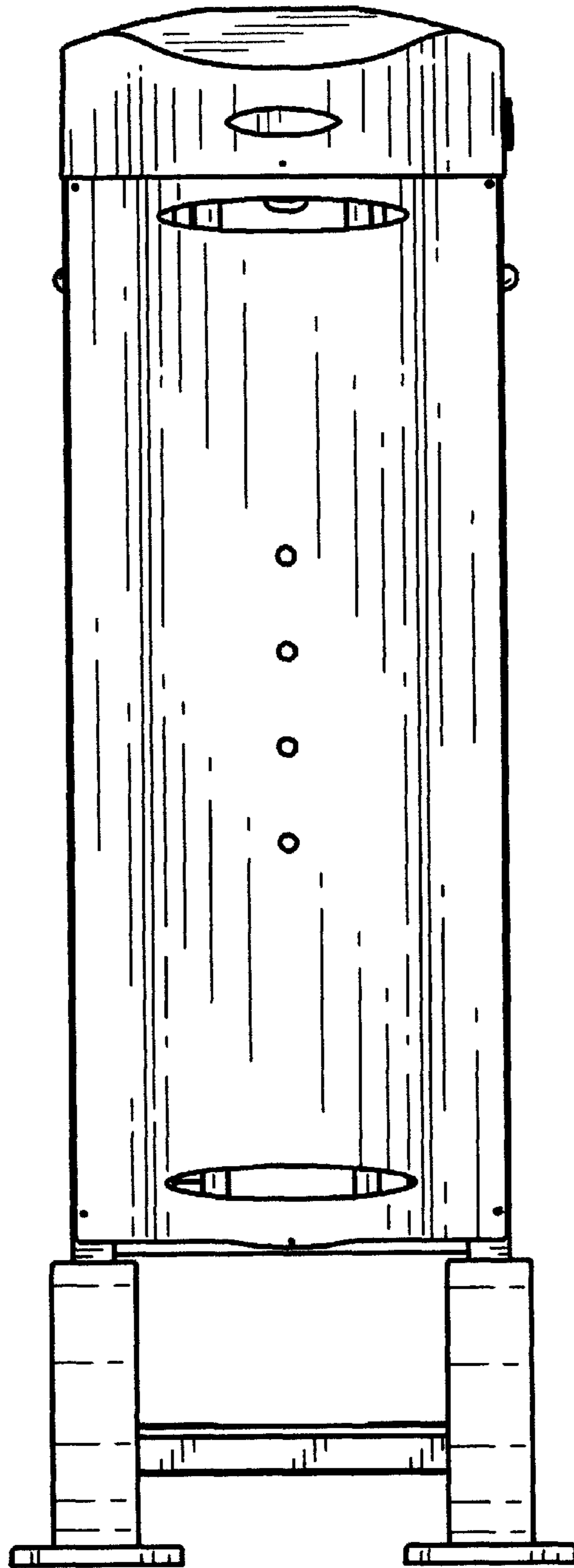


FIG. 6

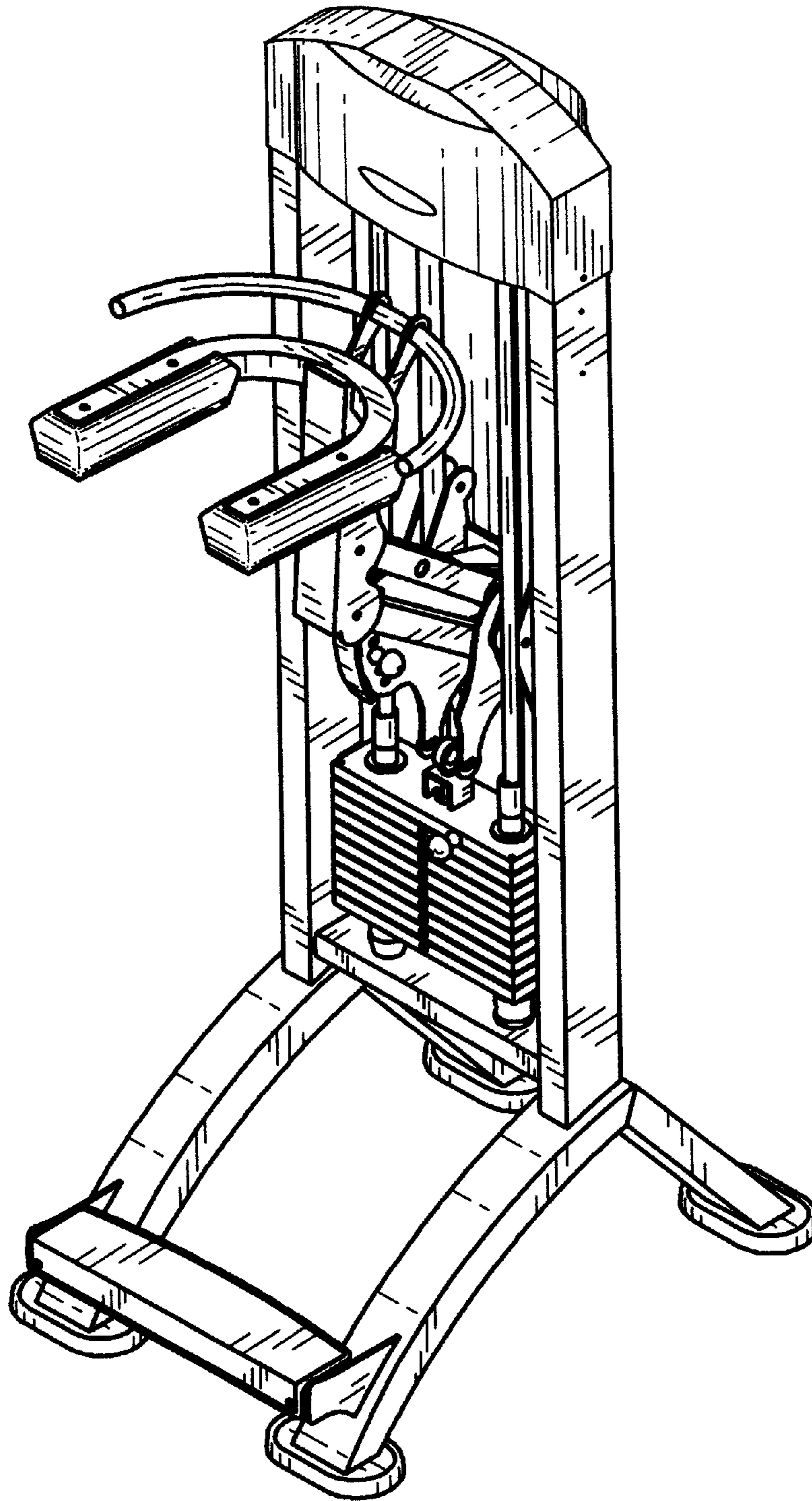


FIG. 7