



US00D513287S

(12) **United States Design Patent**  
**Panatta**

(10) **Patent No.: US D513,287 S**

(45) **Date of Patent: \*\* Dec. 27, 2005**

(54) **BODY-BUILDING MACHINE**

(76) **Inventor: Rodolfo Panatta**, Via Madonna della Fonte, 2, 62021-Apiro (MC) (IT)

(\*\*) **Term: 14 Years**

(21) **Appl. No.: 29/197,986**

(22) **Filed: Jan. 23, 2004**

(51) **LOC (6) Cl. .... 21-02**

(52) **U.S. Cl. .... D21/676**

(58) **Field of Search** ..... D21/662, 673,  
D21/674, 675, 676; 482/93, 94, 95, 97,  
98, 99, 100, 101, 133, 134, 135, 137, 138

(56) **References Cited**

**U.S. PATENT DOCUMENTS**

4,949,951	A	*	8/1990	Deola	.....	482/138
5,342,270	A	*	8/1994	Jones	.....	482/98
5,437,589	A	*	8/1995	Habing	.....	482/72
D370,950	S	*	6/1996	Webber	.....	D21/676
5,580,341	A	*	12/1996	Simonson	.....	482/100
5,643,152	A	*	7/1997	Simonson	.....	482/100
5,971,895	A	*	10/1999	Habing	.....	482/100
6,142,917	A	*	11/2000	Giannelli et al.	.....	482/100
D439,941	S	*	4/2001	Batca et al.	.....	D21/676

**OTHER PUBLICATIONS**

Gopher Catalog, Fall 2003, pp. 230 and 240, Power Source Selectorized Machines.\*

BSN catalog, Fall 2002, p. 22, Champion Barbell chest and shoulder presses.\*

\* cited by examiner

*Primary Examiner*—Philip S. Hyder

(74) *Attorney, Agent, or Firm*—Armstrong, Kratz, Quintos, Hanson & Brooks, LLP

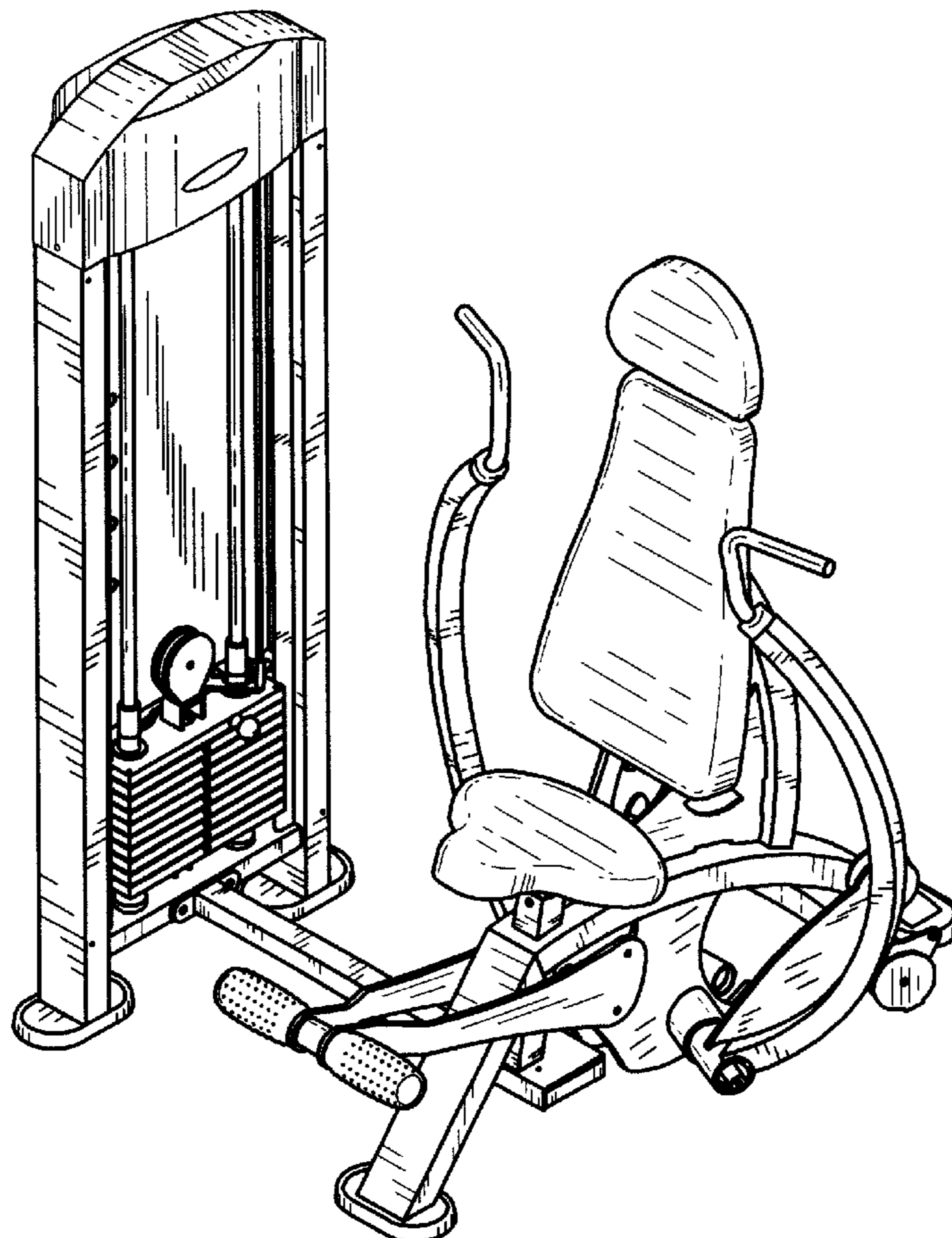
(57) **CLAIM**

I claim the ornamental design for a body-building machine, as shown and described.

**DESCRIPTION**

FIG. 1 is a front elevational view thereof.  
FIG. 2 is a right side elevational view thereof.  
FIG. 3 is a left side elevational view thereof.  
FIG. 4 is a top plan elevational view thereof.  
FIG. 5 is a bottom plan elevational view thereof.  
FIG. 6 is a rear elevational view thereof; and,  
FIG. 7 is a right perspective view of a body-building machine.

**1 Claim, 7 Drawing Sheets**



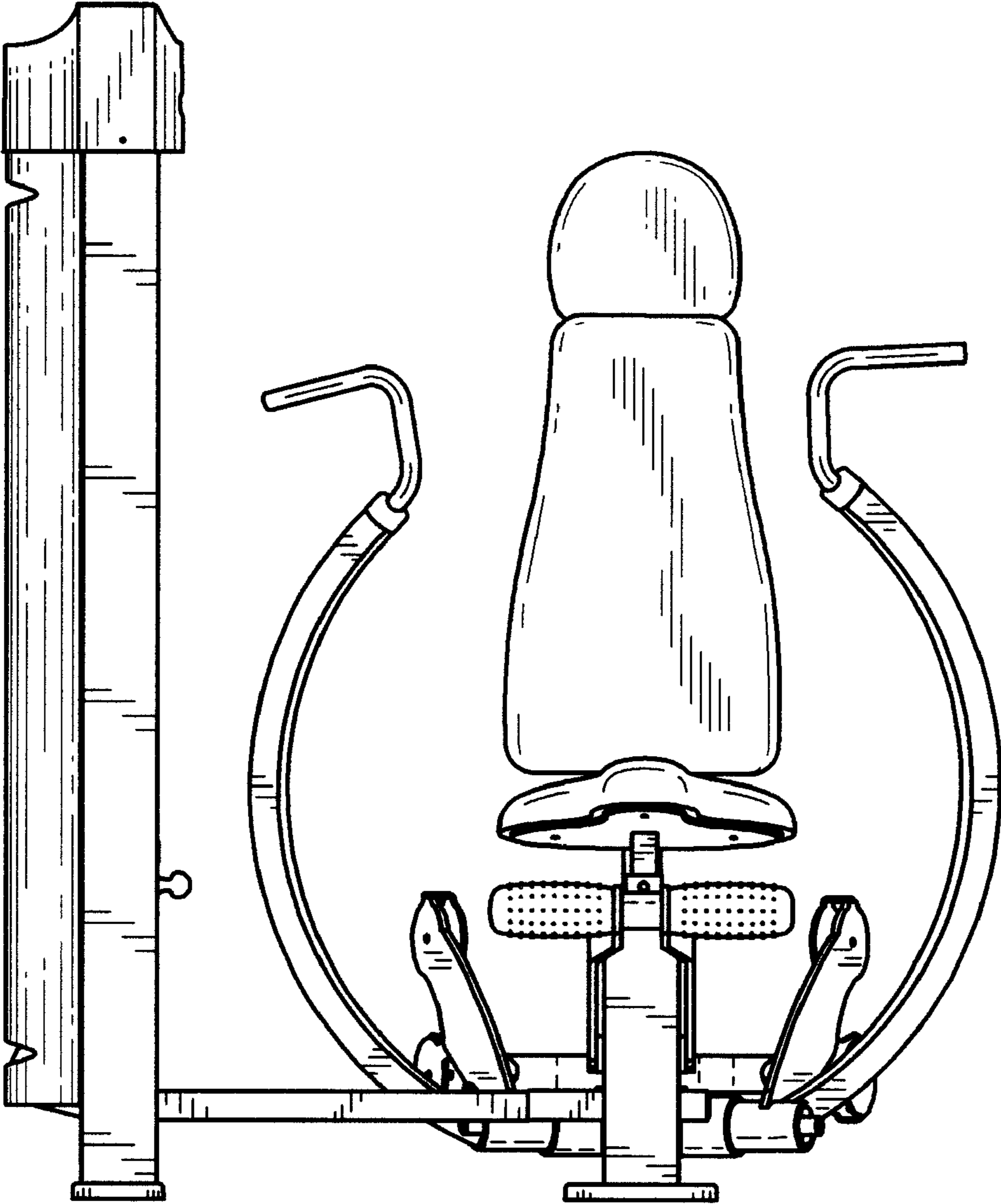


FIG. 1

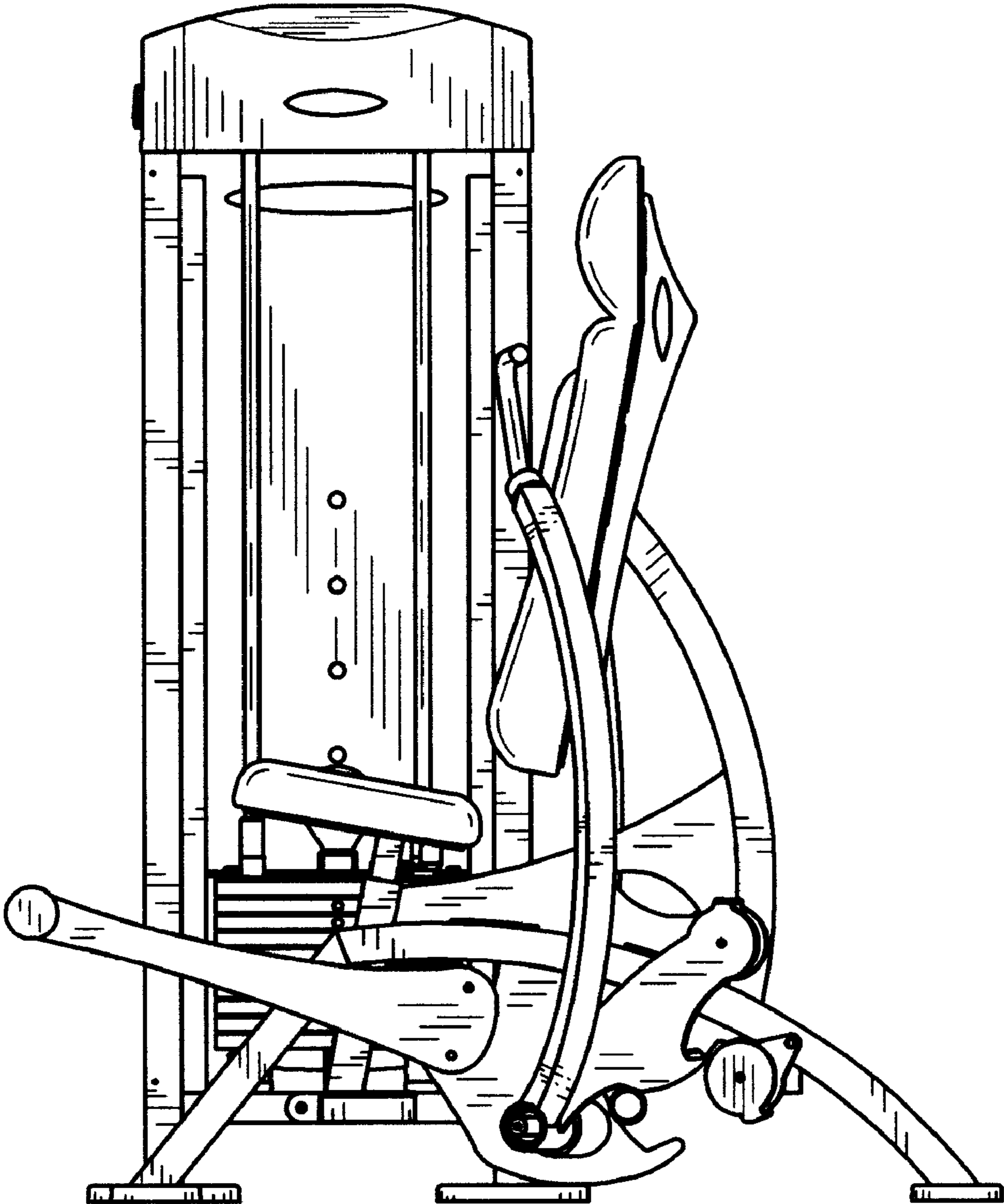


FIG. 2

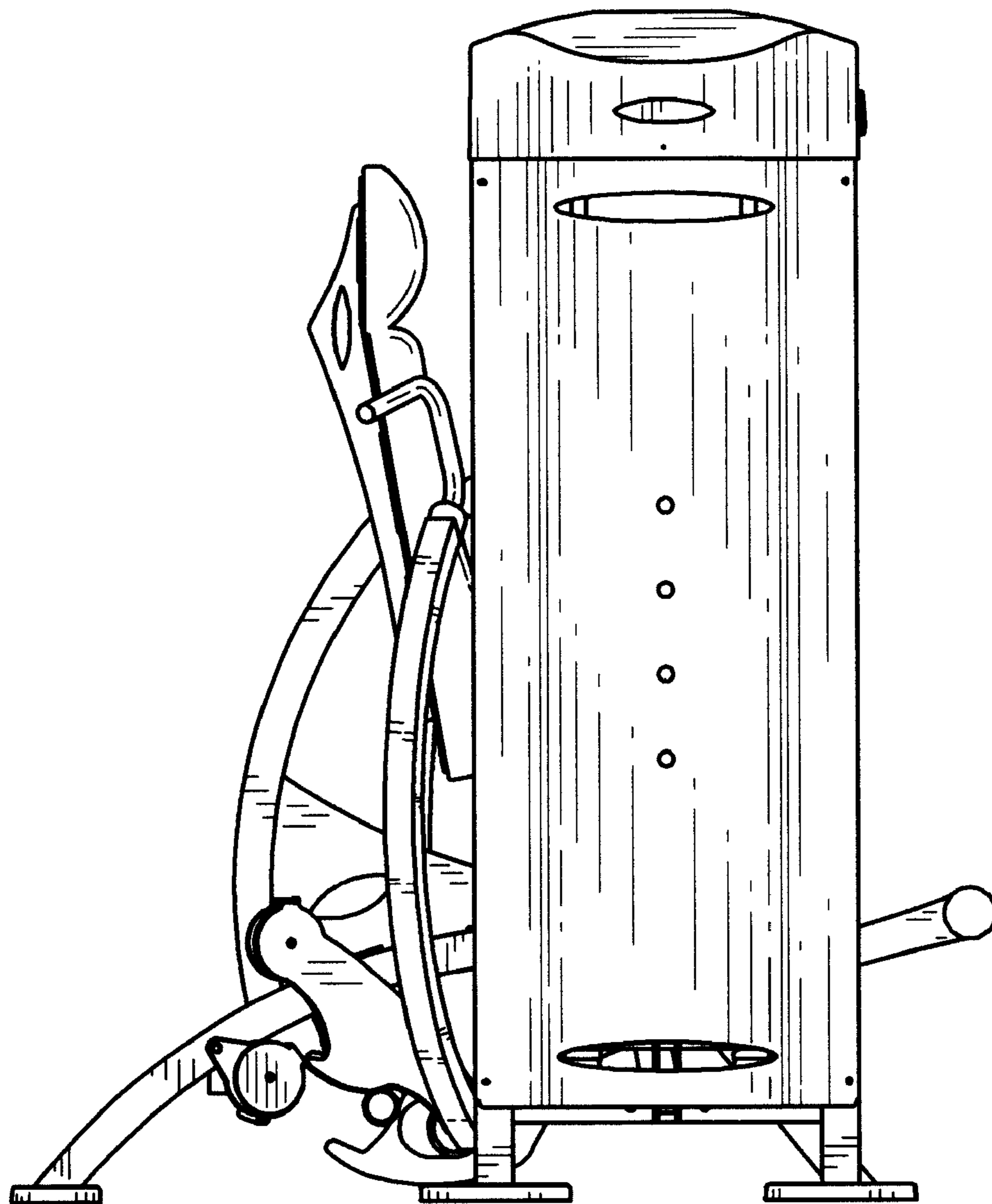


FIG. 3

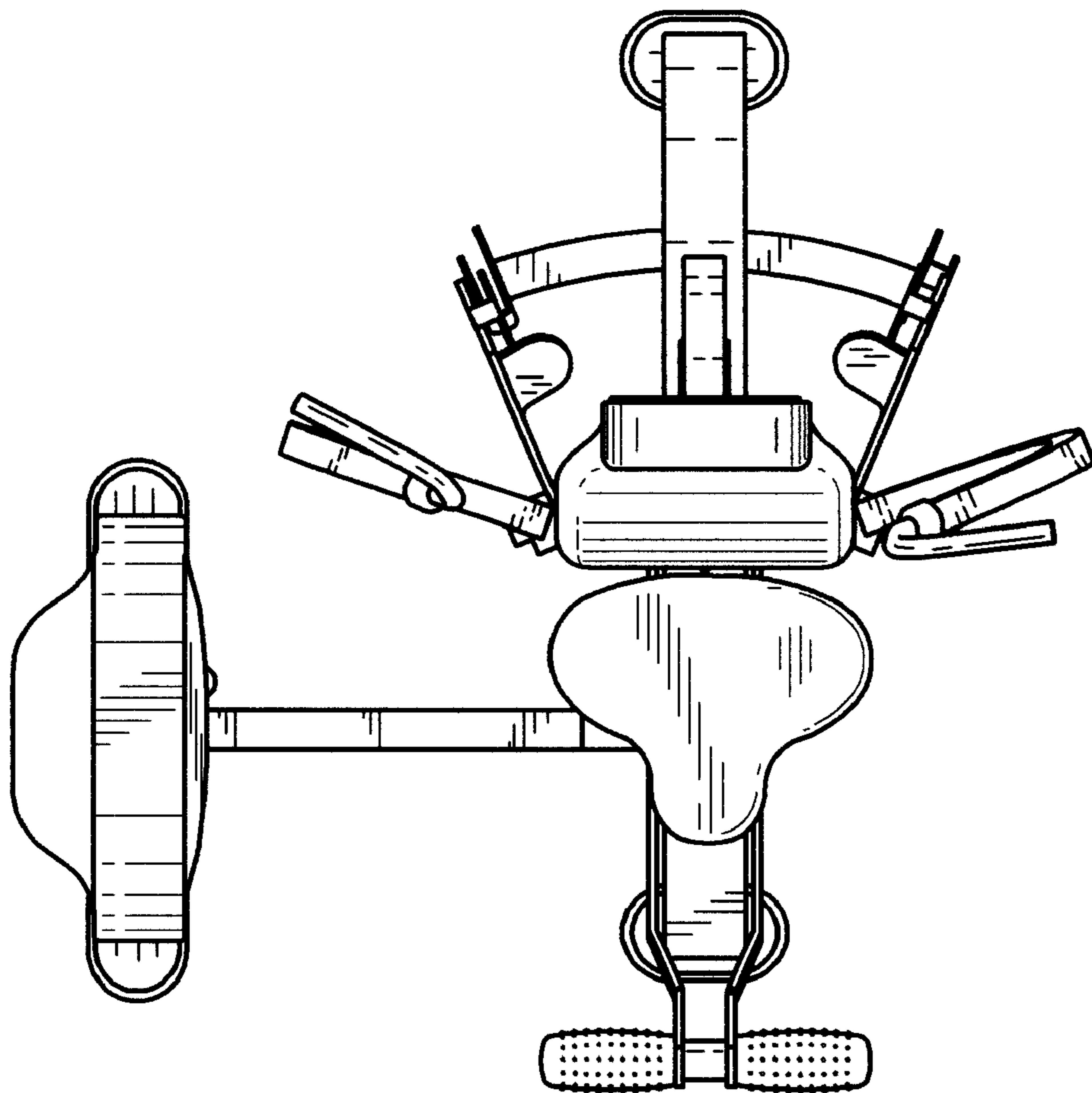


FIG. 4

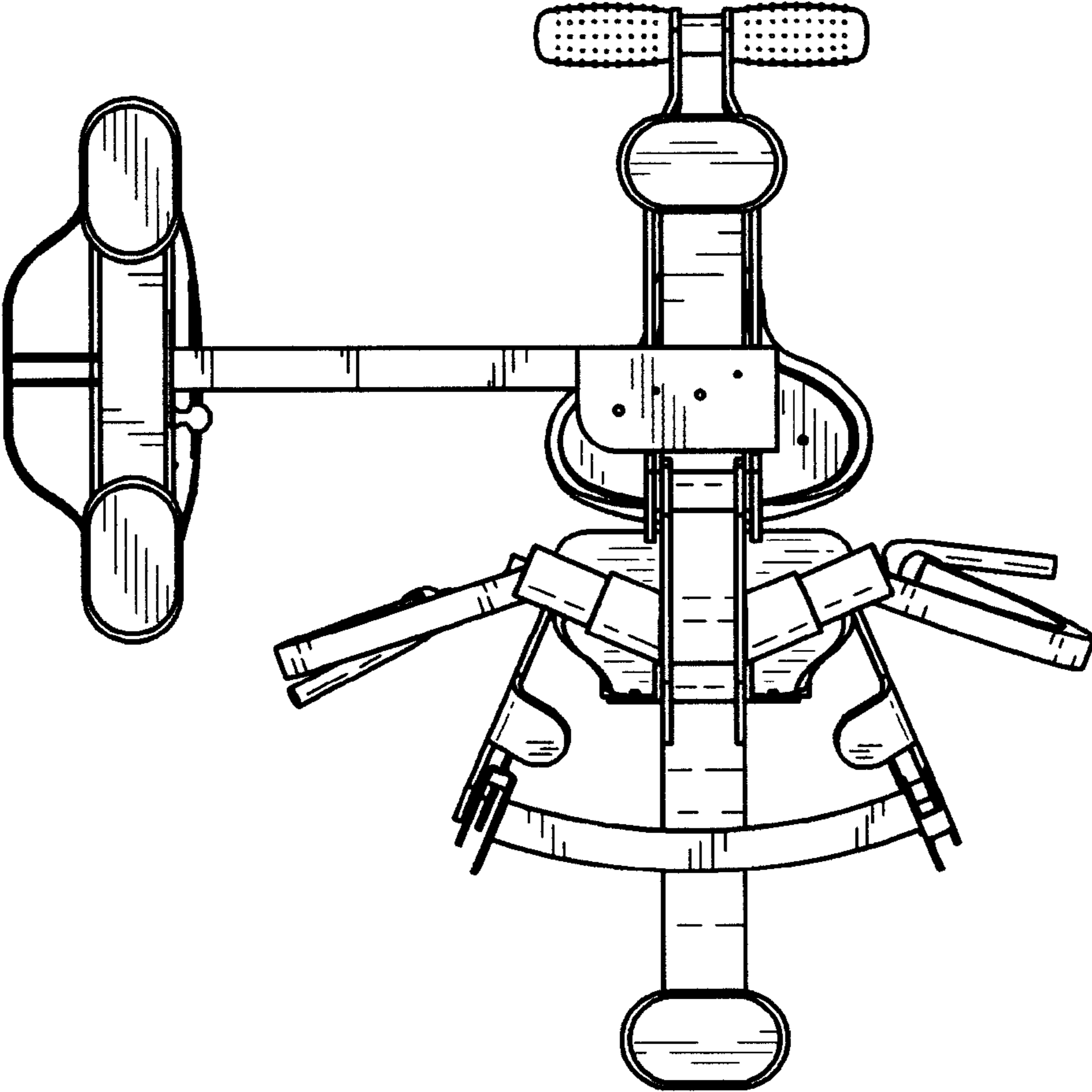


FIG. 5

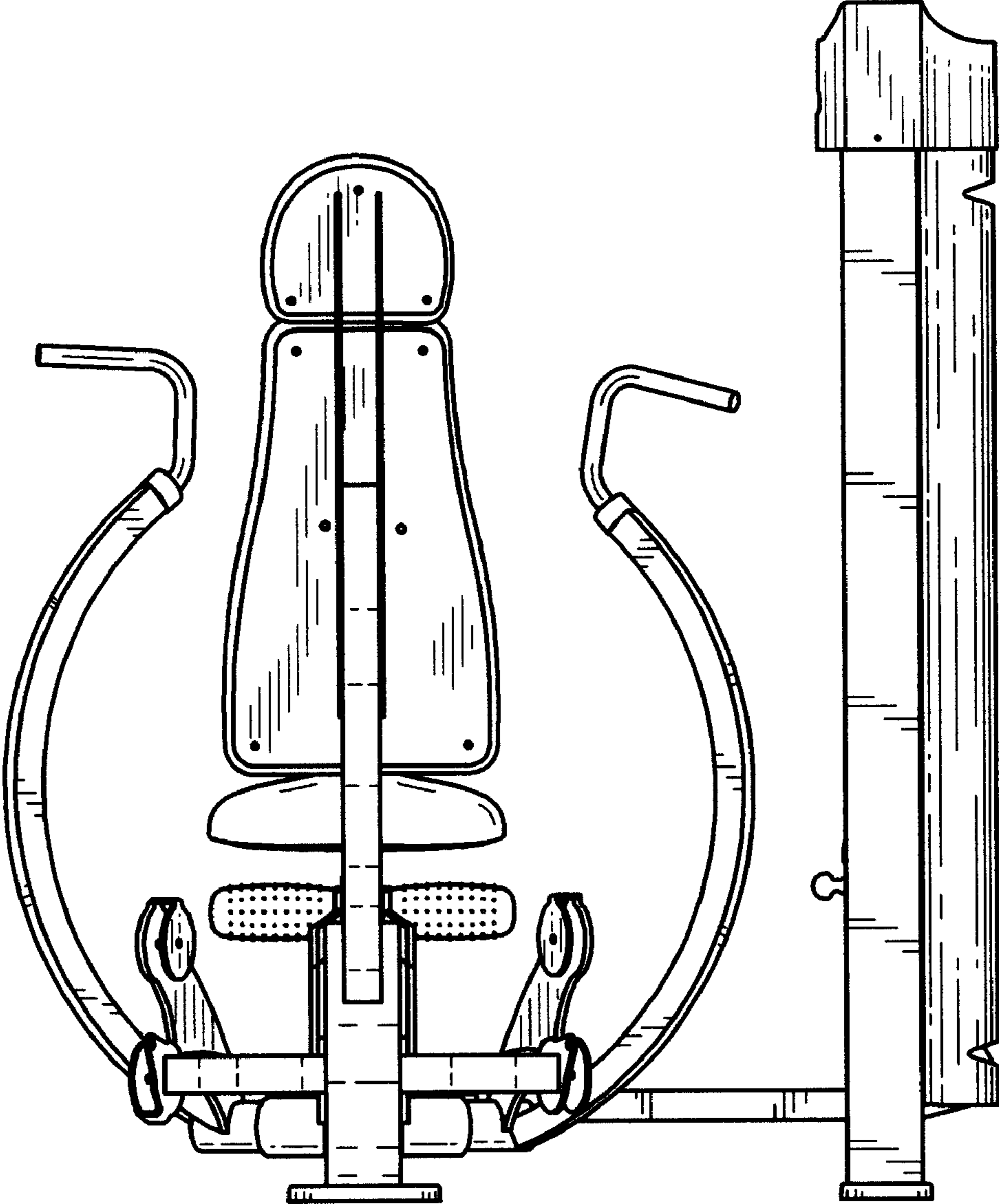


FIG. 6

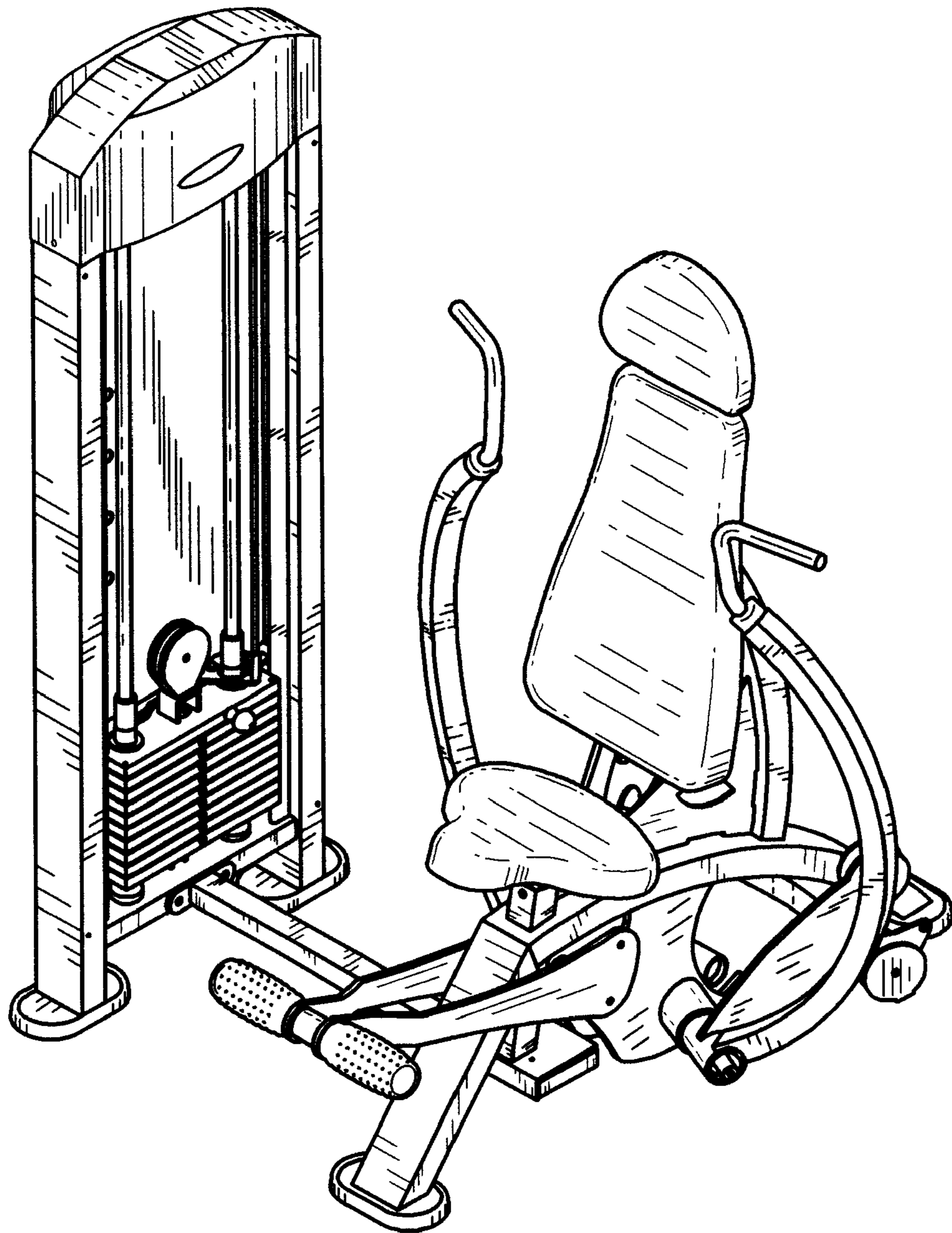


FIG. 7