



US00D513286S

(12) **United States Design Patent**
Panatta

(10) **Patent No.: US D513,286 S**

(45) **Date of Patent: ** Dec. 27, 2005**

(54) **BODY-BUILDING MACHINE**

6,394,936 B1 * 5/2002 Voris 482/100

(76) **Inventor: Rodolfo Panatta**, Via Madonna della Fonte, 2, 62021-Apiro (MC) (IT)

(**) **Term: 14 Years**

(21) **Appl. No.: 29/197,984**

(22) **Filed: Jan. 23, 2004**

(51) **LOC (6) Cl. 21-02**

(52) **U.S. Cl. D21/676**

(58) **Field of Search** D21/662, 673, D21/674, 675, 676; 482/93, 94, 95, 97, 98, 99, 100, 101, 133, 134, 135, 137, 138

(56) **References Cited**

U.S. PATENT DOCUMENTS

D239,303 S	*	3/1976	Clarke	D21/675
D239,399 S	*	3/1976	Clarke	D21/675
4,949,951 A	*	8/1990	Deola	482/138
D321,026 S	*	10/1991	Jones	D21/676
5,342,270 A	*	8/1994	Jones	482/98
5,620,402 A	*	4/1997	Simonson	482/100
D439,939 S	*	4/2001	Batca et al.	D21/676
D440,610 S	*	4/2001	Webber et al.	D21/675

OTHER PUBLICATIONS

Gopher Catalog, Fall 2003, pp. 230 and 240, Power Source Selectorized Machines.*

* cited by examiner

Primary Examiner—Philip S. Hyder

(74) *Attorney, Agent, or Firm*—Armstrong, Kratz, Quintos, Hanson & Brooks, LLP

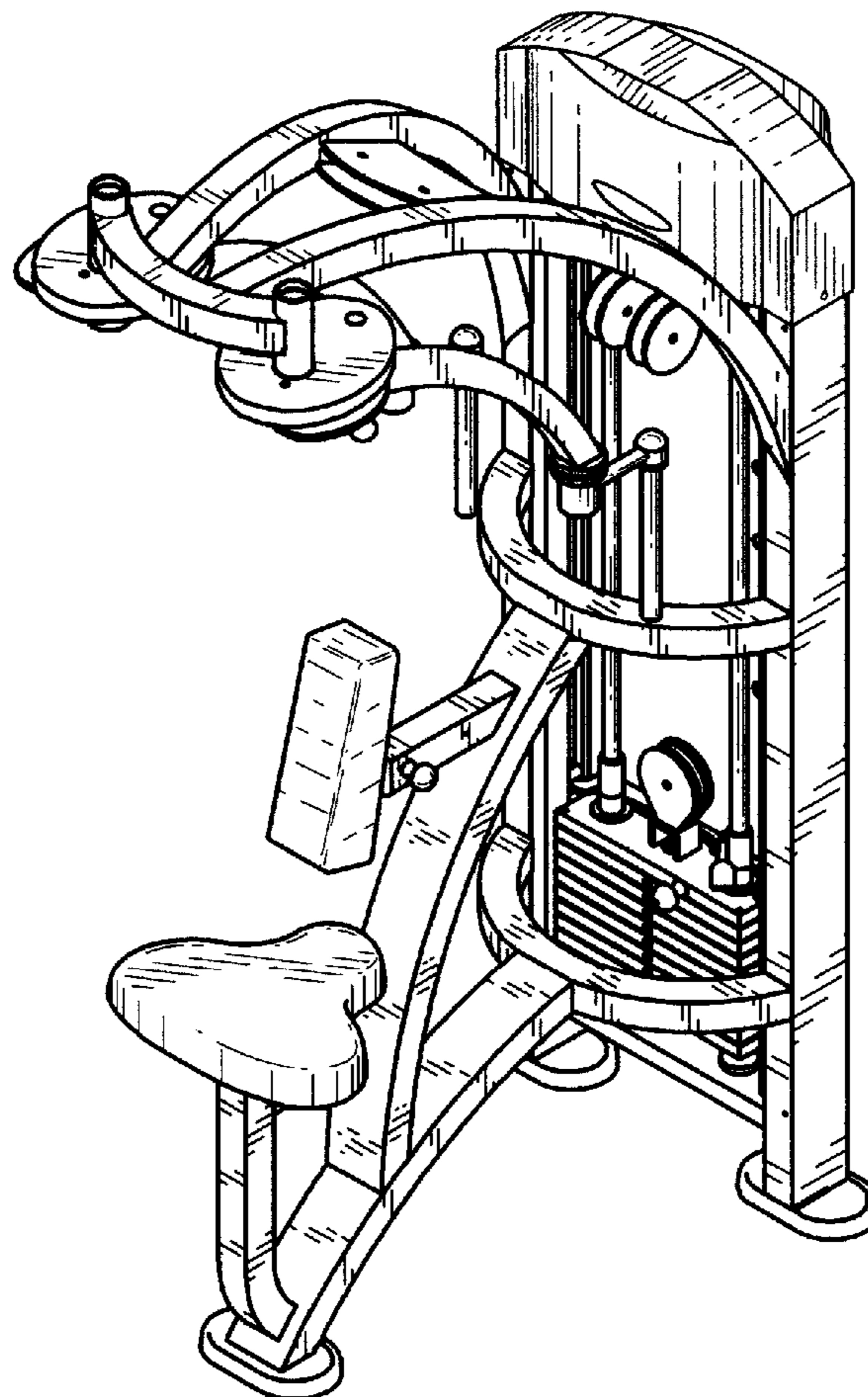
(57) **CLAIM**

I claim the ornamental design for a body-building machine, as shown and described.

DESCRIPTION

FIG. 1 is a front elevational view thereof.
FIG. 2 is a right side elevational view thereof.
FIG. 3 is a left side elevational view thereof.
FIG. 4 is a top plan elevational view thereof.
FIG. 5 is a bottom plan elevational view thereof.
FIG. 6 is a rear elevational view thereof; and,
FIG. 7 is a right perspective view of a body-building machine.

1 Claim, 7 Drawing Sheets



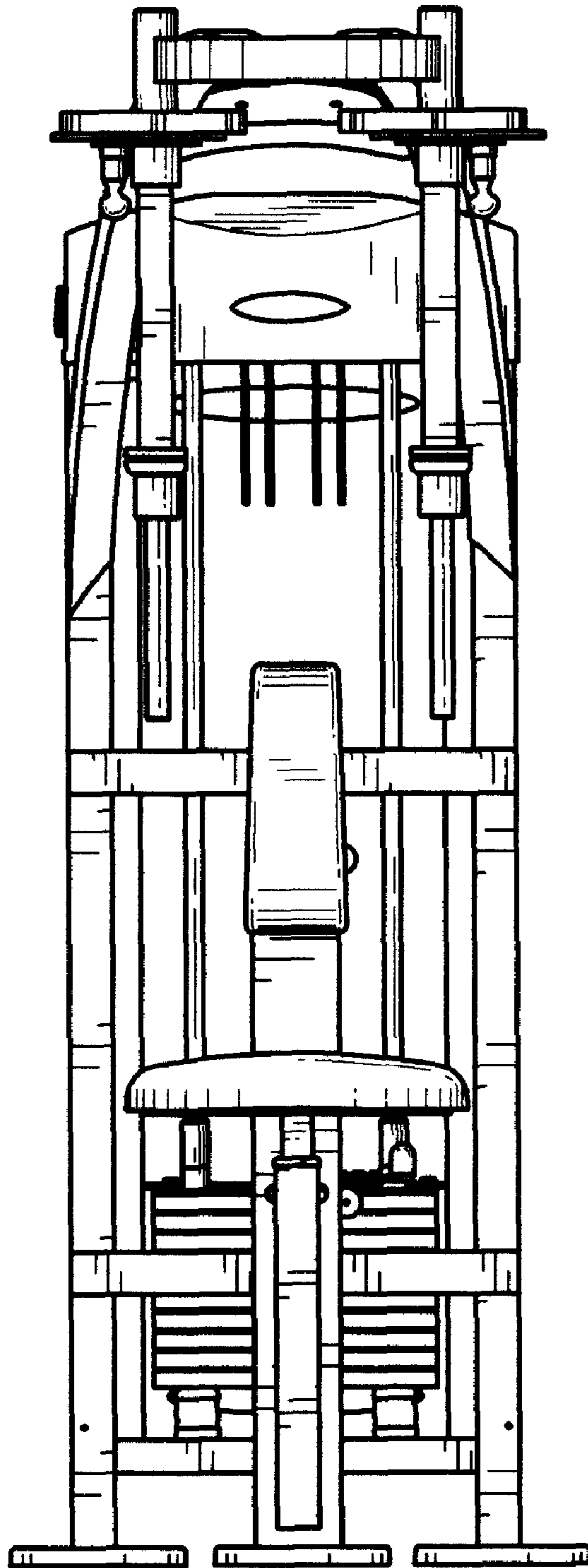


FIG. 1

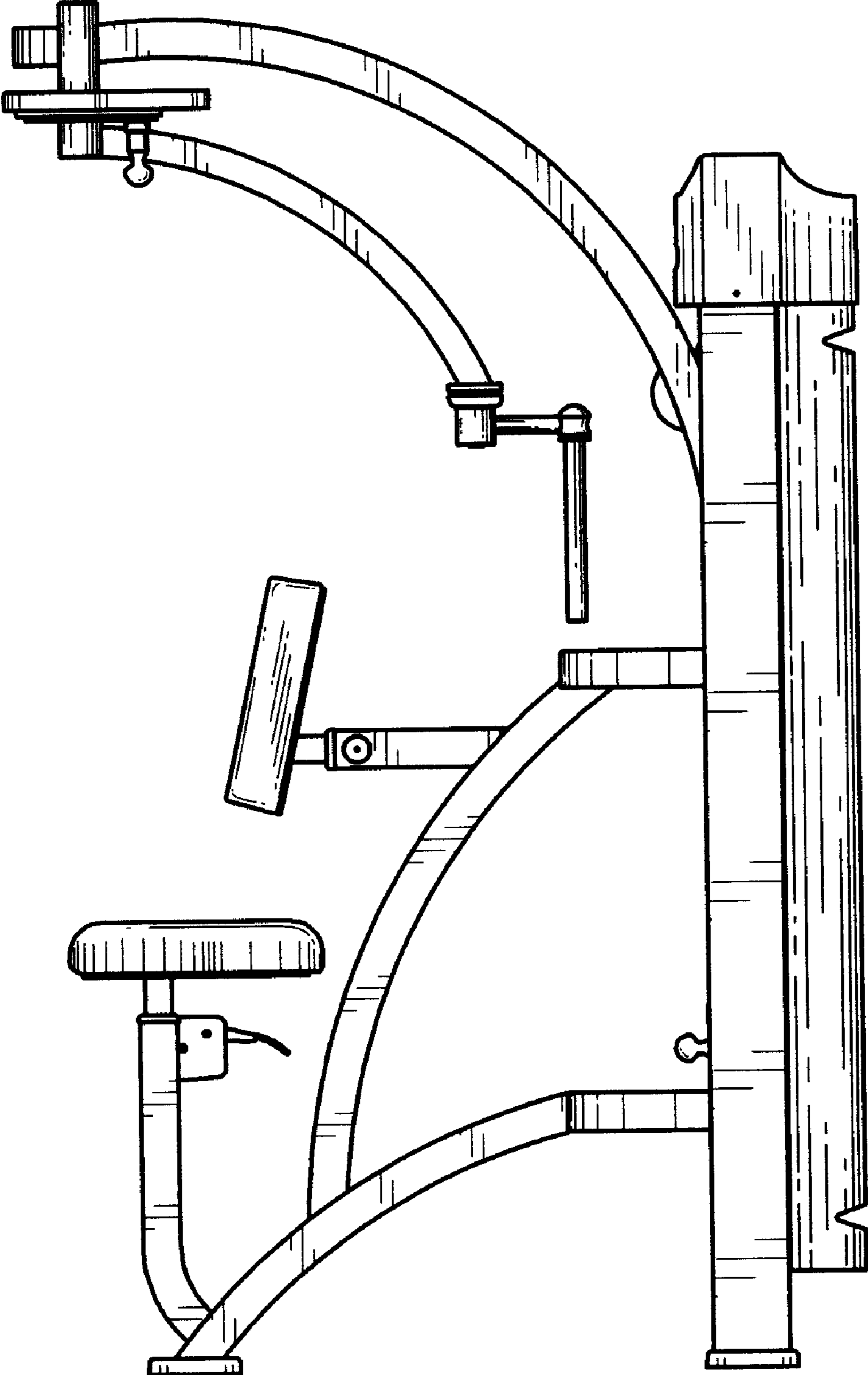


FIG. 2

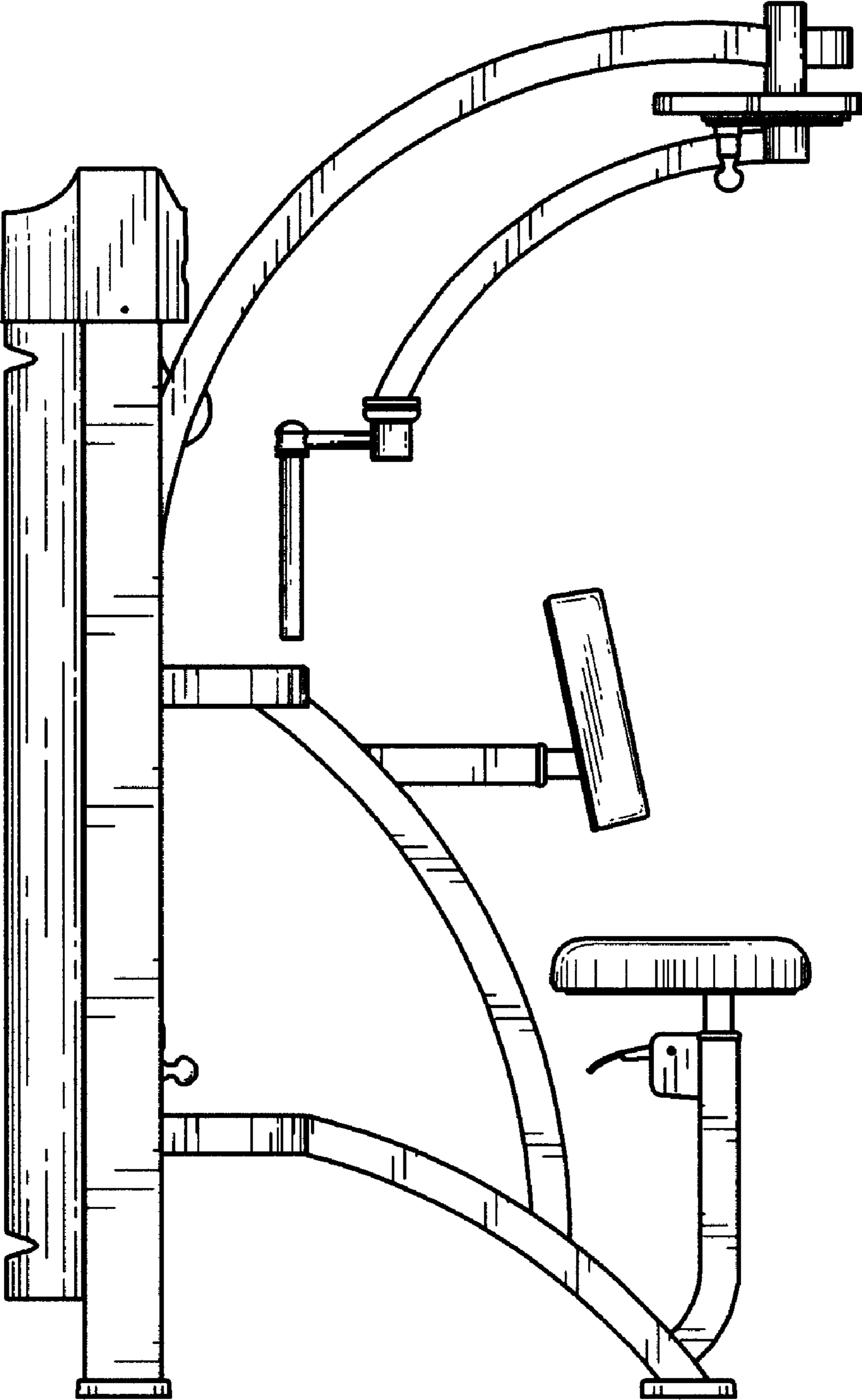


FIG. 3

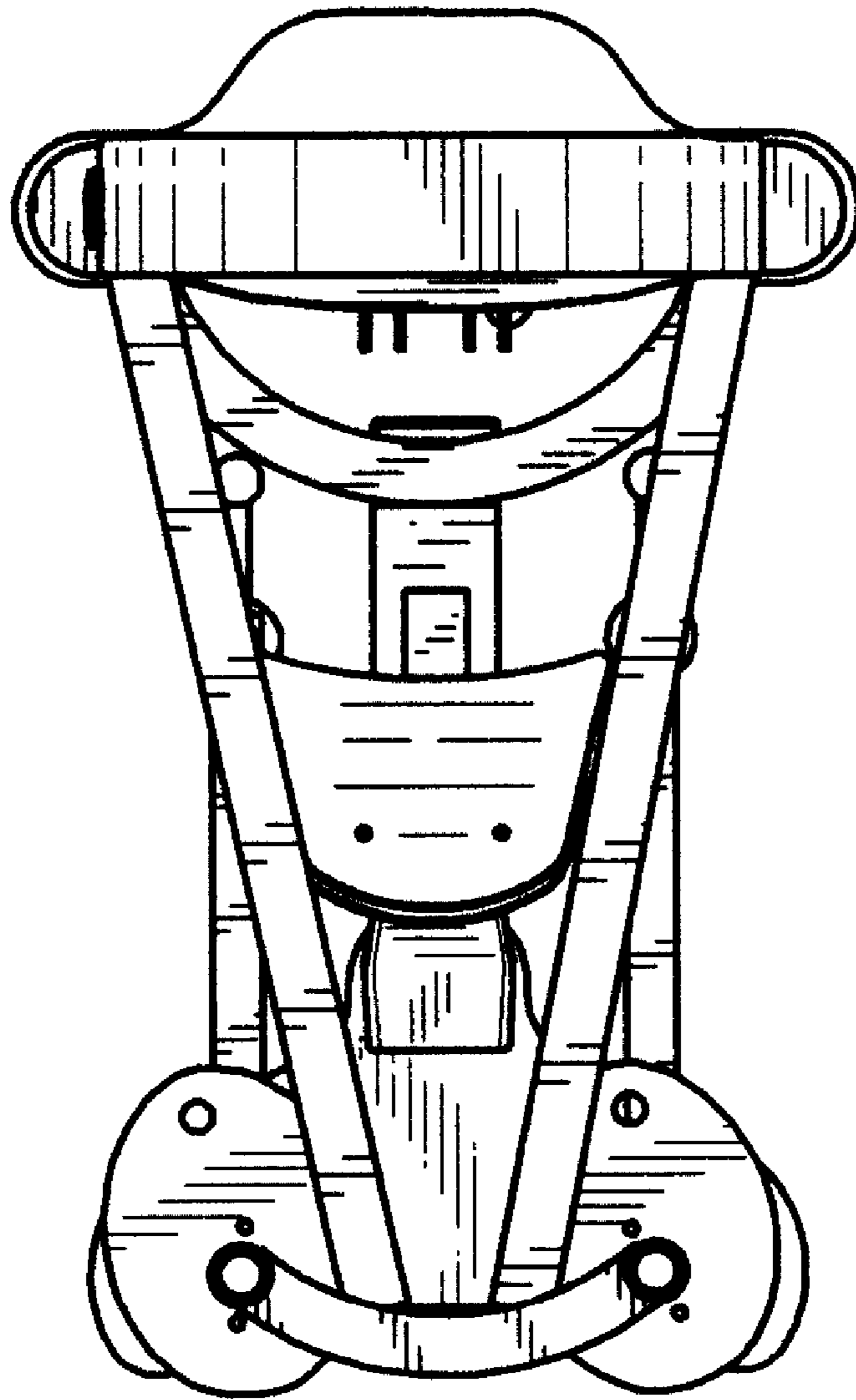


FIG. 4

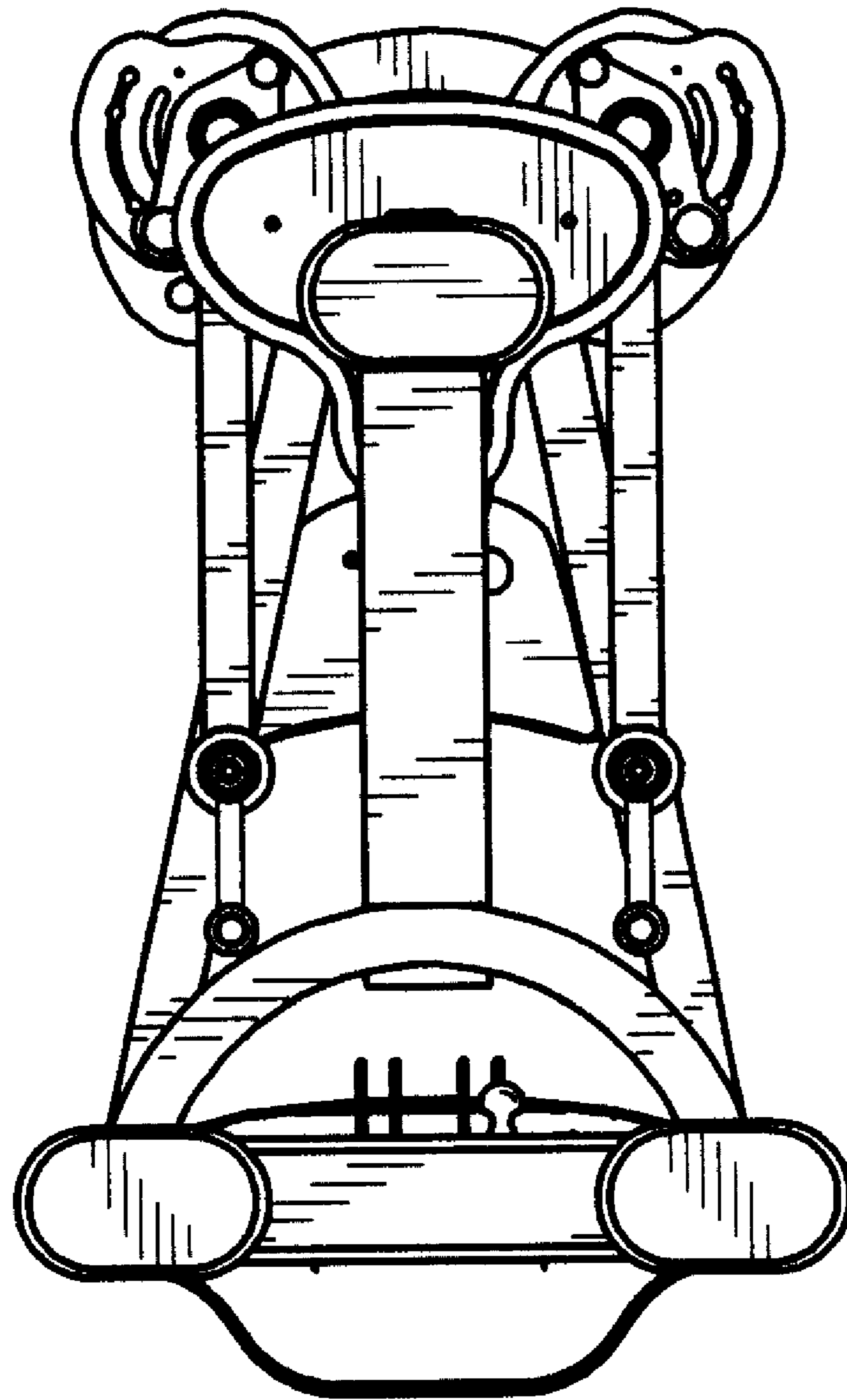


FIG. 5

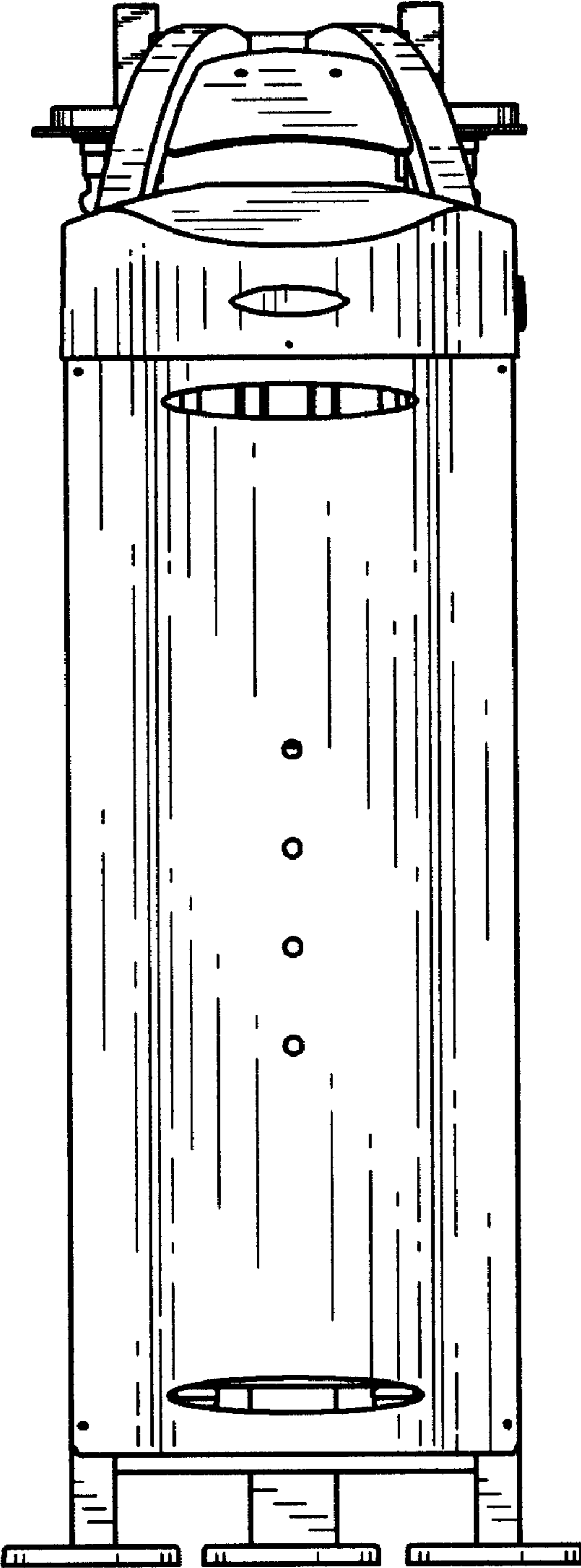


FIG. 6

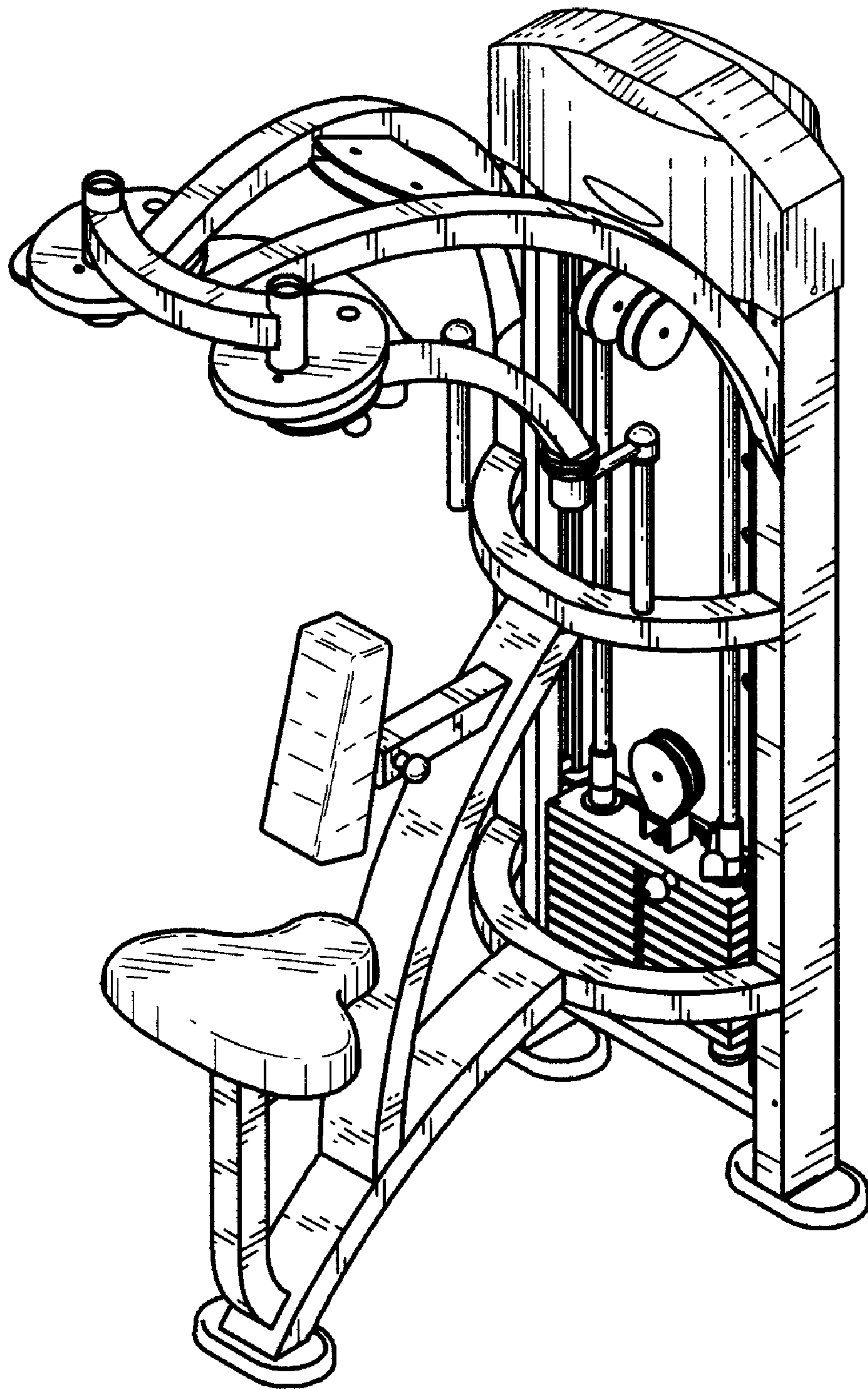


FIG. 7