



US00D513283S

(12) **United States Design Patent** (10) **Patent No.:** **US D513,283 S**
Wampler et al. (45) **Date of Patent:** **** Dec. 27, 2005**

(54) **FOLDABLE BOX TOY**

(76) Inventors: **Tracy L. Wampler**, 46 Boyd Rd., Hudson, NH (US) 03051; **Cheri L. McManus**, 67 Galloping Hill Rd., Hopkinton, NH (US) 03229; **Gary R. Wampler**, 4 Hunter La., Hudson, NH (US) 03051-5013

(**) Term: **14 Years**

(21) Appl. No.: **29/177,792**

(22) Filed: **Mar. 14, 2003**

(51) **LOC (6) Cl.** **21-01**

(52) **U.S. Cl.** **D21/562; D21/533; D21/433; D21/398; D9/672; D9/433; D11/142; D11/163**

(58) **Field of Search** **D11/117-164; D3/271.1, 271.11, 271.12; D6/331-333, 345, 351, 353, 358, 368, 383, 388, 392, 397, 404, 449, 429, 450, 475, 490, 506; D9/672-677, 702, 711, 721, 414, 431-434, 444, 451; D19/34.3, 95-97; D20/35; D21/398, 424, 425, 427, 433, 434, 483, 484, 489, 490, 492, 493, 495, 501, 502, 504, 519-522, 533-562, 833, 815, 816, 505; D99/30, 42; 446/71, 75-80, 85, 93, 94, 108, 109, 482, 487, 488; 428/7-9, 12, 542.6; 206/457; 229/103, 104, 110, 116.4, 117.01, 185.1, 922**

(56) **References Cited**

U.S. PATENT DOCUMENTS

D30,155 S * 2/1899 Kingsbury D21/562

(Continued)

Primary Examiner—Catherine Tuttle

(74) *Attorney, Agent, or Firm*—Davis & Bujold, P.L.L.C.

(57) **CLAIM**

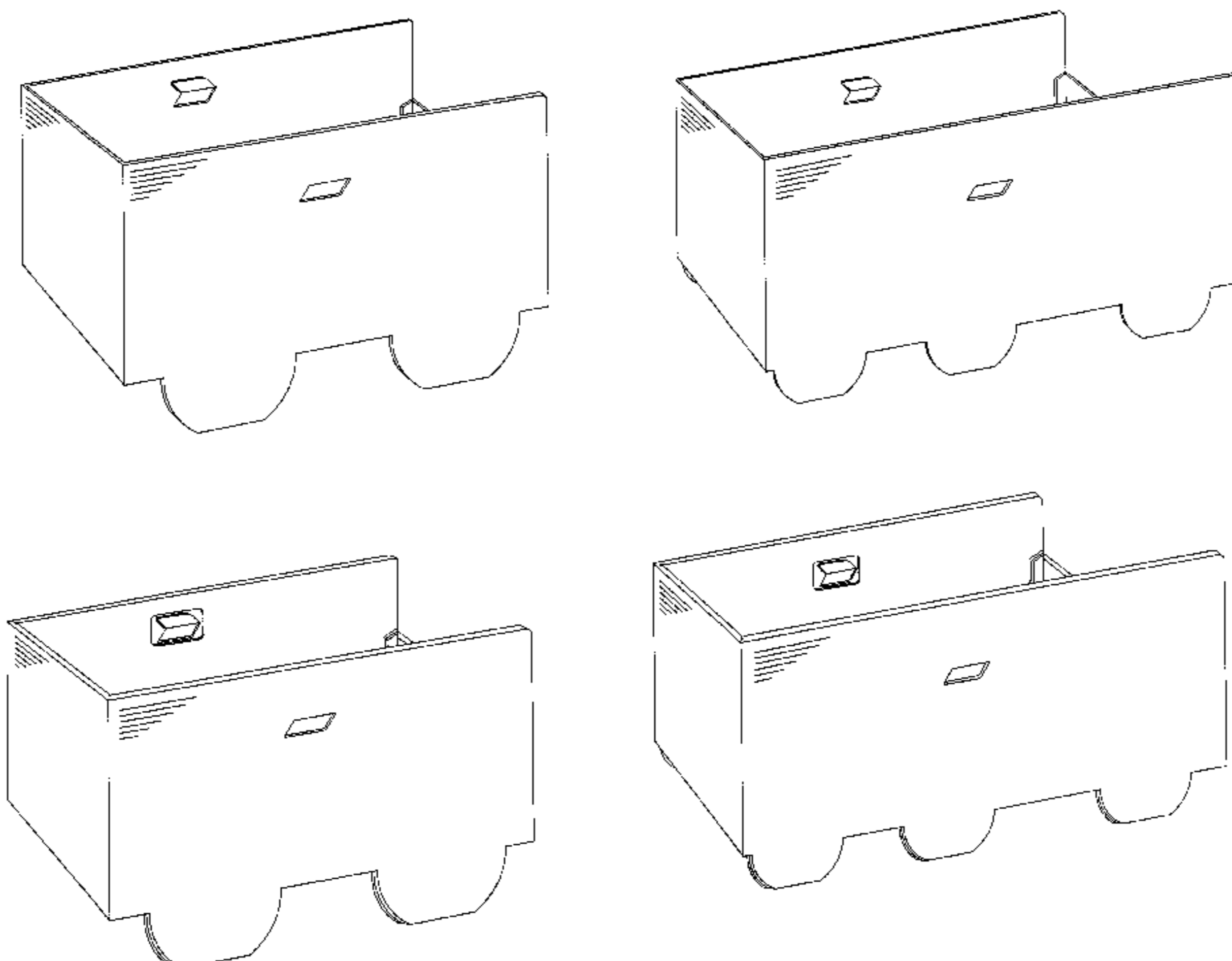
We claim the ornamental design for a foldable box toy, as shown and described.

DESCRIPTION

FIG. 1 is a perspective view of a first embodiment of a foldable box toy embodying our new design in its folded state;

FIG. 2 is a front view thereof;
FIG. 3 is a left side view thereof;
FIG. 4 is a rear view thereof;
FIG. 5 is a top view thereof;
FIG. 6 is a bottom view thereof;
FIG. 7 is a right side view thereof;
FIG. 8 is a reduced scale plan view of the first embodiment of the design in its unfolded state;
FIG. 9 is a perspective view of a second embodiment of the design in its folded state;
FIG. 10 is a front view thereof;
FIG. 11 is a left side view thereof;
FIG. 12 is a rear view thereof;
FIG. 13 is a top view thereof;
FIG. 14 is a bottom view thereof;
FIG. 15 is a right side view thereof;
FIG. 16 is a reduced scale plan view of the second embodiment of the design in its unfolded state;
FIG. 17 is a perspective view of a third embodiment of the design in its folded state;
FIG. 18 is a front view thereof;
FIG. 19 is a left side view thereof;
FIG. 20 is a rear view thereof;
FIG. 21 is a top view thereof;
FIG. 22 is a bottom view thereof;
FIG. 23 is a right side view thereof;
FIG. 24 is a reduced scale plan view of the third embodiment of the design in its unfolded state;
FIG. 25 is a perspective view of a fourth embodiment of the design in its folded state;
FIG. 26 is a front view thereof;
FIG. 27 is a left side view thereof;
FIG. 28 is a rear view thereof;
FIG. 29 is a top view thereof;
FIG. 30 is a bottom view thereof;
FIG. 31 is a right side view thereof; and,
FIG. 32 is a reduced scale plan view of the fourth embodiment of the design in its unfolded state.

1 Claim, 16 Drawing Sheets



US D513,283 S

Page 2

U.S. PATENT DOCUMENTS

786,605 A *	4/1905	Scmalz	229/122.29	4,713,012 A *	12/1987	Poplawski et al.	434/373
1,898,208 A *	2/1933	Olsen, Jr. et al.	229/162.1	4,865,574 A *	9/1989	Kobayashi	446/72
2,028,377 A *	1/1936	Bernasconi	446/387	4,992,068 A *	2/1991	Conrad	446/85
D138,015 S *	6/1944	Gibson, Jr.	D21/558	D334,222 S *	3/1993	Krebs	D21/552
D167,095 S *	6/1952	Pennebaker	D9/672	5,358,172 A *	10/1994	Hollander et al.	229/103
3,099,443 A *	7/1963	Koch	5/99.1	D409,689 S *	5/1999	Sanchez-Muhlach	D21/540
4,643,349 A *	2/1987	Sheffer	229/116.4	D454,297 S *	3/2002	Davis	D9/676
4,661,082 A *	4/1987	Sheffer	446/488	2002/0111106 A1 *	8/2002	Bollman	446/71

* cited by examiner

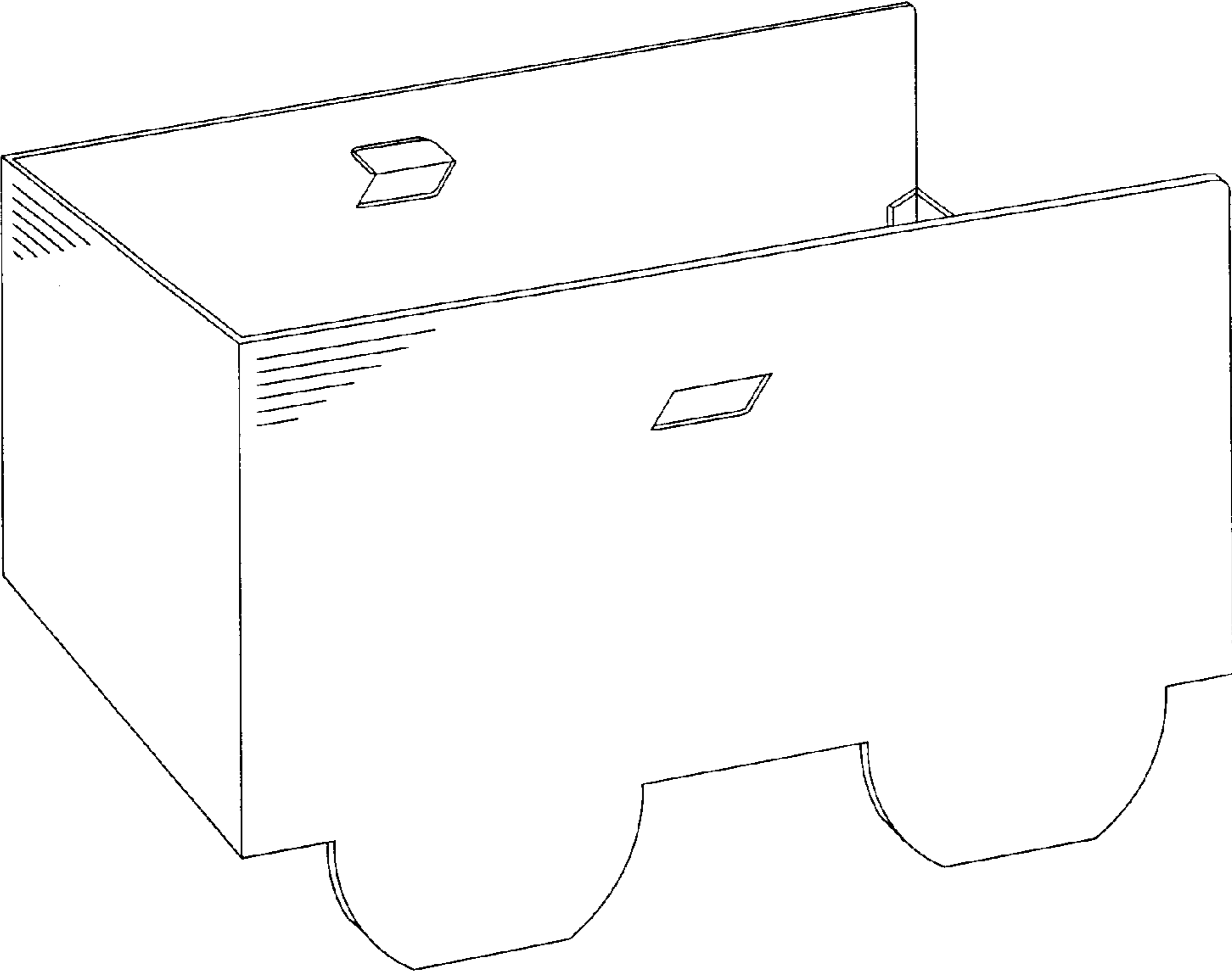


Fig. 1

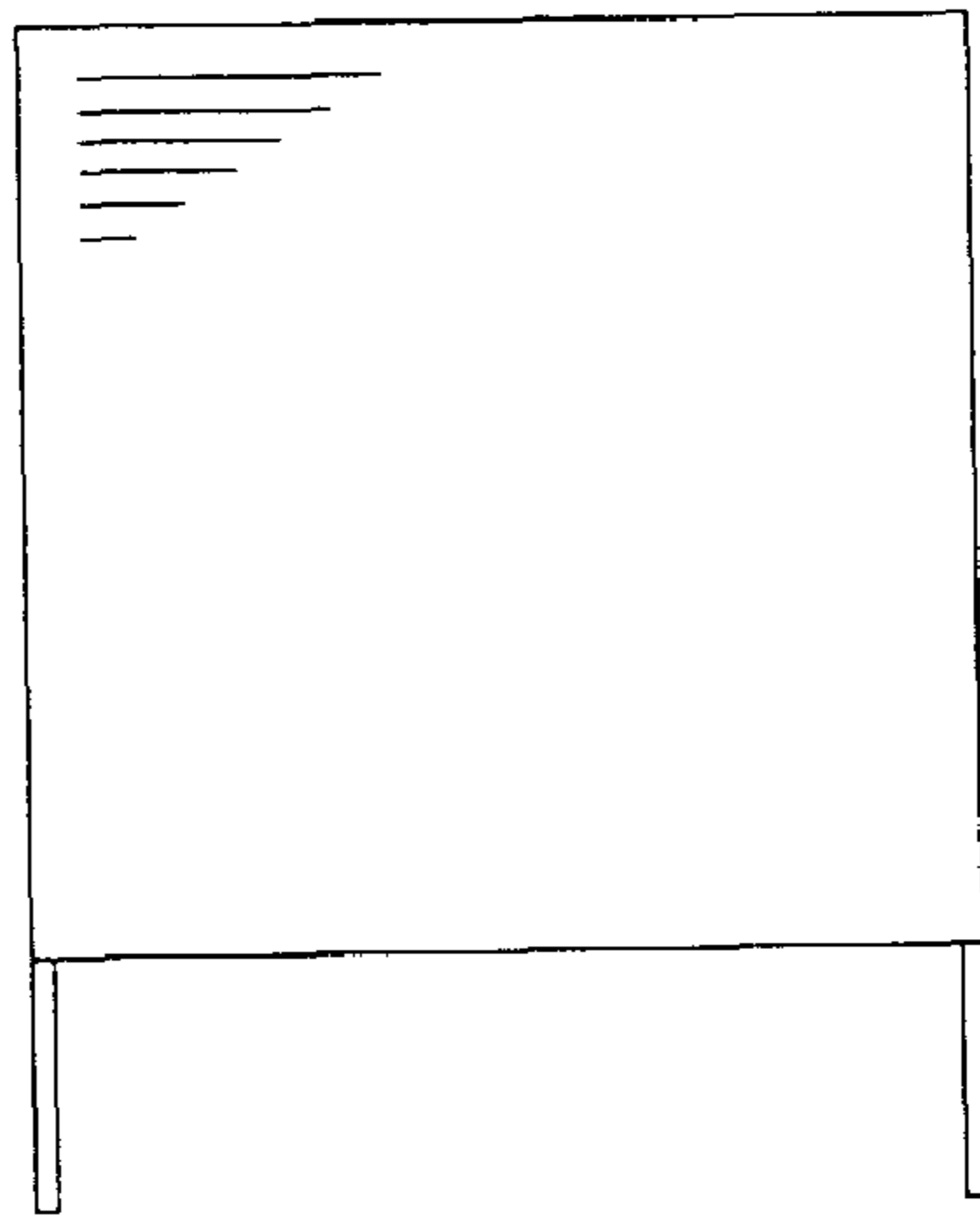


Fig. 2

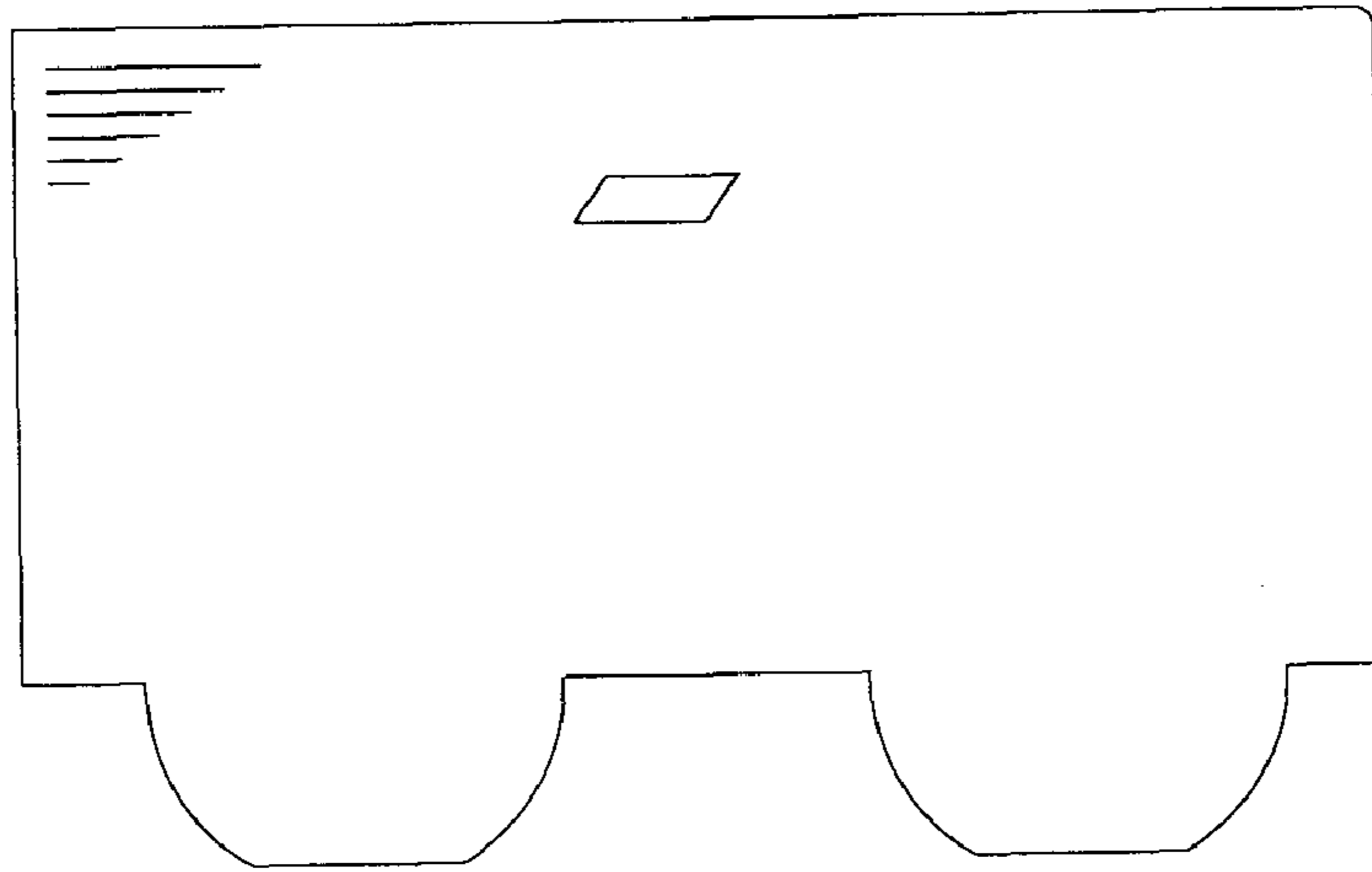


Fig. 3

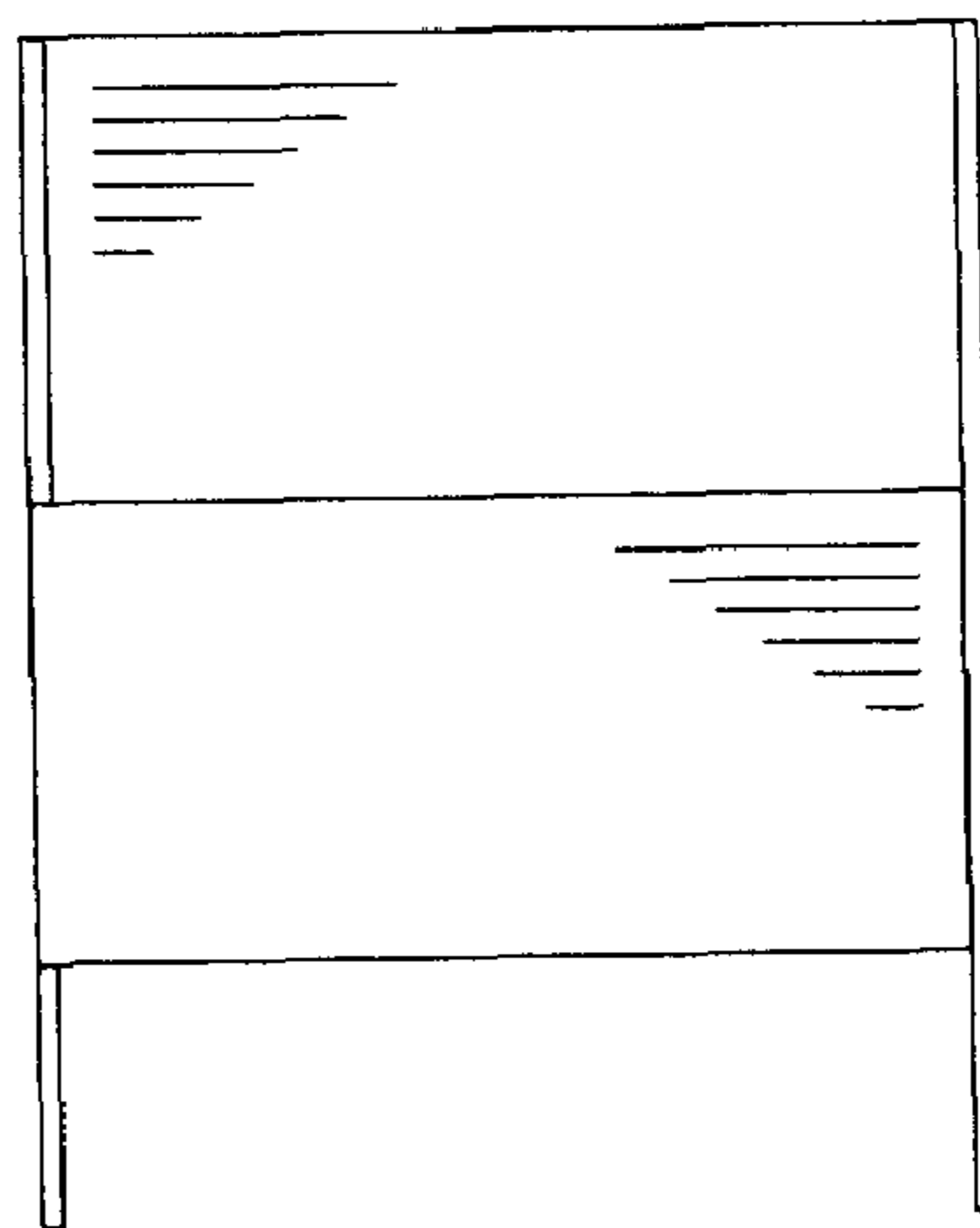


Fig. 4

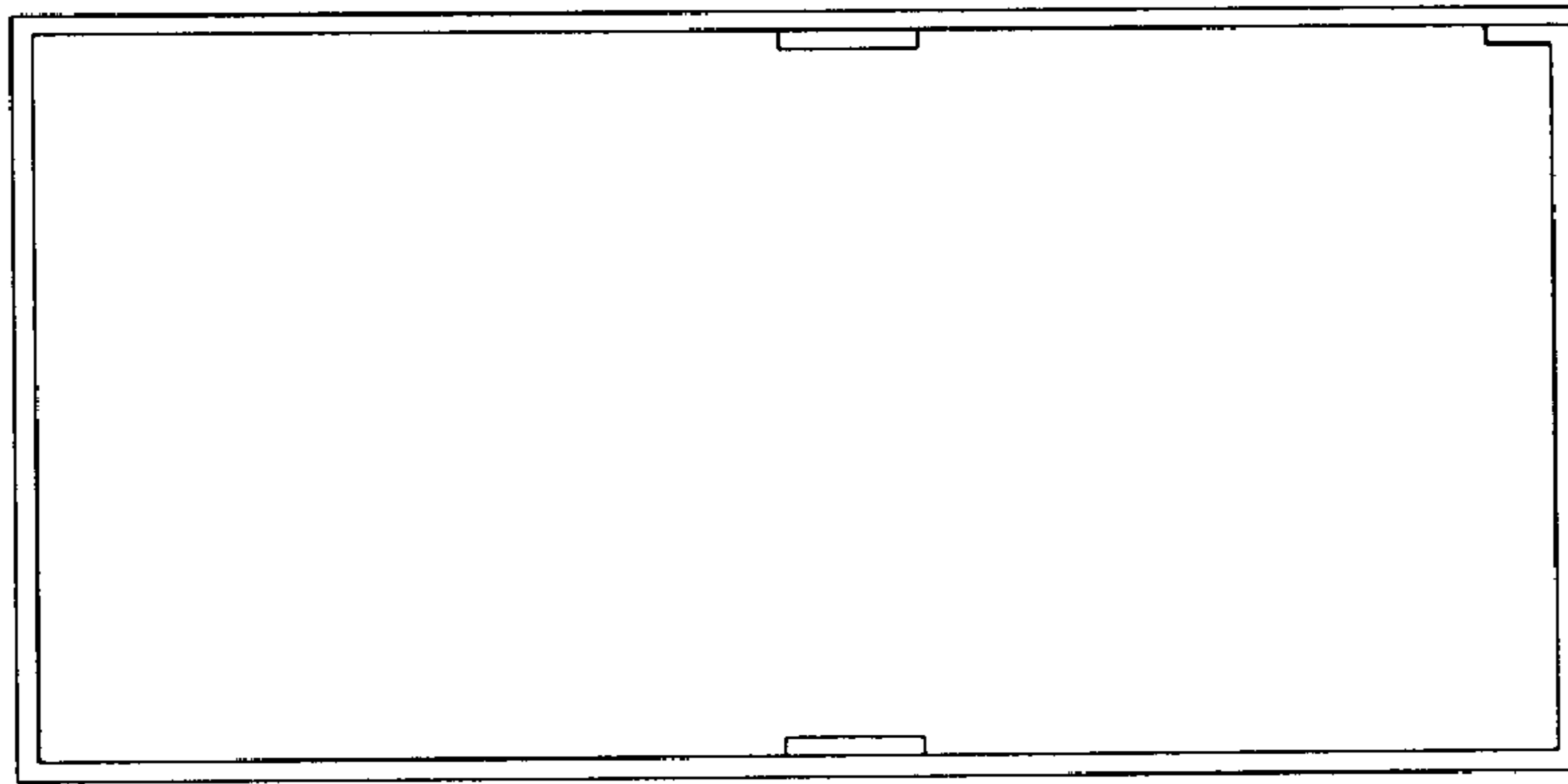


Fig. 5

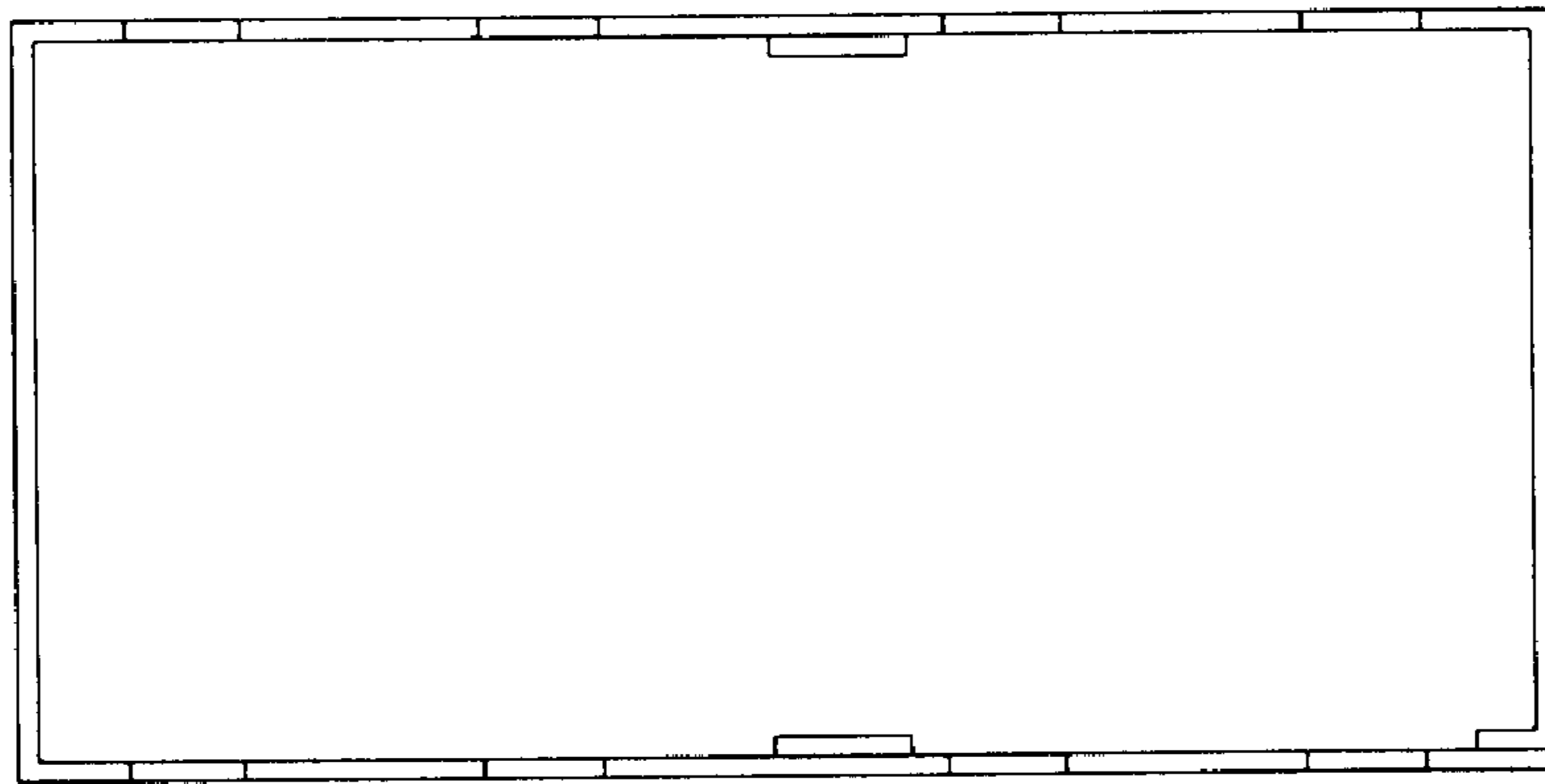


Fig. 6

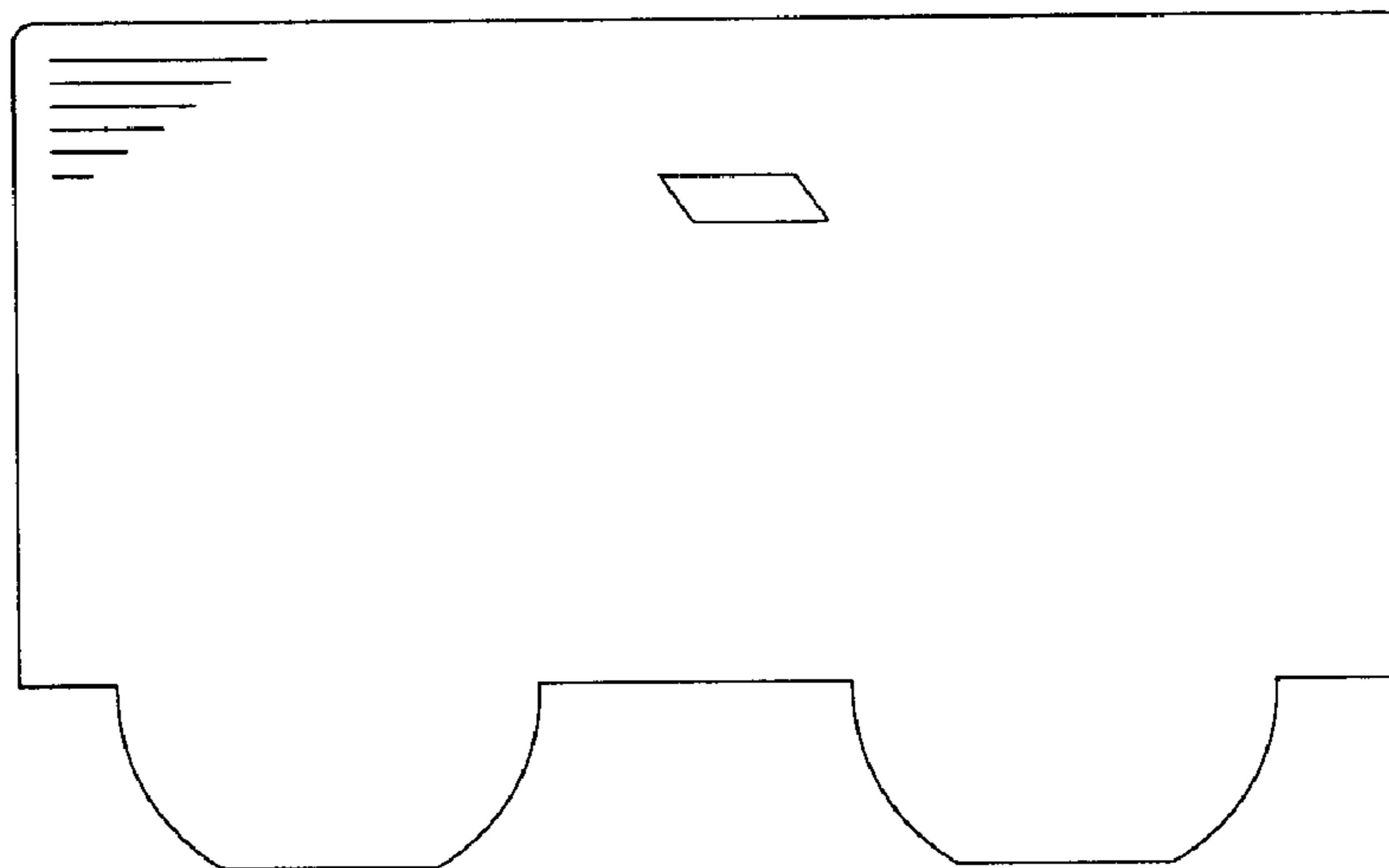


Fig. 7

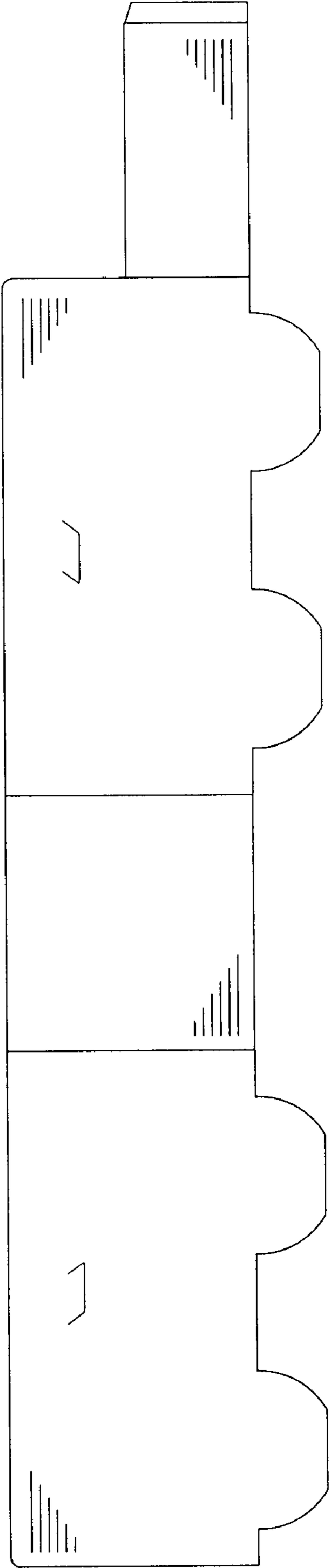


Fig. 8

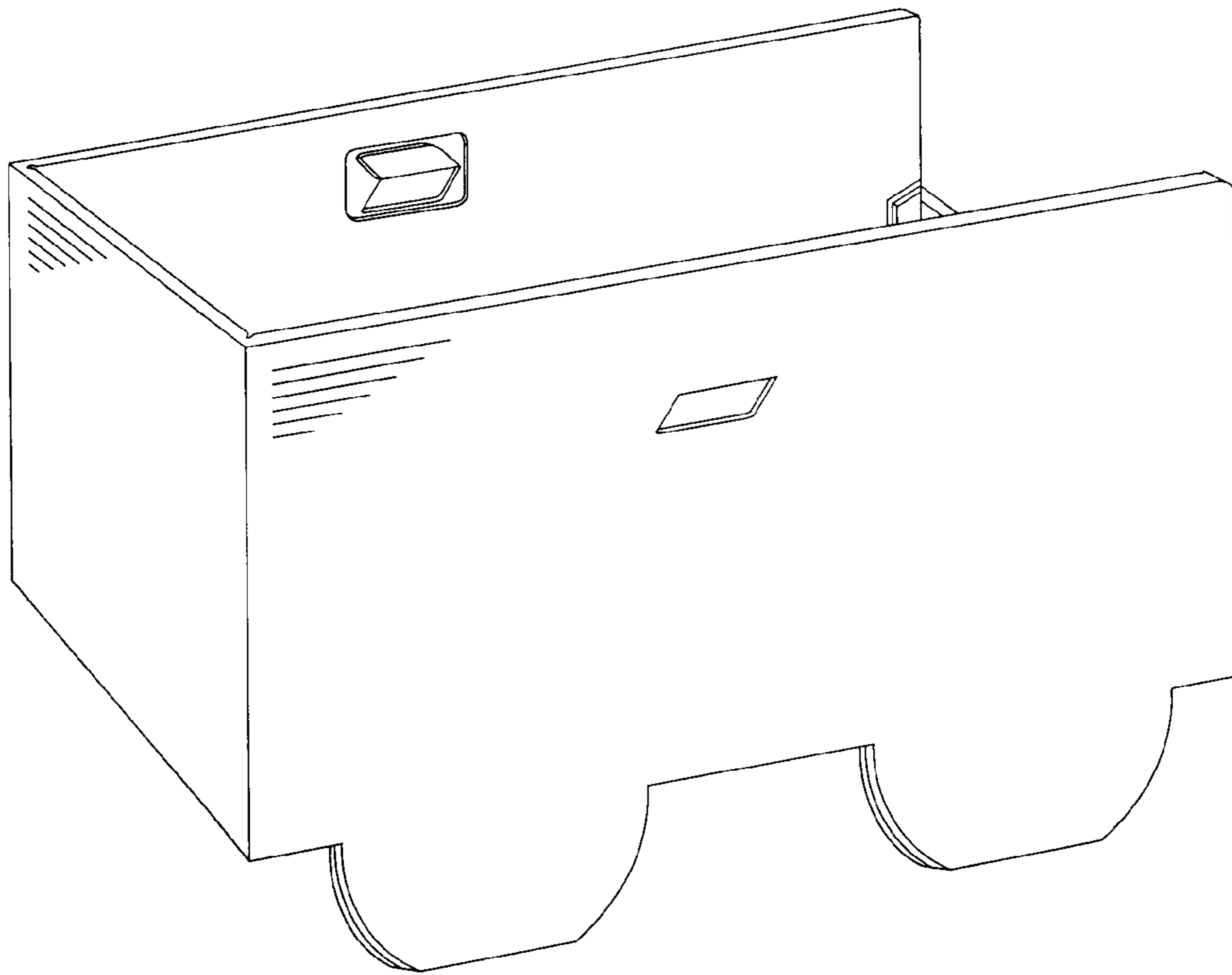


Fig. 9

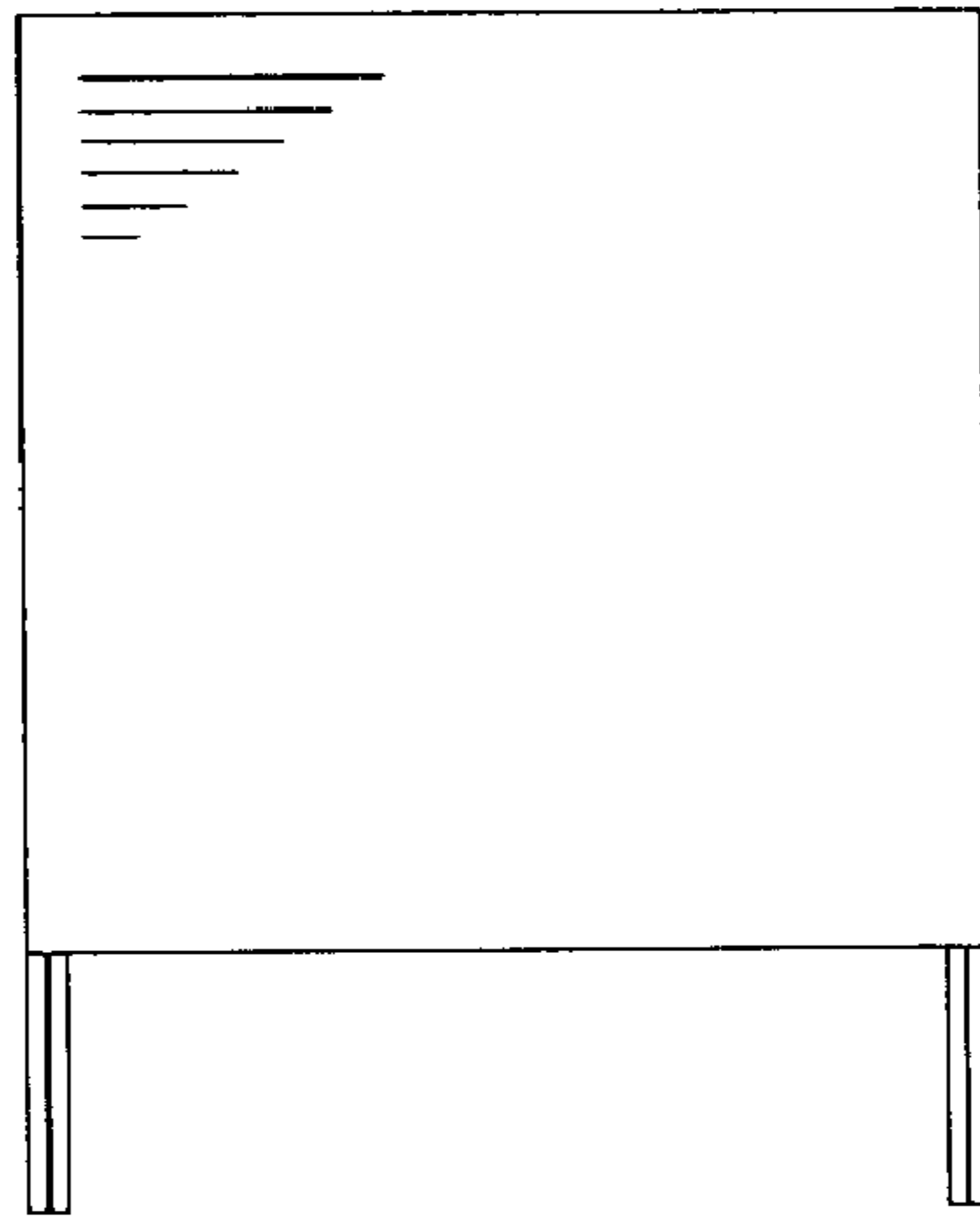


Fig. 10

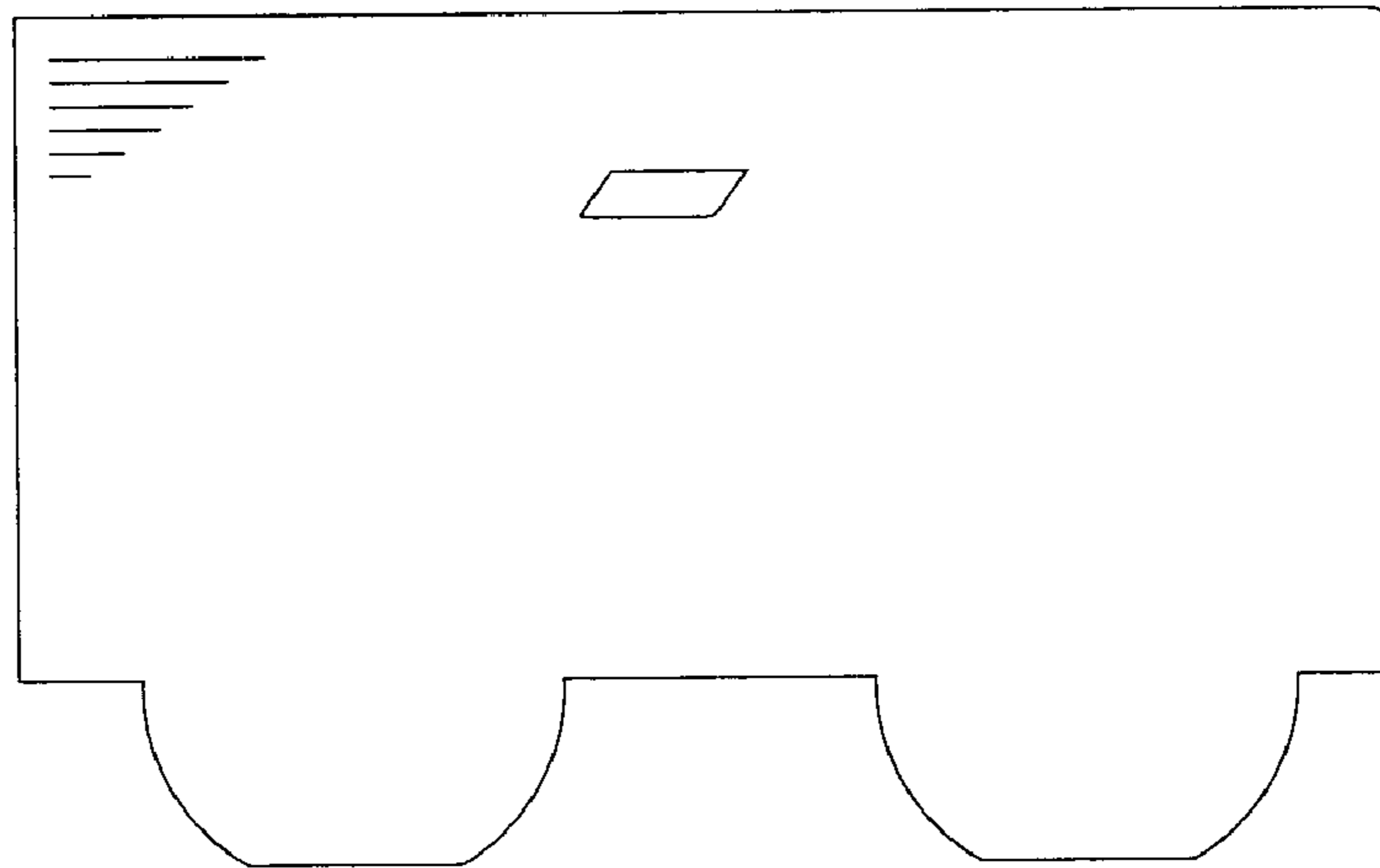


Fig. 11

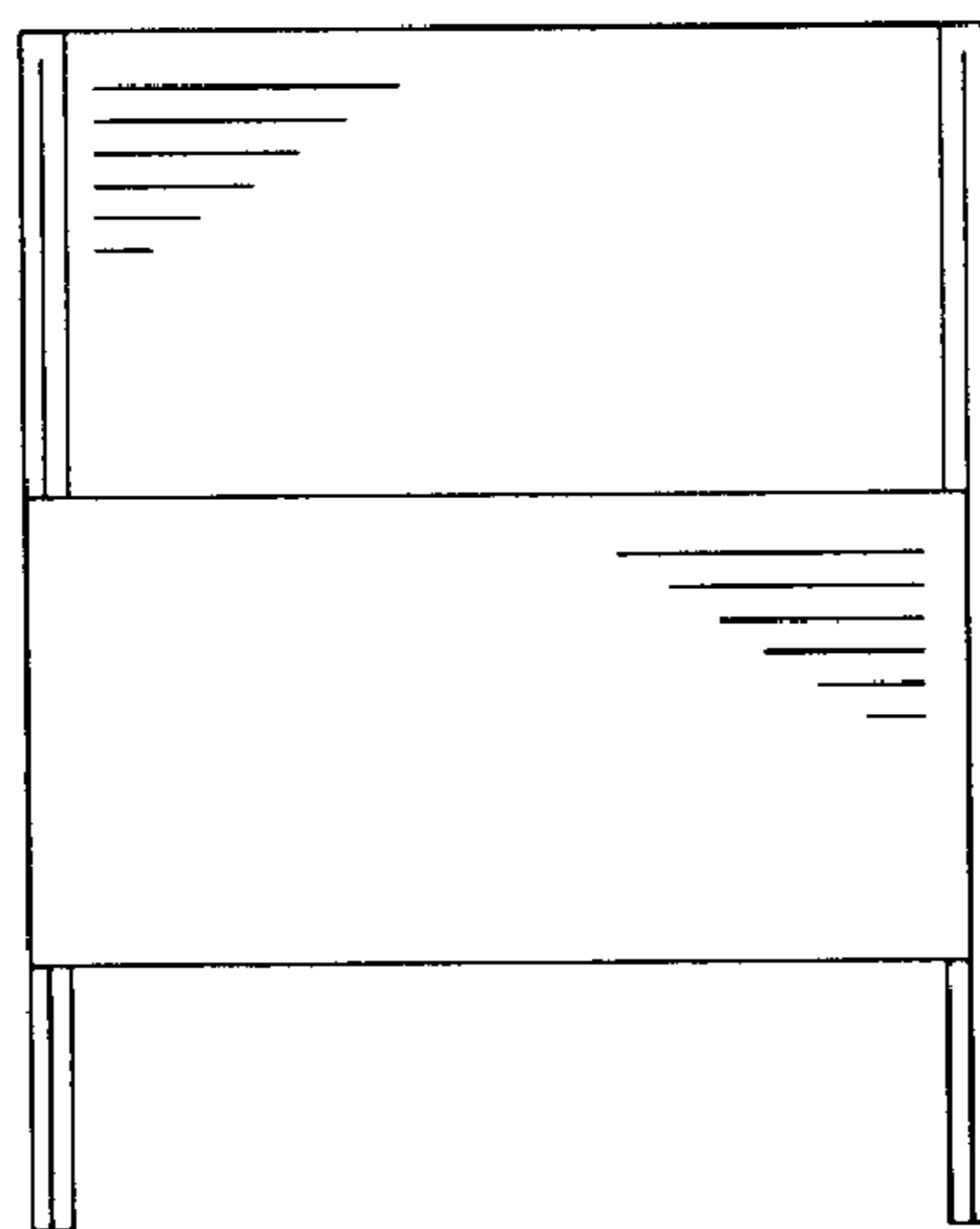


Fig. 12

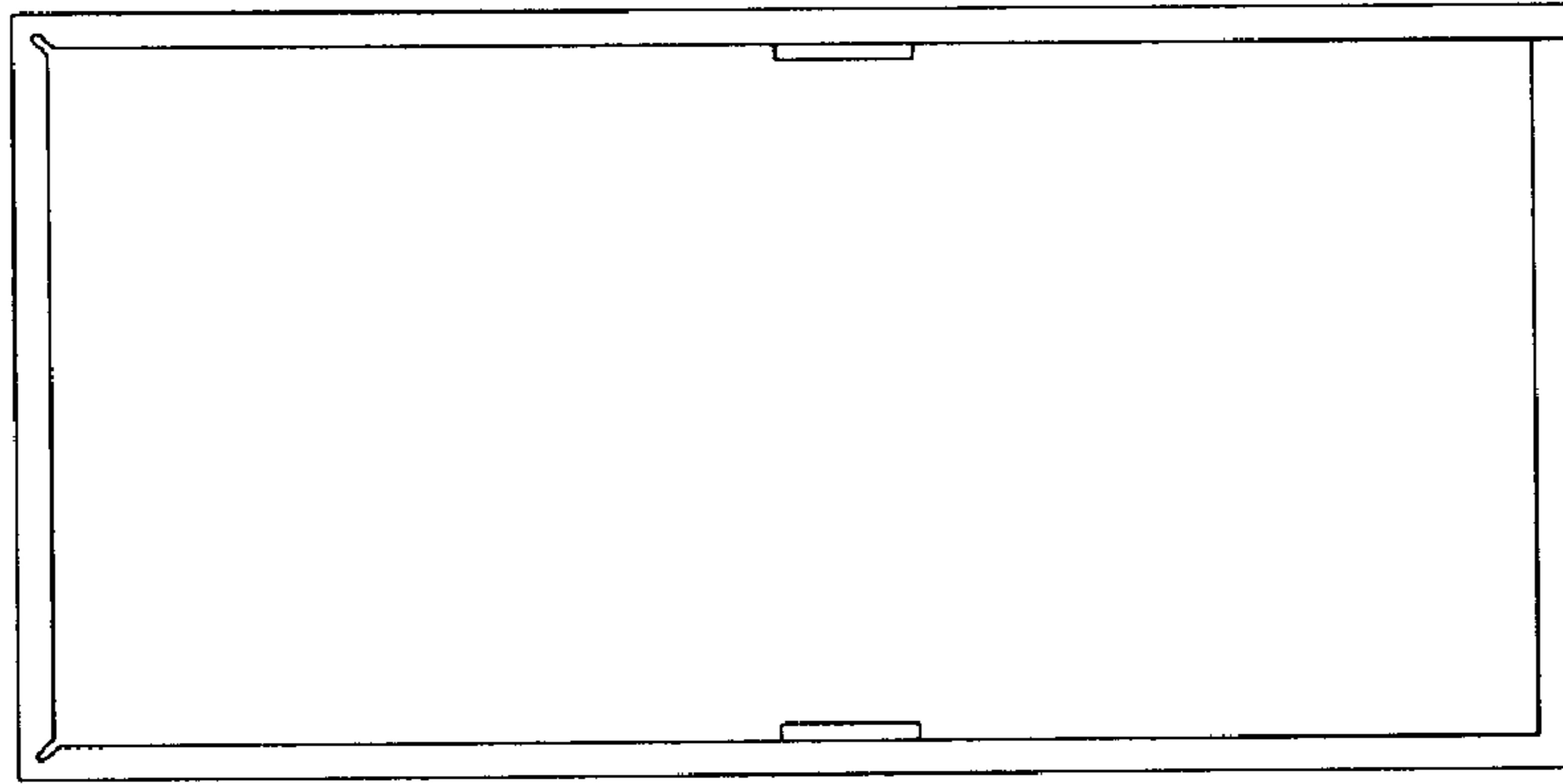


Fig. 13

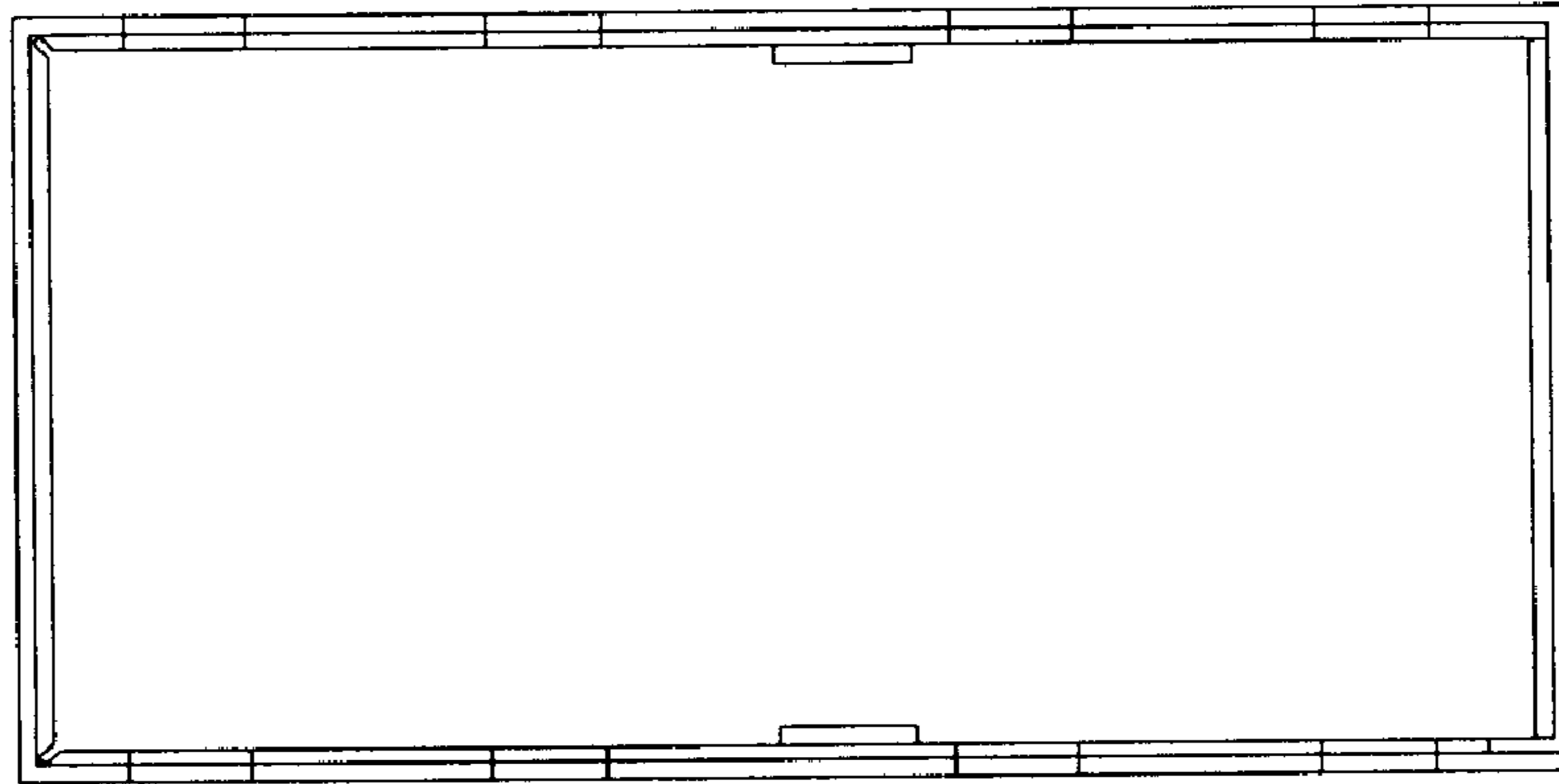


Fig. 14

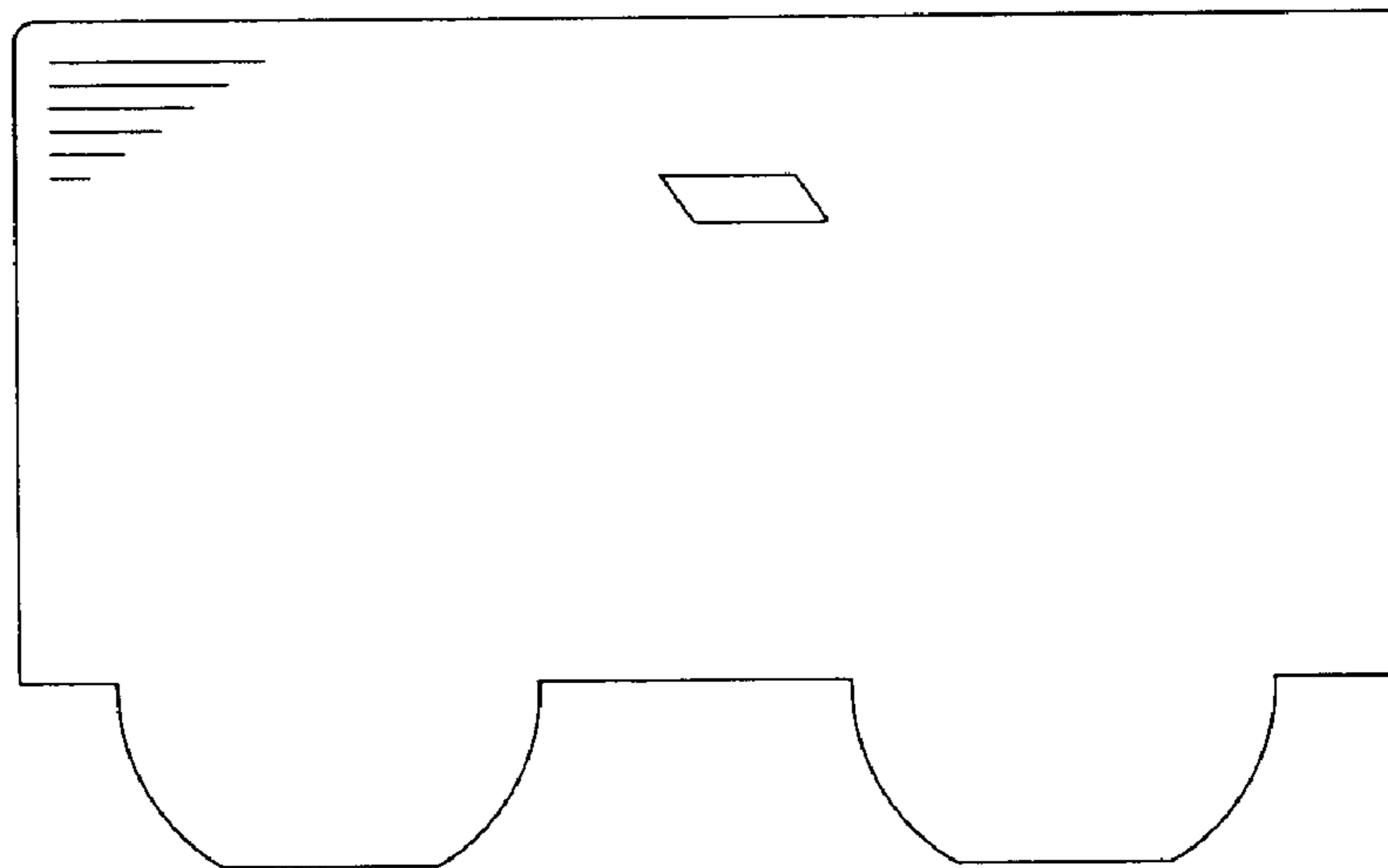


Fig. 15

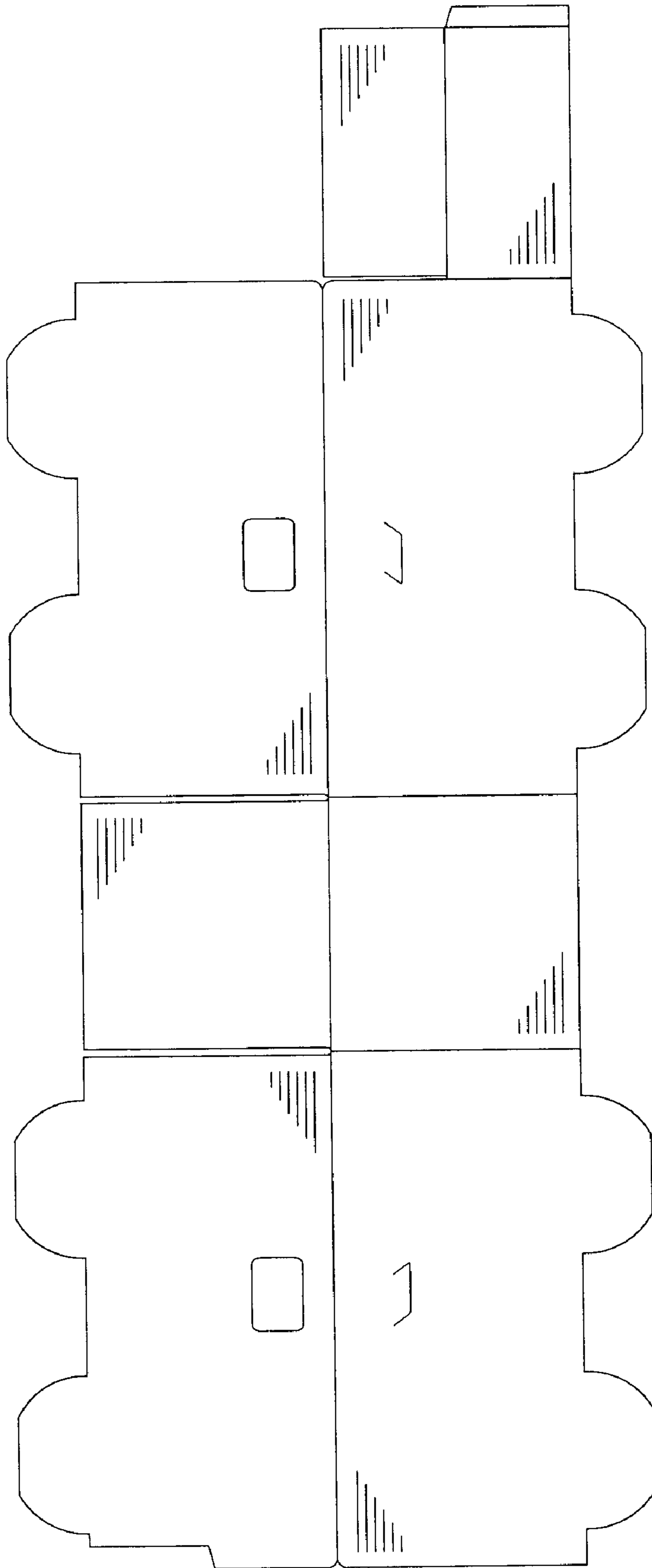


Fig. 16

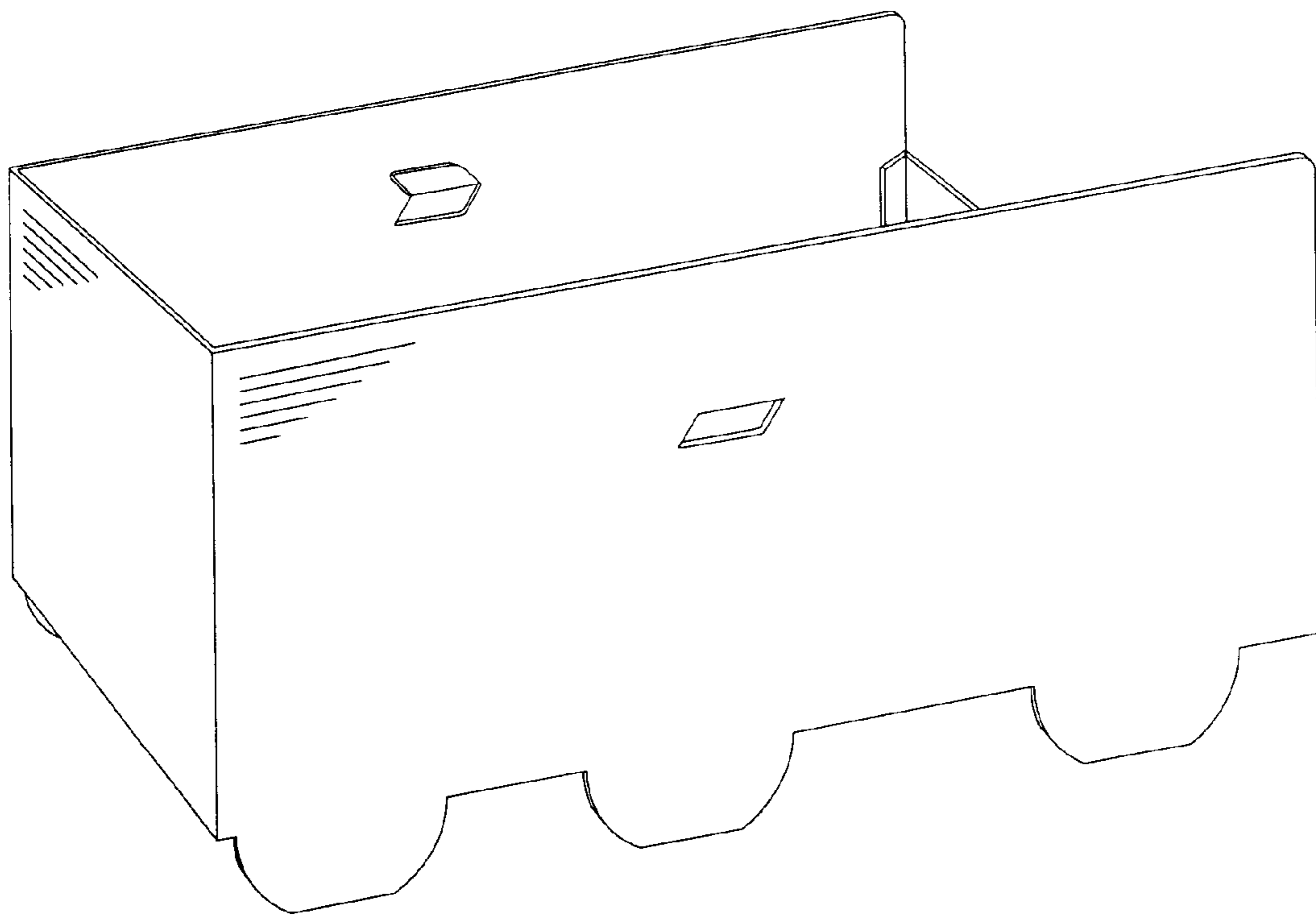


Fig. 17

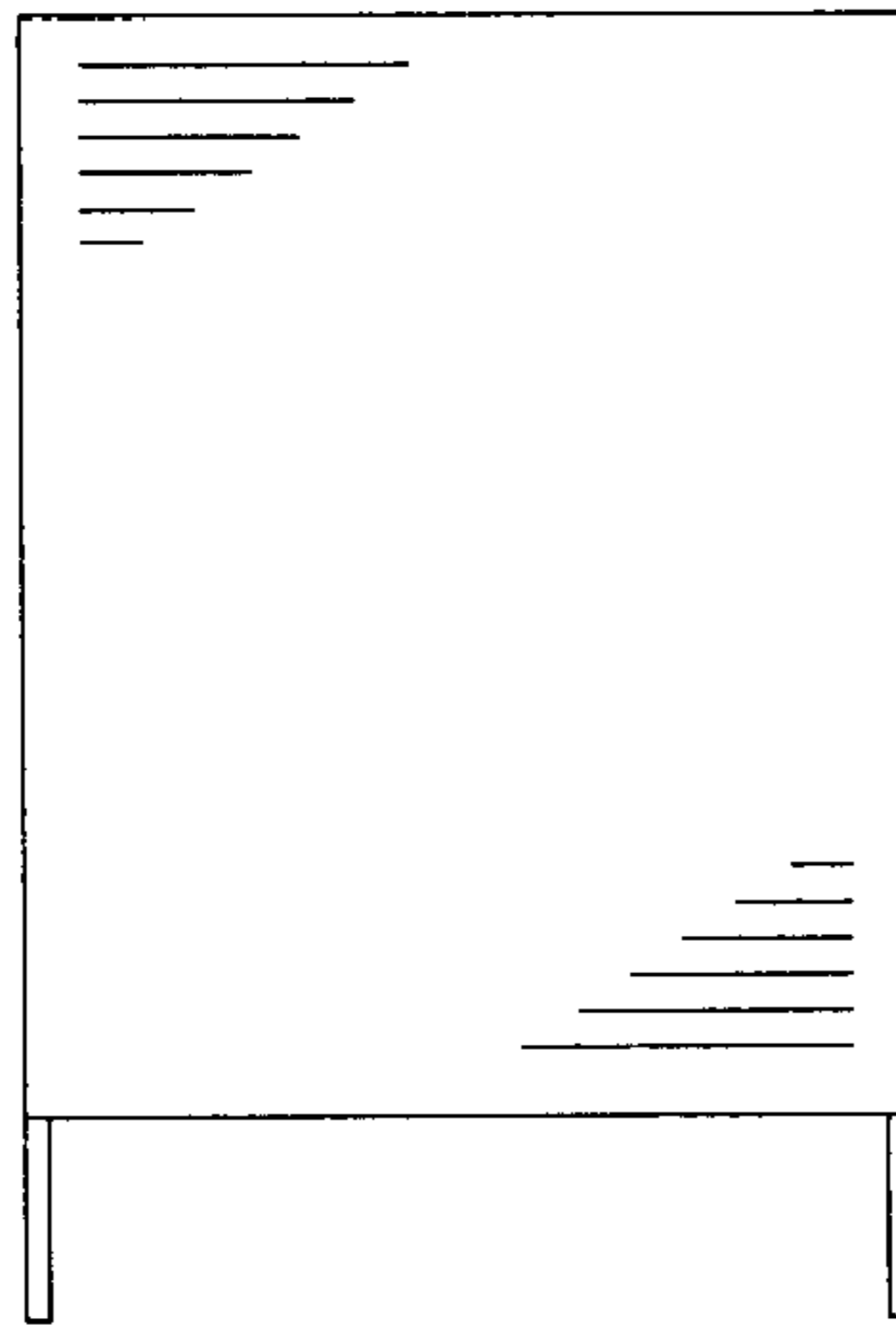


Fig. 18

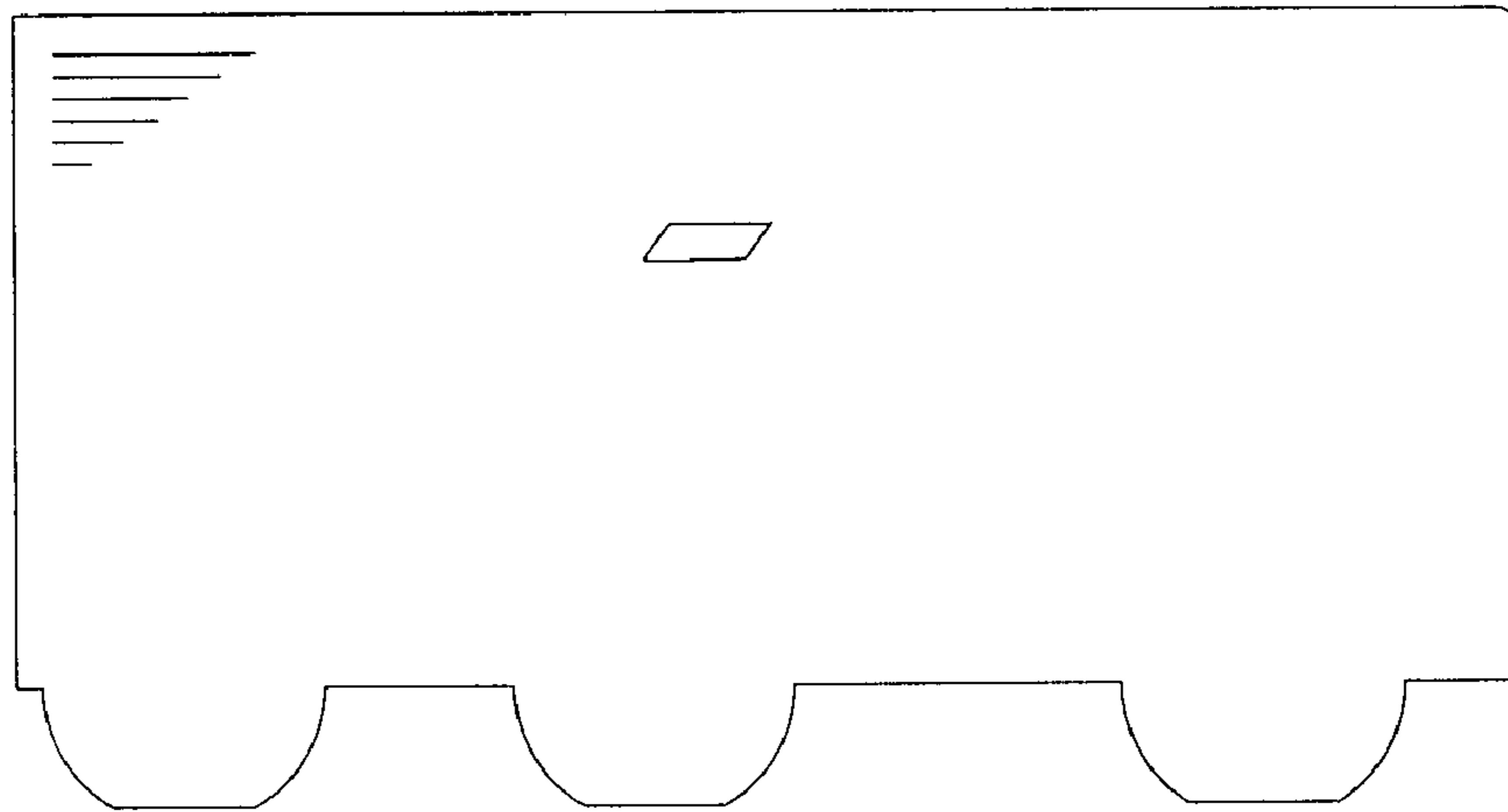


Fig. 19

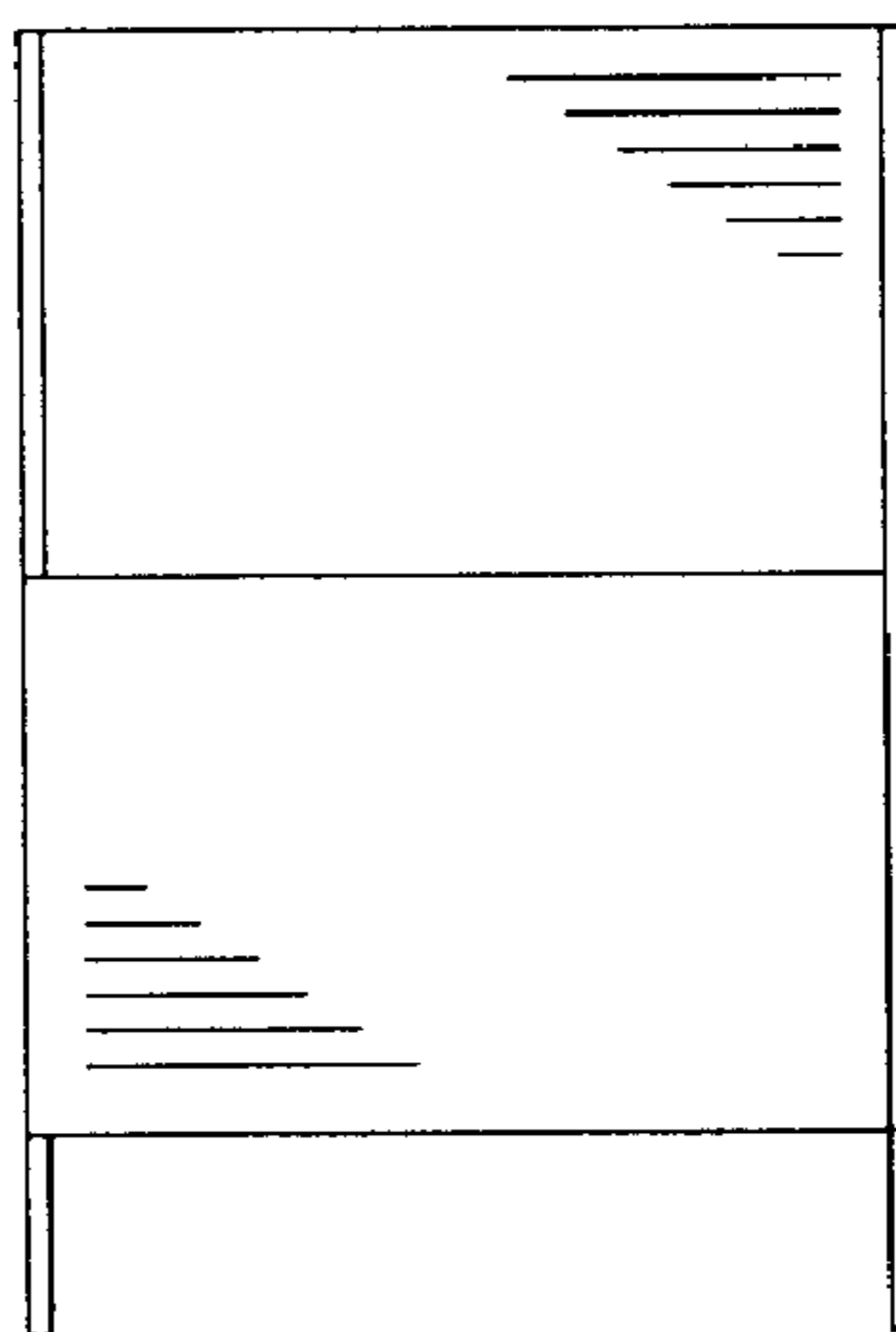


Fig. 20

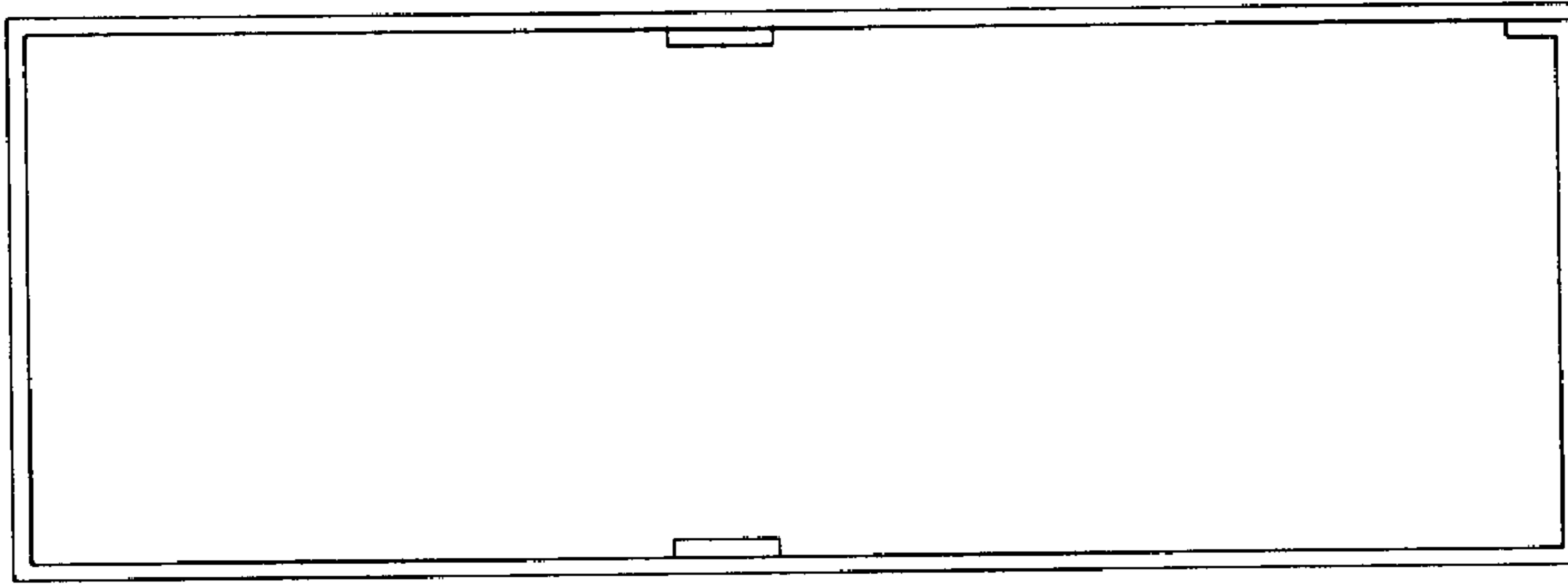


Fig. 21

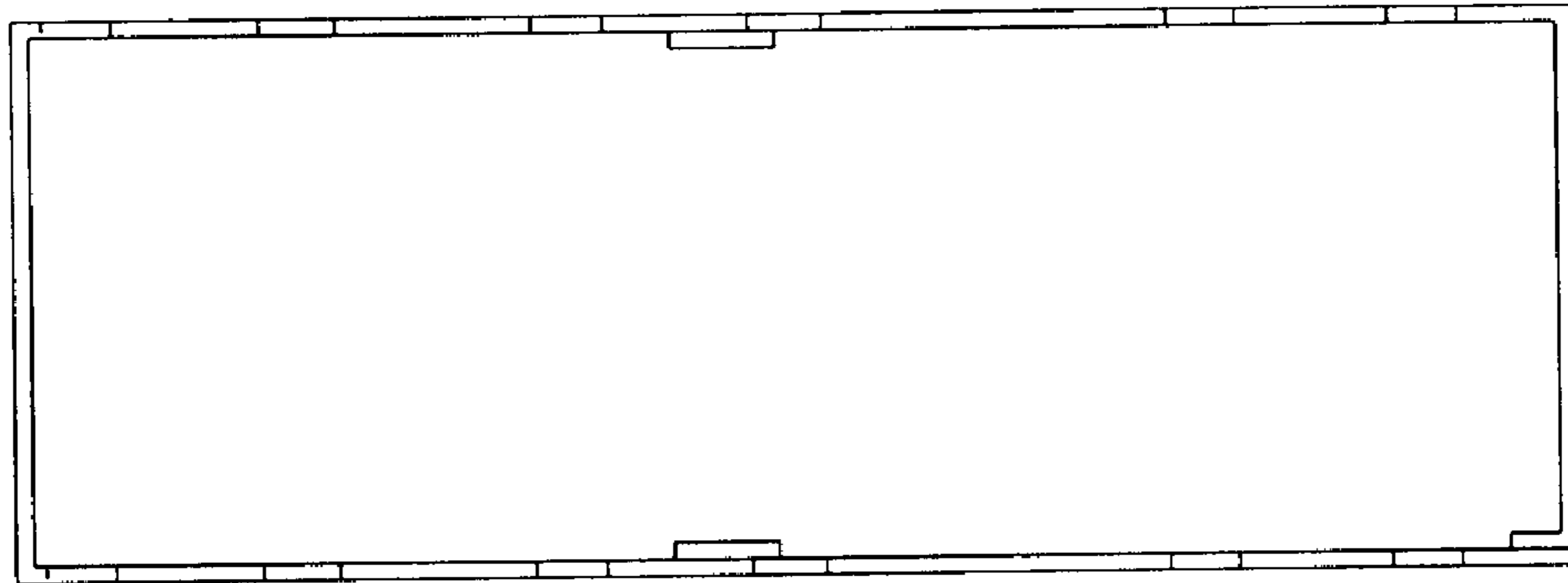


Fig. 22

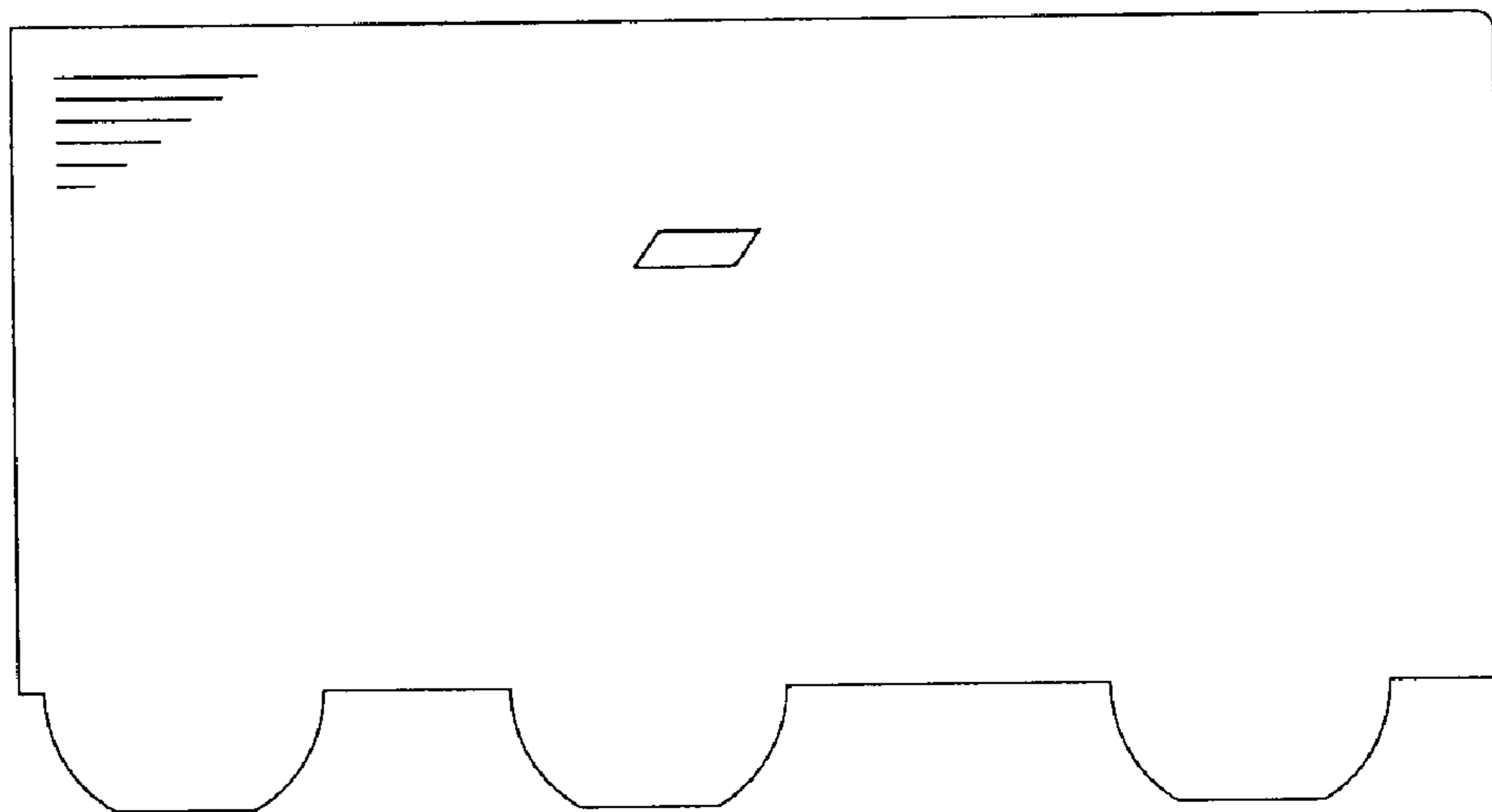


Fig. 23

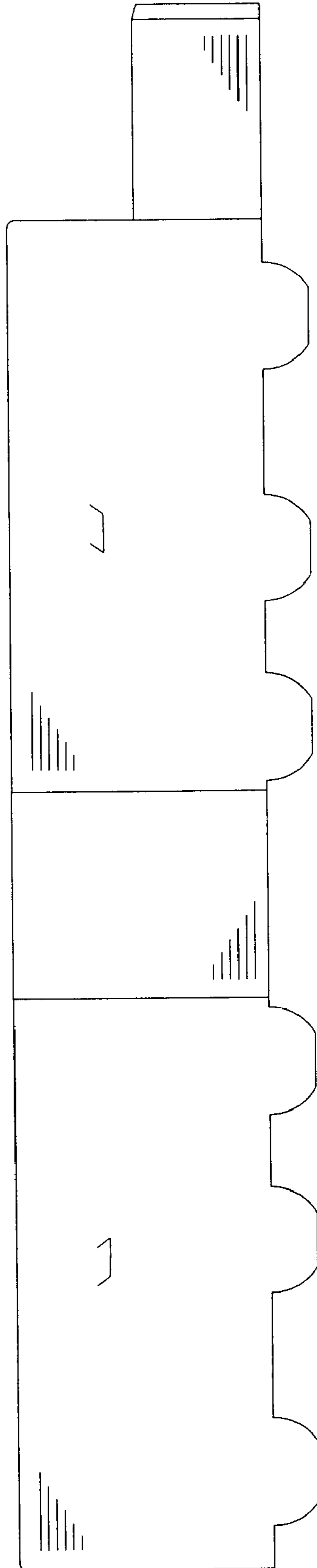


Fig. 24

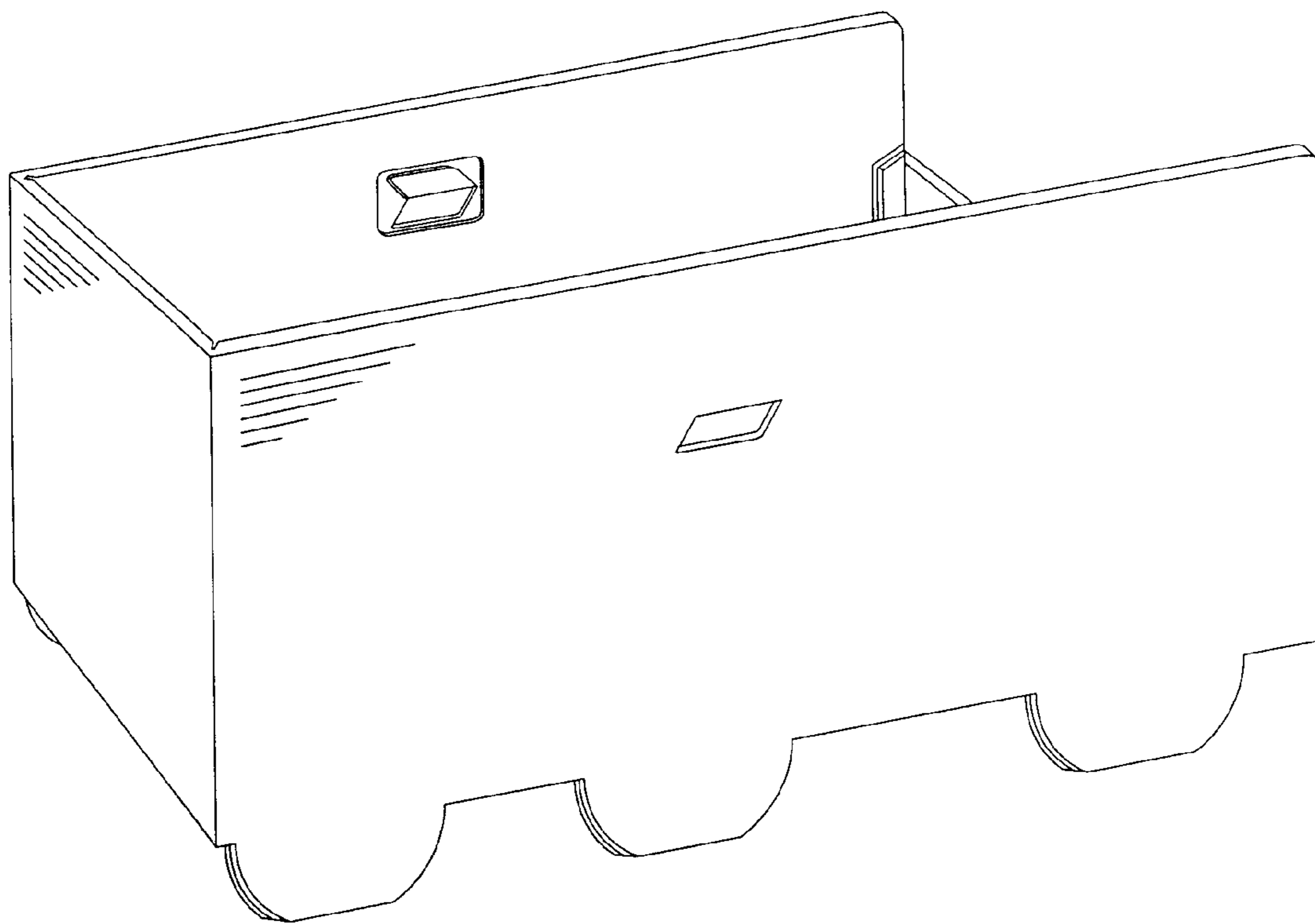


Fig. 25

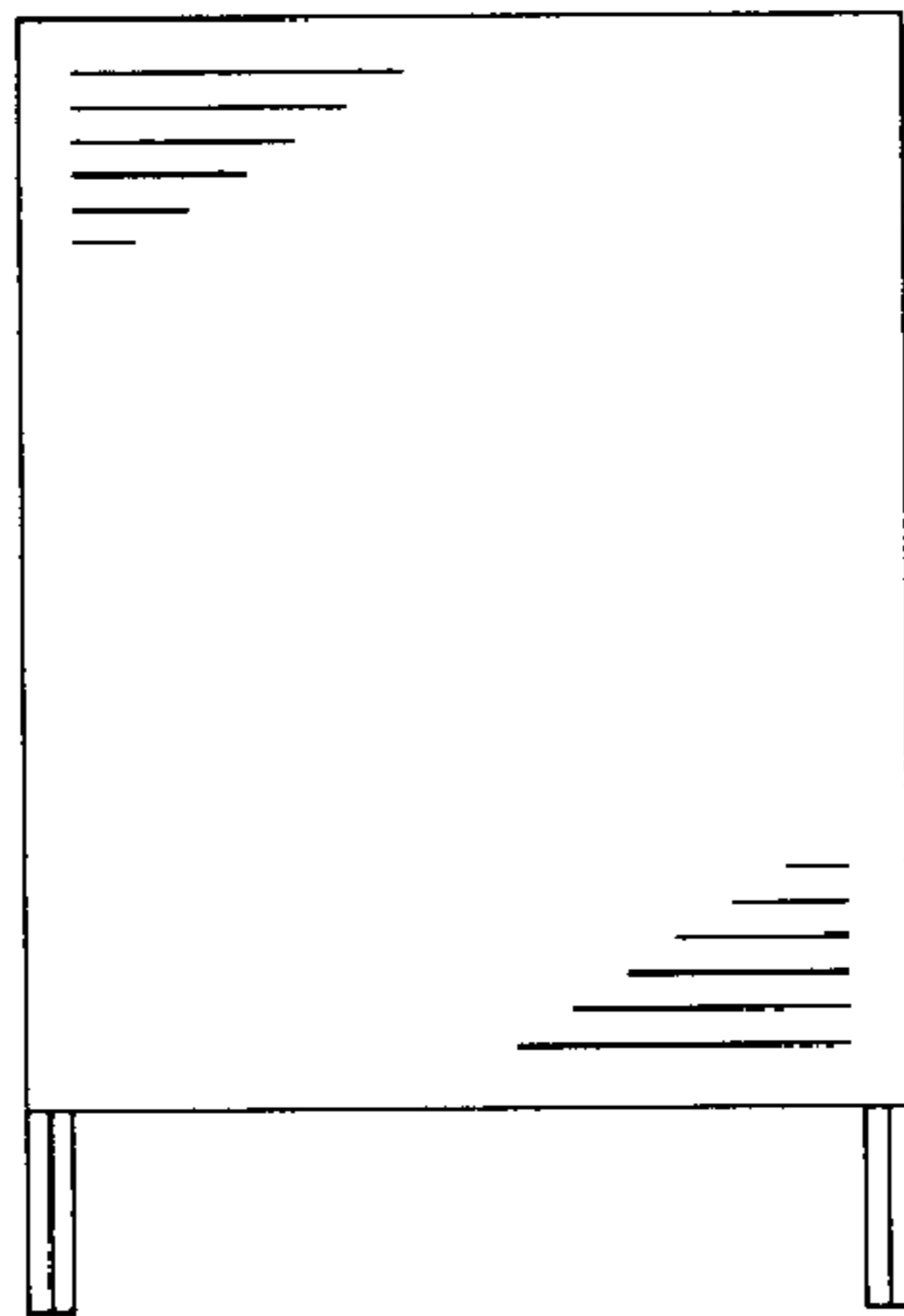


Fig. 26

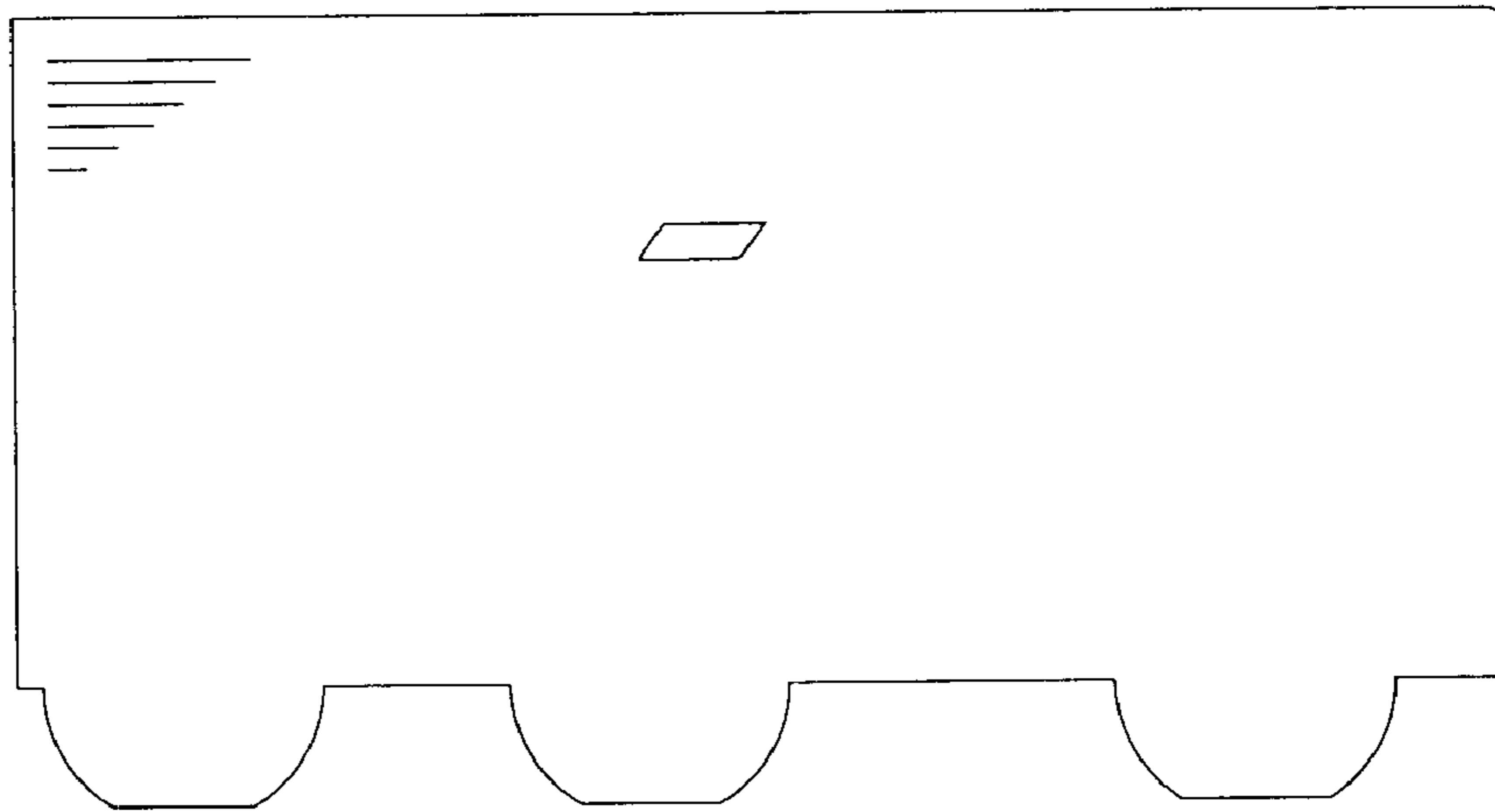


Fig. 27

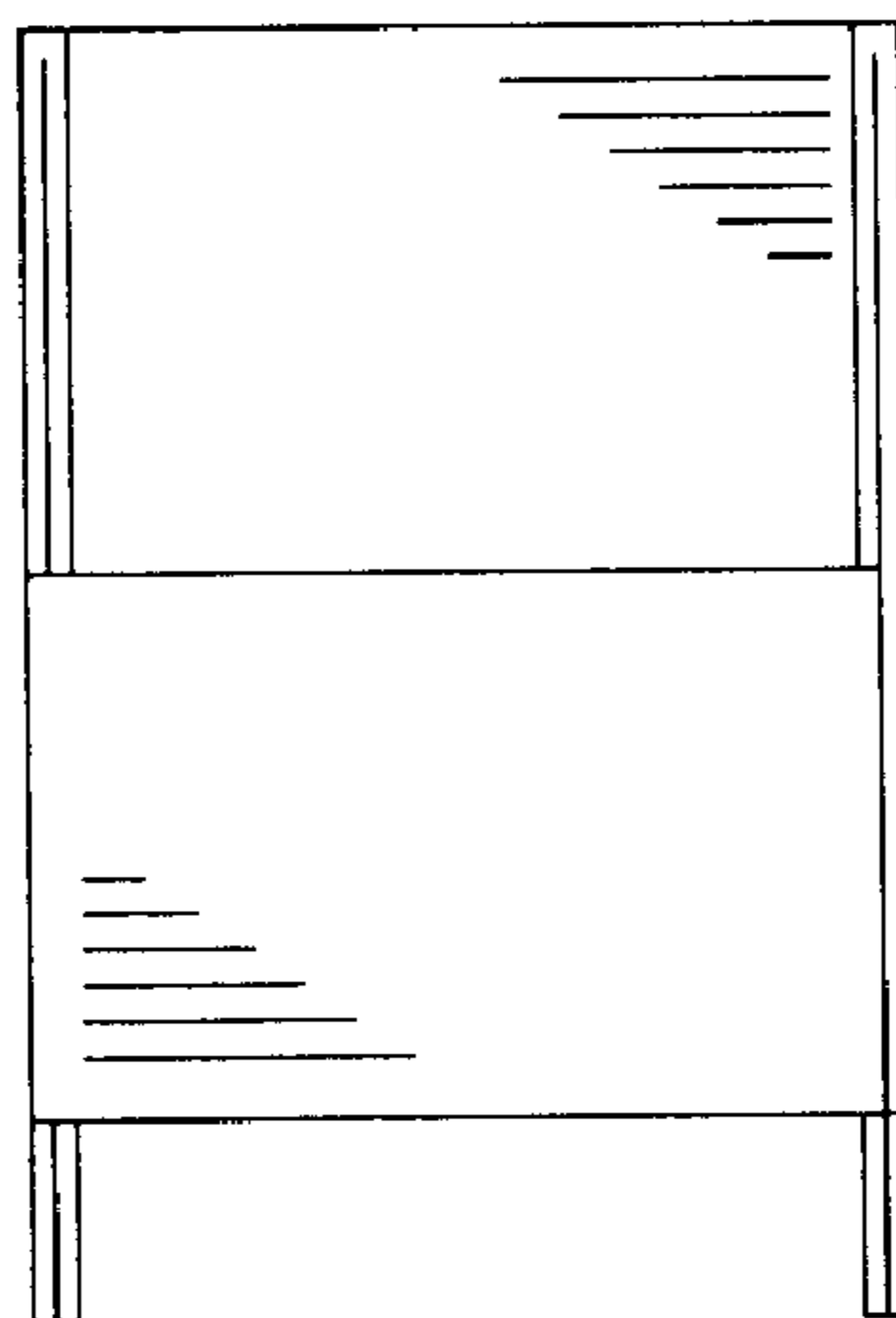


Fig. 28

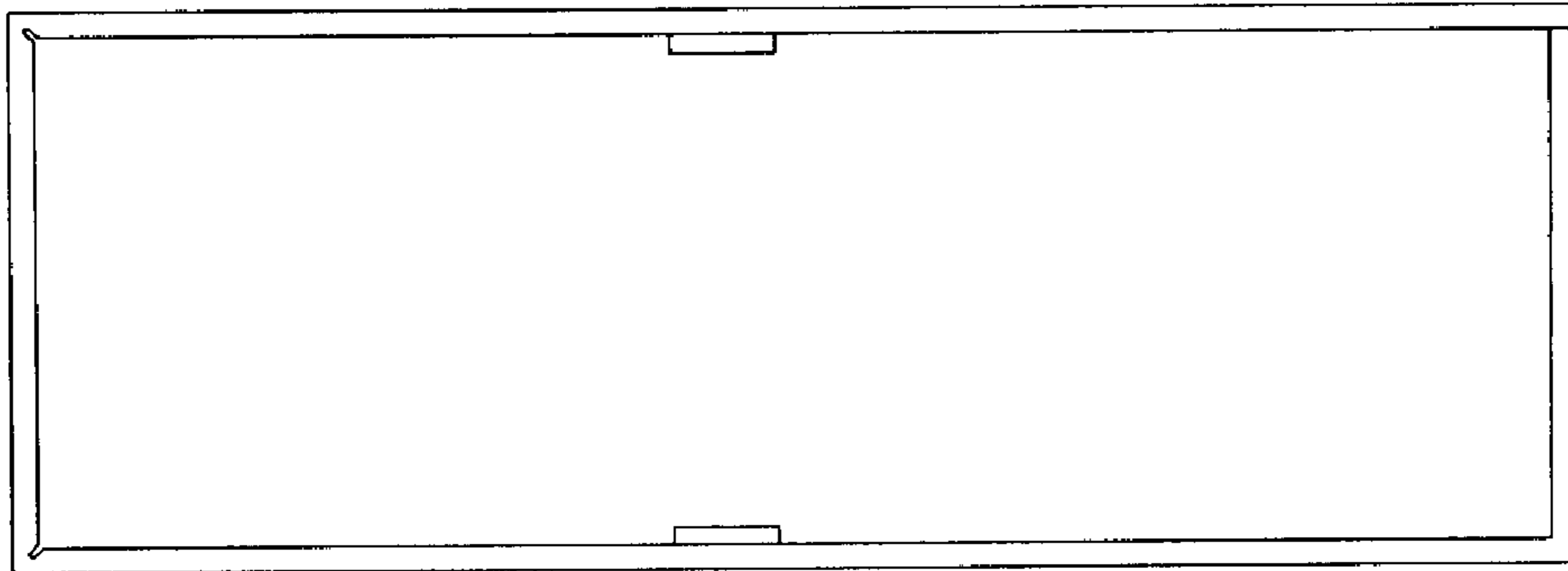


Fig. 29

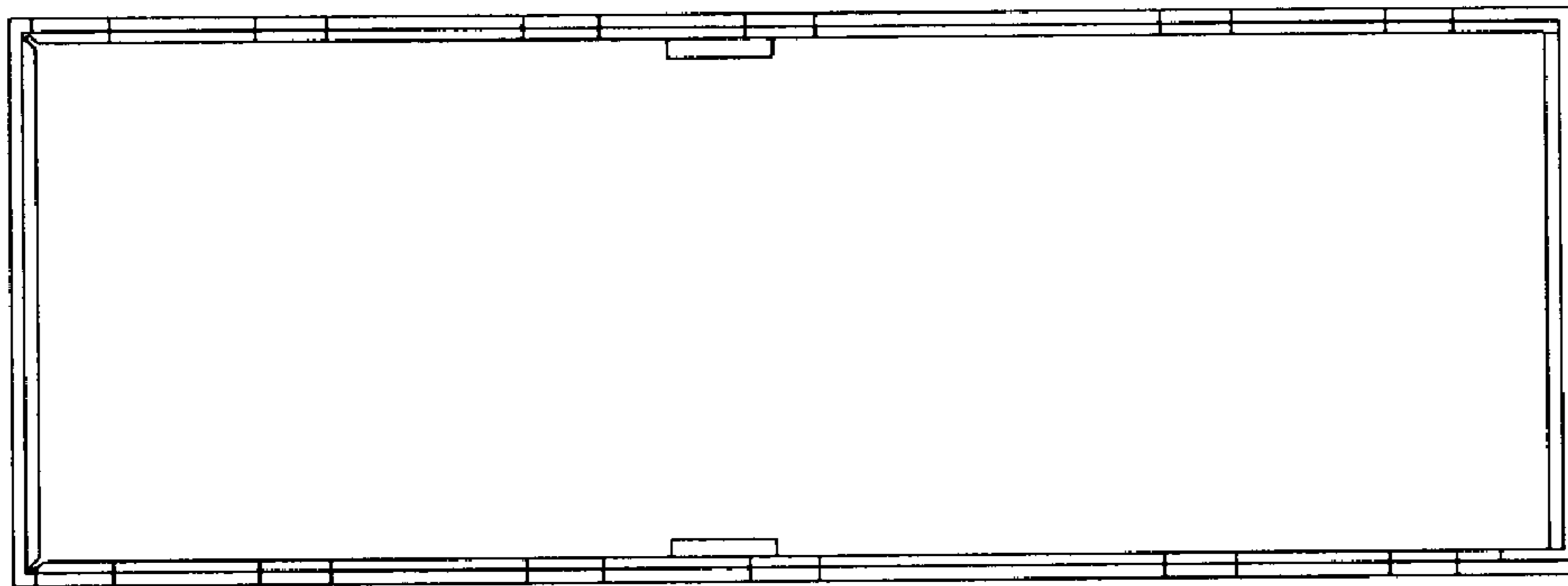


Fig. 30

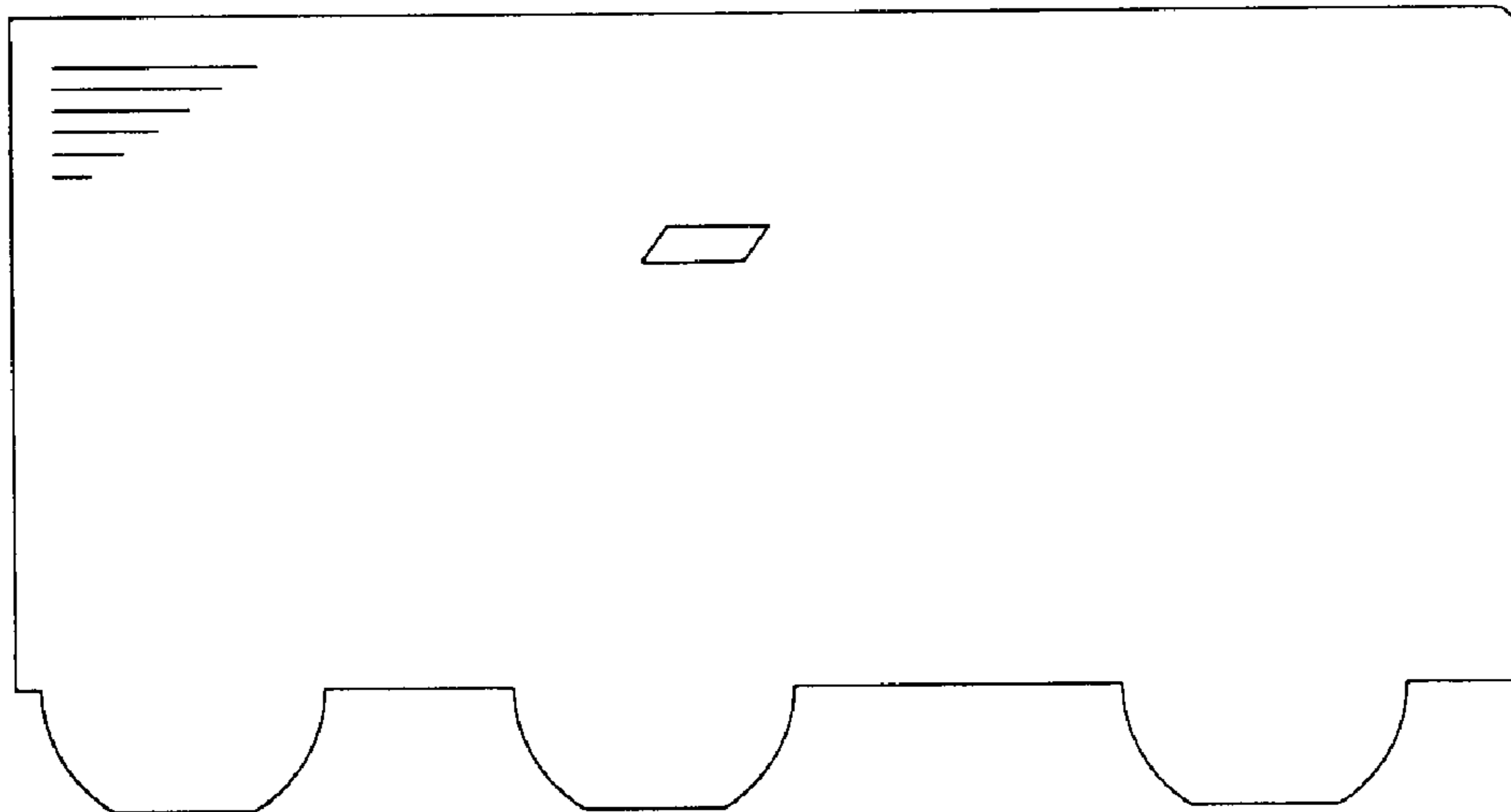


Fig. 31

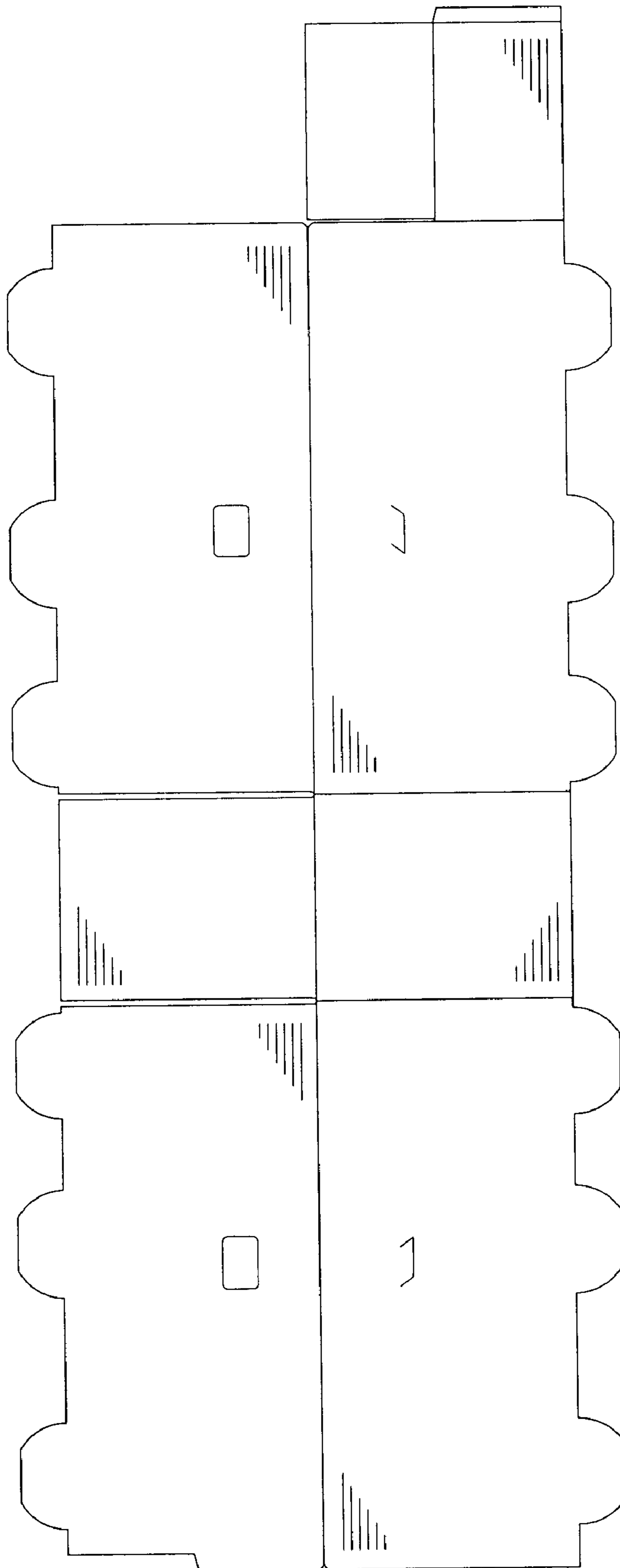


Fig. 32