



US00D513280S

(12) **United States Design Patent** (10) **Patent No.:** **US D513,280 S**
Kosir (45) **Date of Patent:** **** Dec. 27, 2005**

(54) **CURVED LABEL HOLDER**
 (75) Inventor: **Joseph P. Kosir**, Euclid, OH (US)
 (73) Assignee: **Fasteners for Retail, Inc.**, Cleveland, OH (US)
 (**) Term: **14 Years**
 (21) Appl. No.: **29/212,826**
 (22) Filed: **Sep. 8, 2004**
 (51) **LOC (6) Cl.** **20-03**
 (52) **U.S. Cl.** **D20/44**
 (58) **Field of Search** D6/410; D8/300,
 D8/315, 316, 373; D20/10, 43, 44, 99;
 40/316, 533, 603, 617, 642.01, 642.02,
 649, 650, 653, 654.01, 661, 661.03, 661.05

(56) **References Cited**
 U.S. PATENT DOCUMENTS
 D150,466 S * 8/1948 Schuler D20/44
 2,489,089 A * 11/1949 Graff et al. 40/650
 2,895,241 A * 7/1959 Ferdinand et al. 40/650
 2,935,804 A * 5/1960 Duckro 40/650
 3,846,925 A * 11/1974 Busse 40/650
 4,485,575 A * 12/1984 Fast 40/649
 D425,566 S 5/2000 Mueller et al.
 6,519,885 B2 * 2/2003 Valiulis 40/661.03

D476,695 S * 7/2003 Cobb et al. D20/43
 D484,544 S * 12/2003 Healy D20/43
 D485,313 S * 1/2004 Healy D20/43
 6,862,825 B1 * 3/2005 Lowndes 40/603

OTHER PUBLICATIONS

FFR Yellow Pages® 2003 Product Catalog, front cover, pp. 42, 51, 53, 56, 75, 76 and 103.

* cited by examiner

Primary Examiner—Robert M. Spear
(74) *Attorney, Agent, or Firm*—Fay, Sharpe, Fagan, Minnich & McKee, LLP

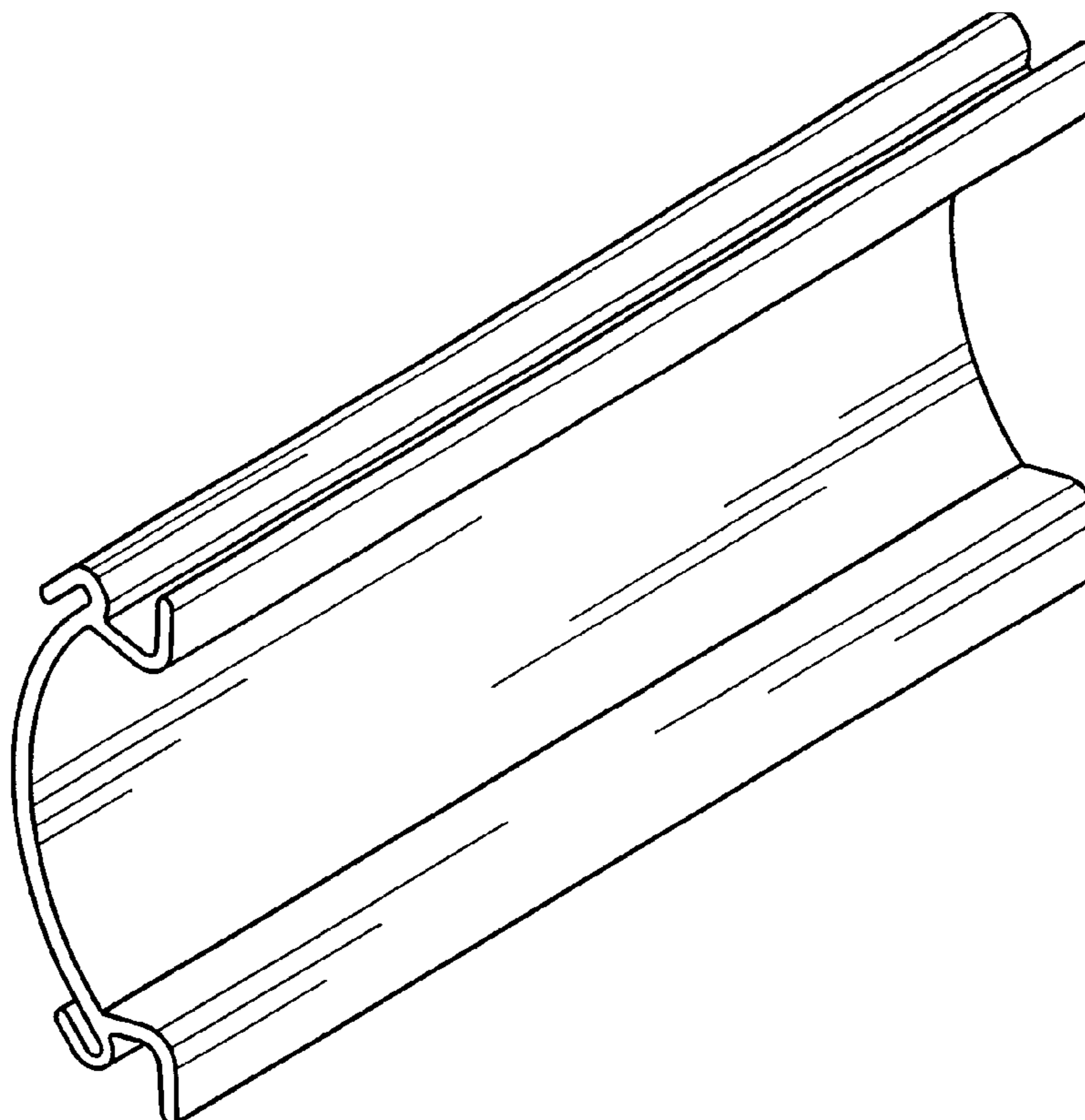
(57) **CLAIM**

The ornamental design for a curved label holder, as shown and described.

DESCRIPTION

FIG. 1 is a perspective view of a curved label holder showing my new design;
 FIG. 2 is a left side elevational view thereof, with a right side elevational view being a mirror image thereof;
 FIG. 3 is a front elevational view thereof;
 FIG. 4 is a rear elevational view thereof; and,
 FIG. 5 is a top plan view thereof, with a bottom plan view being a mirror image thereof.

1 Claim, 1 Drawing Sheet



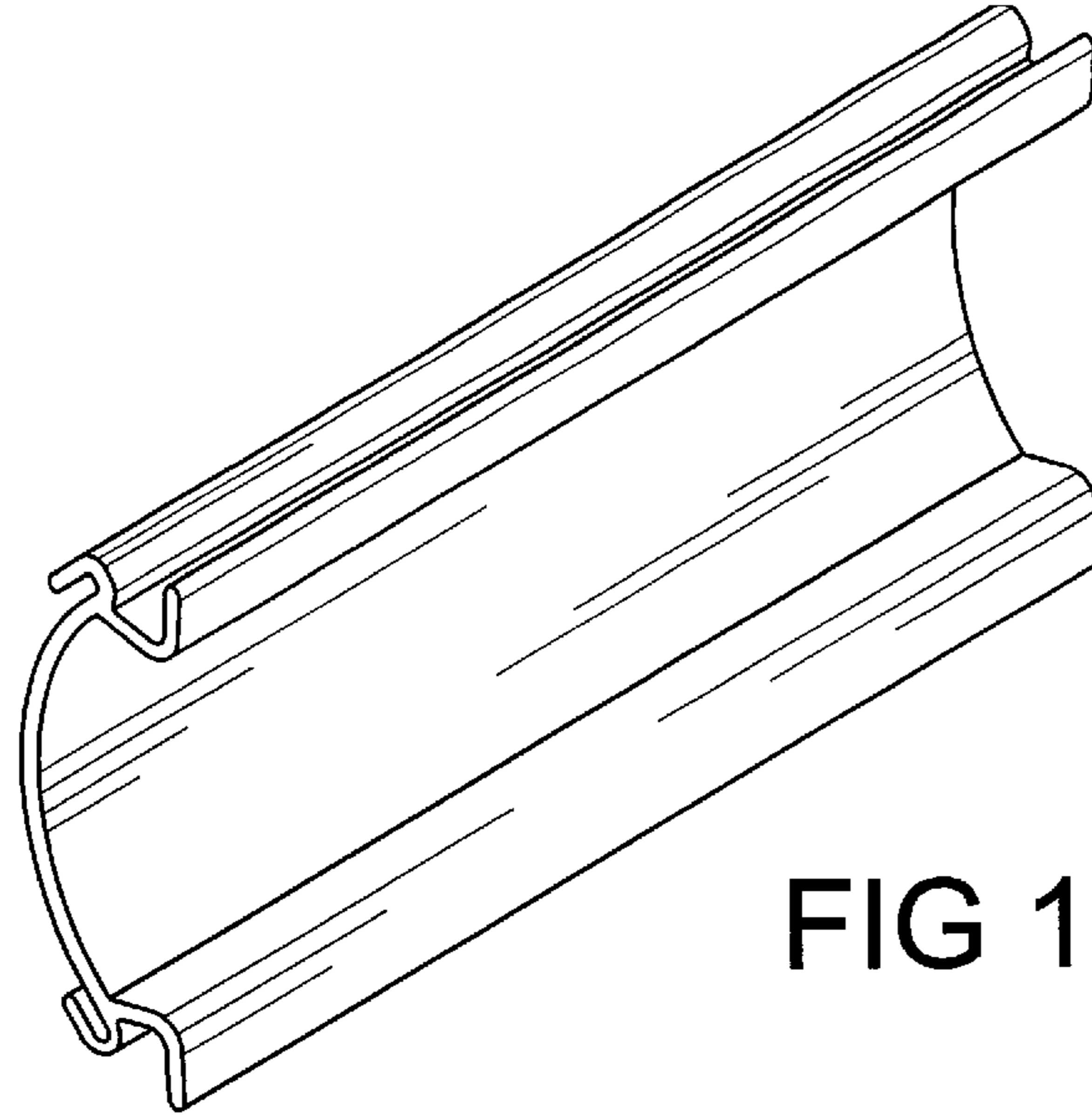


FIG 1

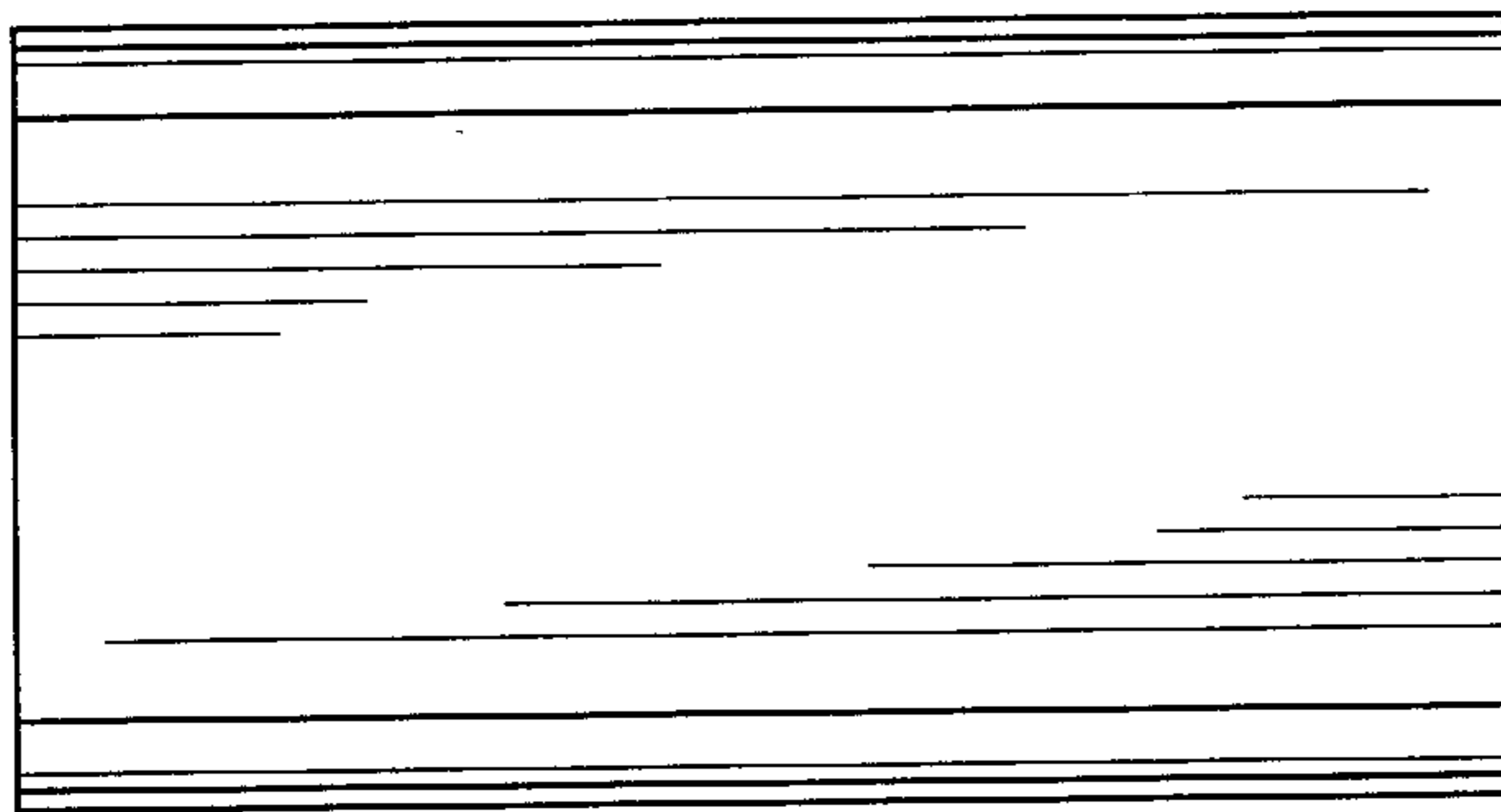


FIG 3

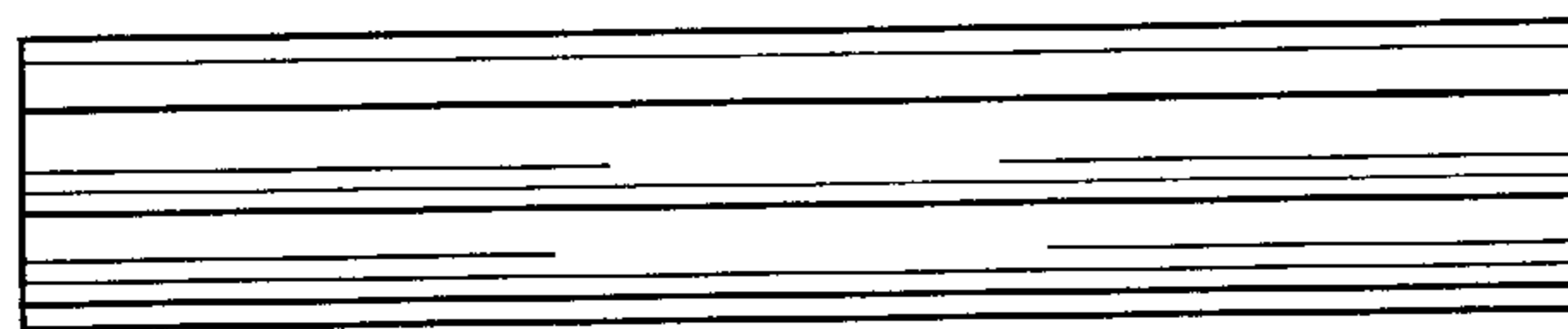


FIG 5

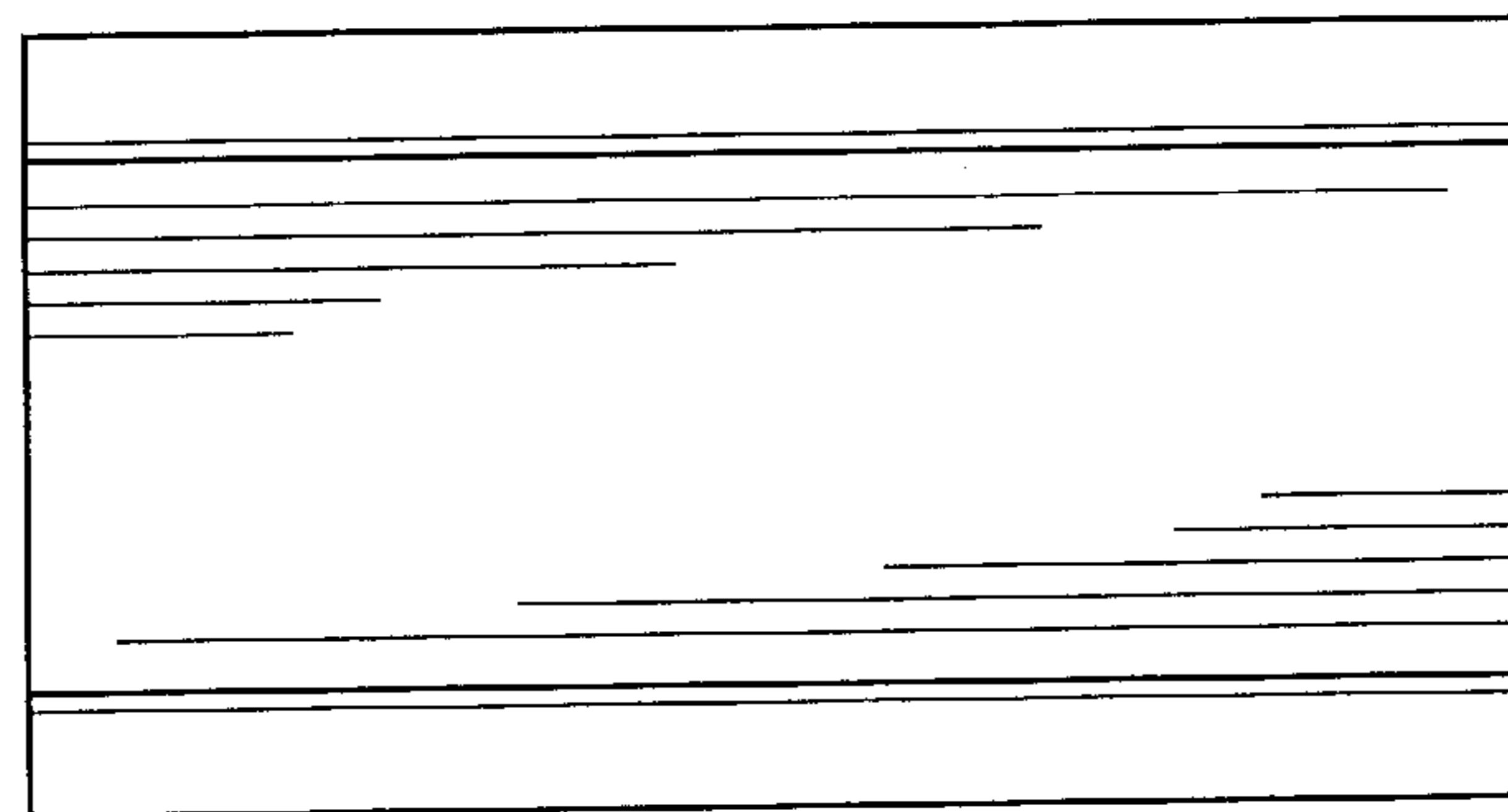


FIG 4

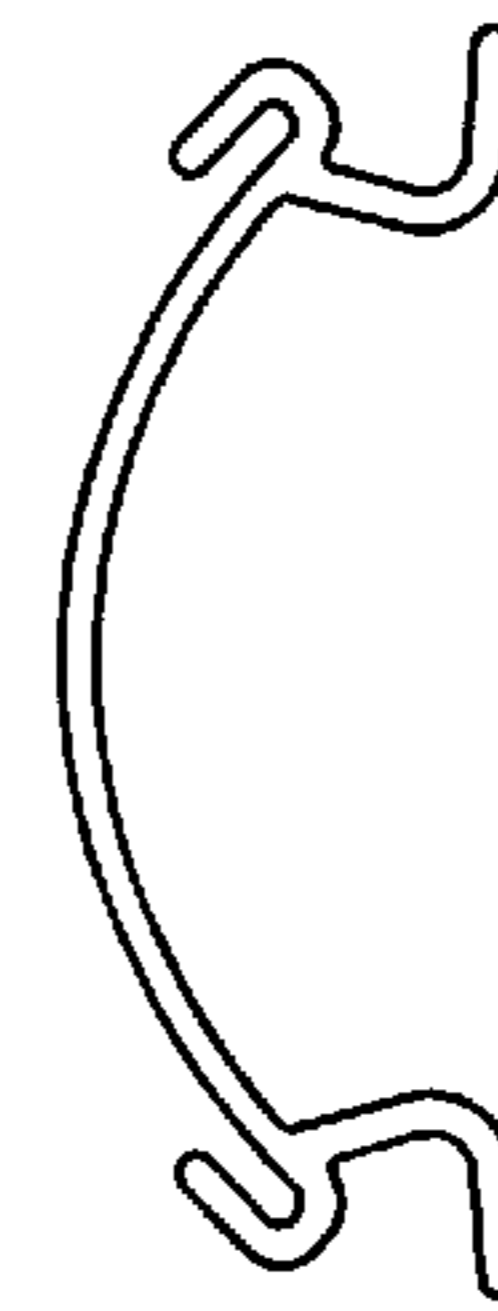


FIG 2