



US00D513276S

(12) **United States Design Patent**
Cole

(10) **Patent No.: US D513,276 S**

(45) **Date of Patent: ** Dec. 27, 2005**

(54) **EYEWEAR MOUNT WITH RECESS IN TOP OF BRIDGE**

(76) **Inventor: Anthony John Cole, P.O. Box 359, Cronulla, New South Wales 2230 (AU)**

(**) **Term: 14 Years**

(21) **Appl. No.: 29/221,114**

(22) **Filed: Jan. 11, 2005**

(51) **LOC (6) Cl. 16-06**

(52) **U.S. Cl. D16/330; D16/309; D16/310**

(58) **Field of Search D16/300-330, D16/334, 340, 900; D2/866; D29/103-104, 109-110; D24/110.2; 351/41, 44, 47-48, 51-52, 57-59, 155, 157-158, 114; 2/10, 12-13; 248/902, 474**

(56) **References Cited**

U.S. PATENT DOCUMENTS

- 673,786 A * 5/1901 Ricketts 2/13
- 2,758,506 A * 8/1956 McNeil 351/57
- 3,428,286 A * 2/1969 Del Pesco 248/474
- 3,787,113 A * 1/1974 Shedrow 351/158
- 4,387,471 A * 6/1983 Hsu et al. 2/10
- 4,810,081 A * 3/1989 Mapelli et al. 351/57

- 5,261,124 A * 11/1993 Day 2/10
- 5,412,812 A * 5/1995 Gatchalian 2/10
- D377,364 S * 1/1997 Dinges D16/304
- 5,987,640 A * 11/1999 Ryder 2/10
- 6,206,519 B1 * 3/2001 Lin 351/57
- 6,502,937 B2 * 1/2003 Yang 351/57

* cited by examiner

Primary Examiner—Raphael Barkai

(74) *Attorney, Agent, or Firm*—Jaconson and Johnson

(57) **CLAIM**

The ornamental design for an eyewear mount with recess in top of bridge, as shown and described.

DESCRIPTION

FIG. 1 is a front elevation view of an eyewear mount with recess in top of bridge showing my new design;
 FIG. 2 is a rear elevation view thereof;
 FIG. 3 is a top plan view thereof;
 FIG. 4 is a bottom plan view thereof;
 FIG. 5 is a side elevation view thereof, the other side being the same;
 FIG. 6 is a top front perspective view thereof; and,
 FIG. 7 is a bottom front perspective view thereof.

1 Claim, 3 Drawing Sheets

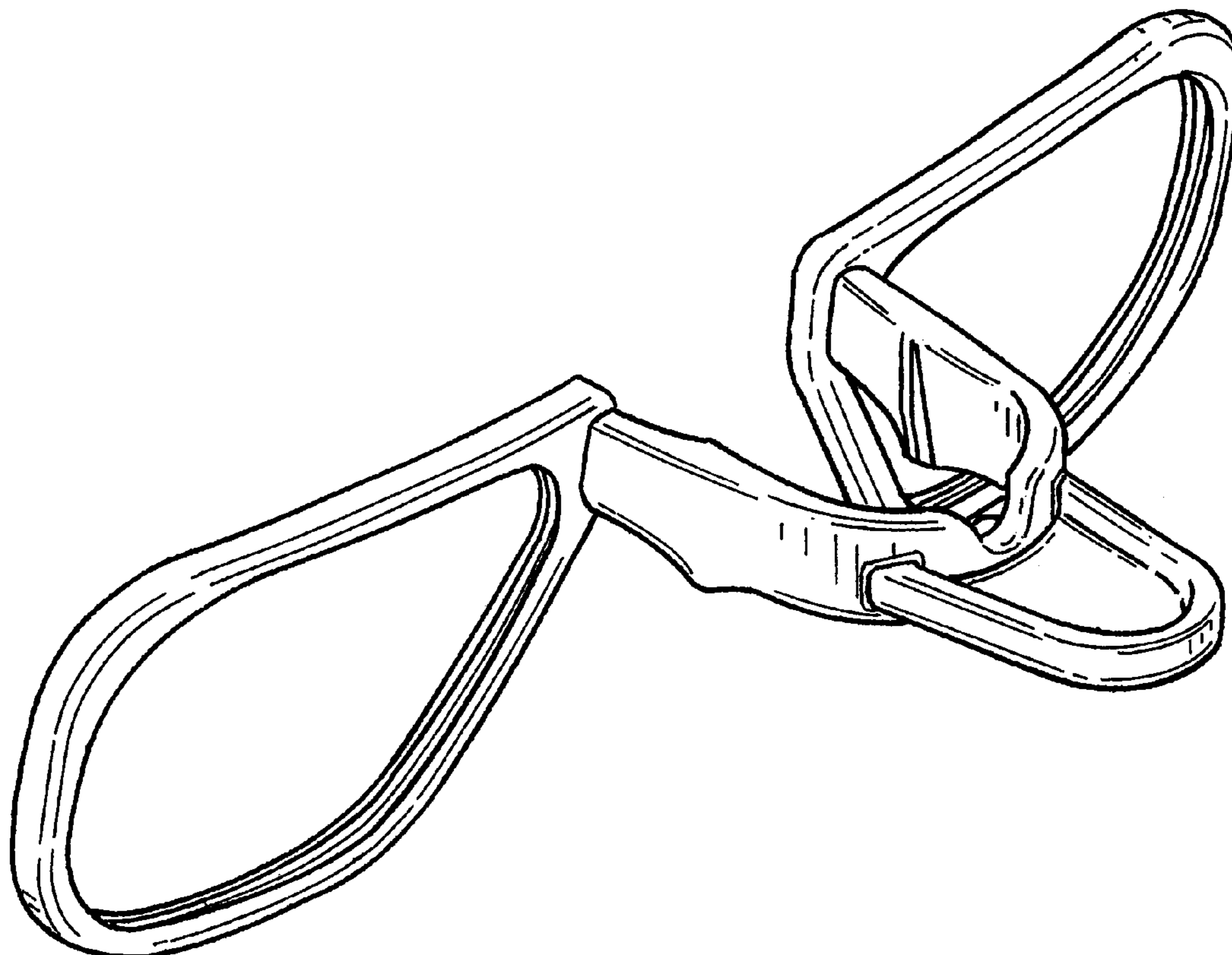


FIG. 1

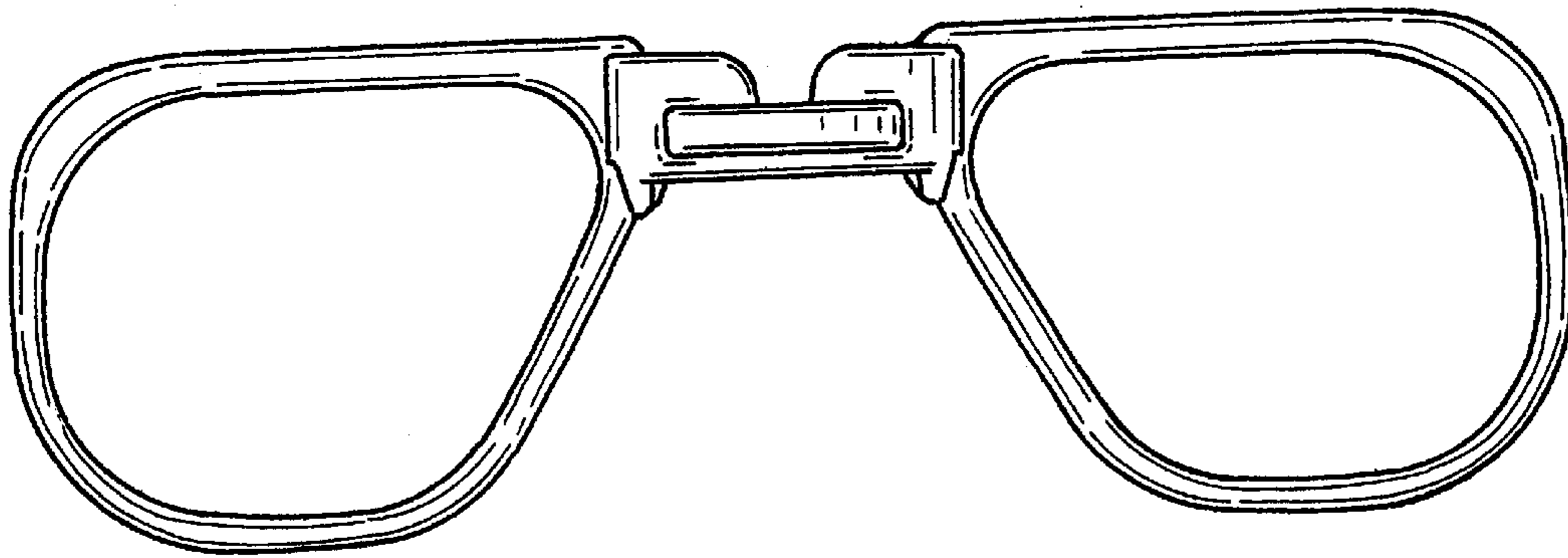


FIG. 2

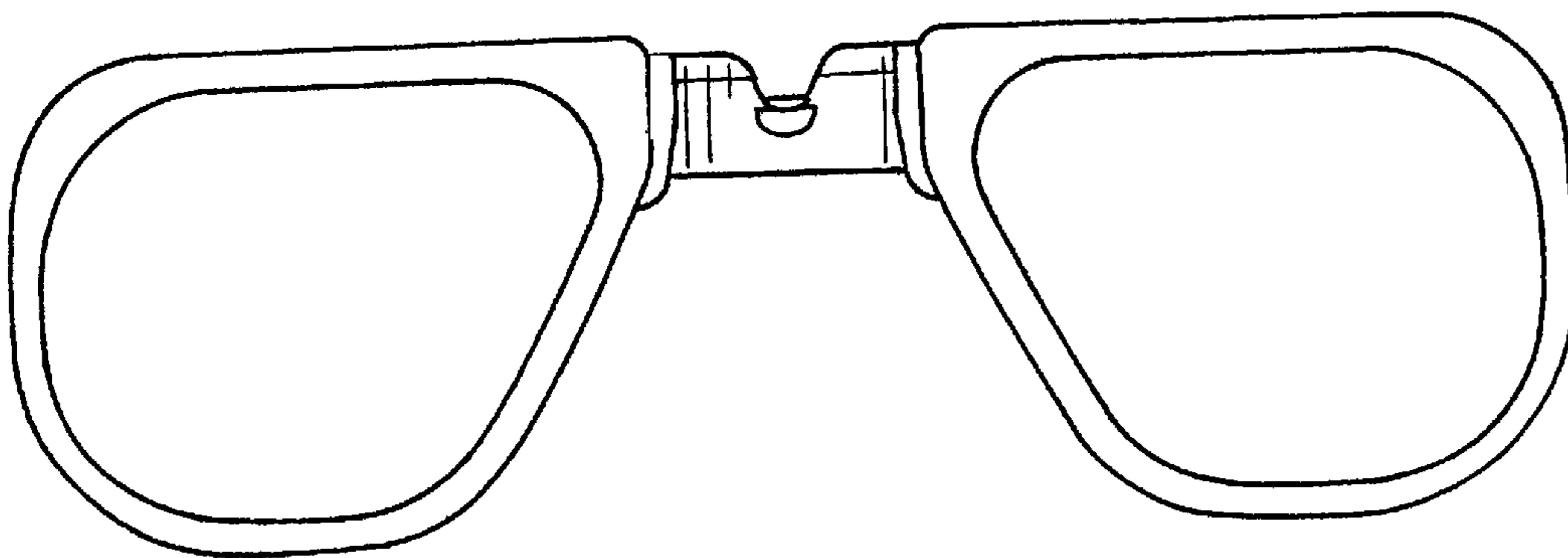


FIG. 3

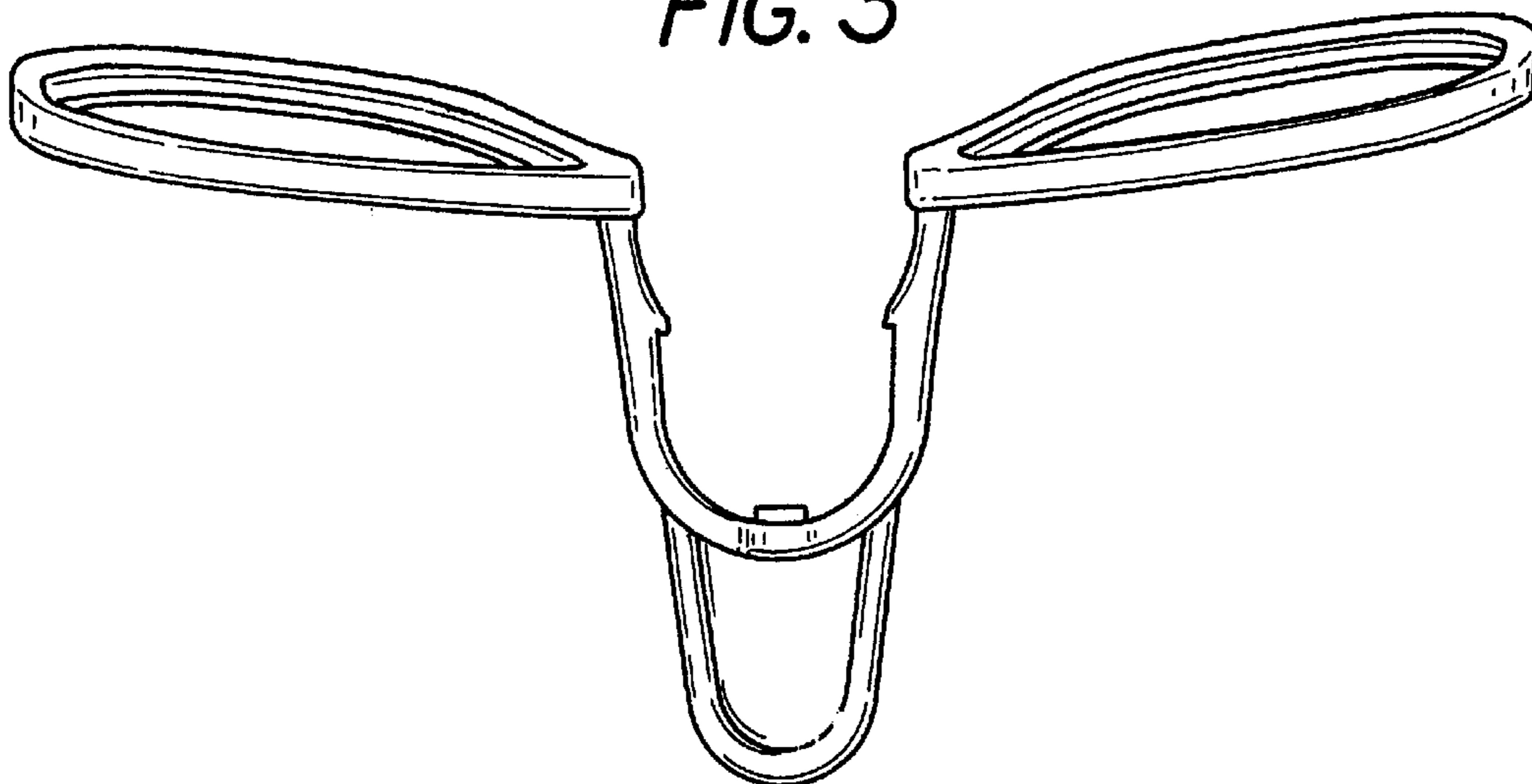


FIG. 4

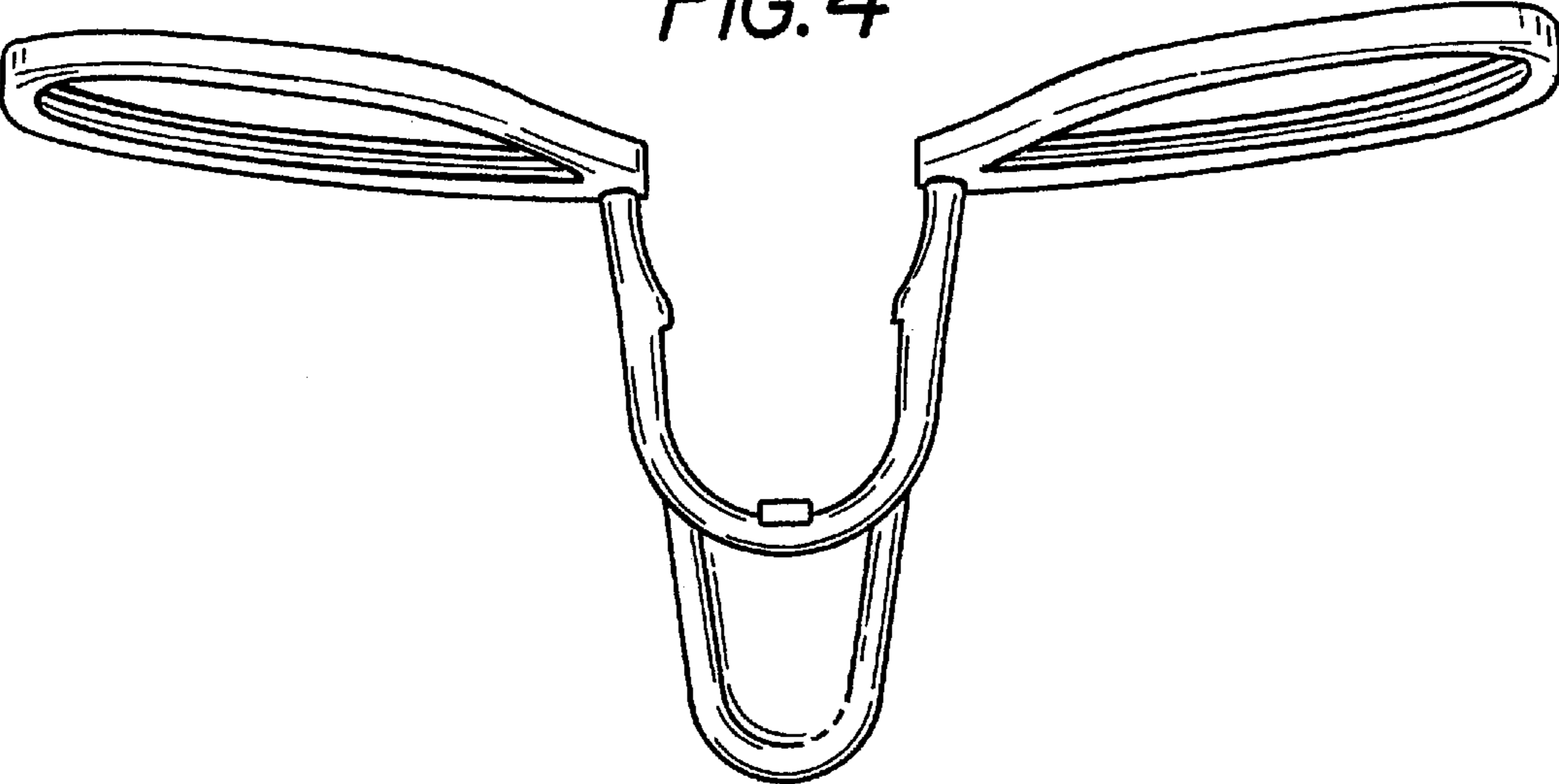


FIG. 5

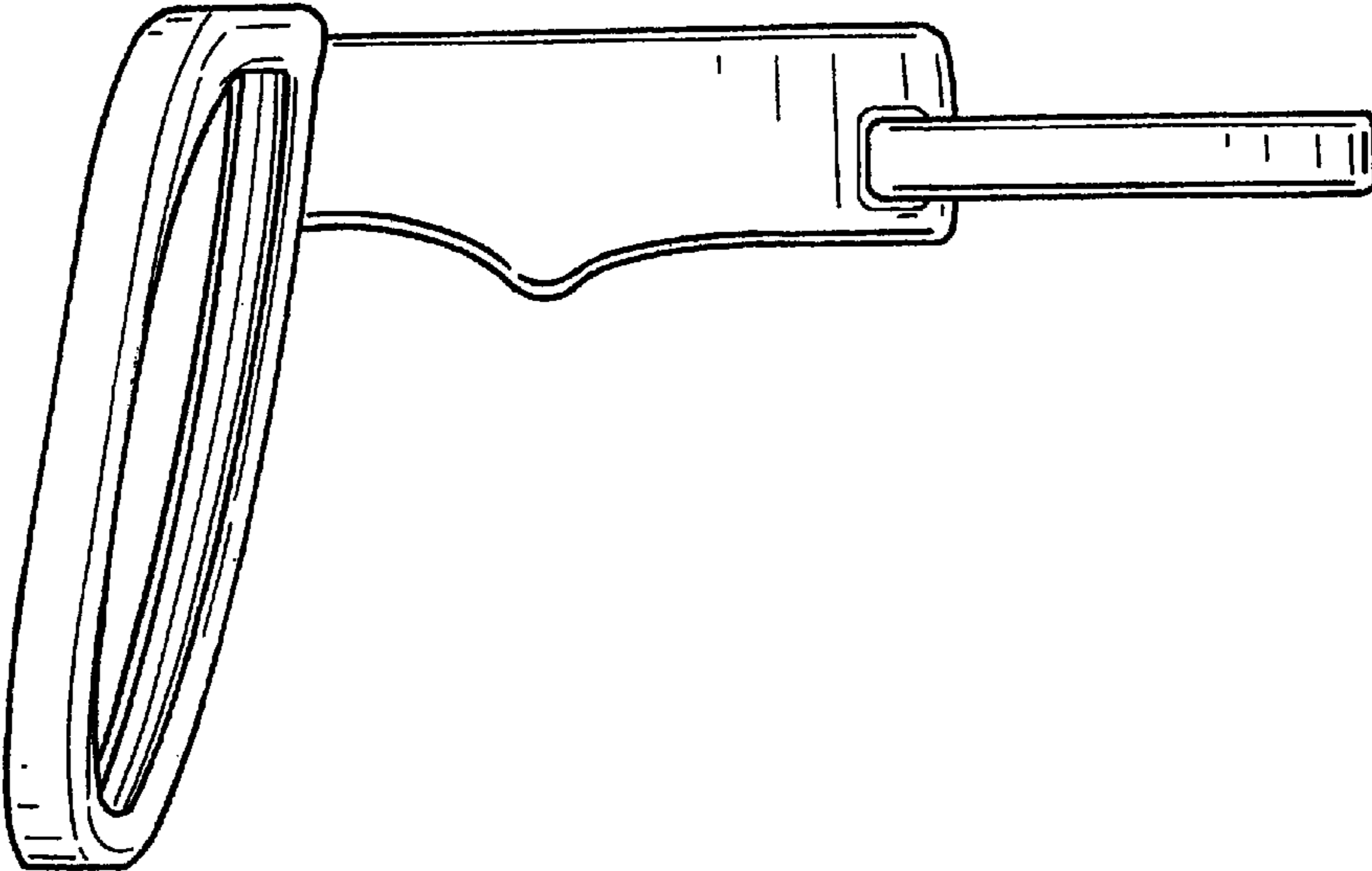


FIG. 6

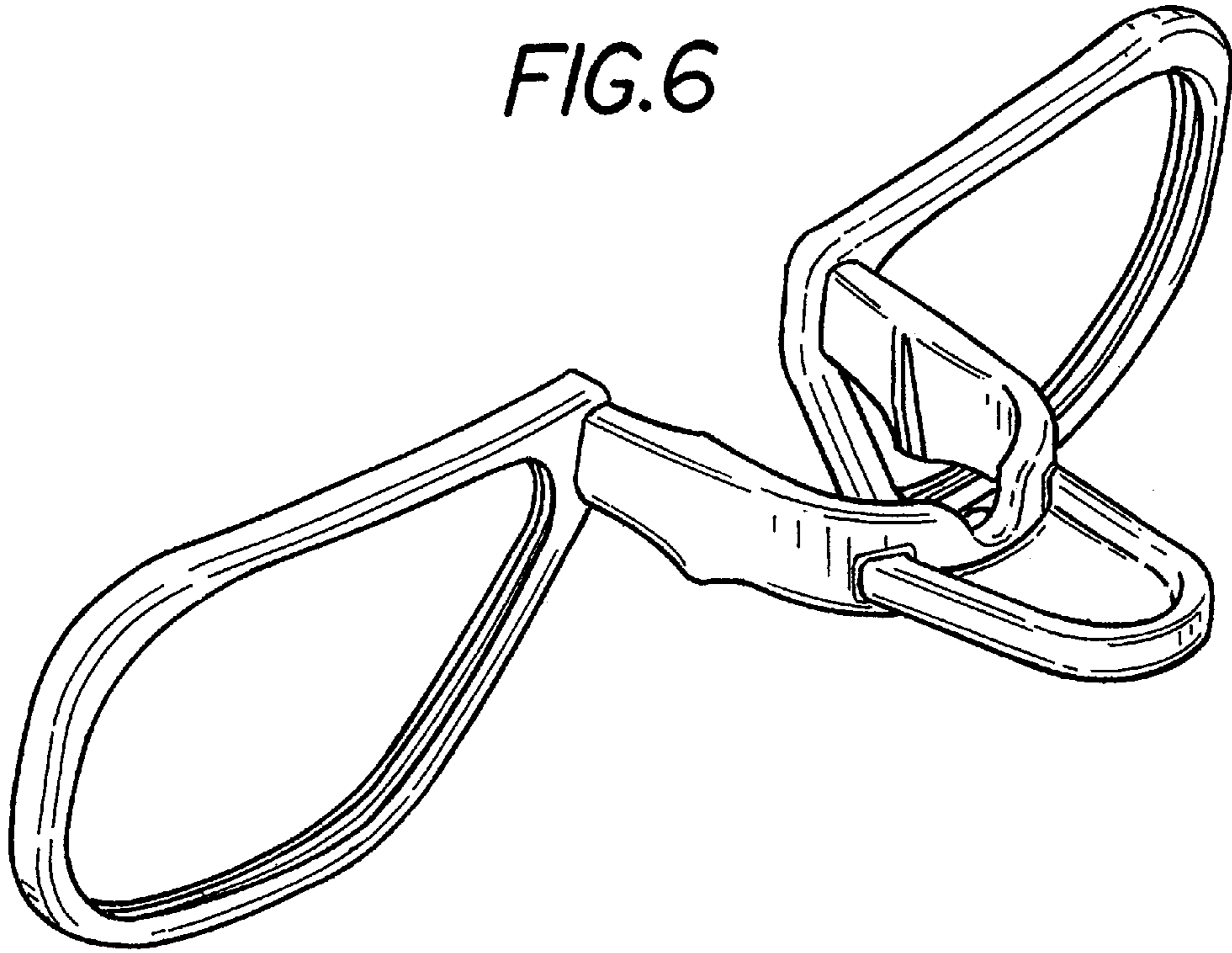


FIG. 7

