



US00D513274S

(12) **United States Design Patent**  
**Chen**

(10) **Patent No.:** **US D513,274 S**

(45) **Date of Patent:** **\*\* Dec. 27, 2005**

(54) **TELESCOPE**

(76) **Inventor:** **Chun-Hao Chen**, 11F., No. 37, Chien Kang, Taipei City (TW)

(\*\*) **Term:** **14 Years**

(21) **Appl. No.:** **29/218,474**

(22) **Filed:** **Dec. 3, 2004**

(30) **Foreign Application Priority Data**

Nov. 9, 2004 (TW) ..... 93306650

(51) **LOC (6) Cl.** ..... **16-06**

(52) **U.S. Cl.** ..... **D16/132**

(58) **Field of Search** ..... D16/130, 132,  
D16/200, 210, 217, 218; D22/101, 108,  
109, 110; 359/419, 809, 810, 811, 812,  
818, 819, 821, 827, 829; 396/419

(56) **References Cited**

**U.S. PATENT DOCUMENTS**

D297,242 S \* 8/1988 Yamanaka ..... D16/132  
D297,646 S \* 9/1988 Hilko ..... D16/132  
5,625,853 A \* 4/1997 Ihara ..... 396/419

D390,583 S \* 2/1998 Diebel et al. .... D16/132  
D417,680 S \* 12/1999 Diebel et al. .... D16/132  
D454,898 S \* 3/2002 Ogasawara et al. .... D16/132  
D479,255 S \* 9/2003 Hamamura ..... D16/132  
D482,709 S \* 11/2003 Meinzer ..... D16/132  
6,791,770 B2 \* 9/2004 Yamazaki et al. .... 359/819

\* cited by examiner

*Primary Examiner*—Paula A. Greene

(74) *Attorney, Agent, or Firm*—Rosenberg, Klein & Lee

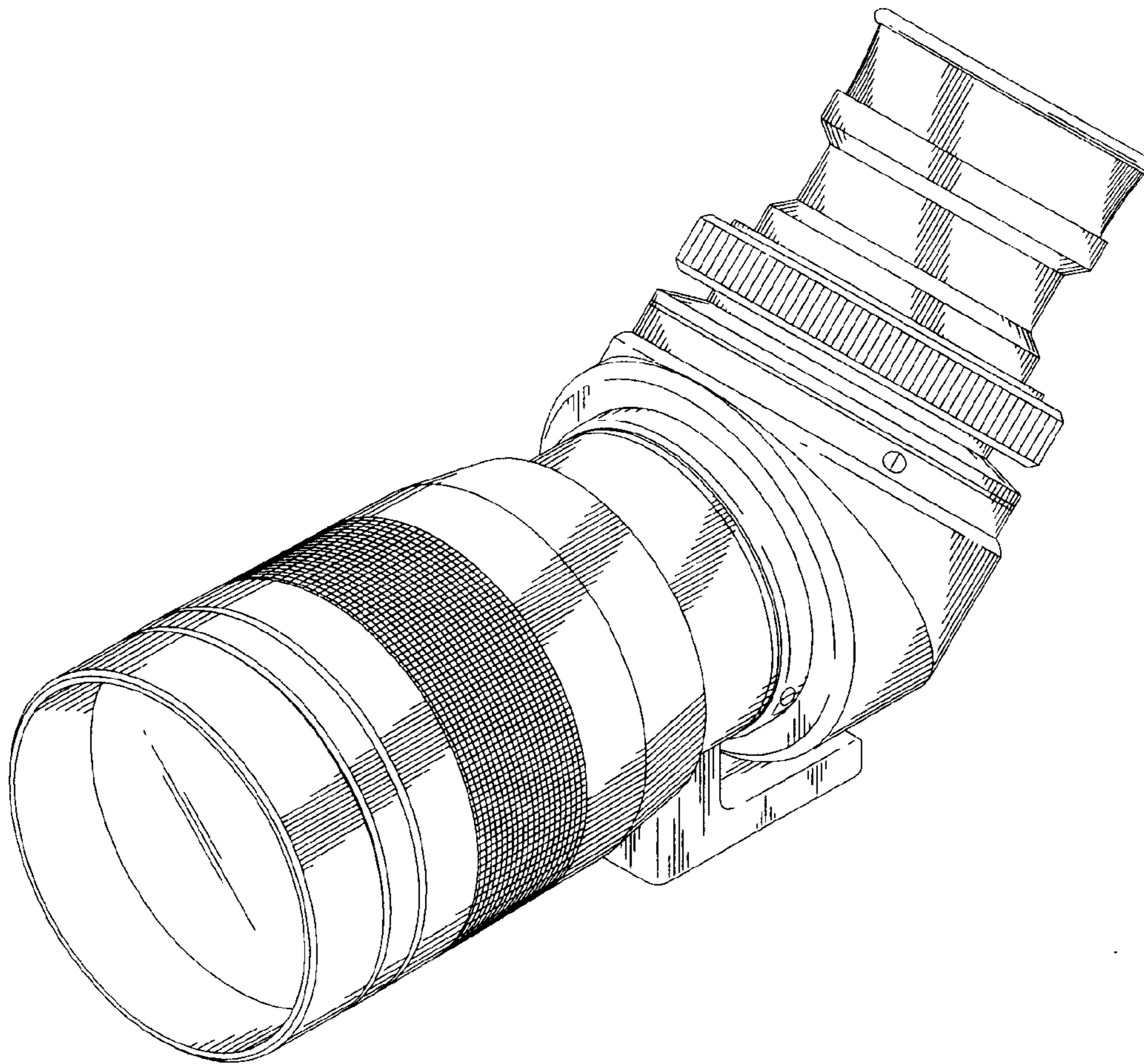
(57) **CLAIM**

The ornamental design for a “telescope,” as shown and described.

**DESCRIPTION**

FIG. 1 is a perspective view of a “telescope” showing my new design;  
FIG. 2 is a front view thereof;  
FIG. 3 is a rear view thereof;  
FIG. 4 is a left side view thereof;  
FIG. 5 is a right side view thereof;  
FIG. 6 is a top view thereof; and,  
FIG. 7 is a bottom view thereof.

**1 Claim, 5 Drawing Sheets**



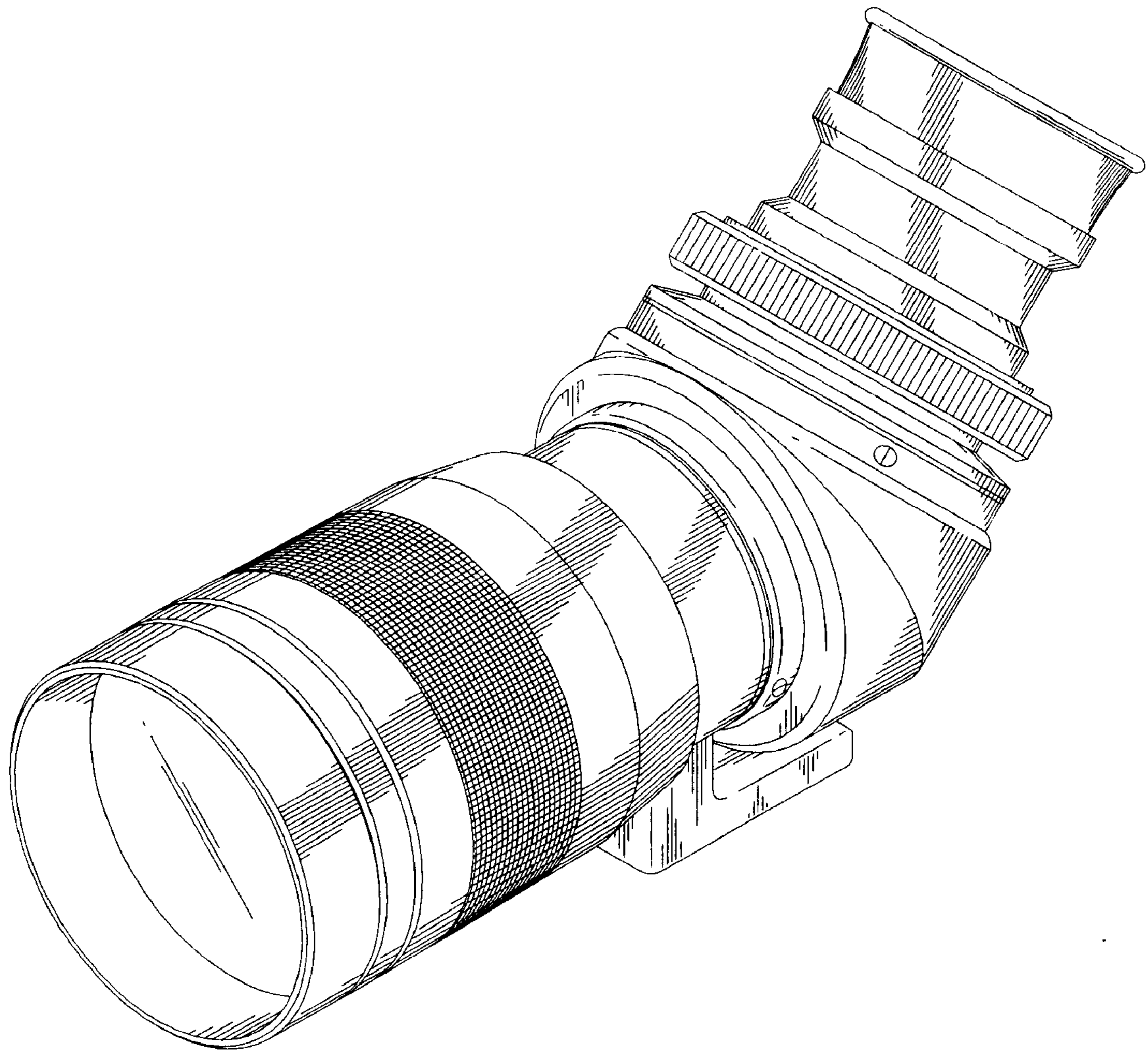


FIG. 1

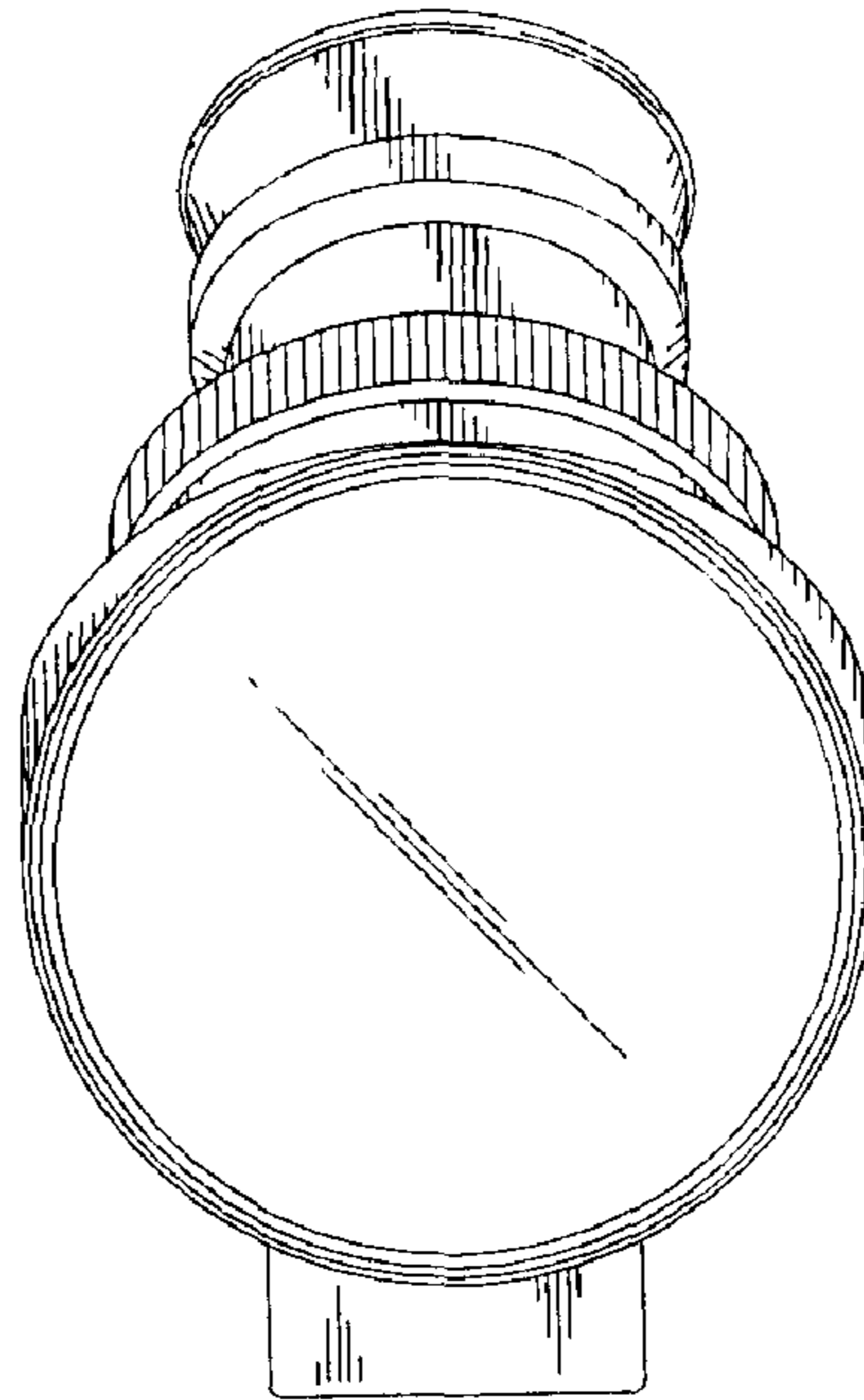


FIG. 2

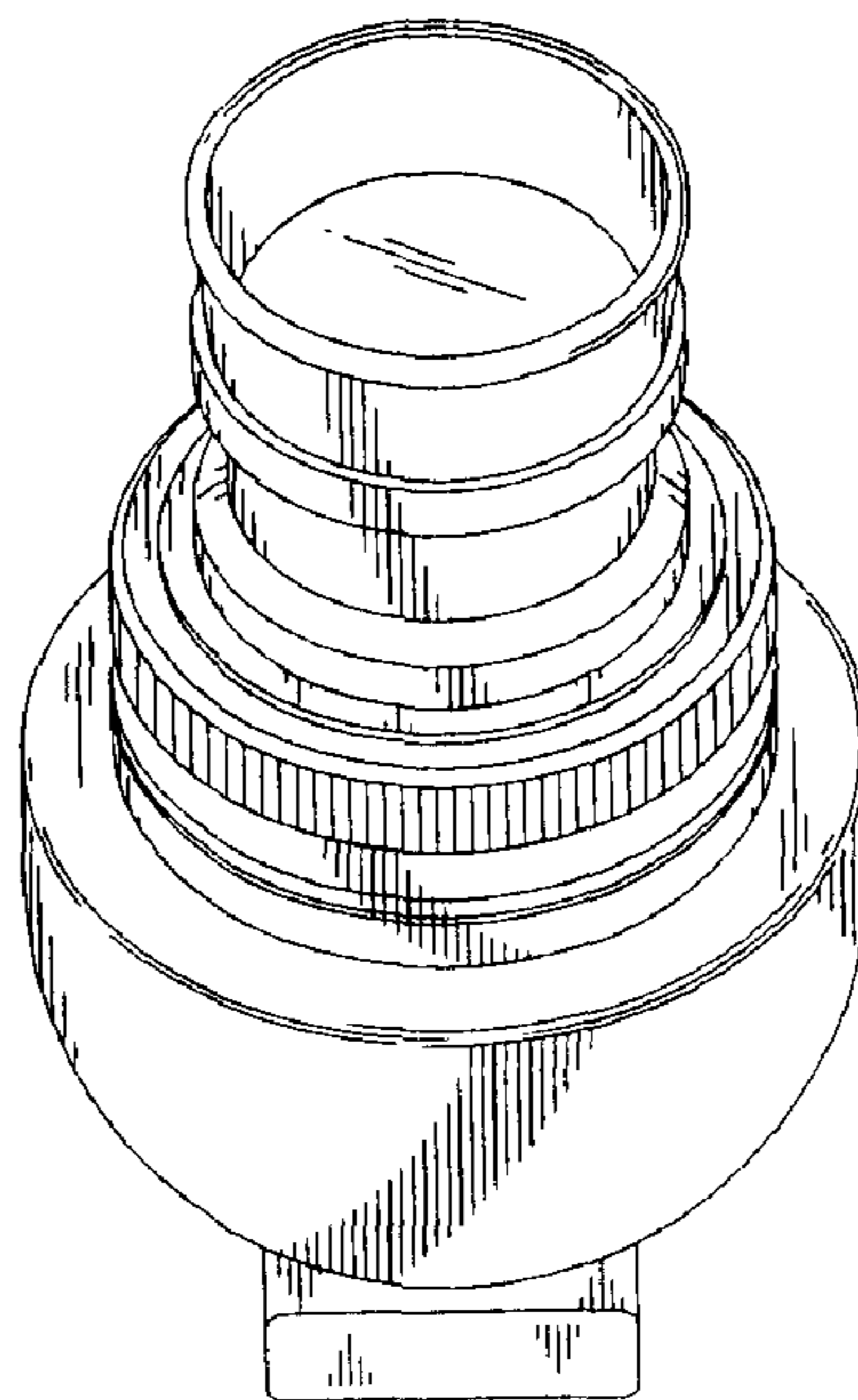


FIG. 3

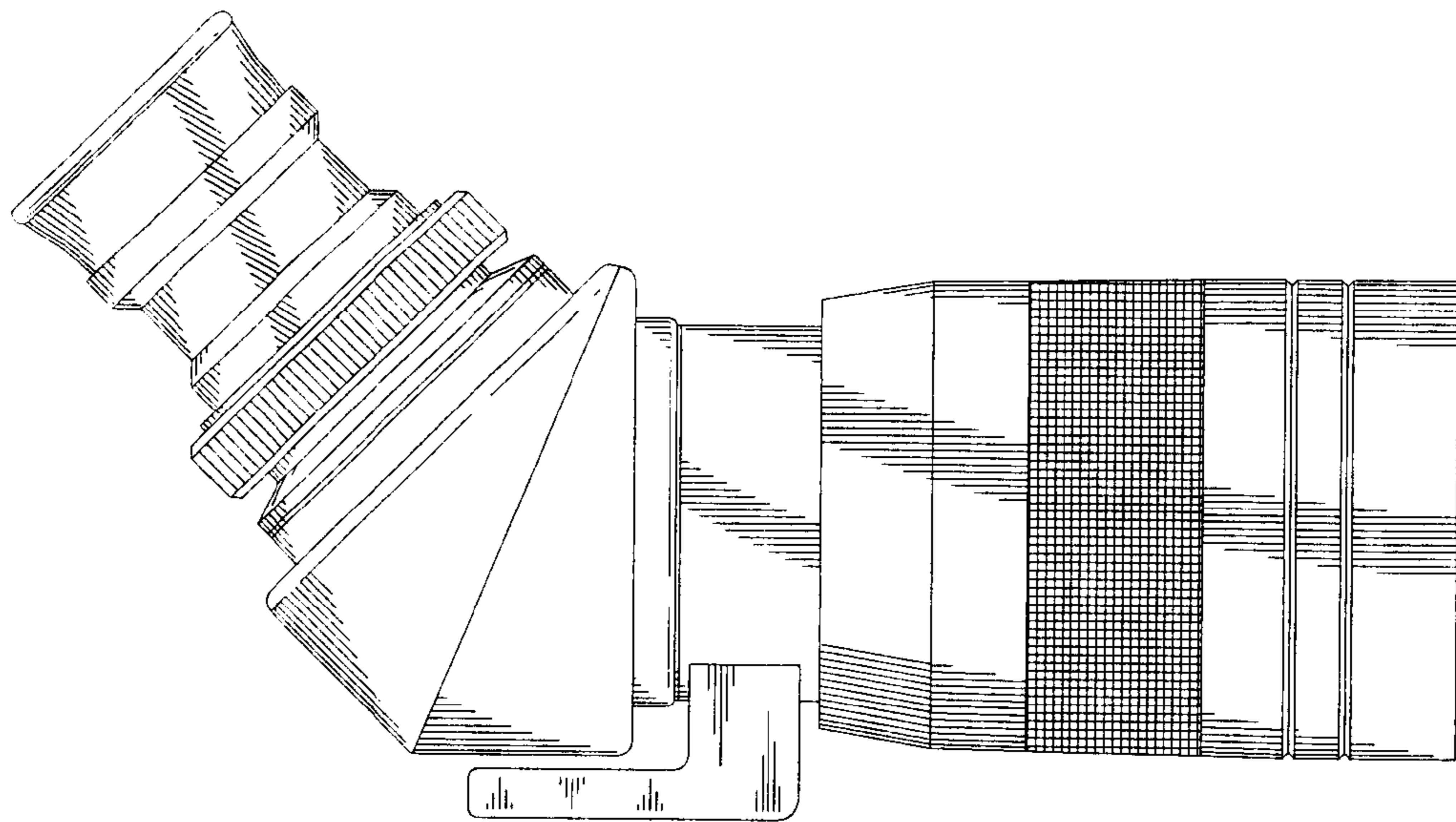


FIG. 4

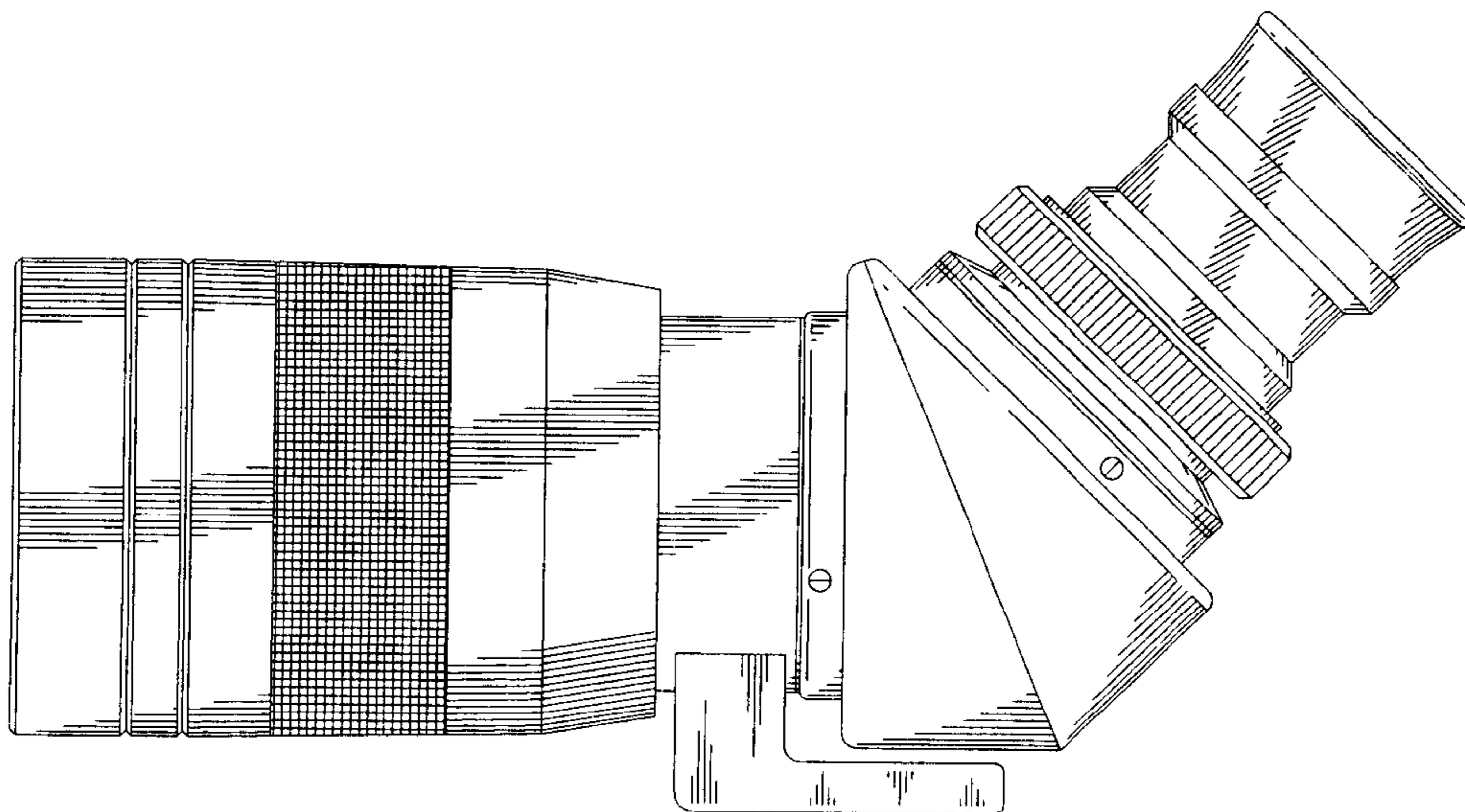


FIG. 5

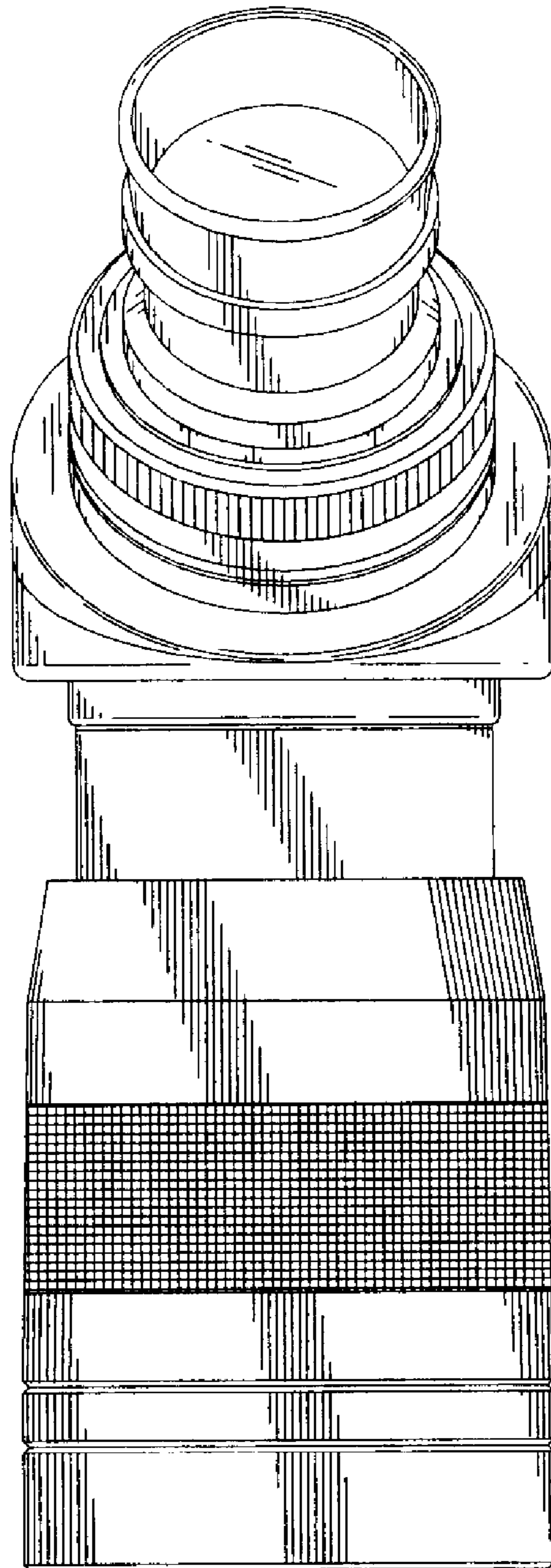


FIG. 6

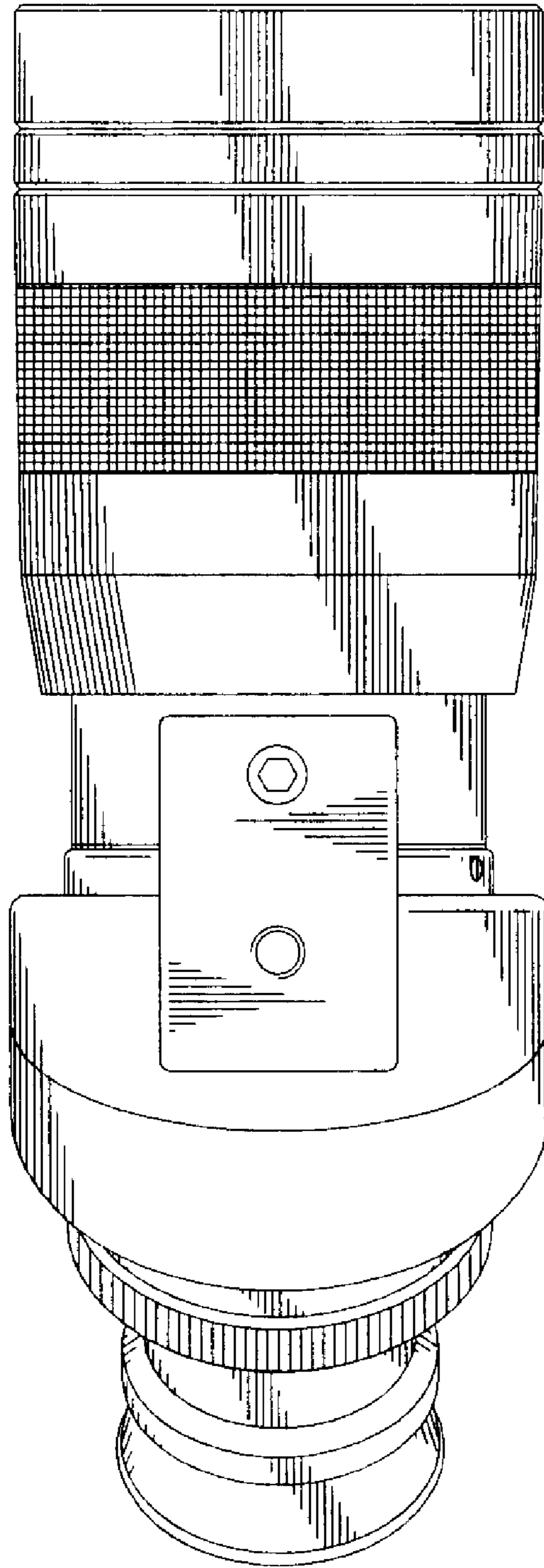


FIG. 7