

US00D513273S

(12) **United States Design Patent**
Sollami

(10) **Patent No.:** **US D513,273 S**
(45) **Date of Patent:** **** Dec. 27, 2005**

(54) **DRILL BIT BLADE**
(76) Inventor: **Jimmie L. Sollami**, 1017 Weaver Rd.,
Herrin, IL (US) 62948
(**) Term: **14 Years**
(21) Appl. No.: **29/217,271**
(22) Filed: **Nov. 15, 2004**

Related U.S. Application Data

(63) Continuation-in-part of application No. 10/264,121, filed on
Oct. 3, 2002, now Pat. No. 6,817,429.
(51) **LOC (6) Cl.** **15-09**
(52) **U.S. Cl.** **D15/139**
(58) **Field of Search** D15/138, 139;
175/420.1, 420.2, 426-435

5,429,199 A 7/1995 Sheirer et al.
5,458,210 A 10/1995 Sollami
5,628,376 A 5/1997 Kleine
5,630,478 A 5/1997 Schimke
5,735,648 A * 4/1998 Kleine 175/420.1
5,829,540 A * 11/1998 Peay et al. 175/420.1
5,996,715 A 12/1999 Peay et al.
6,026,918 A 2/2000 Briese
6,044,919 A 4/2000 Briese
D424,579 S 5/2000 Brady
D430,578 S 9/2000 Brady
6,145,606 A 11/2000 Haga
6,260,637 B1 * 7/2001 Haussmann et al. 175/420.1
6,260,638 B1 7/2001 Massa et al.
6,297,542 B1 7/2001 Salmon
6,328,506 B1 * 12/2001 Turner et al. 175/420.1
6,446,741 B1 * 9/2002 Kersten et al. 175/420.1
6,454,029 B1 * 9/2002 Loots et al. 175/420.1
6,817,429 B2 * 11/2004 Sollami 175/420.1

* cited by examiner

Primary Examiner—Antoine D. Davis
(74) *Attorney, Agent, or Firm*—Pitts and Brittan, P.C.

(56) **References Cited**

U.S. PATENT DOCUMENTS

2,707,619 A 5/1955 Andersson
2,902,260 A 9/1959 Tilden
3,447,616 A 6/1969 Granat
4,314,616 A 2/1982 Rauckhorst et al.
4,342,368 A * 8/1982 Denman 175/420.1
4,489,796 A 12/1984 Sanchez et al.
4,550,791 A 11/1985 Isakov
4,787,464 A 11/1988 Ojanen
5,184,689 A 2/1993 Sheirer et al.
D340,248 S 10/1993 Brady
5,269,387 A 12/1993 Nance
5,287,937 A * 2/1994 Sollami et al. 175/420.1
5,297,643 A 3/1994 Montgomery, Jr. et al.
5,311,959 A 5/1994 Adams
D351,174 S 10/1994 Brady
5,375,672 A * 12/1994 Peay et al. 175/420.1

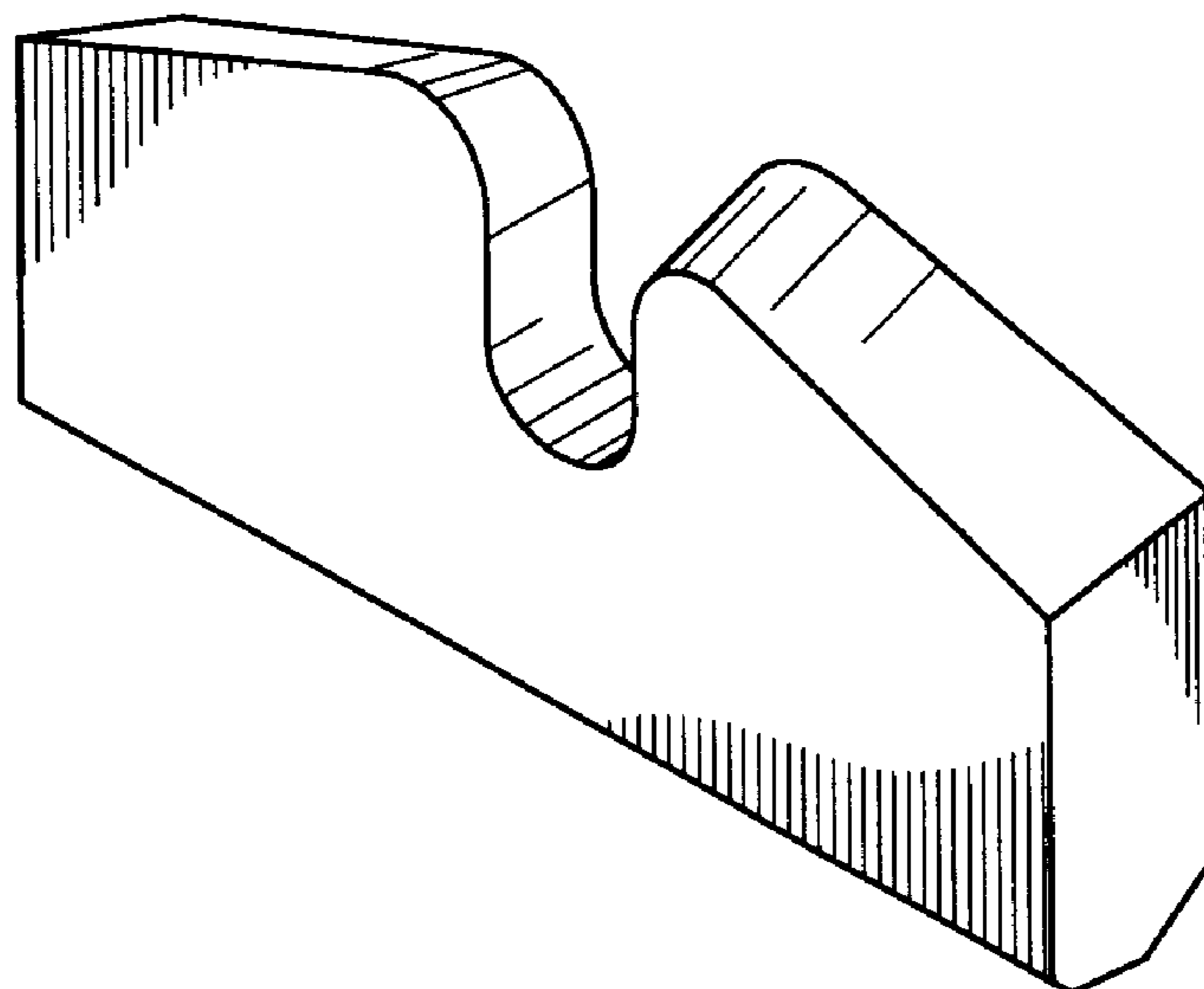
(57) **CLAIM**

The ornamental design for a drill bit blade, as shown and described.

DESCRIPTION

FIG. 1 is a perspective illustration of the drill bit blade of the present invention;
FIG. 2 is a front elevation view of the drill bit blade of FIG. 1, the rear elevation view being a mirror image;
FIG. 3 is a left end elevation view of the drill bit blade of FIG. 1, the right end elevation being a mirror image;
FIG. 4 is a top plan view of the drill bit blade of FIG. 1; and,
FIG. 5 is a bottom plan view of the drill bit blade of FIG. 1.

1 Claim, 2 Drawing Sheets



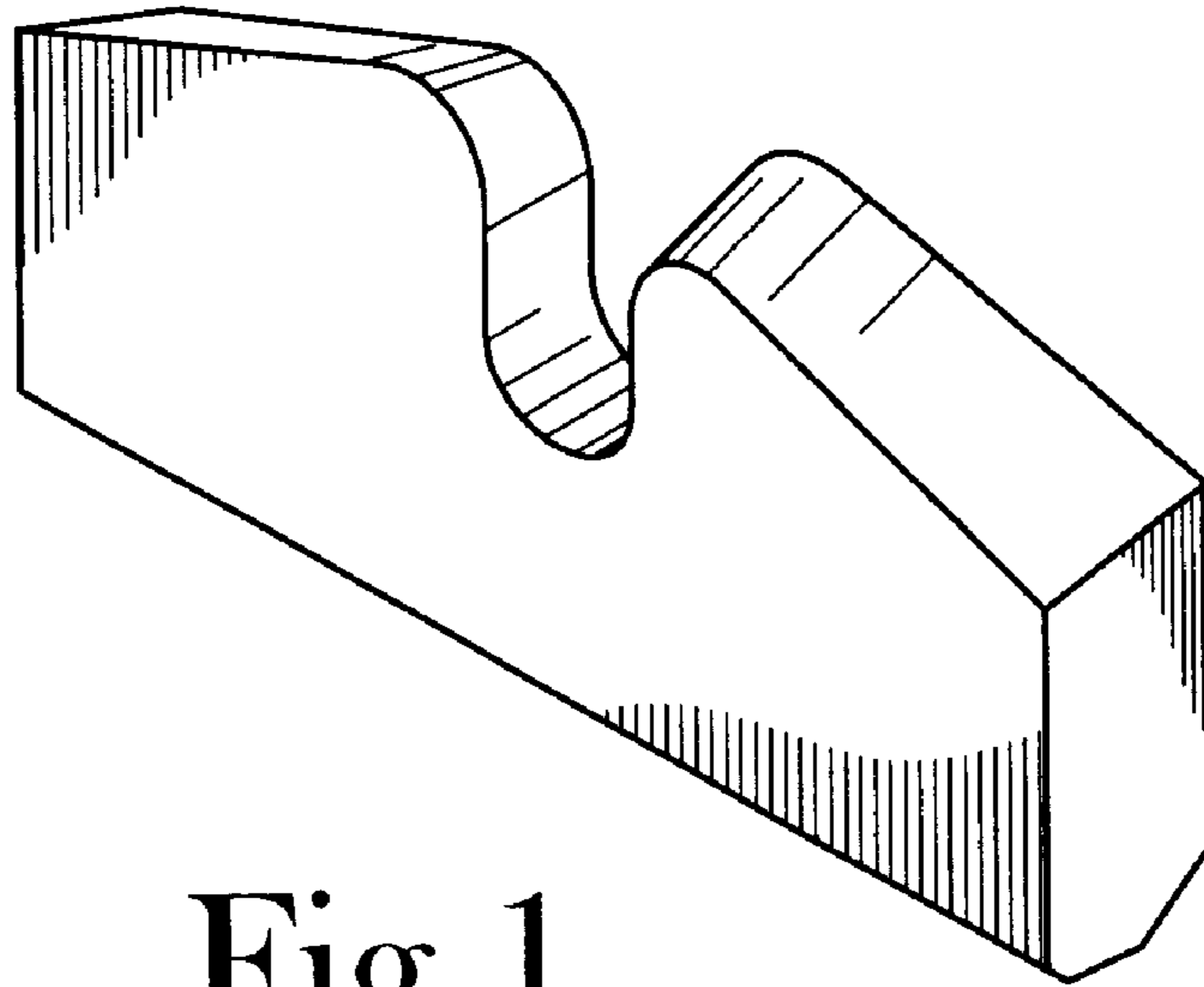


Fig. 1

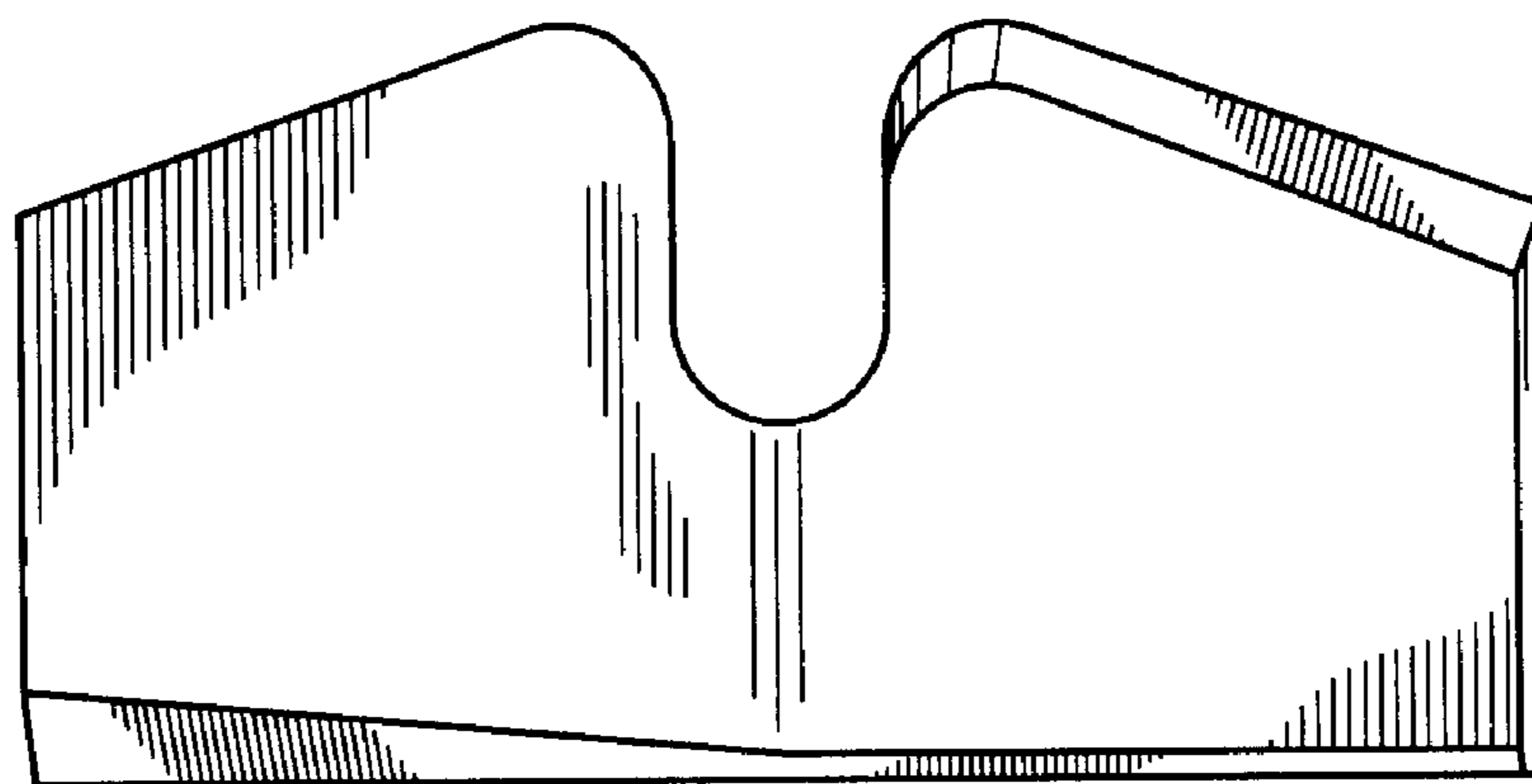


Fig. 2

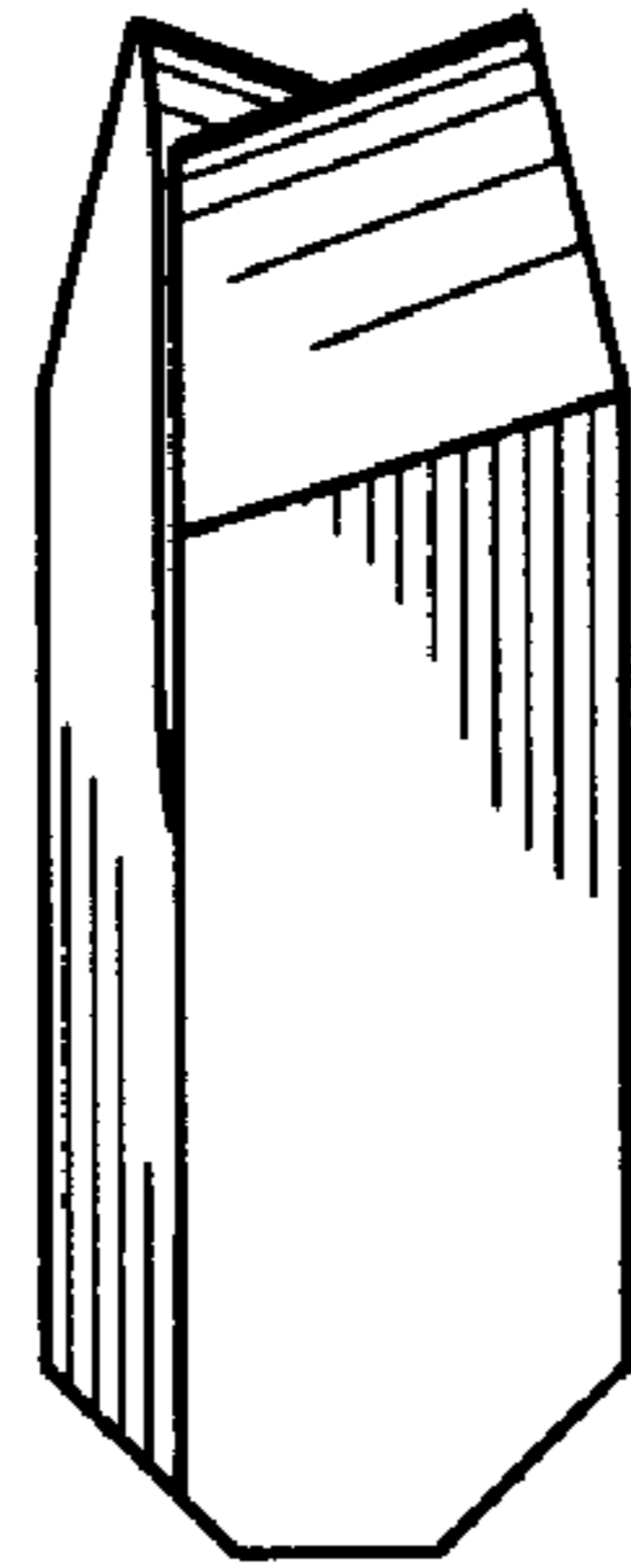


Fig. 3

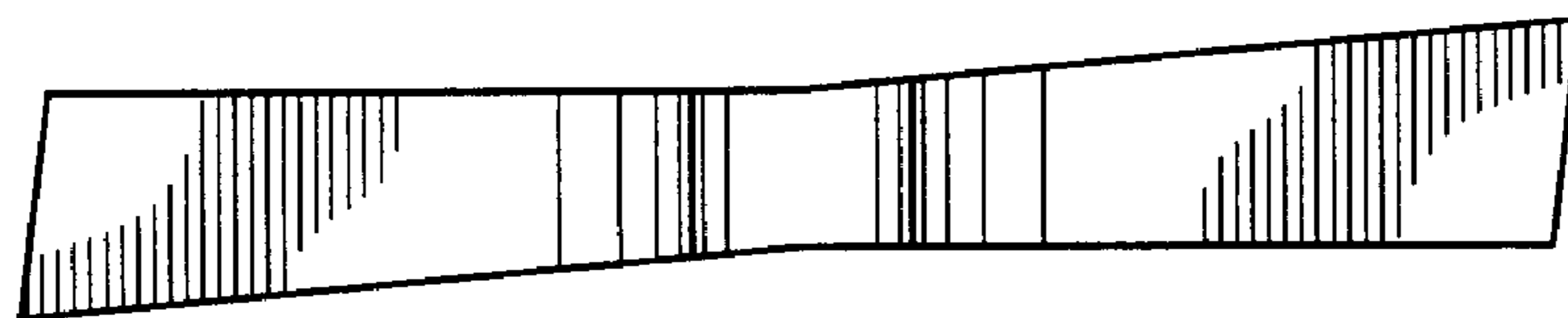


Fig. 4

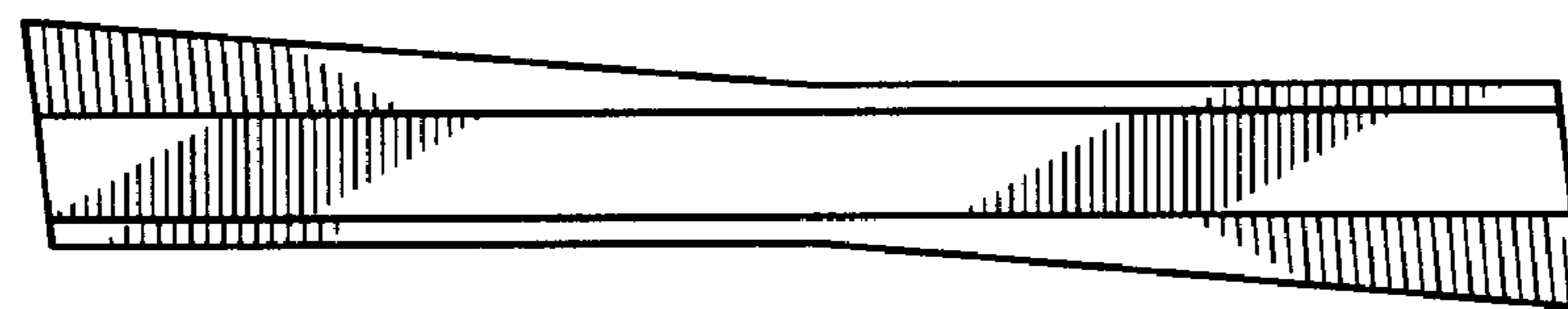


Fig. 5